



US00D874207S

(12) **United States Design Patent**  
**Chang**

(10) **Patent No.:** **US D874,207 S**

(45) **Date of Patent:** **\*\* Feb. 4, 2020**

(54) **TEAPOT**

(71) Applicant: **INHESION GROUP LIMITED**, Tsuen Wan (HK)

(72) Inventor: **Desmond Chang**, Tsuen Wan (HK)

(73) Assignee: **INHESION GROUP LIMITED**, Tsuen Wan (HK)

(\*\*) Term: **15 Years**

(21) Appl. No.: **29/668,697**

(22) Filed: **Nov. 1, 2018**

(30) **Foreign Application Priority Data**

Jun. 22, 2018 (CN) ..... 2018 3 0323729

(51) **LOC (12) Cl.** ..... **07-01**

(52) **U.S. Cl.**  
USPC ..... **D7/321**

(58) **Field of Classification Search**  
USPC ..... D7/598, 312, 317, 316, 320, 302, 321,  
D7/322; D11/153, 146  
CPC ..... A47G 19/12; B67D 3/047; A47J 31/14  
See application file for complete search history.

(56) **References Cited**

**U.S. PATENT DOCUMENTS**

D355,563 S \* 2/1995 Lebowitz ..... D7/321  
D486,989 S \* 2/2004 Bodum ..... D7/312  
D495,193 S \* 8/2004 Moore ..... D7/312

D502,356 S \* 3/2005 Smaldone ..... D7/321  
D525,071 S \* 7/2006 Lebowitz ..... D7/312  
D541,574 S \* 5/2007 Henderson ..... D7/312  
D552,404 S \* 10/2007 Bodum ..... D7/312  
D558,509 S \* 1/2008 Bodum ..... D7/312  
D558,510 S \* 1/2008 Bodum ..... D7/312  
D560,091 S \* 1/2008 Bodum ..... A47G 19/12  
D7/312  
D568,087 S \* 5/2008 Frank ..... D7/312  
D573,397 S \* 7/2008 Smaldone ..... D7/321  
D589,292 S \* 3/2009 Thurlow ..... B65D 23/06  
D7/312  
D640,495 S \* 6/2011 Blacken ..... D7/321  
D651,033 S \* 12/2011 Creech ..... D7/312  
D675,474 S \* 2/2013 de Klein ..... D7/320  
D679,537 S \* 4/2013 Muspratt-Williams ..... D7/317

\* cited by examiner

*Primary Examiner* — Marianne N Pandozzi

(74) *Attorney, Agent, or Firm* — Tarolli, Sundheim, Covell & Tummino LLP

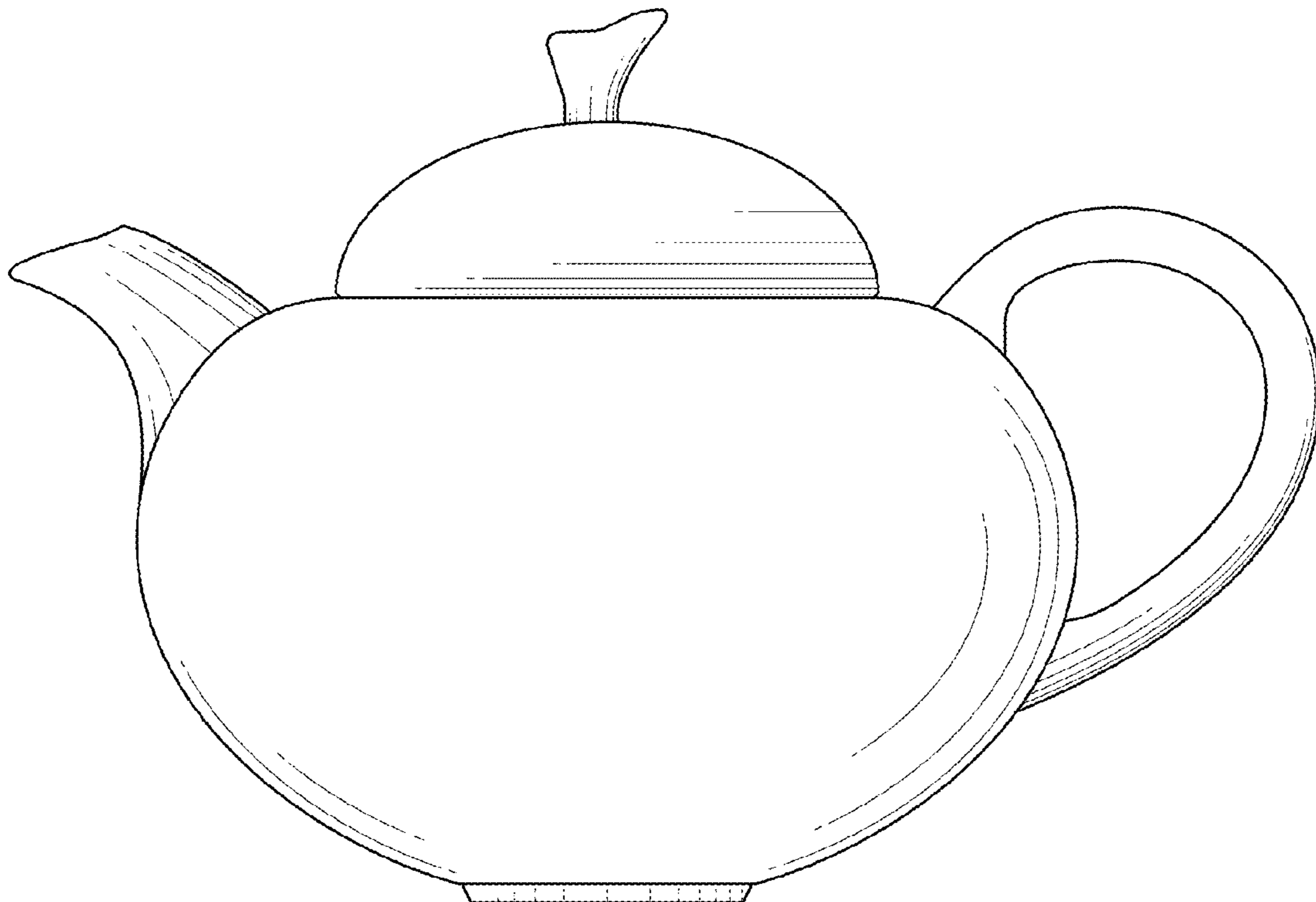
(57) **CLAIM**

The ornamental design for a teapot, as shown and described.

**DESCRIPTION**

FIG. 1 is a front perspective view of a teapot showing my new design;  
FIG. 2 is a side view thereof;  
FIG. 3 is a top view thereof;  
FIG. 4 is a rear view thereof;  
FIG. 5 is a front view thereof; and,  
FIG. 6 is a bottom view thereof.

**1 Claim, 4 Drawing Sheets**



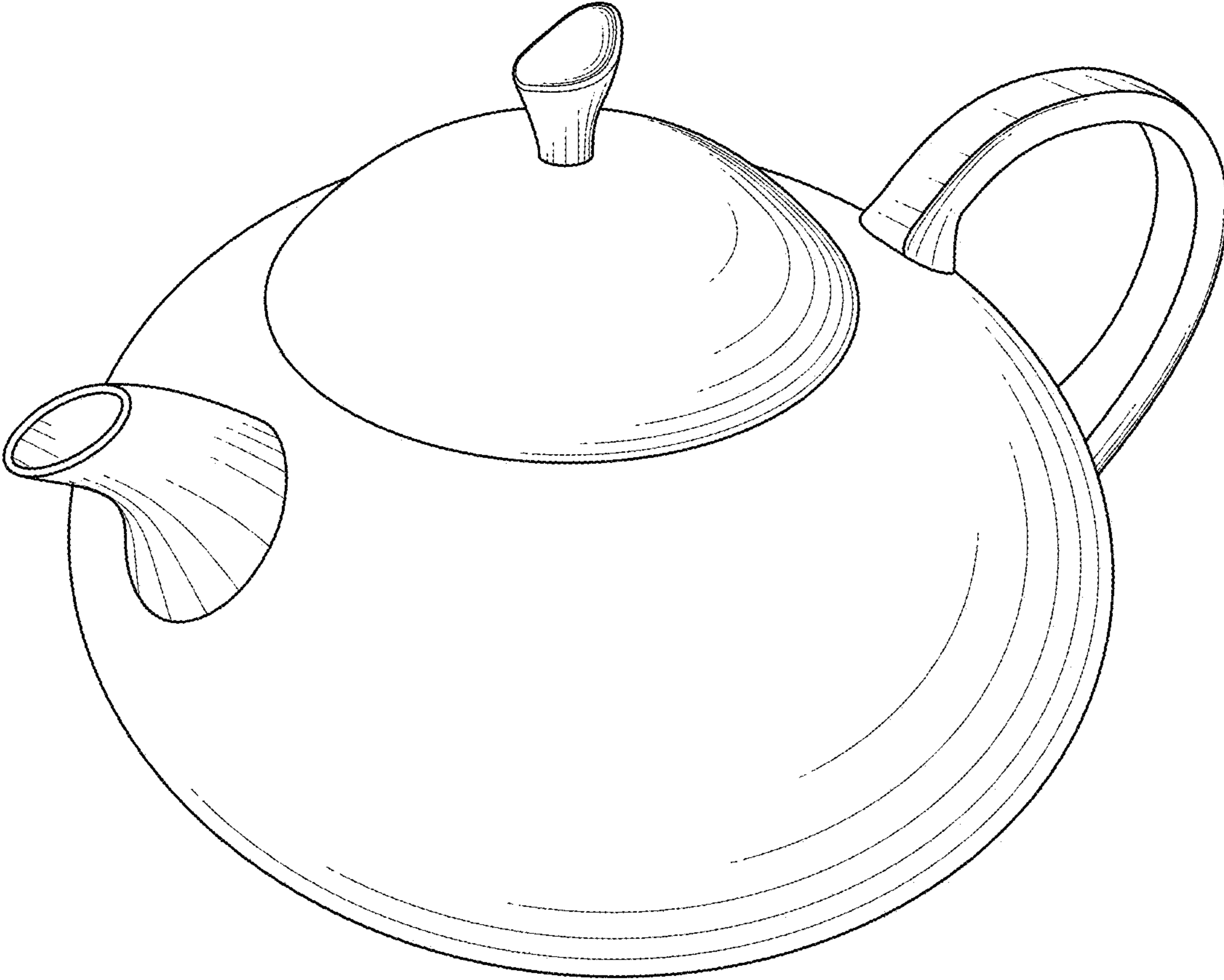


FIG. 1

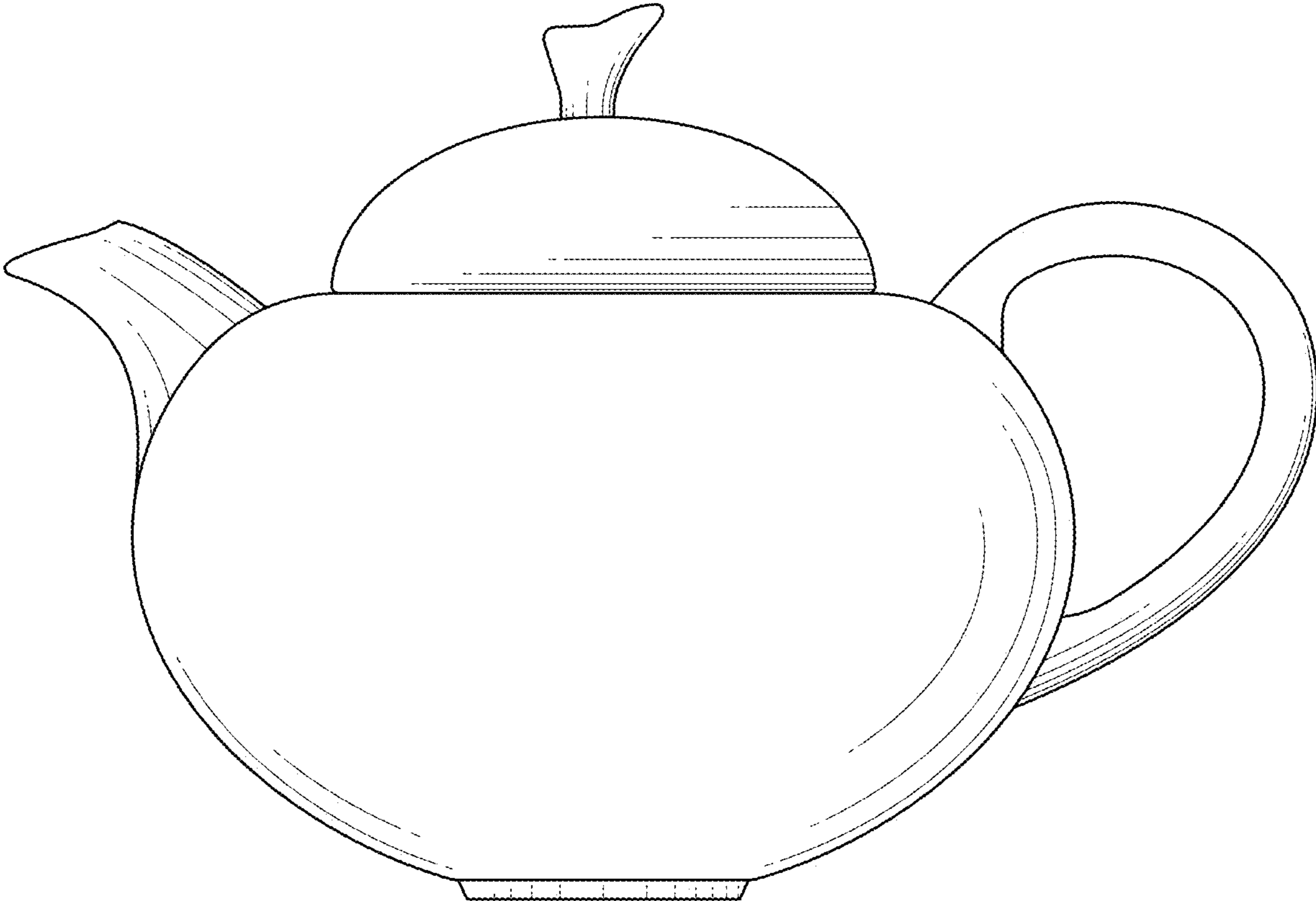


FIG. 2

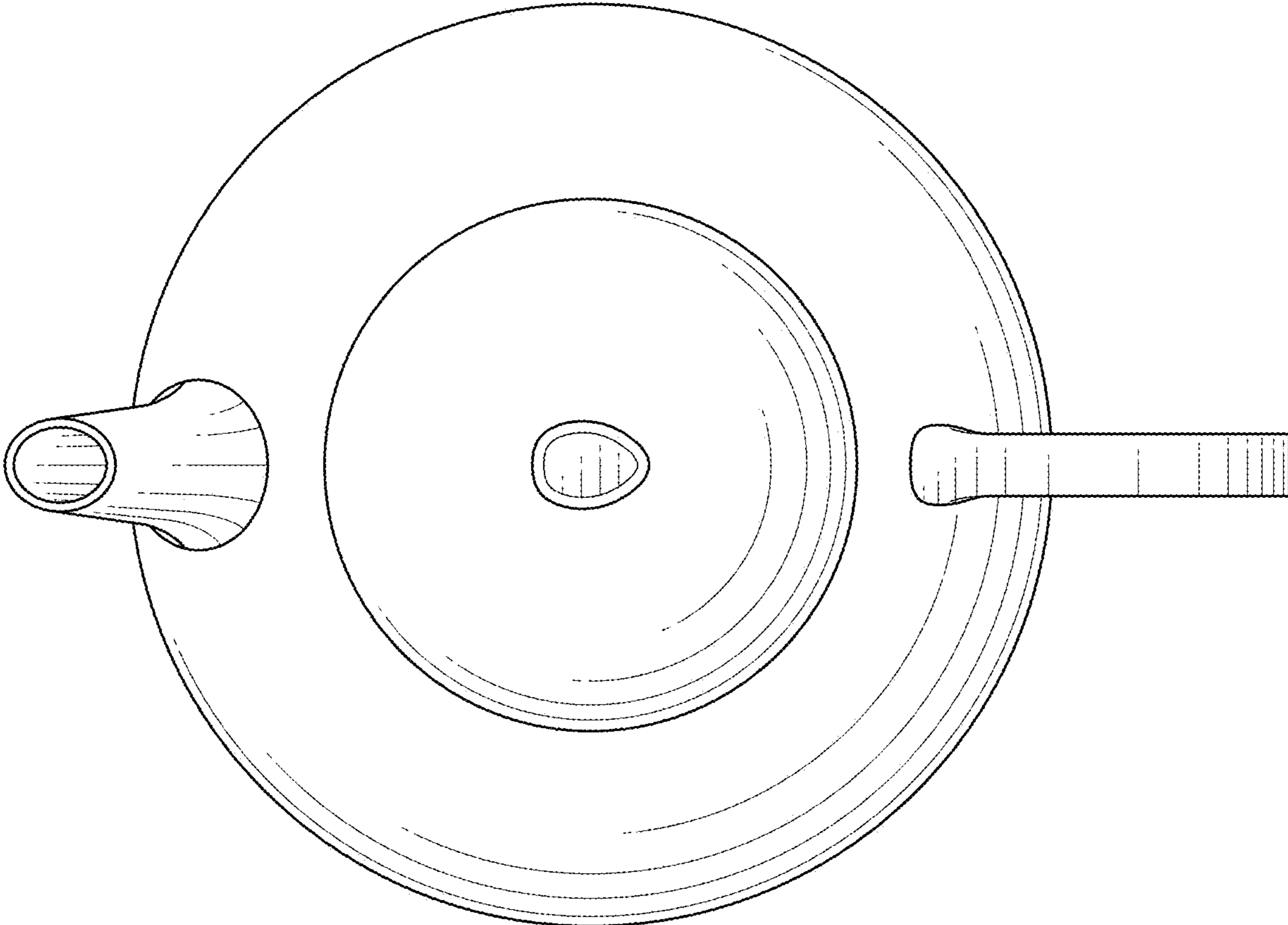


FIG. 3

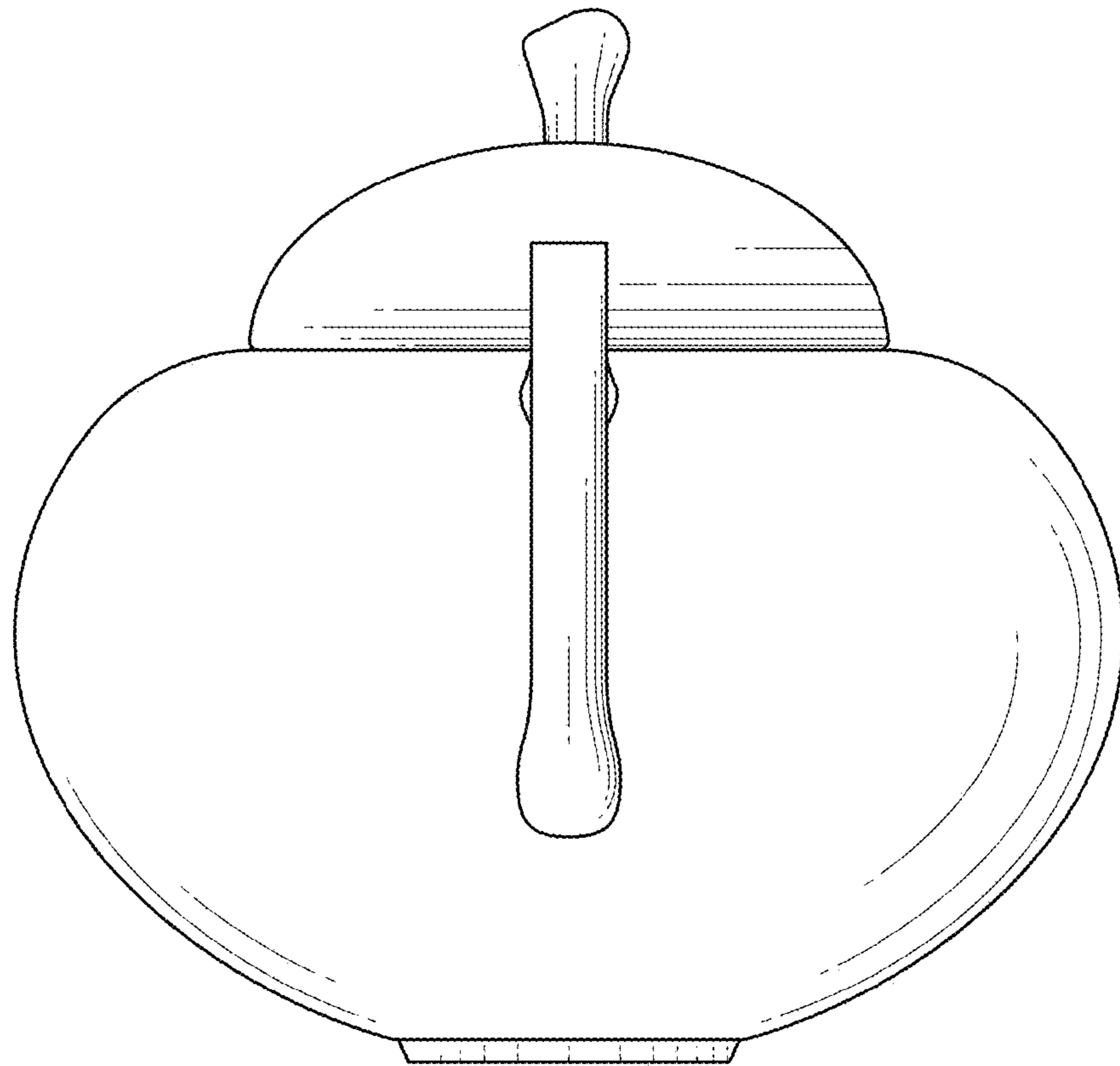


FIG. 4

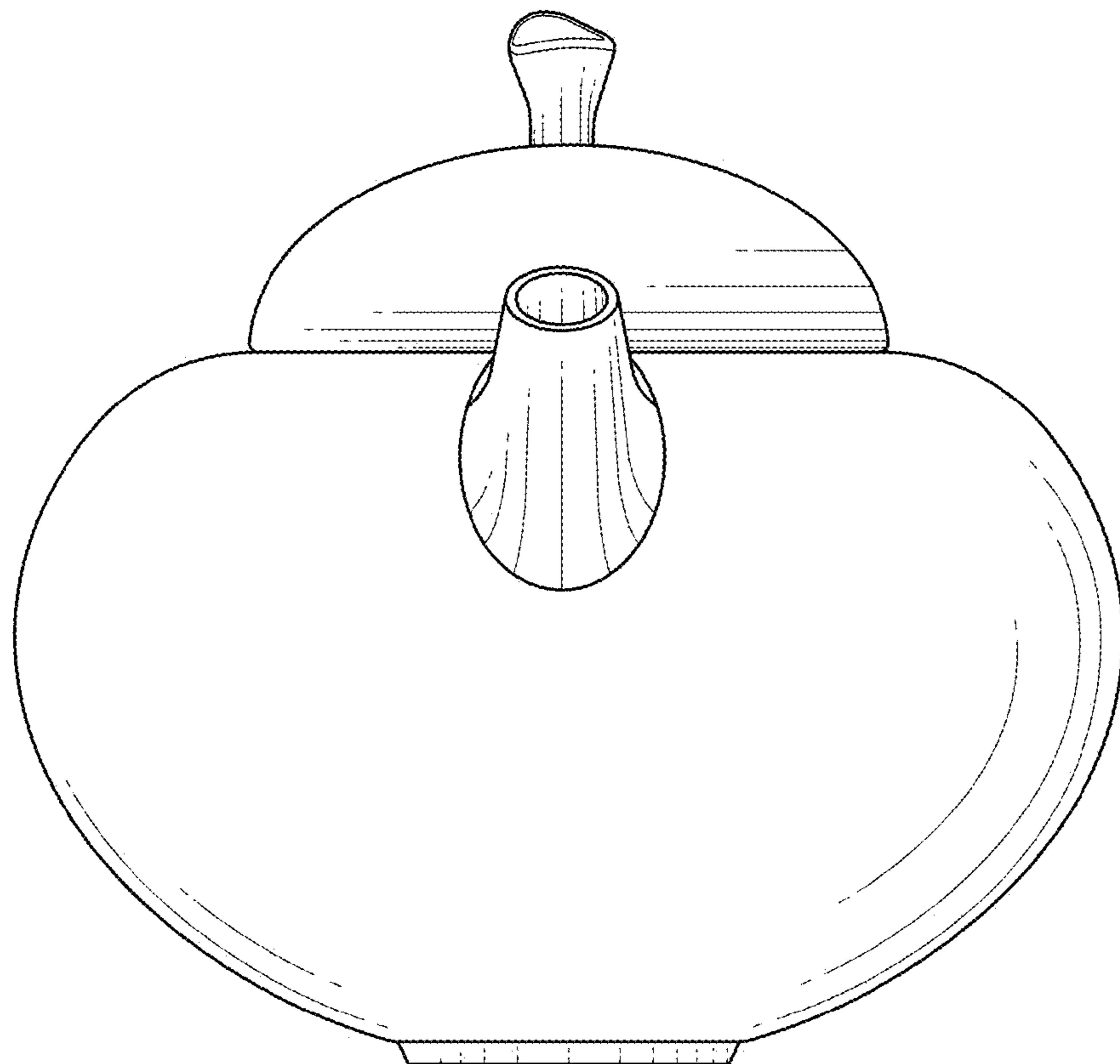


FIG. 5

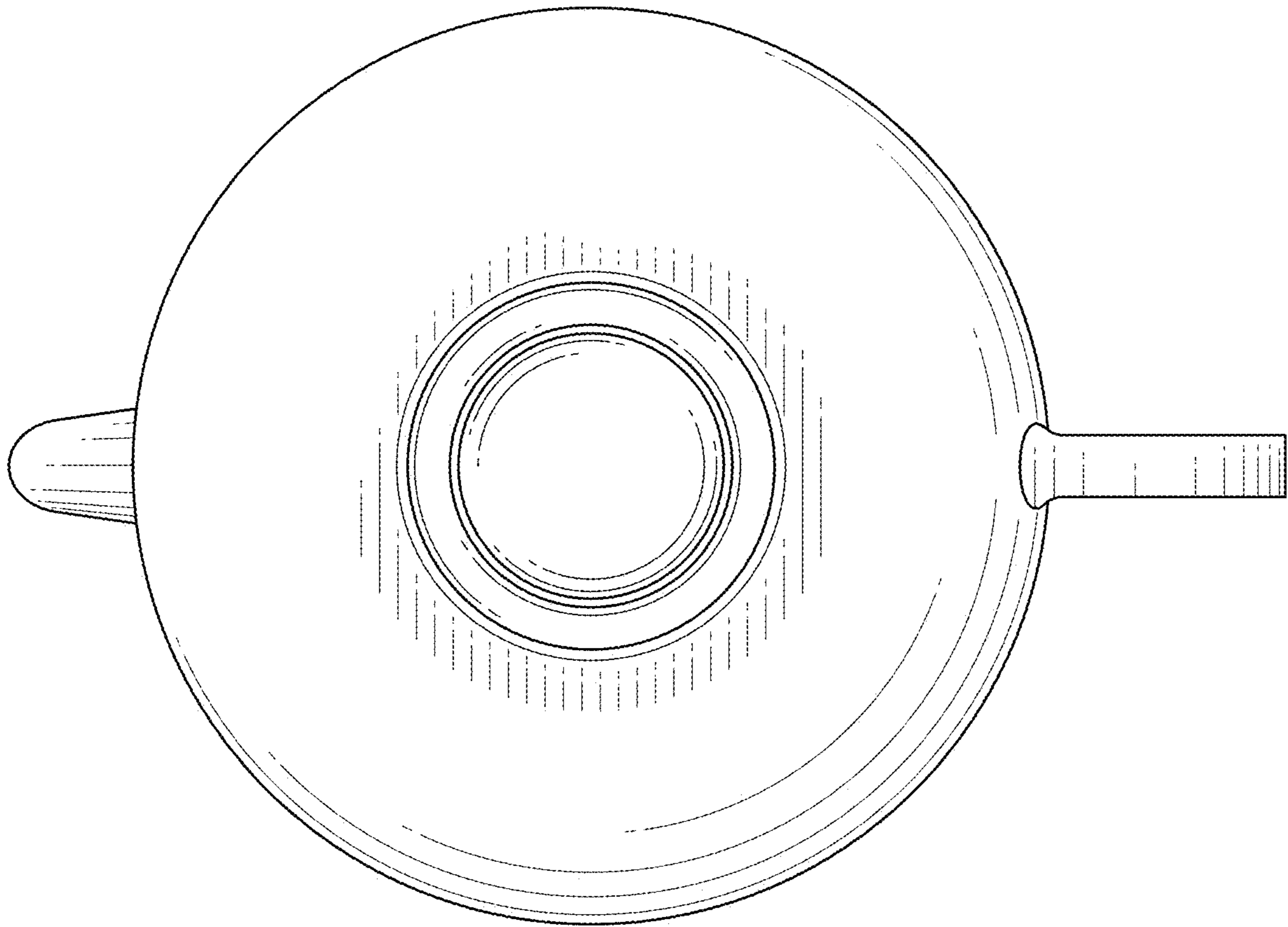


FIG. 6