



US00D874206S

(12) **United States Design Patent** (10) **Patent No.:** **US D874,206 S**
Shir (45) **Date of Patent:** **** Feb. 4, 2020**

(54) **BEVERAGE DISPENSER**
(71) Applicant: **Michael Shir**, Los Angeles, CA (US)
(72) Inventor: **Michael Shir**, Los Angeles, CA (US)
(**) Term: **15 Years**
(21) Appl. No.: **29/662,190**
(22) Filed: **Sep. 4, 2018**
(51) **LOC (12) Cl.** **07-01**
(52) **U.S. Cl.**
USPC **D7/321; D7/312; D23/212**
(58) **Field of Classification Search**
USPC D7/316, 317, 318, 319, 303, 302, 312,
D7/322, 321, 600; D10/46.2; D9/524,
D9/526, 527; 222/573; D23/212, 211.2
CPC . B65D 23/06; B65D 47/06; B67D 1/16; A47J
31/106
See application file for complete search history.

D497,775 S * 11/2004 Tung D7/318
D553,898 S * 10/2007 De' Longhi D7/312
D603,647 S * 11/2009 Bodum D7/317
D718,974 S * 12/2014 De'Longhi D7/317
D731,226 S * 6/2015 Sun D7/316
D796,888 S * 9/2017 Miller D23/212
D828,070 S * 9/2018 Wastney D7/321
2006/0043124 A1* 3/2006 Naden A47J 27/21191
222/465.1
2006/0231715 A1* 10/2006 Yang F16M 13/02
248/311.2
2008/0066625 A1* 3/2008 Huang A47J 27/212
99/342
2017/0105568 A1* 4/2017 Chen A47J 27/21191
2017/0280913 A1* 10/2017 Tseng A47J 27/21175
2018/0160847 A1* 6/2018 Miller A47J 27/21091
2019/0261808 A1* 8/2019 Lin A47J 31/02

* cited by examiner

Primary Examiner — Marianne N Pandozzi
(74) *Attorney, Agent, or Firm* — Che-Yang Chen; Law
Offices of Scott Warmuth

(56) **References Cited**
U.S. PATENT DOCUMENTS

D2,504 S * 11/1866 Hauk D23/211
95,948 A * 10/1869 Staples B65D 47/06
141/309
2,604,233 A * 7/1952 Murphrey A47G 19/14
222/144.5
2,714,476 A * 8/1955 Locke F16N 3/04
222/508
D216,599 S * 2/1970 Jacobson D7/321
D218,354 S * 8/1970 Kikuchi D7/317
D241,248 S * 8/1976 Burke D23/212
D248,917 S * 8/1978 Kikuchi D7/321
D273,183 S * 3/1984 Shane D11/157
D291,645 S * 9/1987 Bruno D7/321
D320,906 S * 10/1991 Unger D7/321

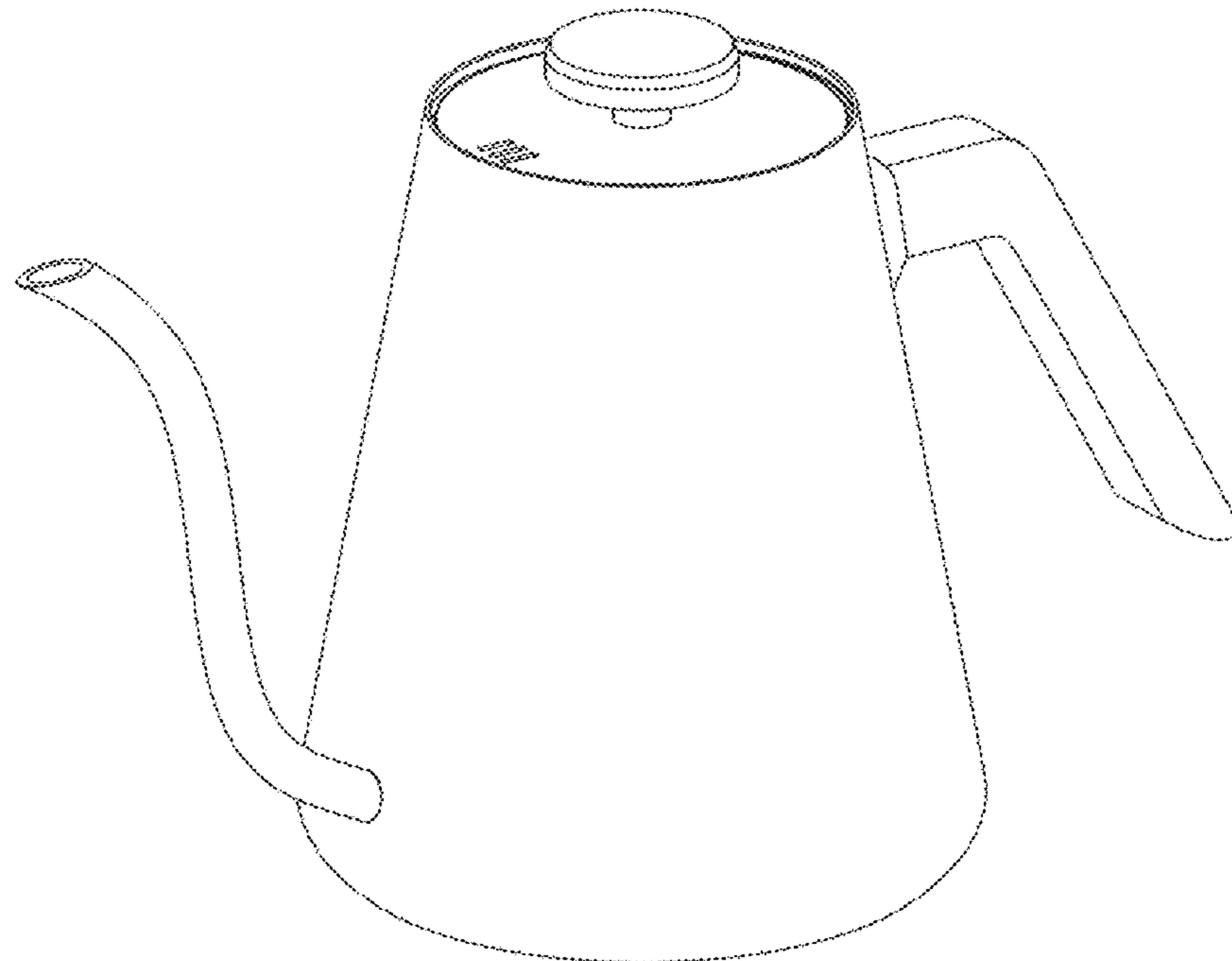
(57) **CLAIM**

The ornamental design for a beverage dispenser, as shown and described.

DESCRIPTION

FIG. 1 is a perspective view of an beverage dispenser showing my new design;
FIG. 2 is a front elevational view thereof;
FIG. 3 is a rear elevational view thereof;
FIG. 4 is a left side elevational view thereof;
FIG. 5 is a right side elevational view thereof;
FIG. 6 is a top plan view thereof; and,
FIG. 7 is a bottom plan view thereof.

1 Claim, 7 Drawing Sheets



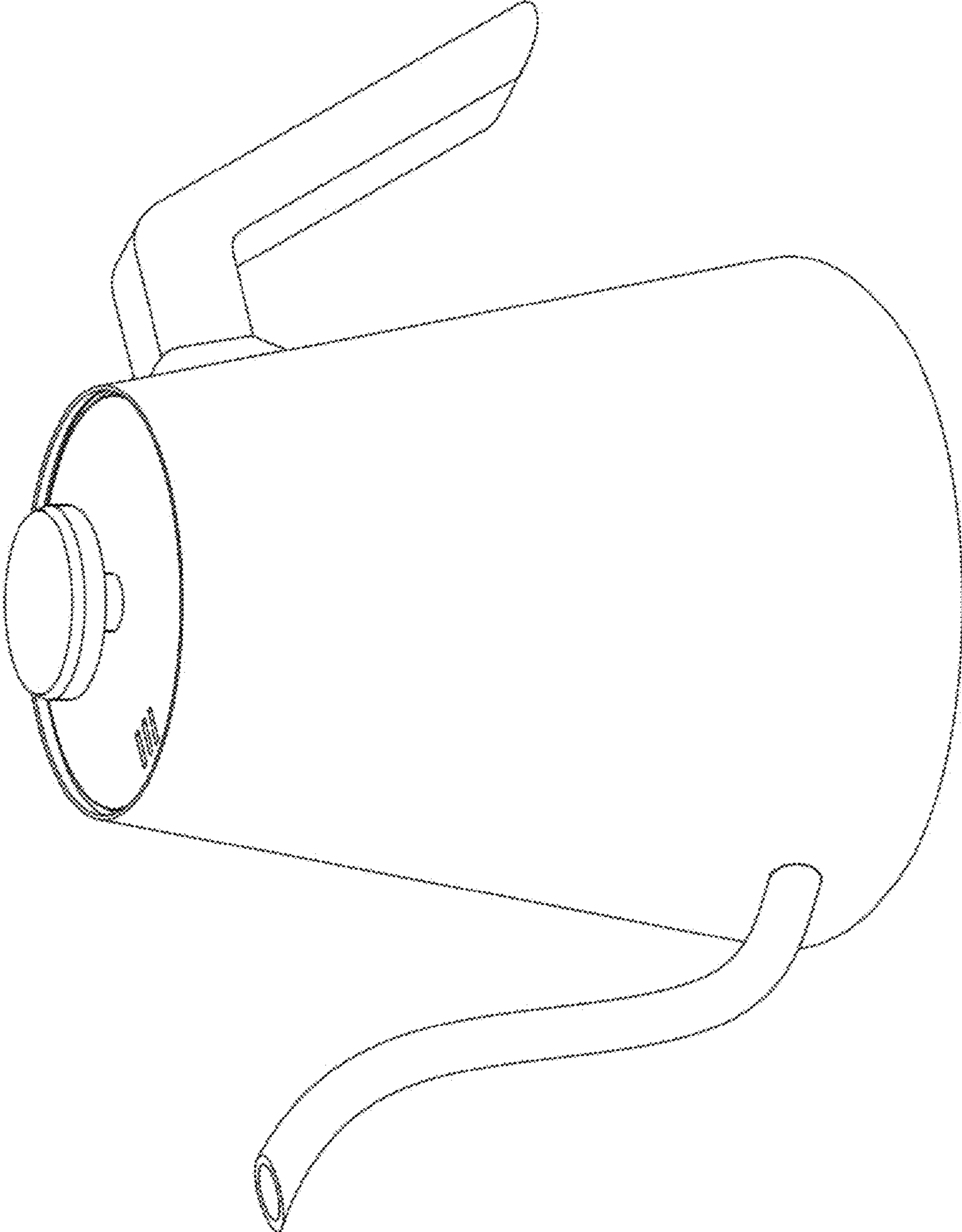


FIG. 1

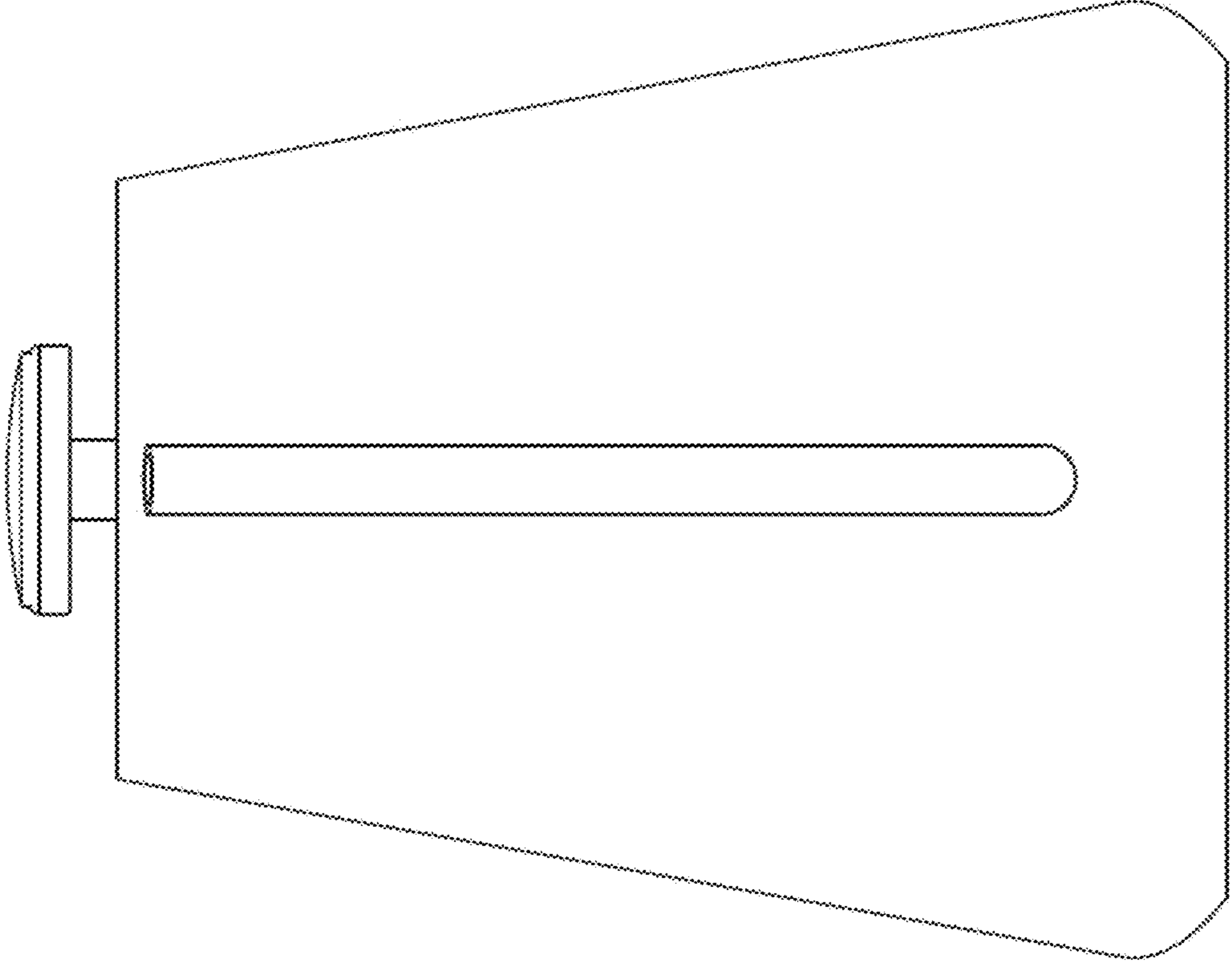


FIG. 2

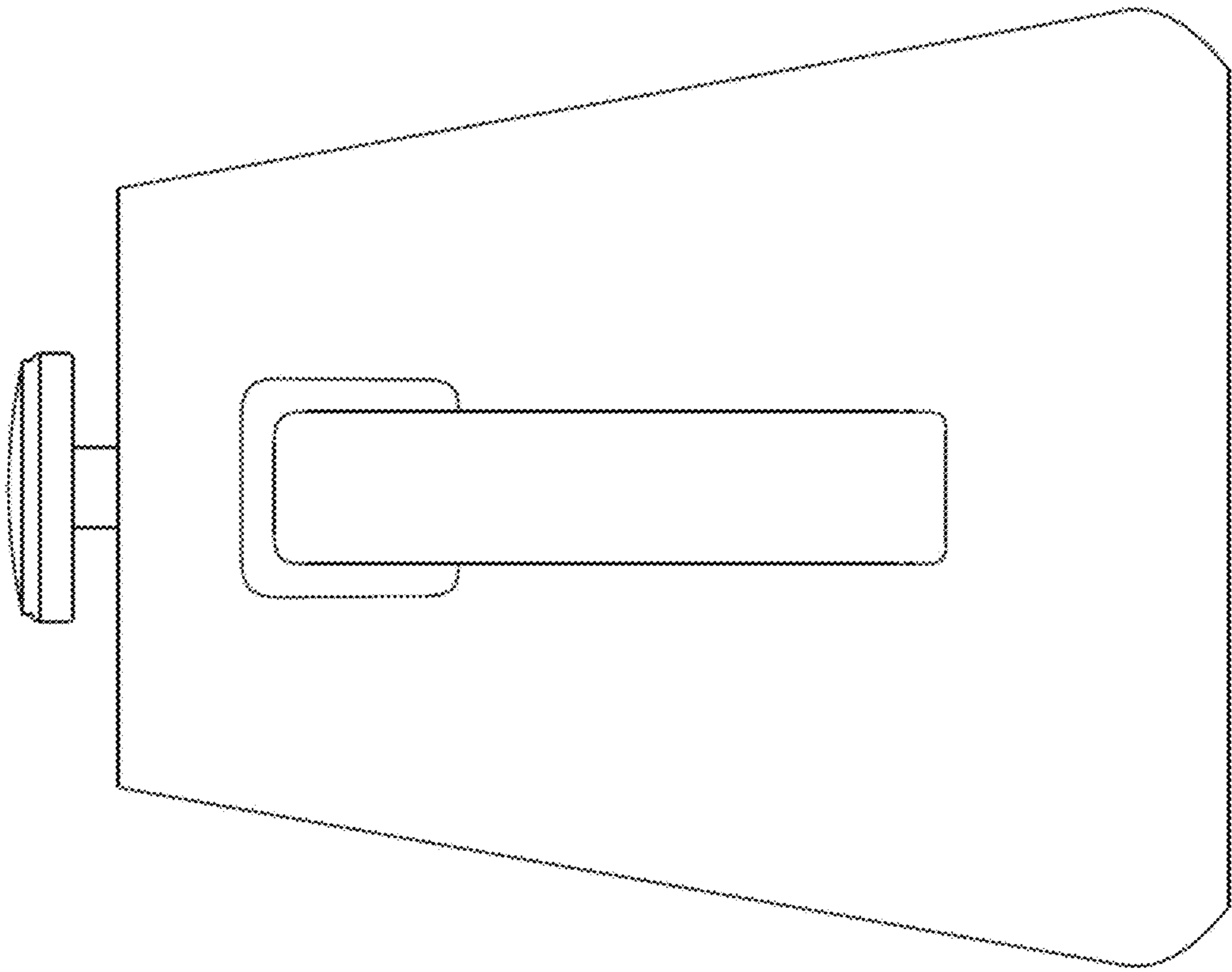


FIG. 3

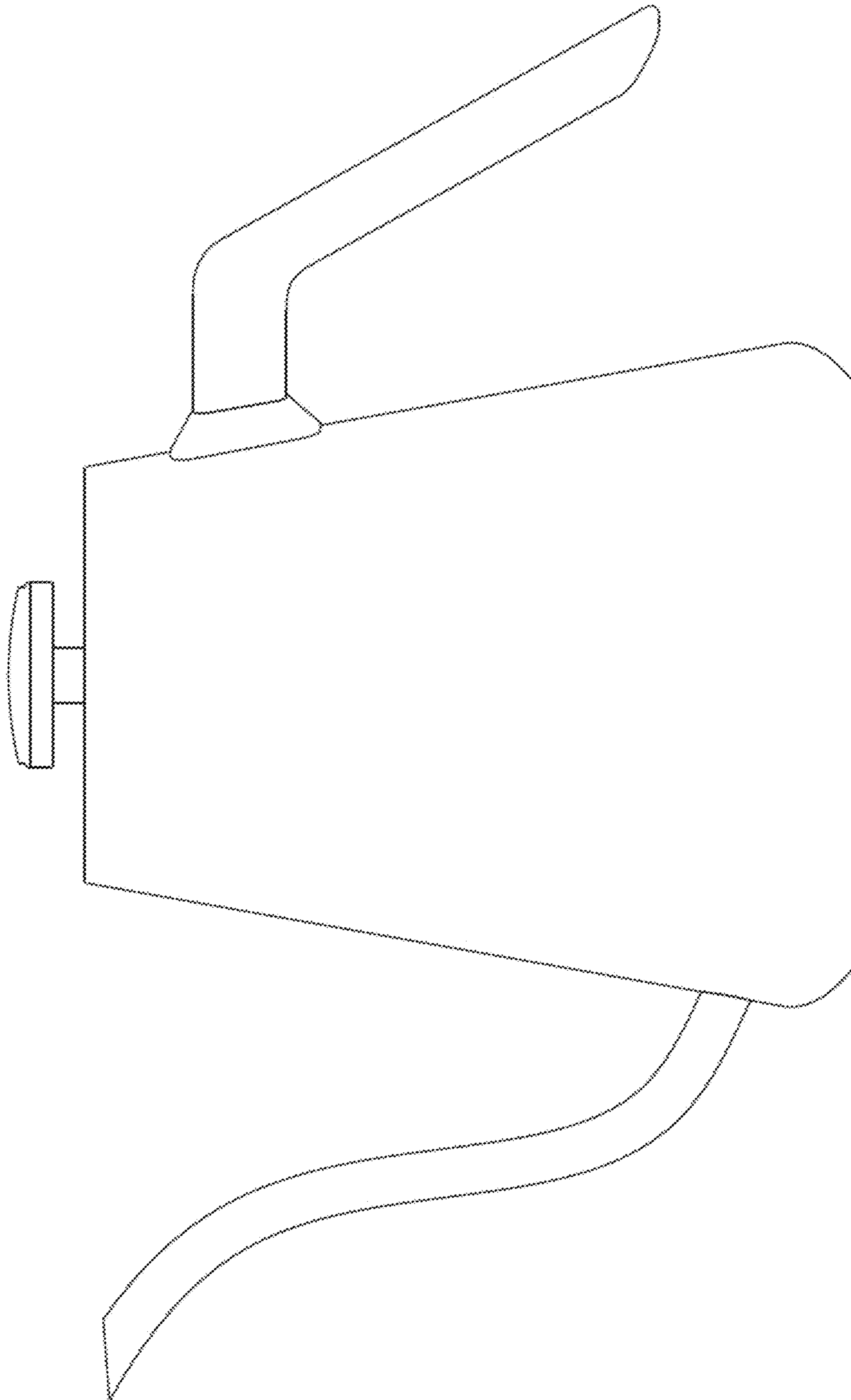


FIG. 4

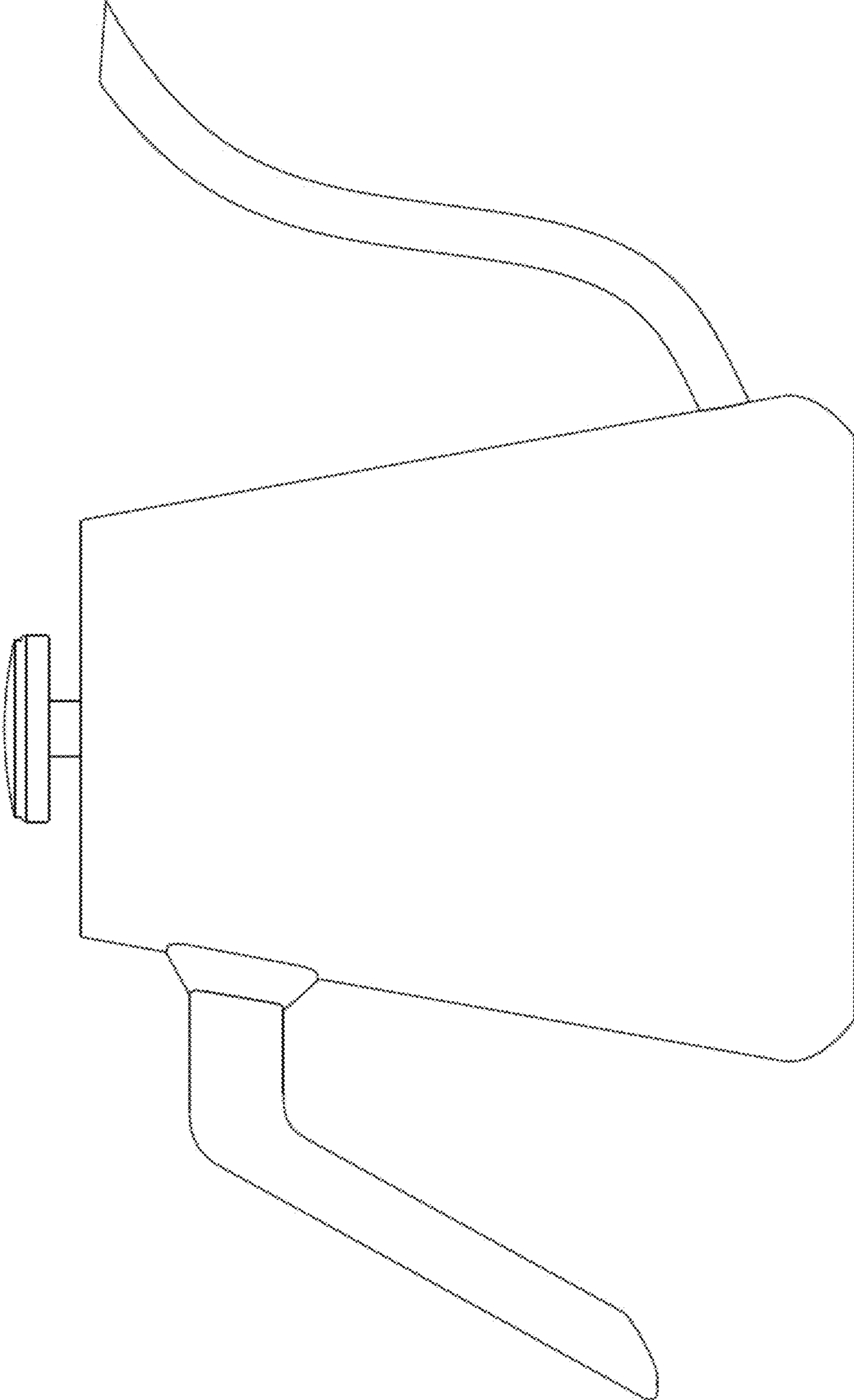


FIG. 5

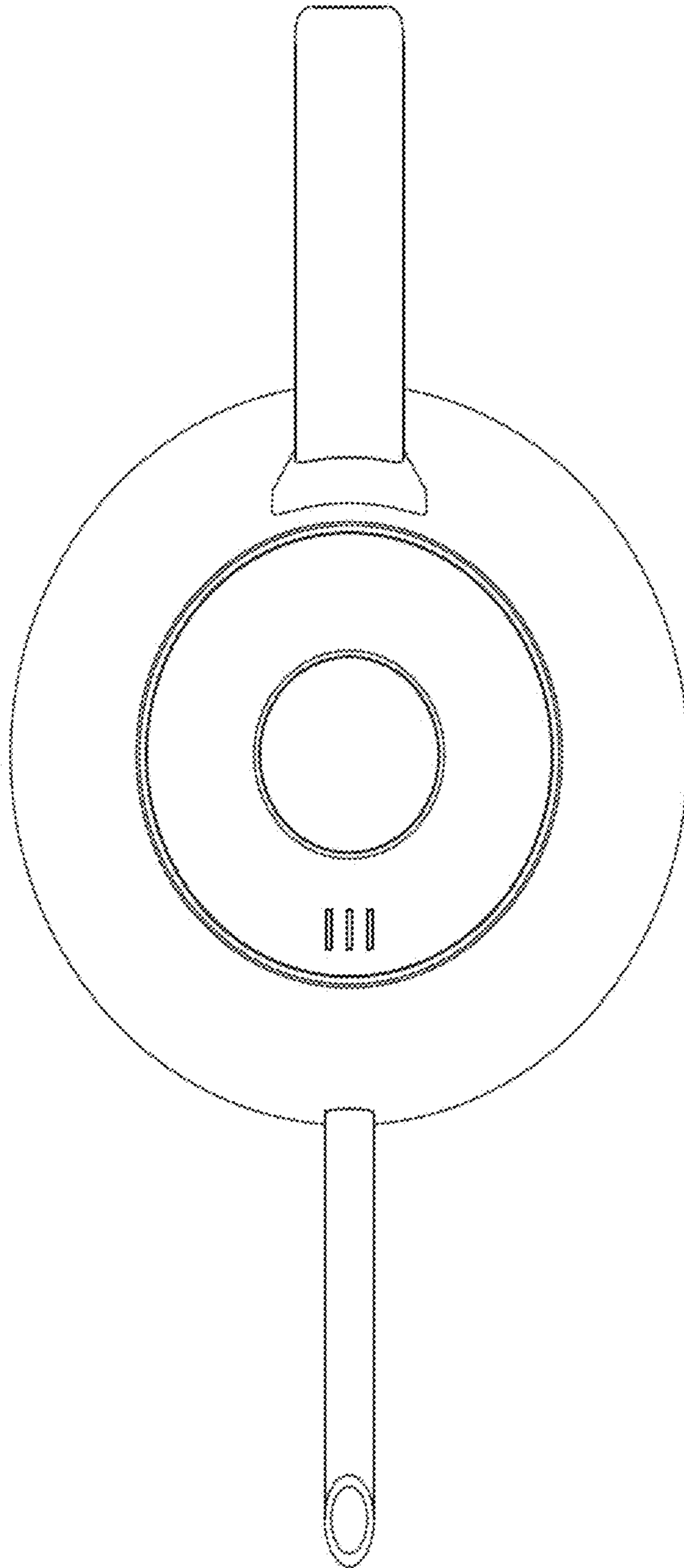


FIG. 6

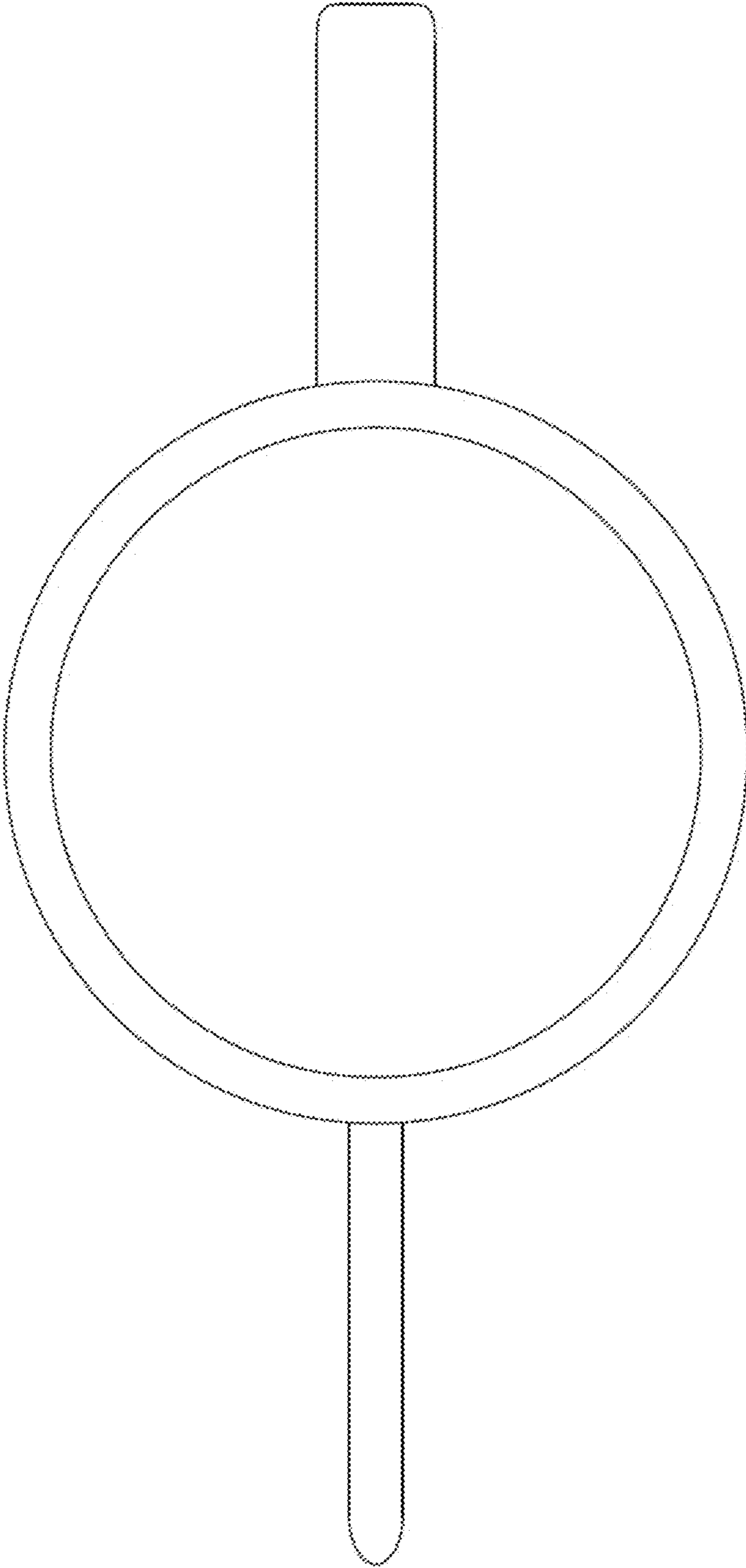


FIG. 7