



US00D874205S

(12) **United States Design Patent**
Duvall

(10) **Patent No.:** **US D874,205 S**

(45) **Date of Patent:** **** Feb. 4, 2020**

(54) **BEVERAGE BREWING MACHINE
EXTERNAL SURFACE BELT
CONFIGURATION**

(71) Applicant: **Gideon Williams Duvall**, Boca Raton,
FL (US)

(72) Inventor: **Gideon Williams Duvall**, Boca Raton,
FL (US)

(**) Term: **15 Years**

(21) Appl. No.: **29/642,130**

(22) Filed: **Mar. 27, 2018**

(51) **LOC (12) Cl.** **07-01**

(52) **U.S. Cl.**

USPC **D7/309**; D7/311; D7/397; D15/148

(58) **Field of Classification Search**

USPC D7/306-311, 305, 300, 397, 399;
99/279, 284, 290, 280, 299, 307, 297,
99/295; 74/89.2; D8/65, 62; D15/148,
D15/199

CPC A47J 31/4464; A47J 31/0663; A47J 31/10;
A47J 31/369; A47J 31/06; F25D 3/00;
B67D 1/0895; F16H 21/16

See application file for complete search history.

(56) **References Cited**

U.S. PATENT DOCUMENTS

- 2,126,096 A * 8/1938 Deguide C09G 1/08
106/8
- 2,212,823 A * 8/1940 Bulk F16H 19/0672
74/501.5 R
- 3,134,324 A * 5/1964 Schwaninger B41F 3/20
101/269
- 3,660,950 A * 5/1972 Takeyama B24B 21/12
451/5
- 3,712,147 A * 1/1973 Bernstein F16H 35/00
74/89.22

- 3,890,115 A * 6/1975 Stahl B24B 21/14
451/303
- 4,509,296 A * 4/1985 Rasmussen B24B 27/0084
269/74
- D310,002 S * 8/1990 Rossio D7/308
- D343,332 S * 1/1994 Schroeder D7/300

(Continued)

Primary Examiner — Marianne N Pandozzi

(74) *Attorney, Agent, or Firm* — Mark Johnson

(57) **CLAIM**

The ornamental design for a beverage brewing machine external surface belt configuration, as shown and described.

DESCRIPTION

FIG. 1 is a front elevational view of a beverage brewing machine external surface belt configuration showing my new design;

FIG. 2 is a left side elevational view thereof;

FIG. 3 is a right side elevational view thereof;

FIG. 4 is a top plan view thereof;

FIG. 5 is a bottom plan view thereof;

FIG. 6 is a top left side perspective view thereof;

FIG. 7 is a right side perspective view thereof;

FIG. 8 is a bottom right perspective view thereof;

FIG. 9 is a bottom left perspective view thereof;

FIG. 10 is a detail of circled area 1-1 in FIG. 1;

FIG. 11 is a detail of circled area 6-6 of FIG. 6;

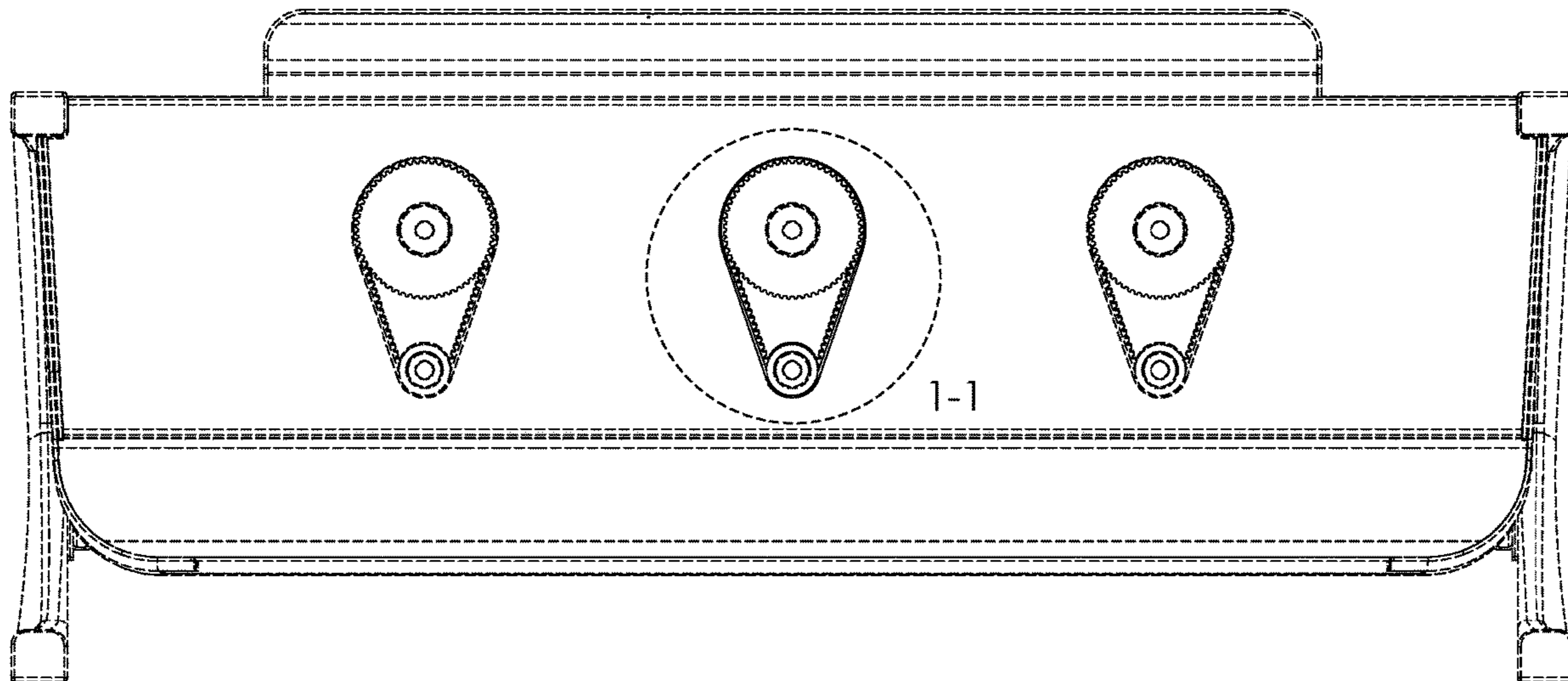
FIG. 12 is a detail of circled area 7-7 in FIG. 7;

FIG. 13 is a detail of circled area 8-8 in FIG. 8; and,

FIG. 14 is a detail of circled area 9-9 in FIG. 9.

The broken lines shown in the drawings for the outer appearance of the beverage brewing machine body and two out of the three beverage brewing machine external surface belt configurations, while the same in appearance as the beverage brewing machine external surface belt configuration claimed, depict portions of the beverage brewing machine which form no part of the claimed design.

1 Claim, 10 Drawing Sheets



(56)

References Cited

U.S. PATENT DOCUMENTS

5,545,077 A * 8/1996 Boeck B24B 21/20
451/296
D395,975 S * 7/1998 Munoz D7/308
5,813,318 A * 9/1998 Zanin A47J 31/007
99/291
D497,510 S * 10/2004 Comorera D7/307
D551,487 S * 9/2007 Beretta D7/307
7,429,231 B2 * 9/2008 Bieg B60R 22/4628
242/374
D672,998 S * 12/2012 Bonetto D7/308
8,568,259 B2 * 10/2013 Robbins F16H 7/1281
474/135
D695,052 S * 12/2013 Ottavi D7/309
8,870,675 B2 * 10/2014 Motokawa A63B 53/04
473/290
D807,096 S * 1/2018 Prefontaine D7/307
10,184,360 B2 * 1/2019 Caputo F01L 1/3442
D841,384 S * 2/2019 Furstenberg D7/309
2014/0190289 A1 * 7/2014 Zhu B25J 9/104
74/89.22

* cited by examiner

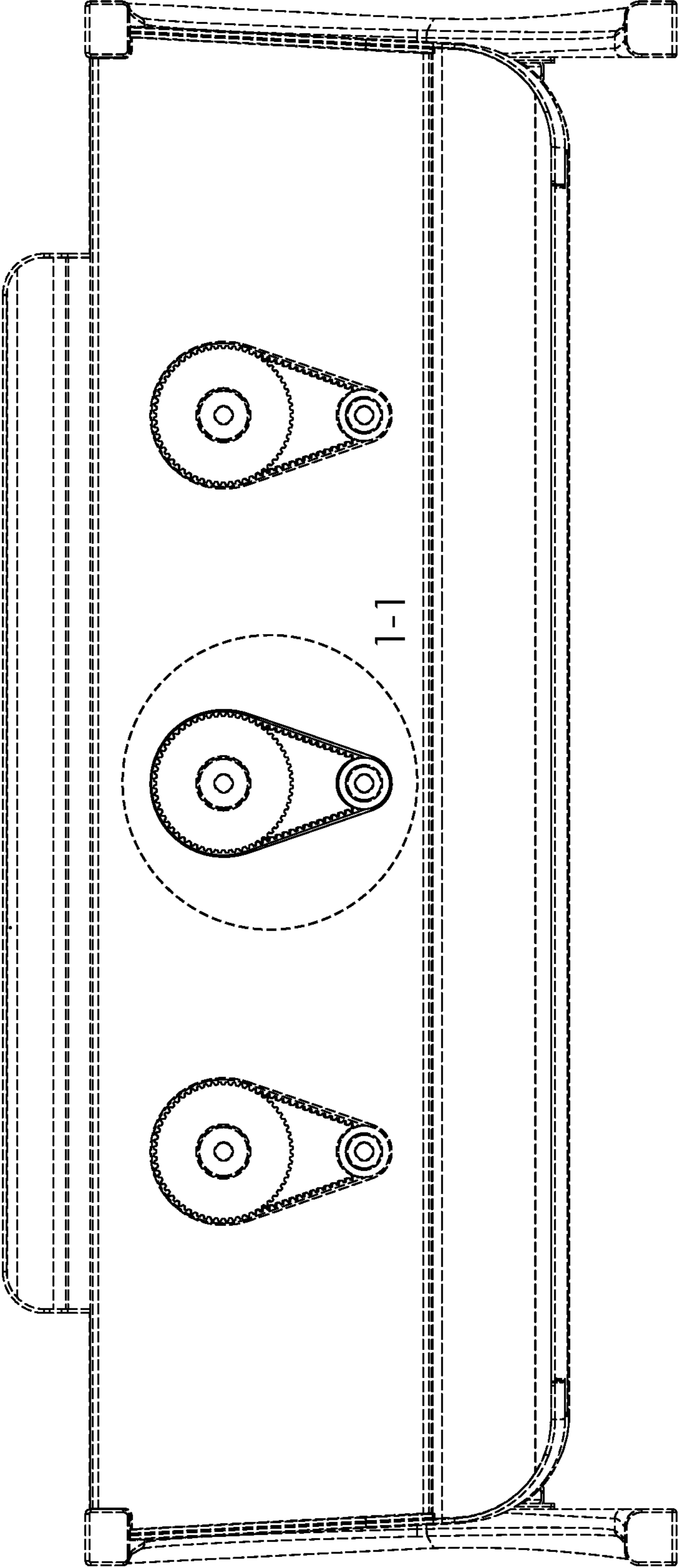


FIG. 1

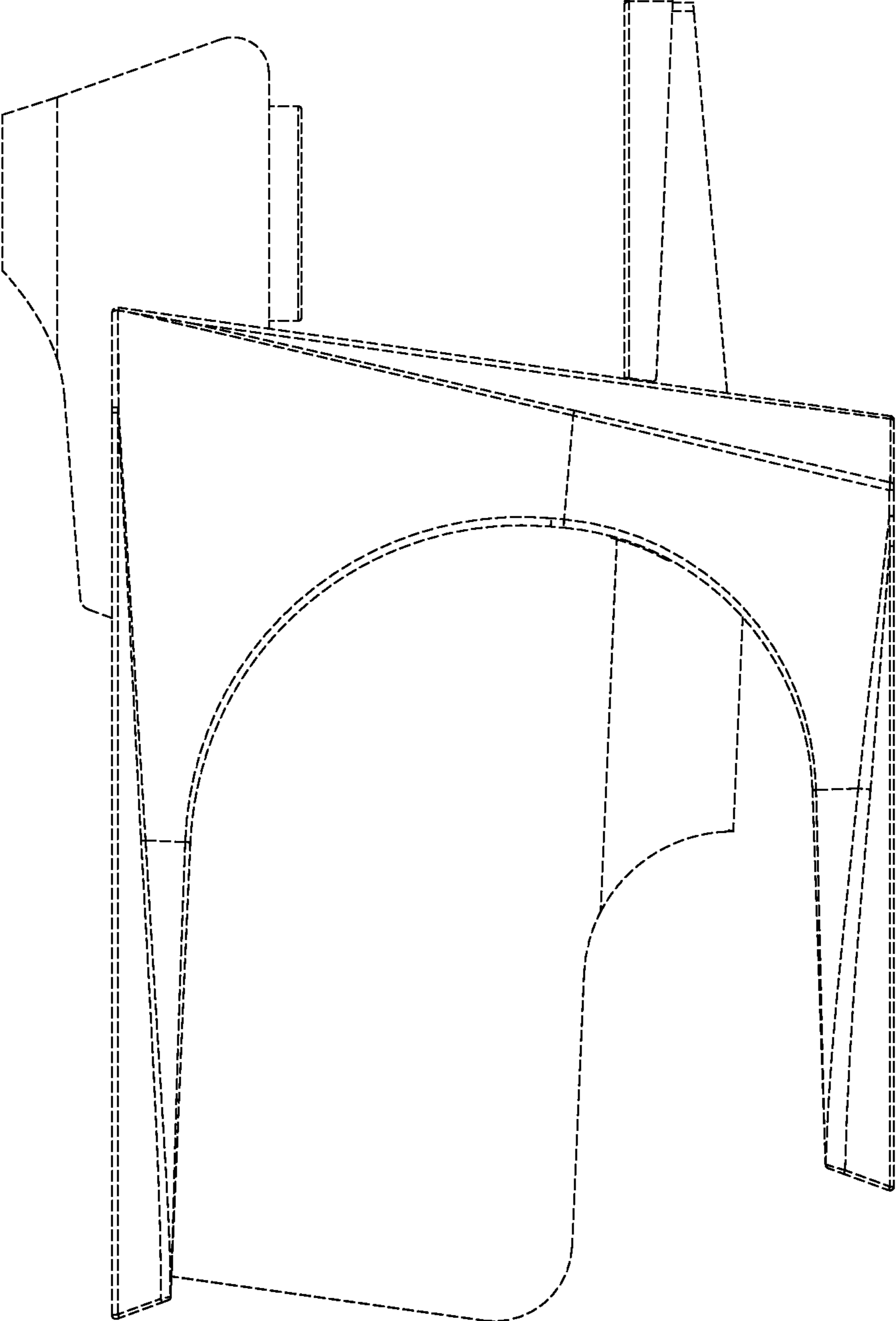


FIG. 2

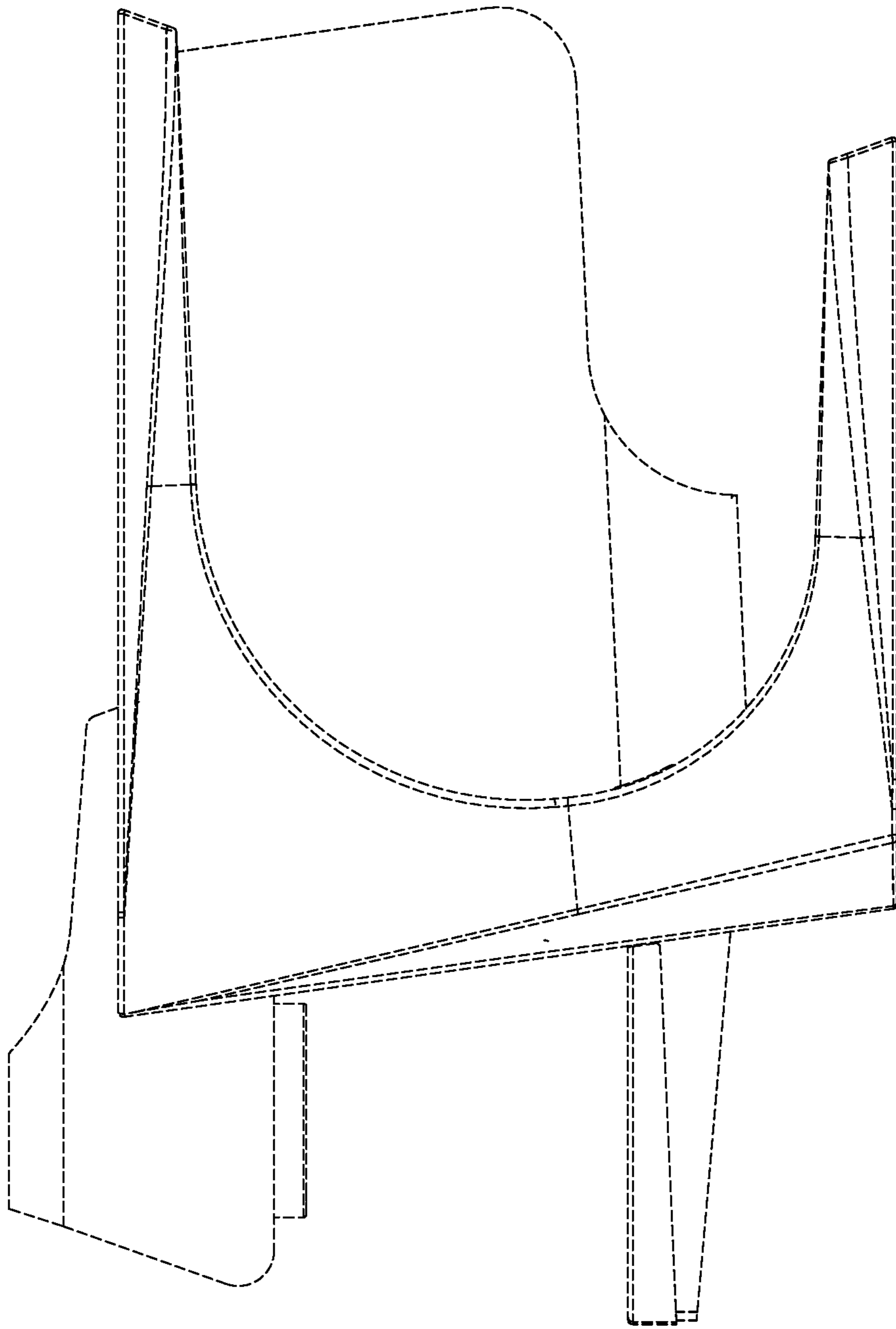


FIG. 3

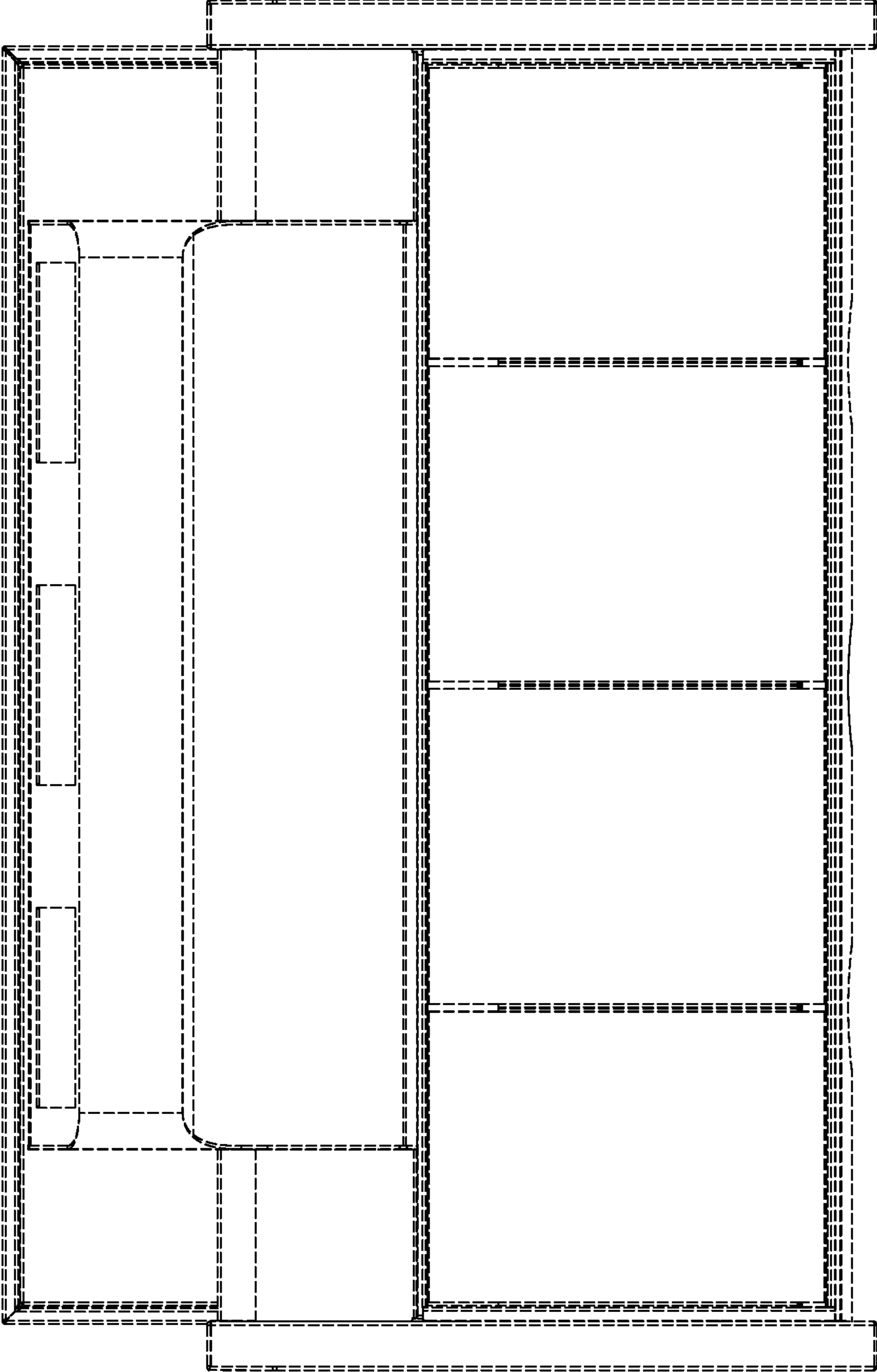


FIG. 4

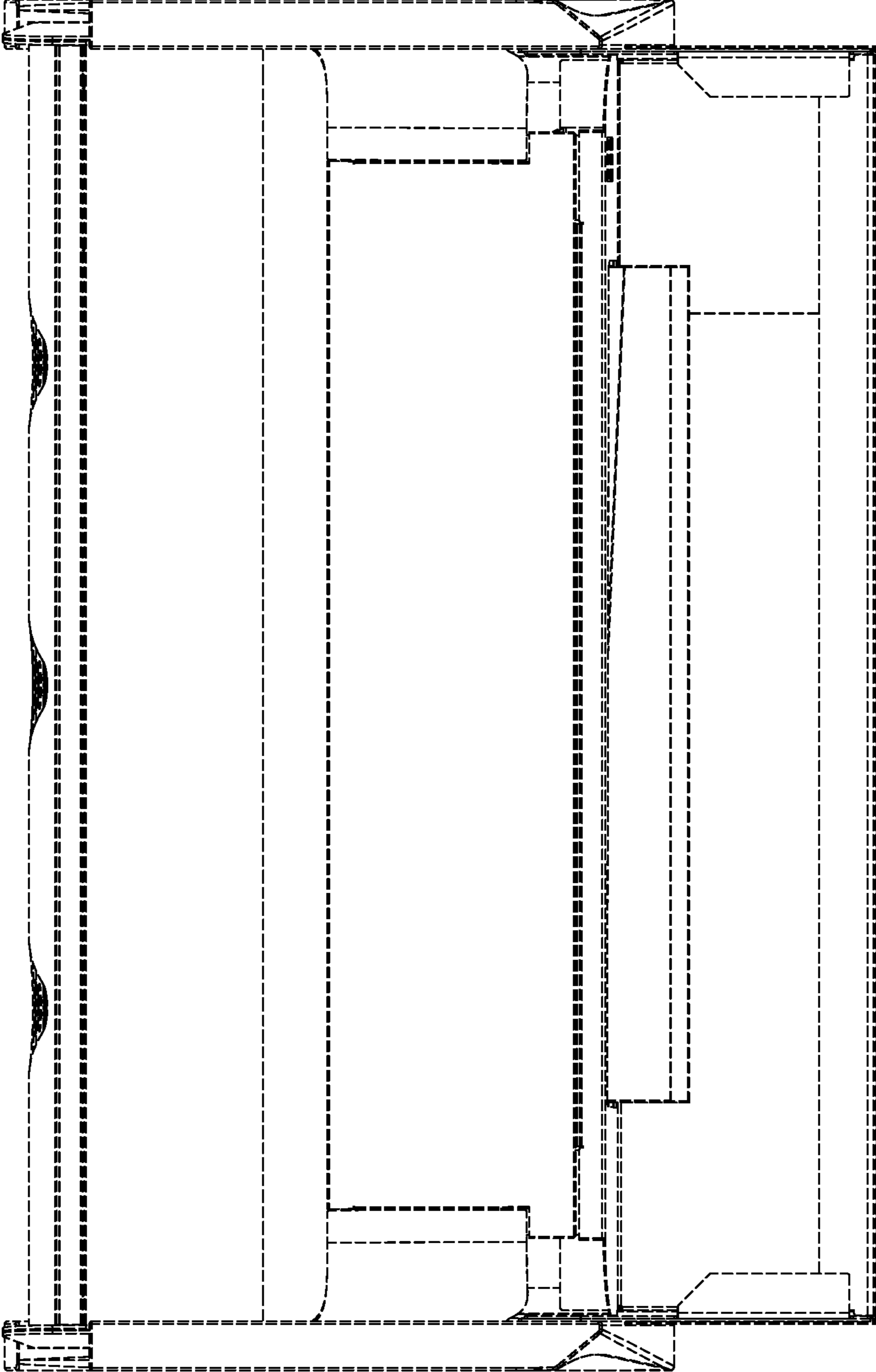


FIG. 5

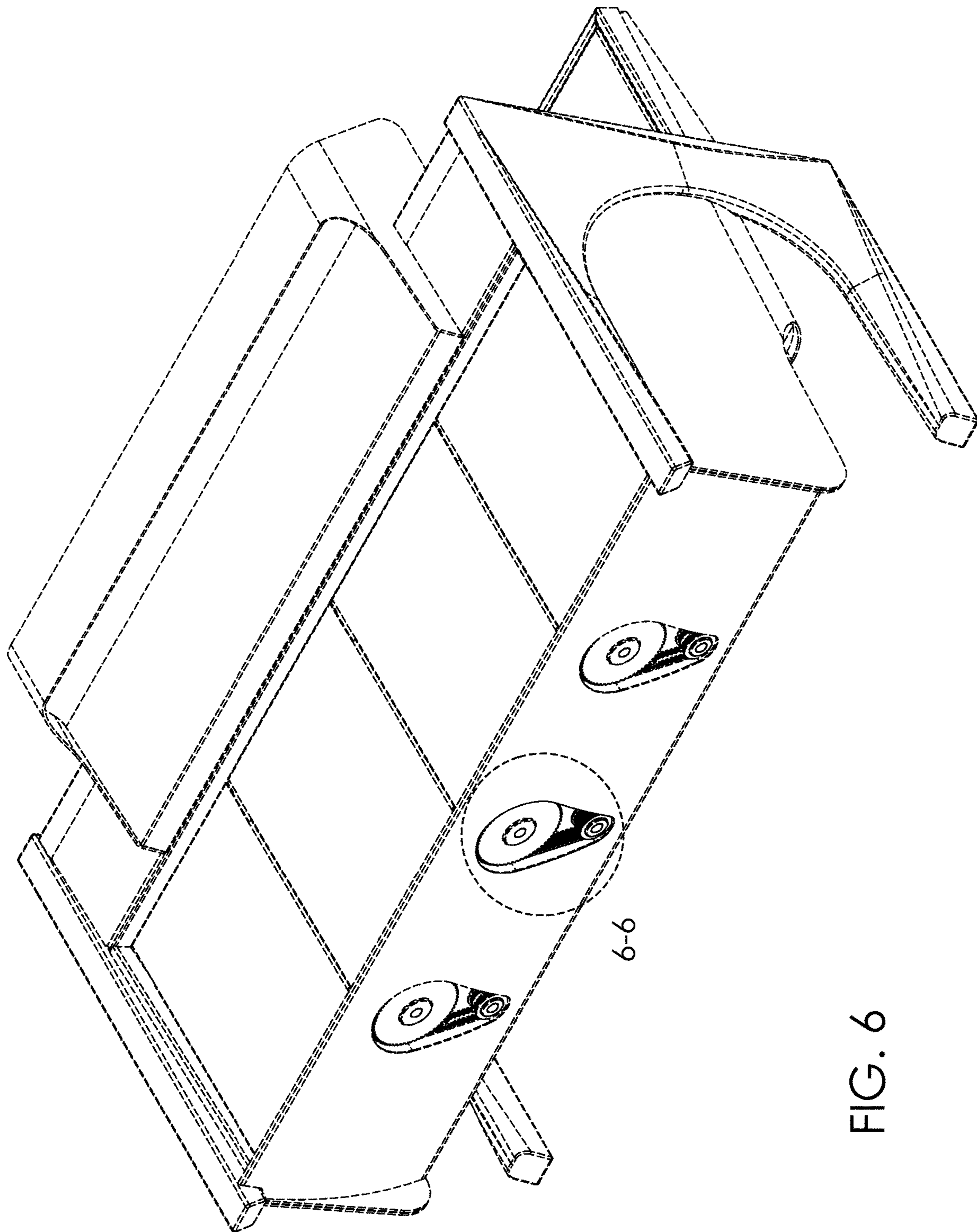


FIG. 6

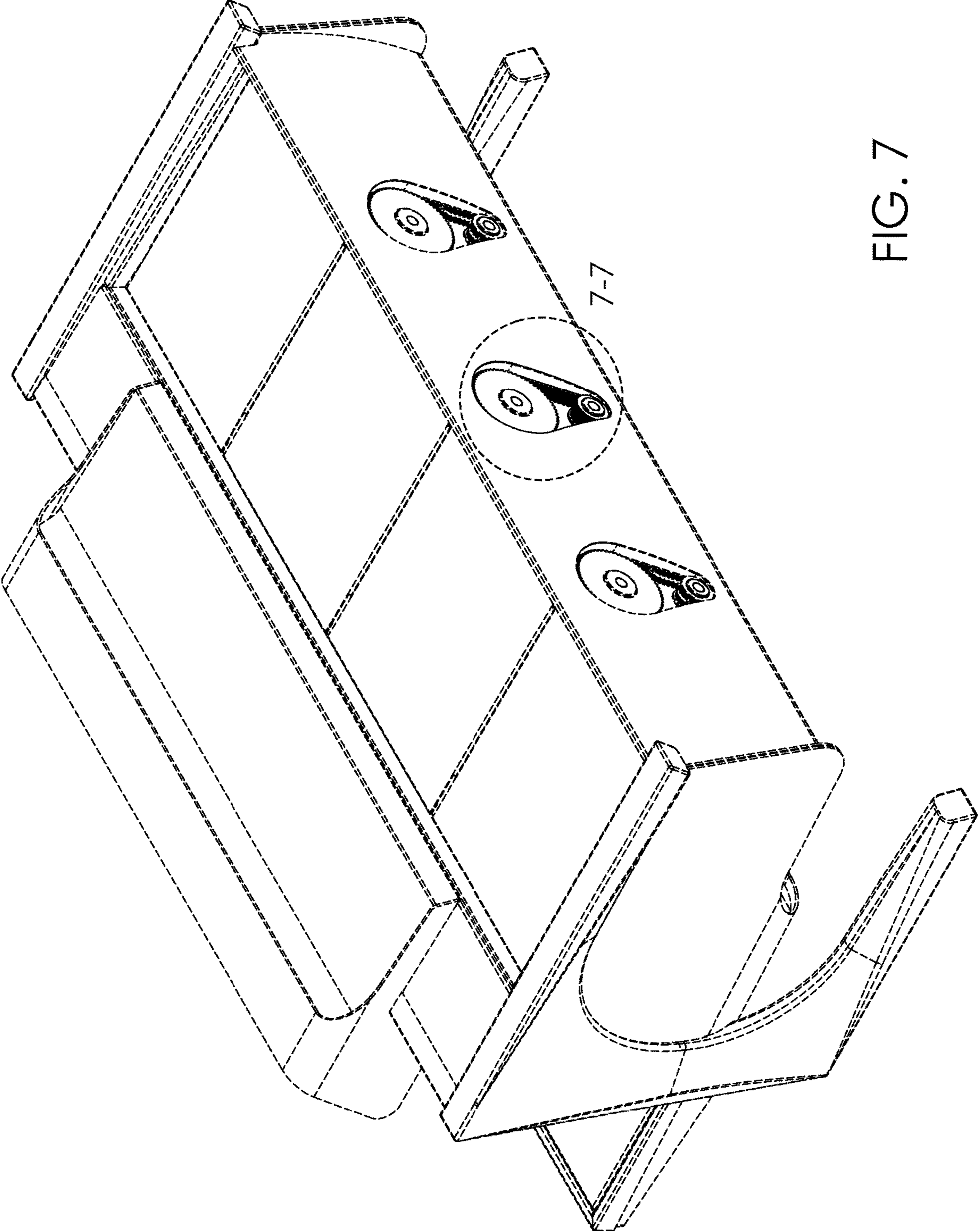


FIG. 7

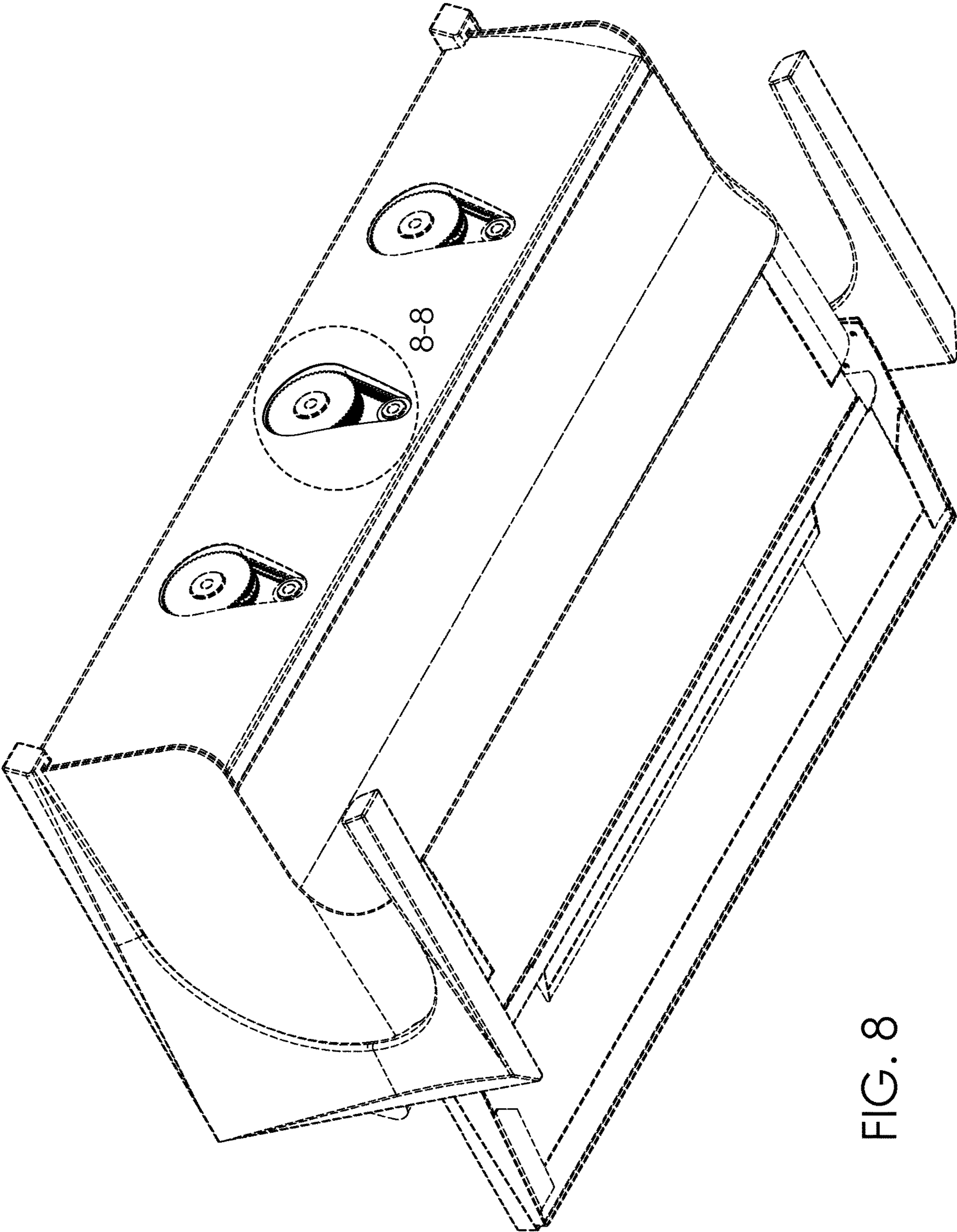


FIG. 8

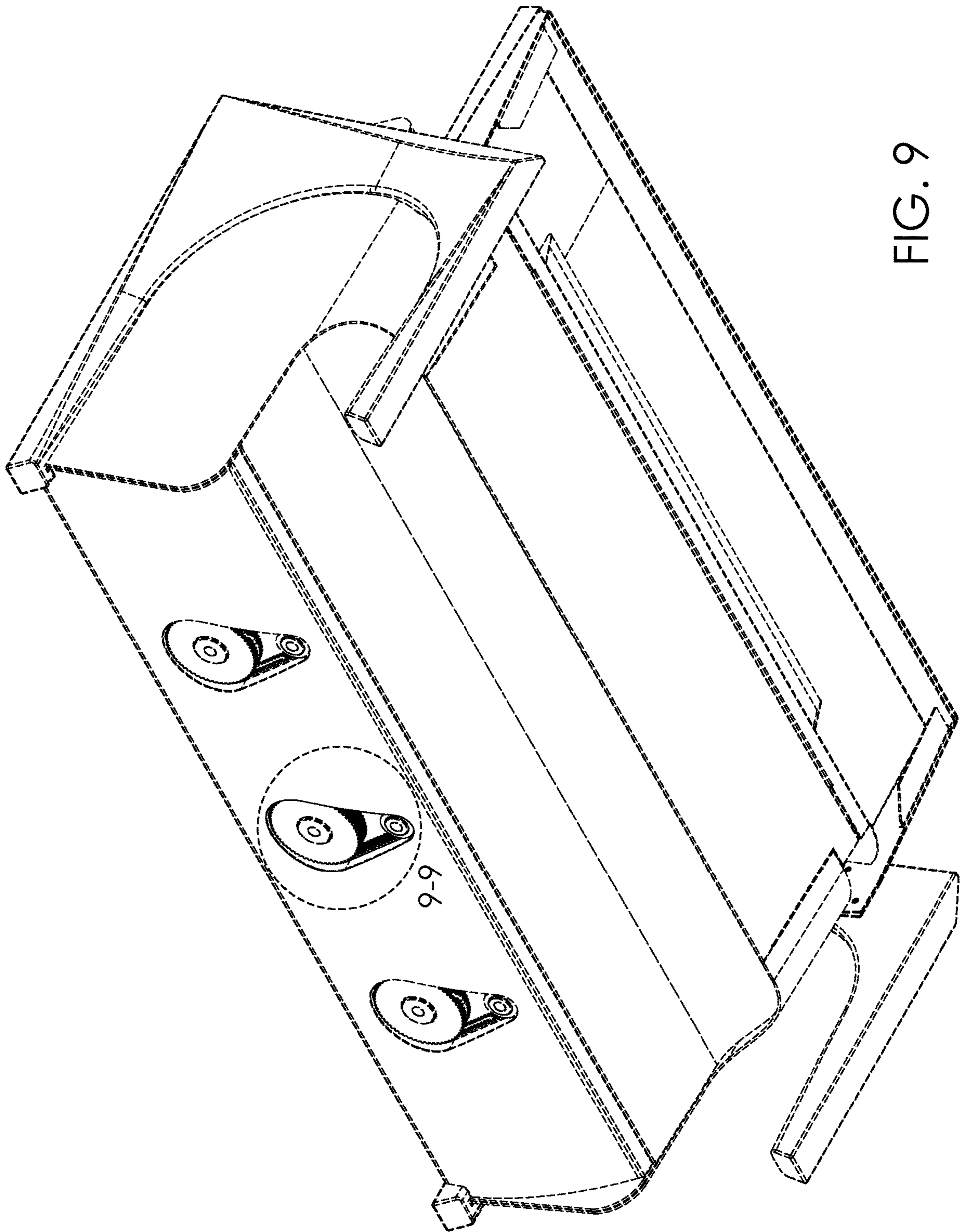


FIG. 9

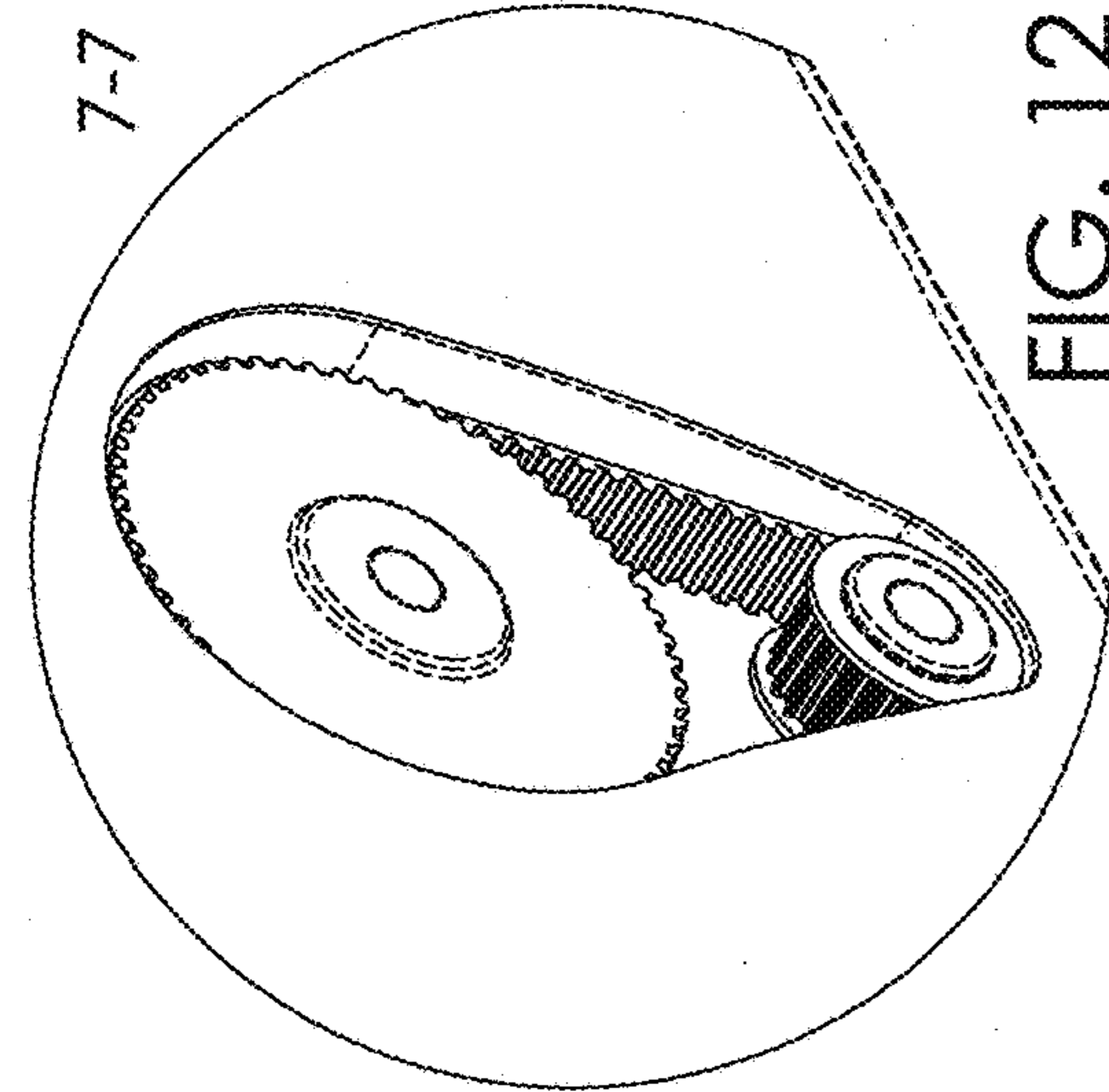


FIG. 12

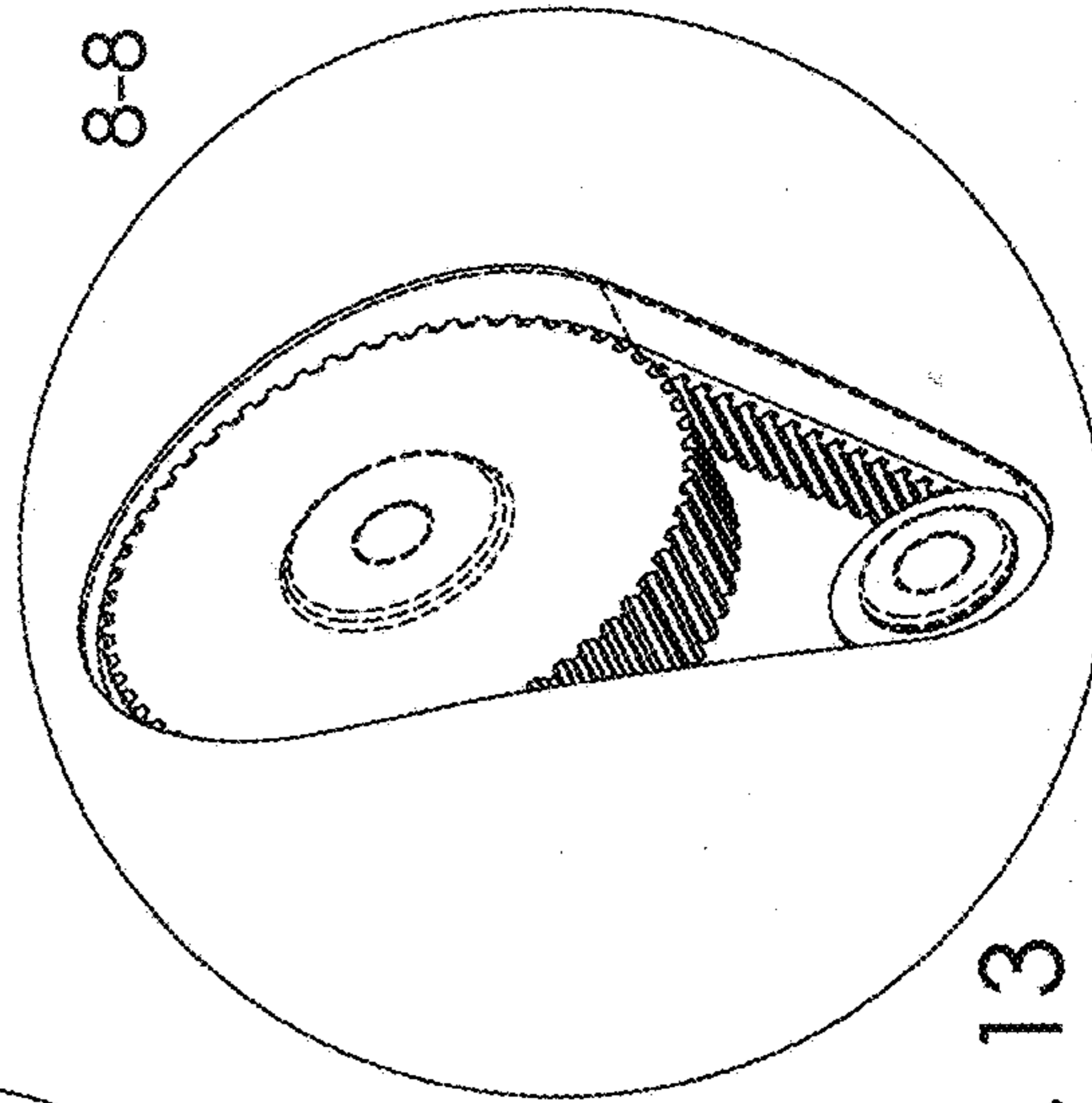


FIG. 13

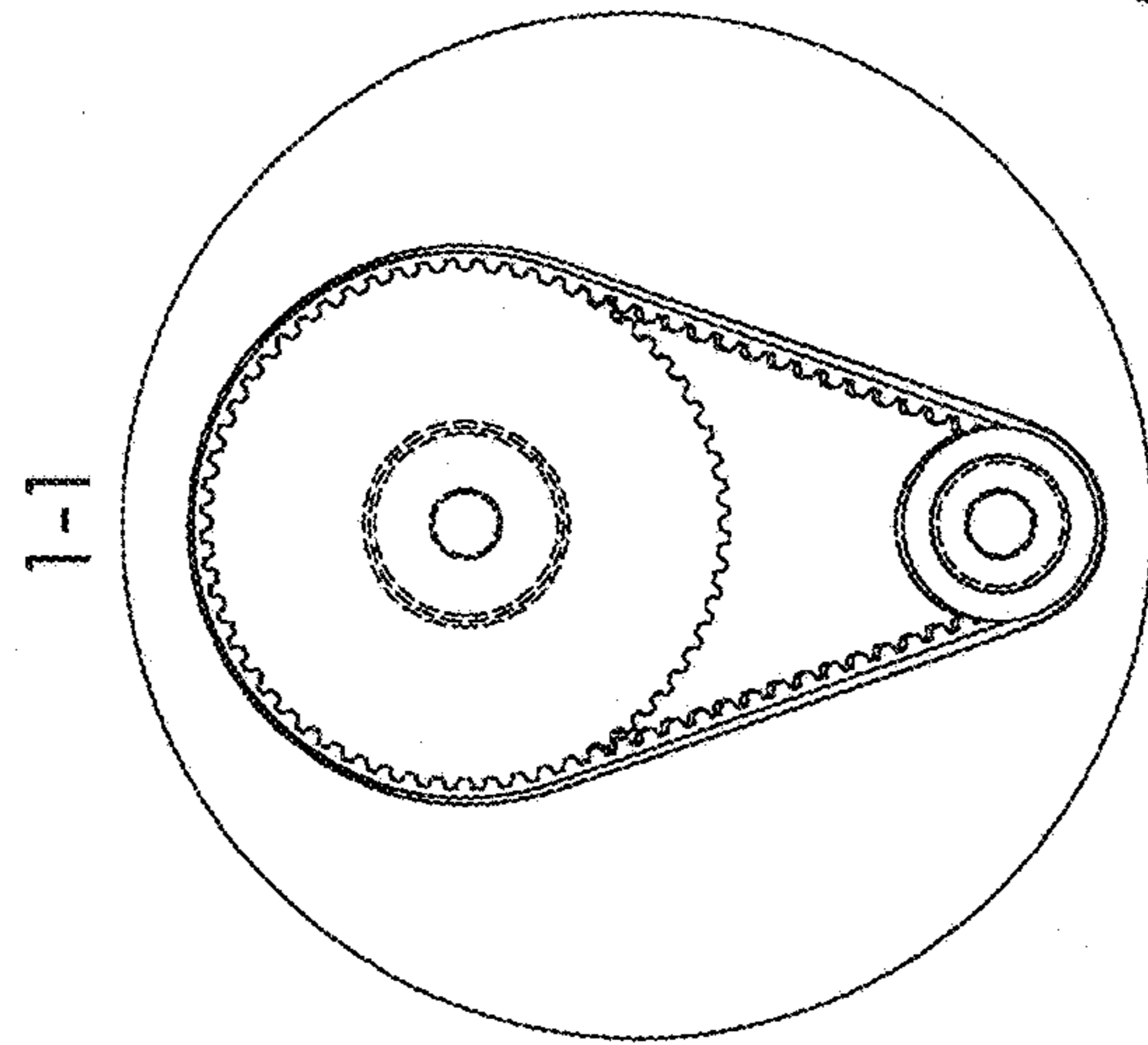


FIG. 10

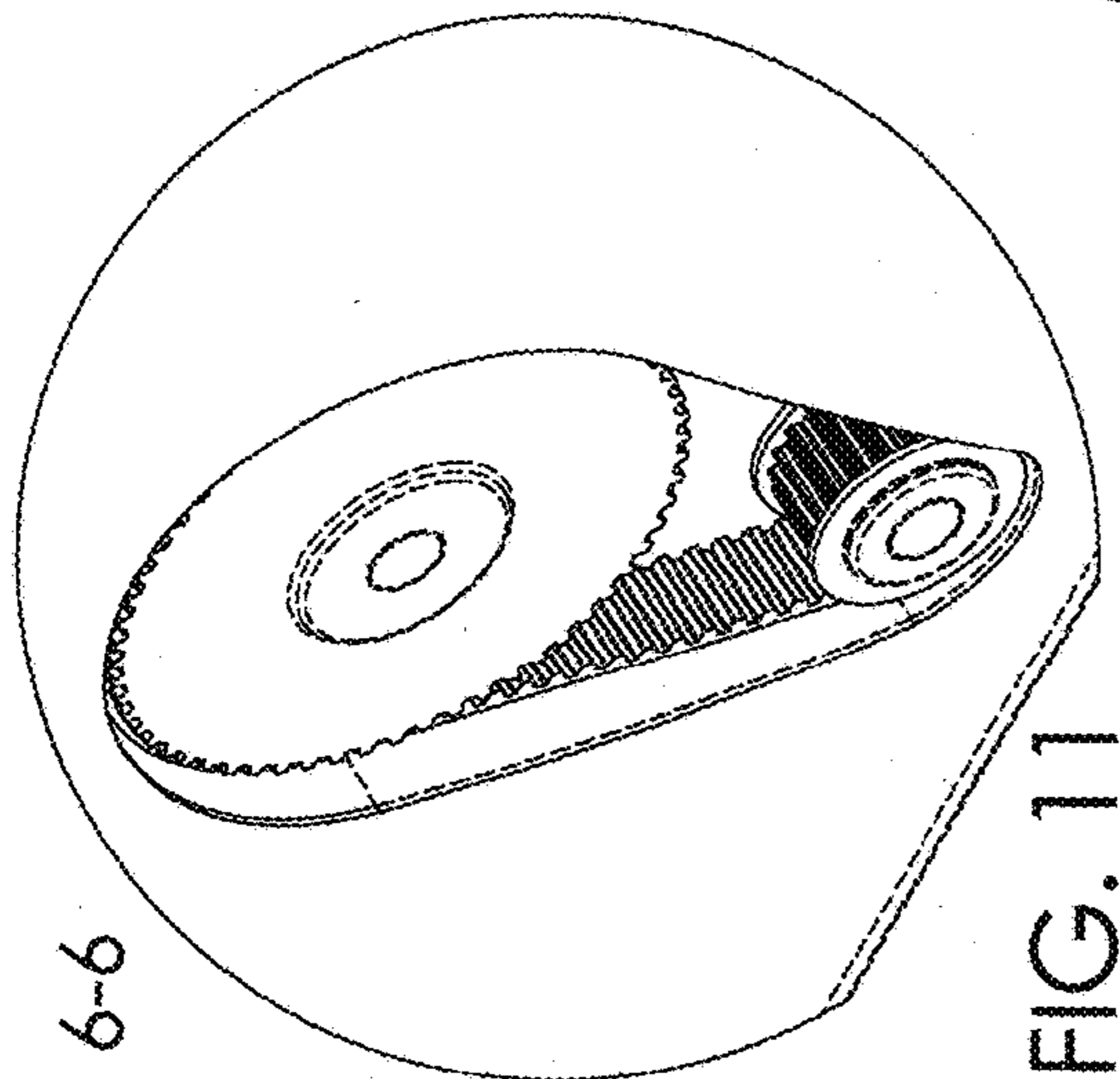


FIG. 11

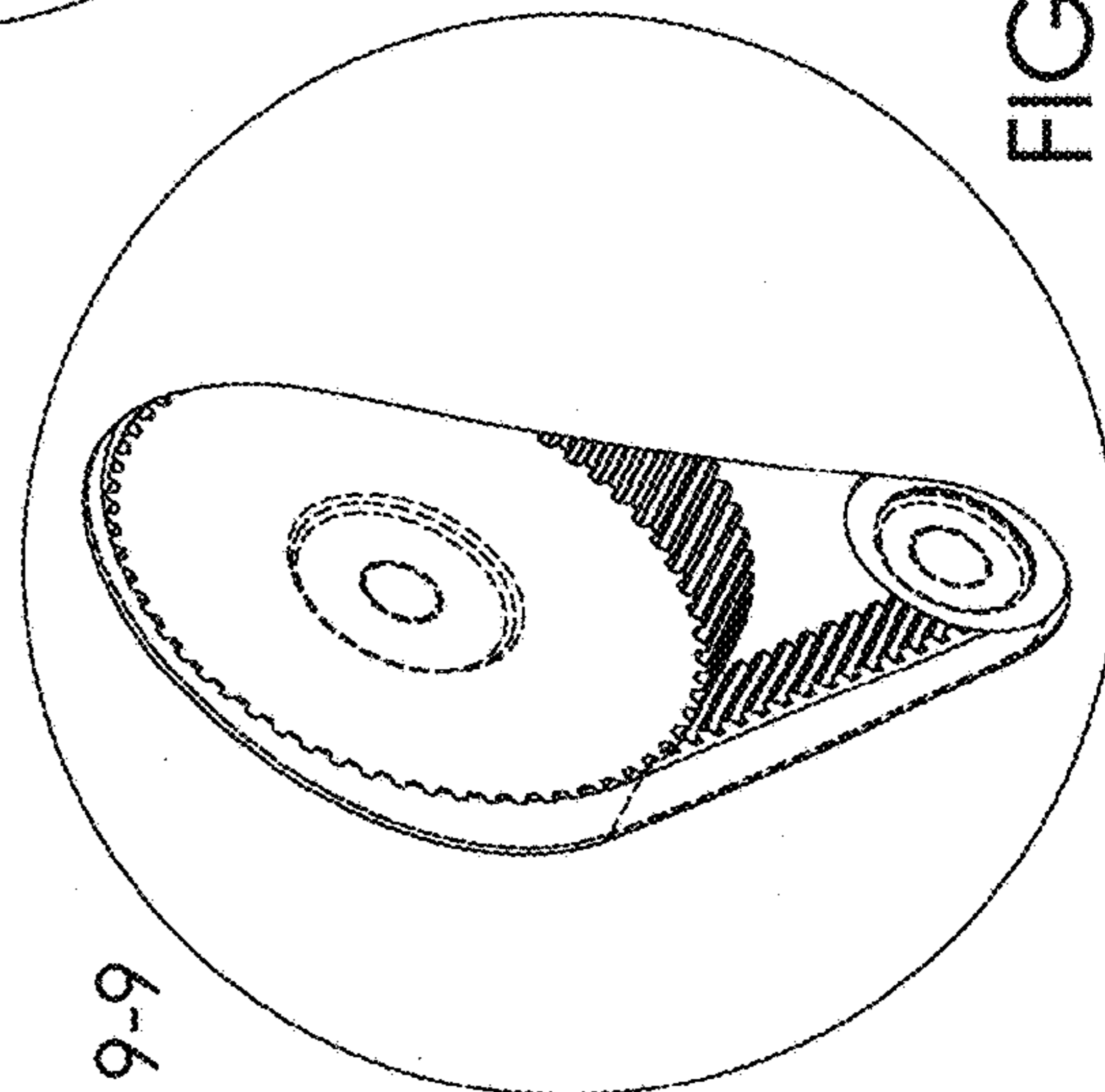


FIG. 14

9-9