



US00D874204S

(12) **United States Design Patent**
Prabucki

(10) **Patent No.:** **US D874,204 S**

(45) **Date of Patent:** **** Feb. 4, 2020**

(54) **BOTTLED WATER ROLLER DISPENSER**

(71) Applicant: **Robert W. Prabucki**, Surprise, AZ
(US)

(72) Inventor: **Robert W. Prabucki**, Surprise, AZ
(US)

(**) Term: **15 Years**

(21) Appl. No.: **29/664,477**

(22) Filed: **Sep. 25, 2018**

(51) **LOC (12) Cl.** **07-01**

(52) **U.S. Cl.**
USPC **D7/306**; D7/313

(58) **Field of Classification Search**
USPC D7/300, 312, 313, 306, 512, 397, 398,
D7/307, 308, 368, 605, 607; 220/666;
D34/24, 5, 16; D3/279; D32/53
CPC .. C12C 7/04; C12C 7/24; C12C 13/10; C12C
13/00; B01D 43/00; B62B 11/00
See application file for complete search history.

(56) **References Cited**

U.S. PATENT DOCUMENTS

D300,106	S	*	3/1989	Paulin	D7/309
5,160,060	A	*	11/1992	Garofalo, Jr.	E05B 17/2057 220/318
5,323,923	A	*	6/1994	Schauer	B65D 43/24 220/756
D358,289	S	*	5/1995	Thies	D7/306
6,059,143	A	*	5/2000	Weir	A45F 3/00 222/184
D436,282	S	*	1/2001	Kauzlarich	D7/306
D476,125	S	*	6/2003	Chen	D34/5
D489,505	S	*	5/2004	Bond	D34/14
7,182,222	B2		2/2007	Prabucki		
D616,620	S	*	5/2010	Carroll	D32/53
D625,483	S	*	10/2010	Fabian	D34/5

(Continued)

OTHER PUBLICATIONS

walmart.com, "Igloo 5-Gallon Beverage Roller, Majestic Blue", online product listing, <https://walmart.com/ip/Igloo-5-Gallon-Beverage-Roller-Majestic-Blue>, visited on Aug. 21, 2018, pp. 2 and 4, copyright 2018, Walmart.

Primary Examiner — Marianne N Pandozzi

(74) *Attorney, Agent, or Firm* — J. Douglas Wells

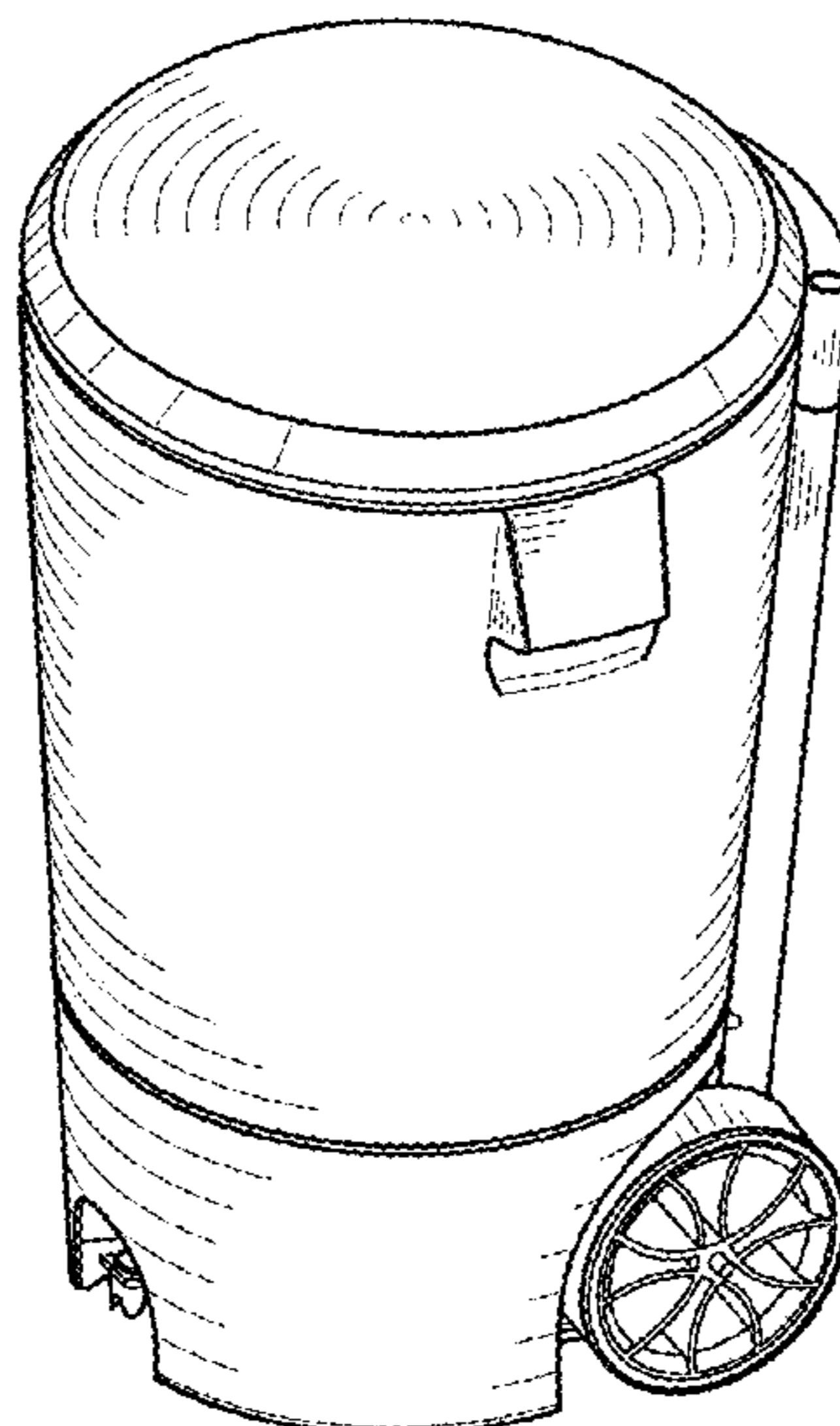
(57) **CLAIM**

The ornamental design for a bottled water roller dispenser, as shown and described.

DESCRIPTION

FIG. 1 is a front/top/left perspective view of a bottled water roller dispenser, showing our new design;
 FIG. 2 is a top plan view thereof;
 FIG. 3 is a bottom plan view thereof;
 FIG. 4 is a left side view thereof, with a right side view thereof being a mirror image of the left side view;
 FIG. 5 is a front elevation view thereof;
 FIG. 6 is a rear elevation view thereof;
 FIG. 7 is the front/top/left perspective view shown in FIG. 1 with a handle of the bottled water roller dispenser telescoped outward to an extended position;
 FIG. 8 is the front/top/left perspective view shown in FIG. 1 with a removable top lid of the bottled water roller dispenser removed;
 FIG. 9 is a top plan view of the bottled water roller dispenser with the removable top lid removed as shown in FIG. 8;
 FIG. 10 is the front/top/left perspective view shown in FIG. 1 with the removable top lid and a removable middle section of the bottled water roller dispenser removed;
 FIG. 11 is a top plan view thereof;
 FIG. 12 is a bottom plan view thereof;
 FIG. 13 is a left side view thereof;
 FIG. 14 is a right side view thereof;
 FIG. 15 is a front elevation view thereof; and,
 FIG. 16 is a rear elevation view thereof.

1 Claim, 14 Drawing Sheets



(56)

References Cited

U.S. PATENT DOCUMENTS

D654,232 S *	2/2012	Mjelde	D32/21
D655,562 S *	3/2012	Schenk	D7/307
9,192,883 B1 *	11/2015	Blichmann	B01D 43/00
D770,234 S *	11/2016	Wassenius	D7/605
D770,235 S *	11/2016	Wassenius	D7/605
D778,662 S *	2/2017	Gannon	D34/14
D789,751 S *	6/2017	Wassenius	D7/605
2010/0212419 A1 *	8/2010	Radhakrishnan	A47J 31/50 73/304 C

* cited by examiner

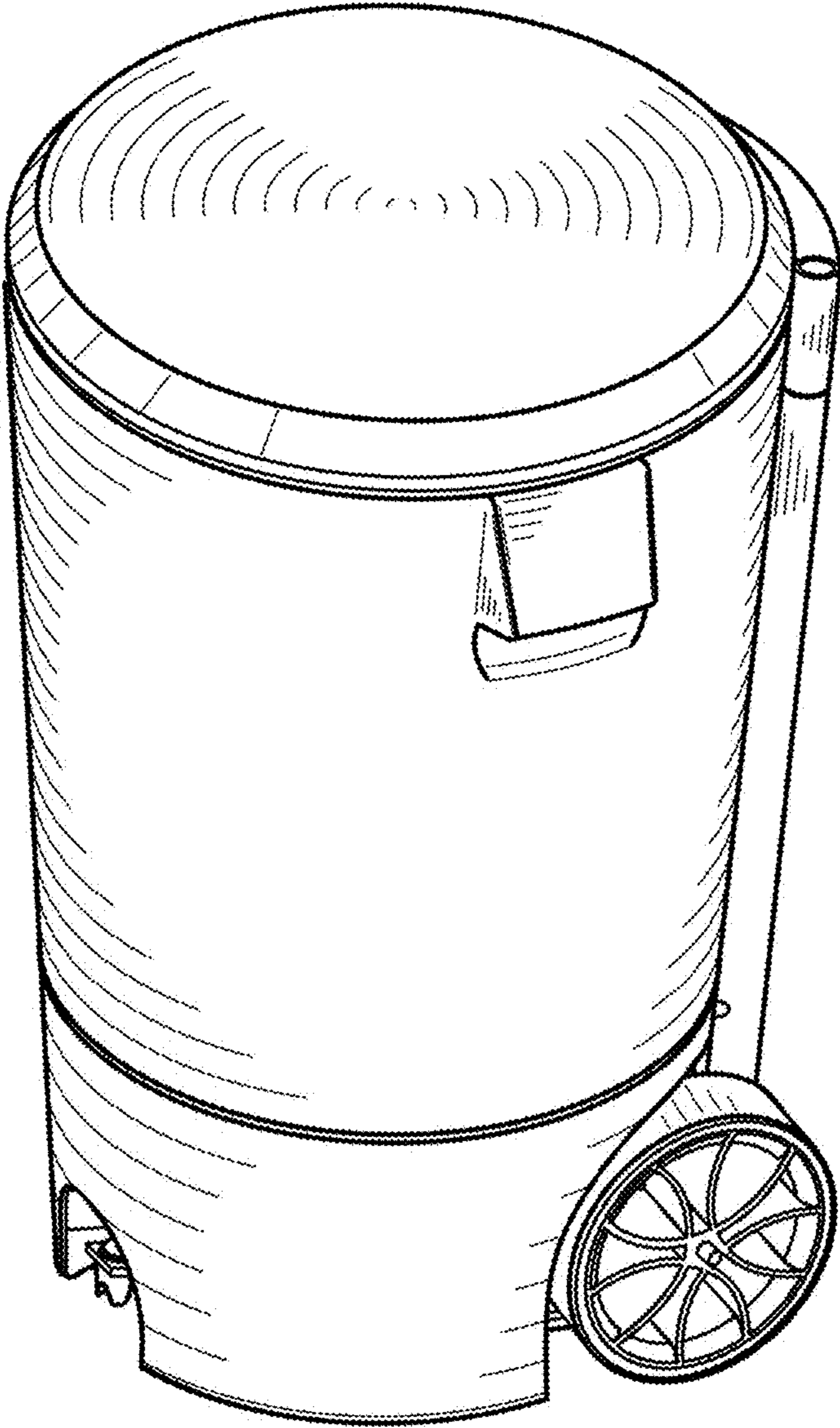


FIG. 1

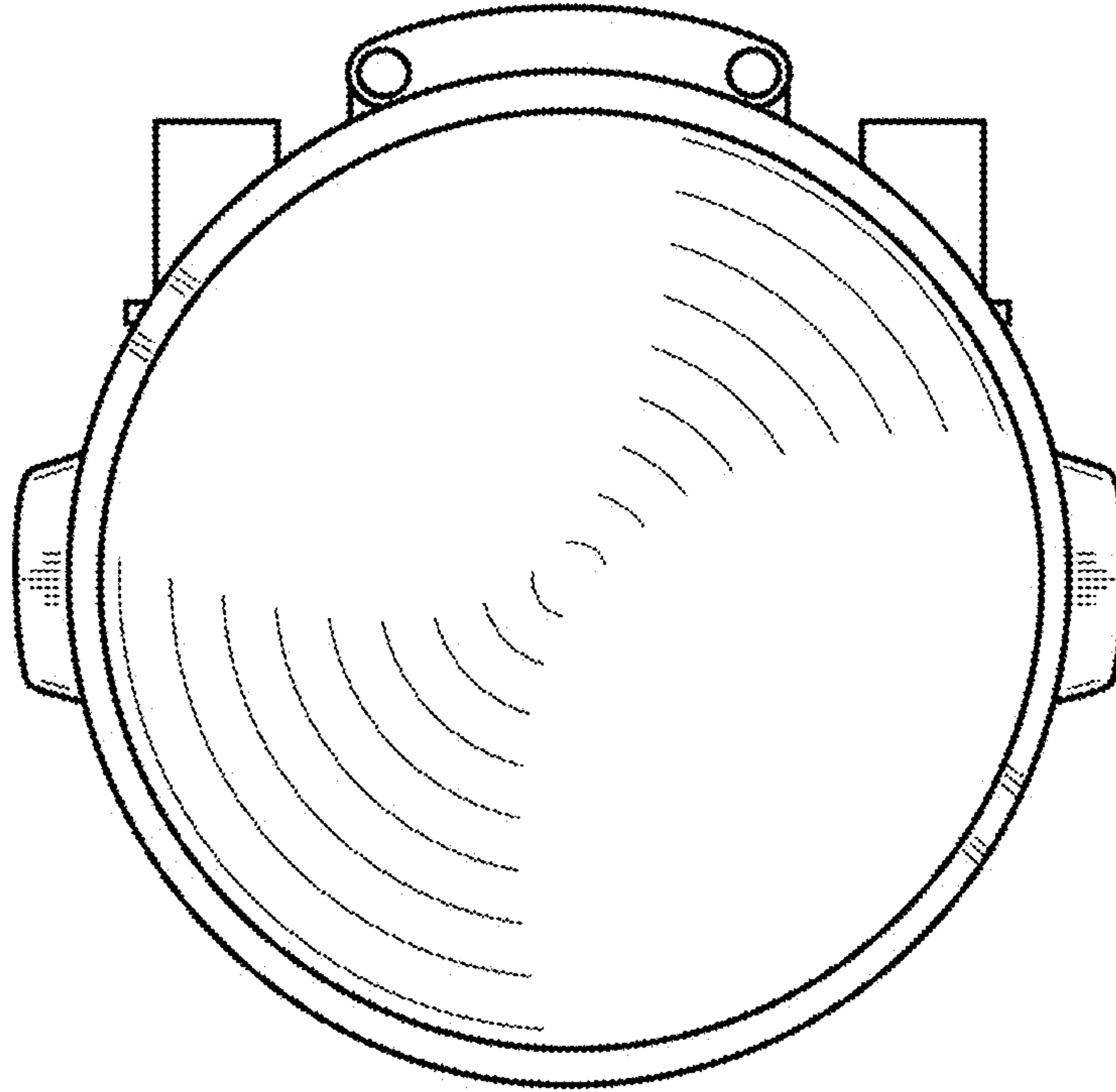


FIG. 2

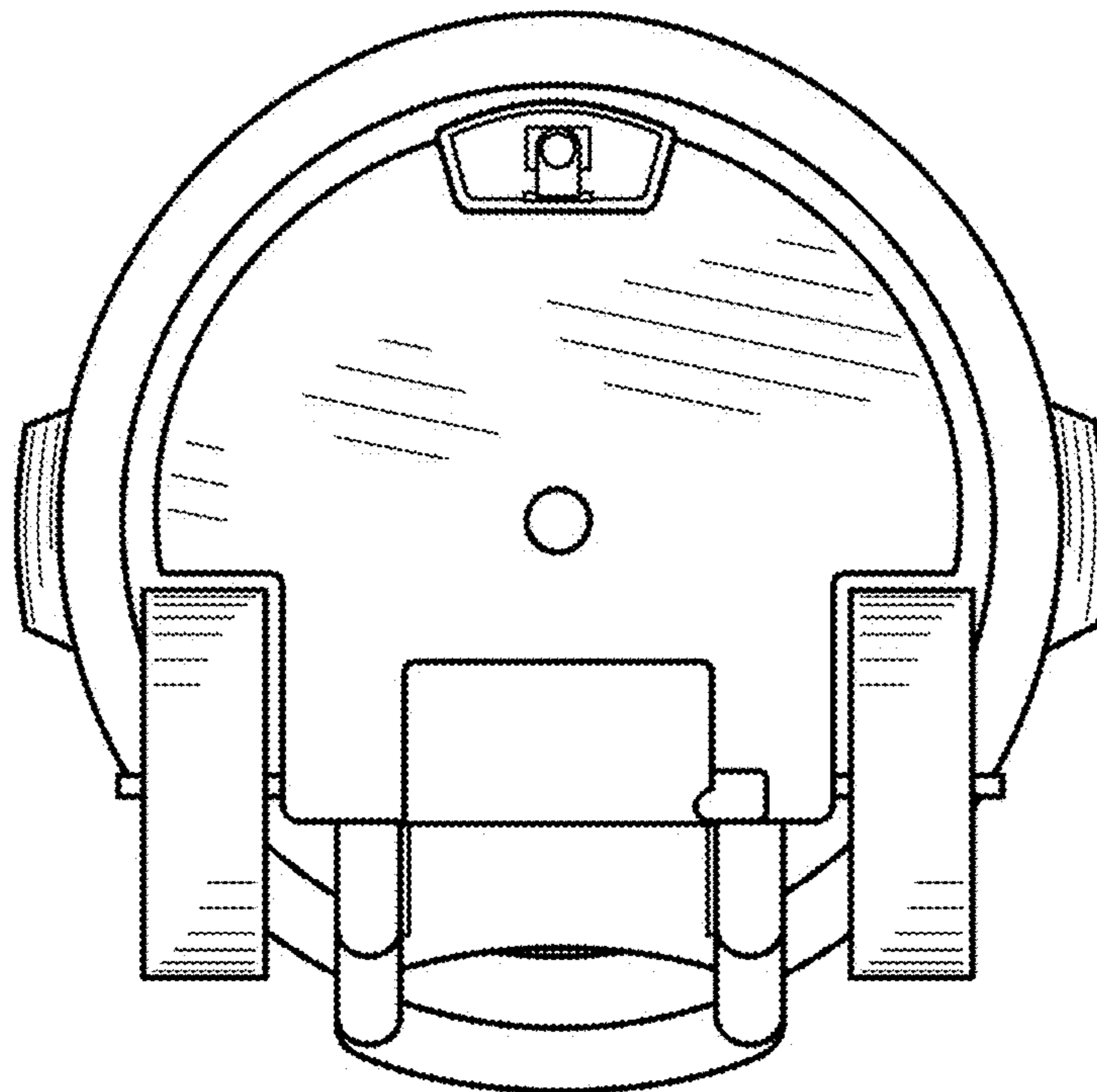


FIG. 3

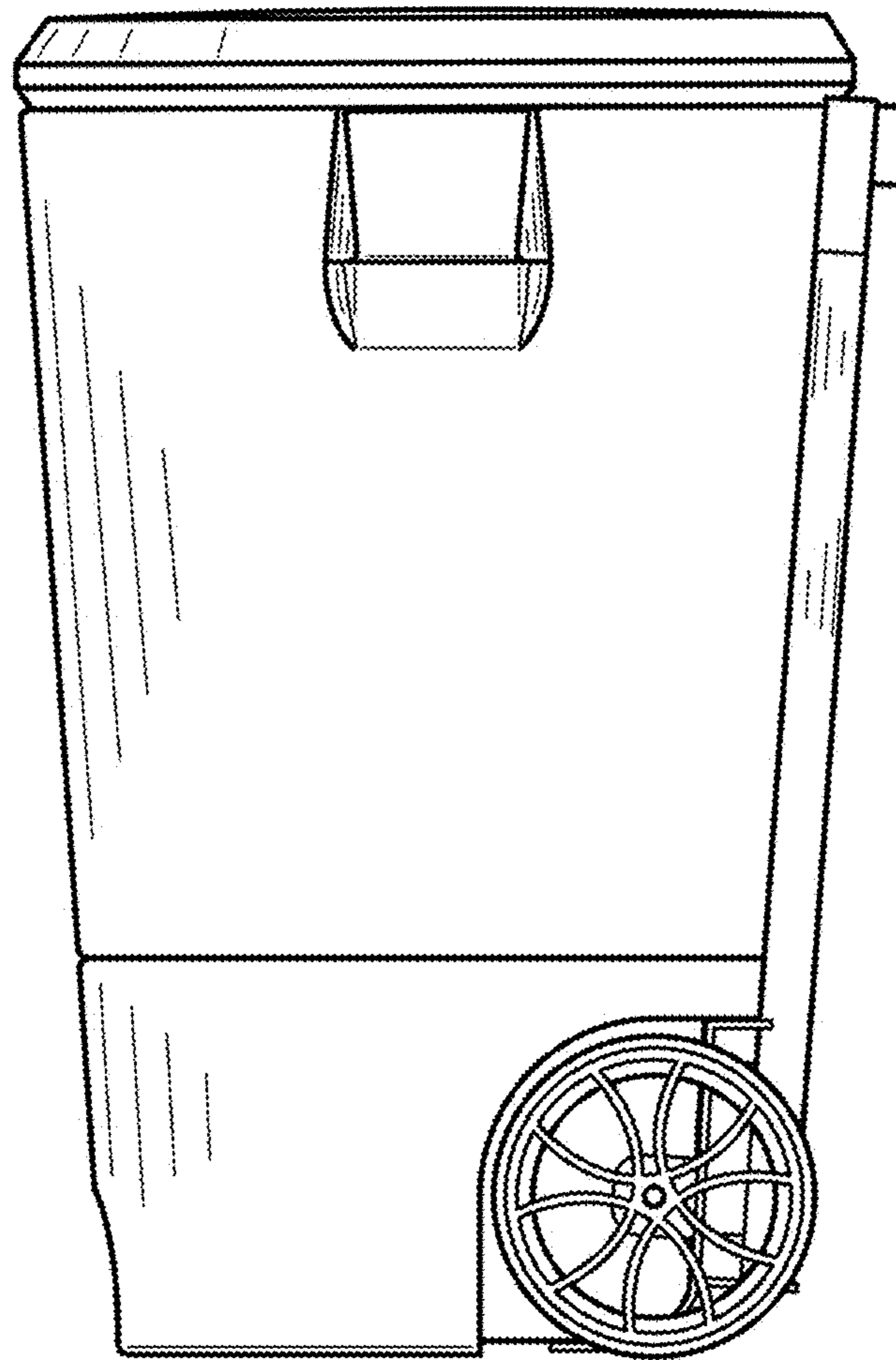


FIG. 4

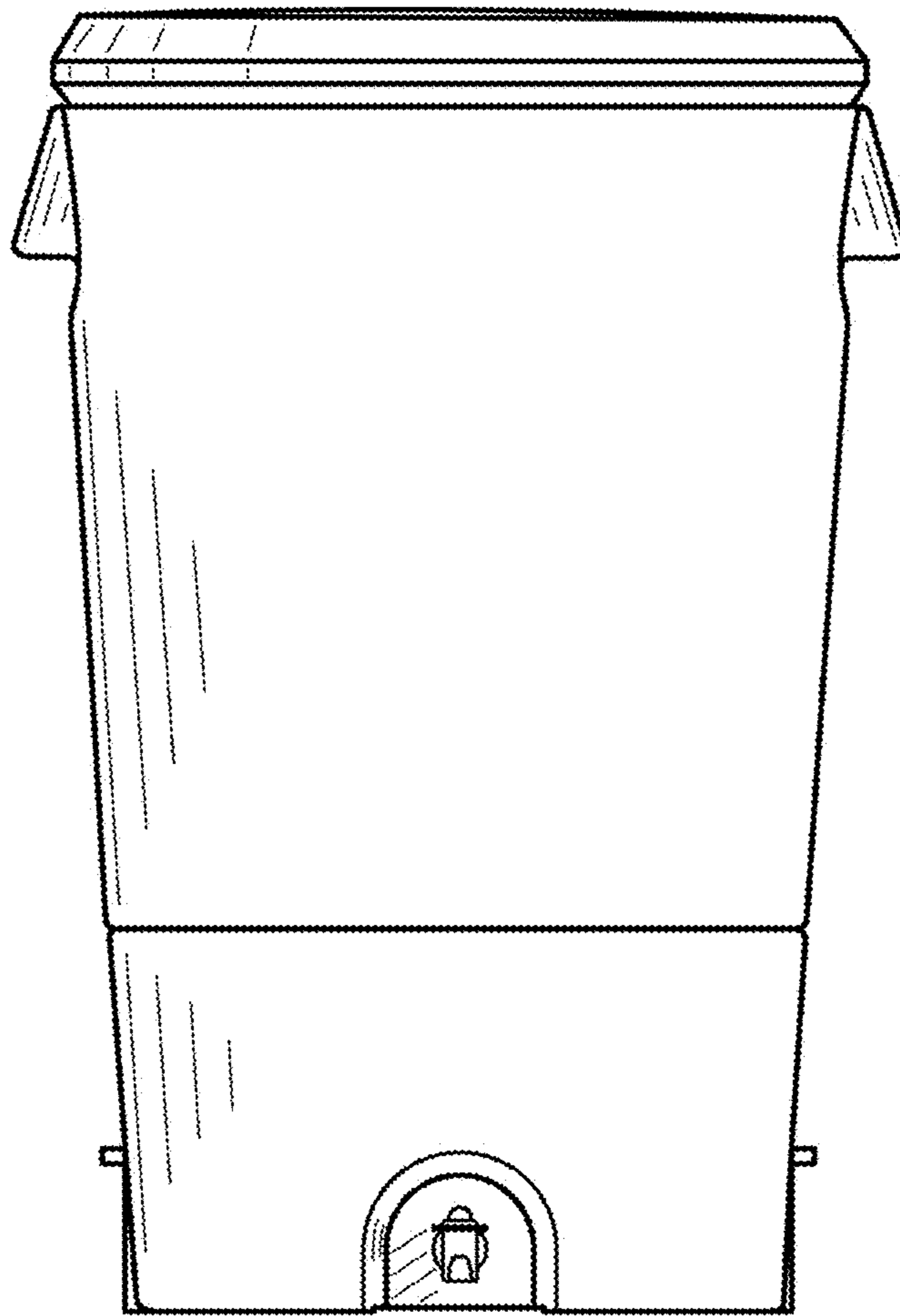


FIG. 5

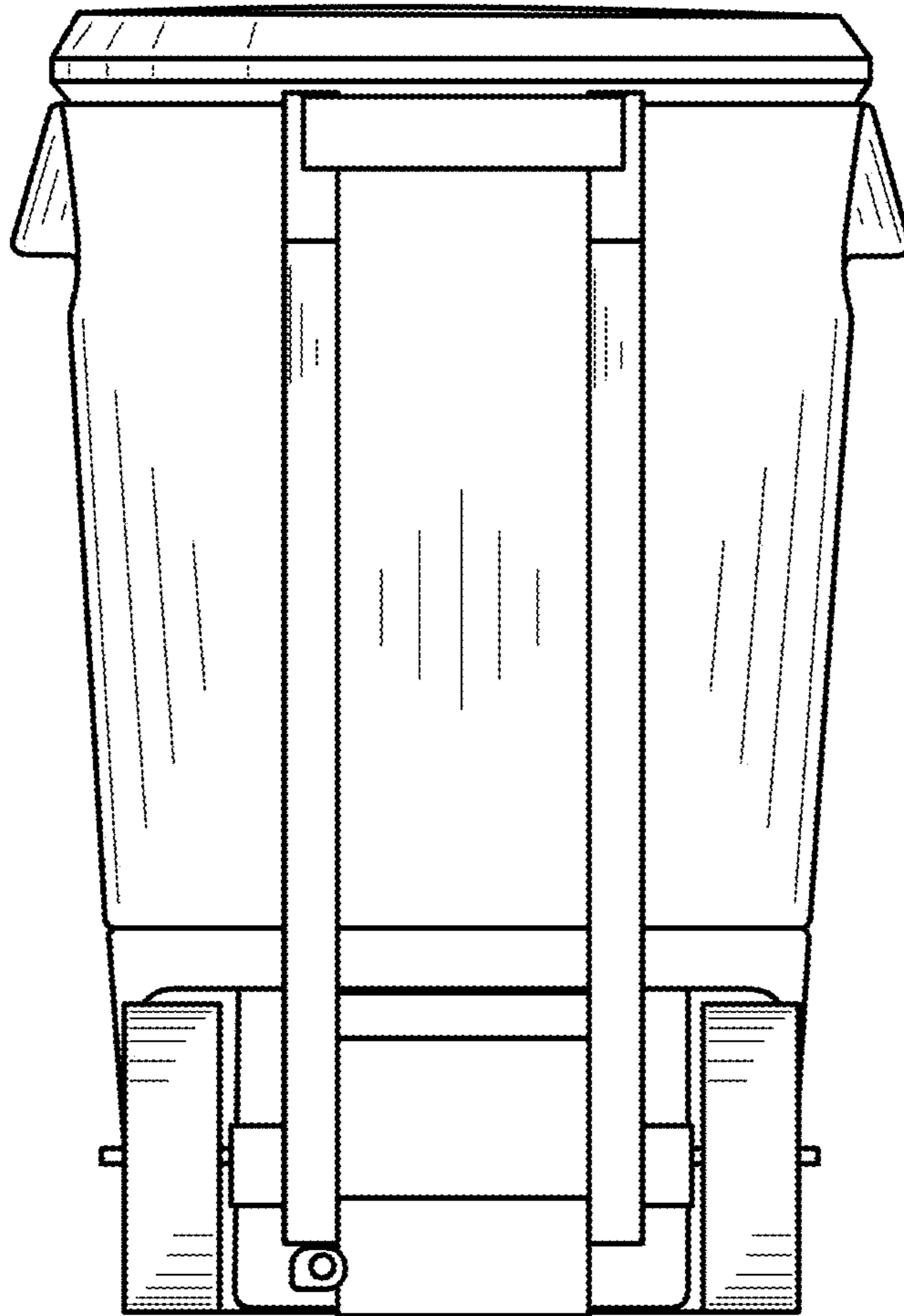


FIG. 6

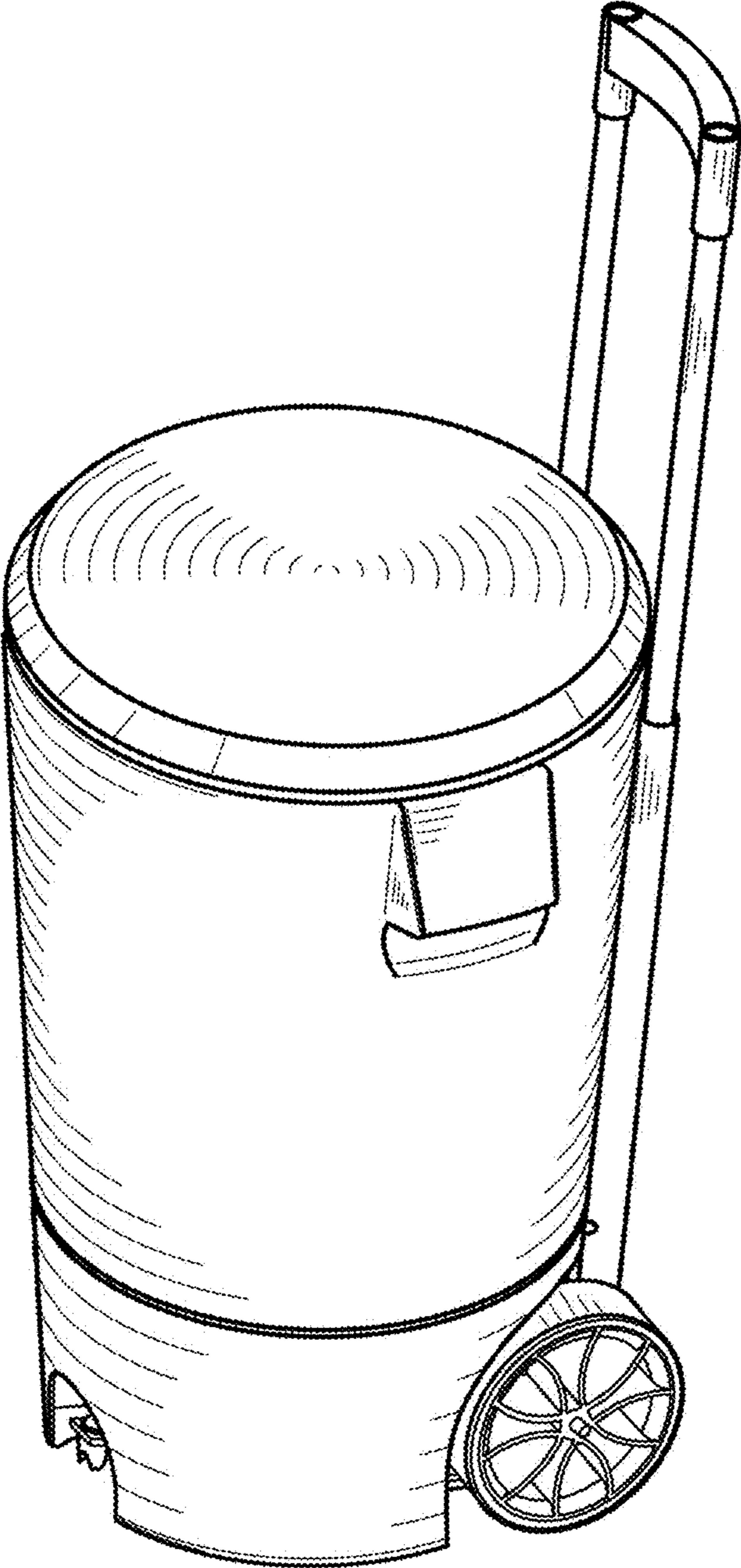


FIG. 7

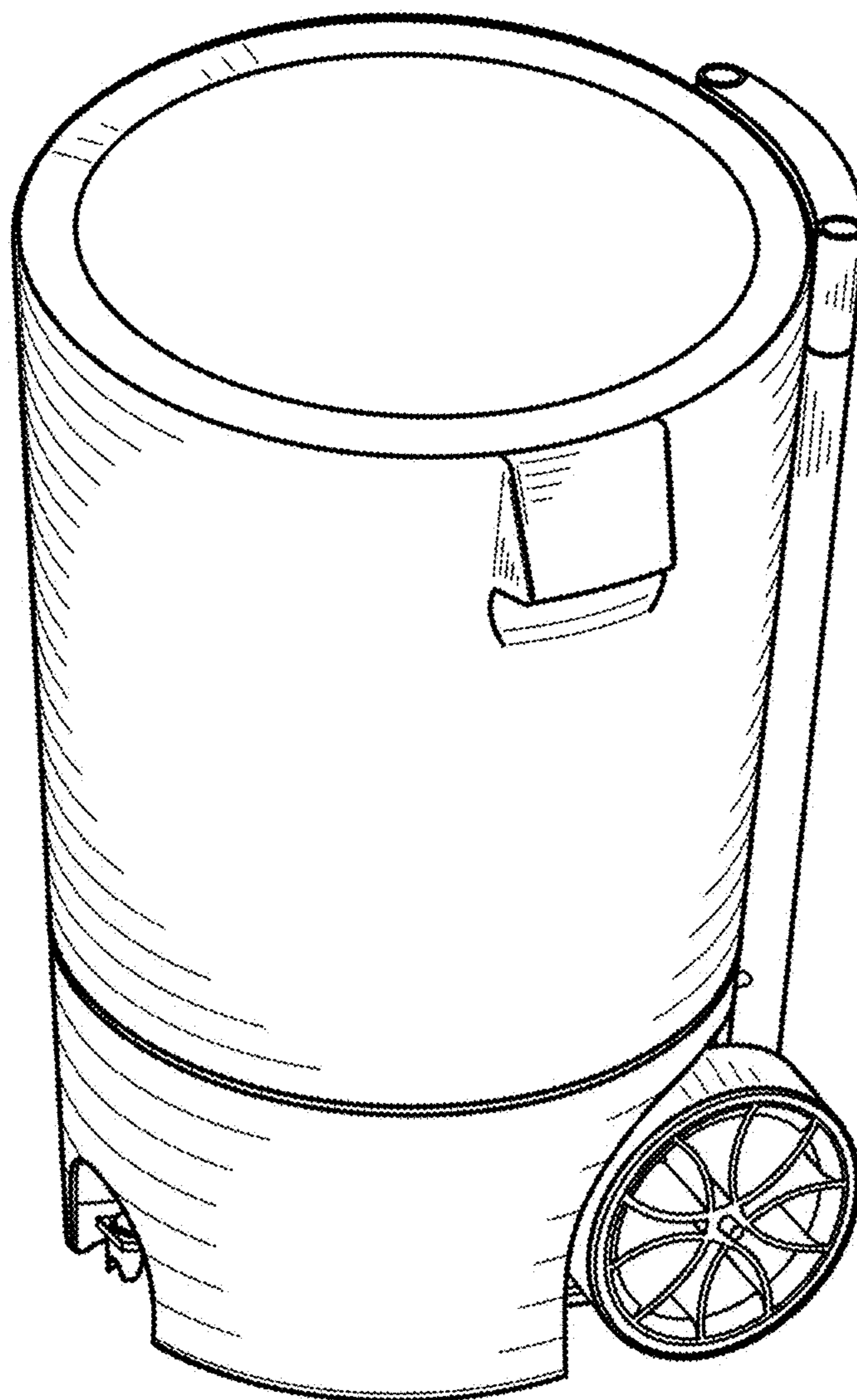


FIG. 8

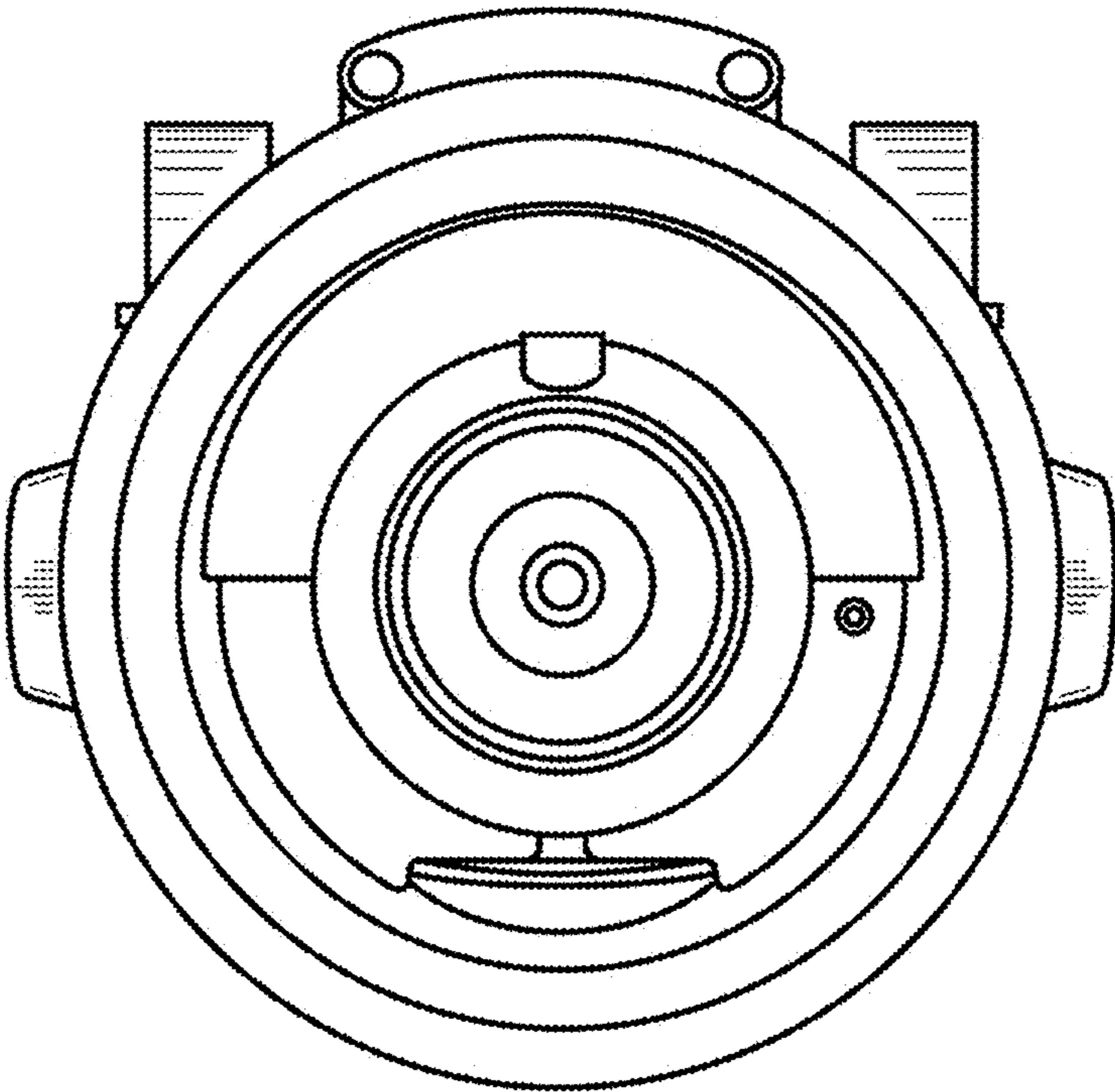


FIG. 9

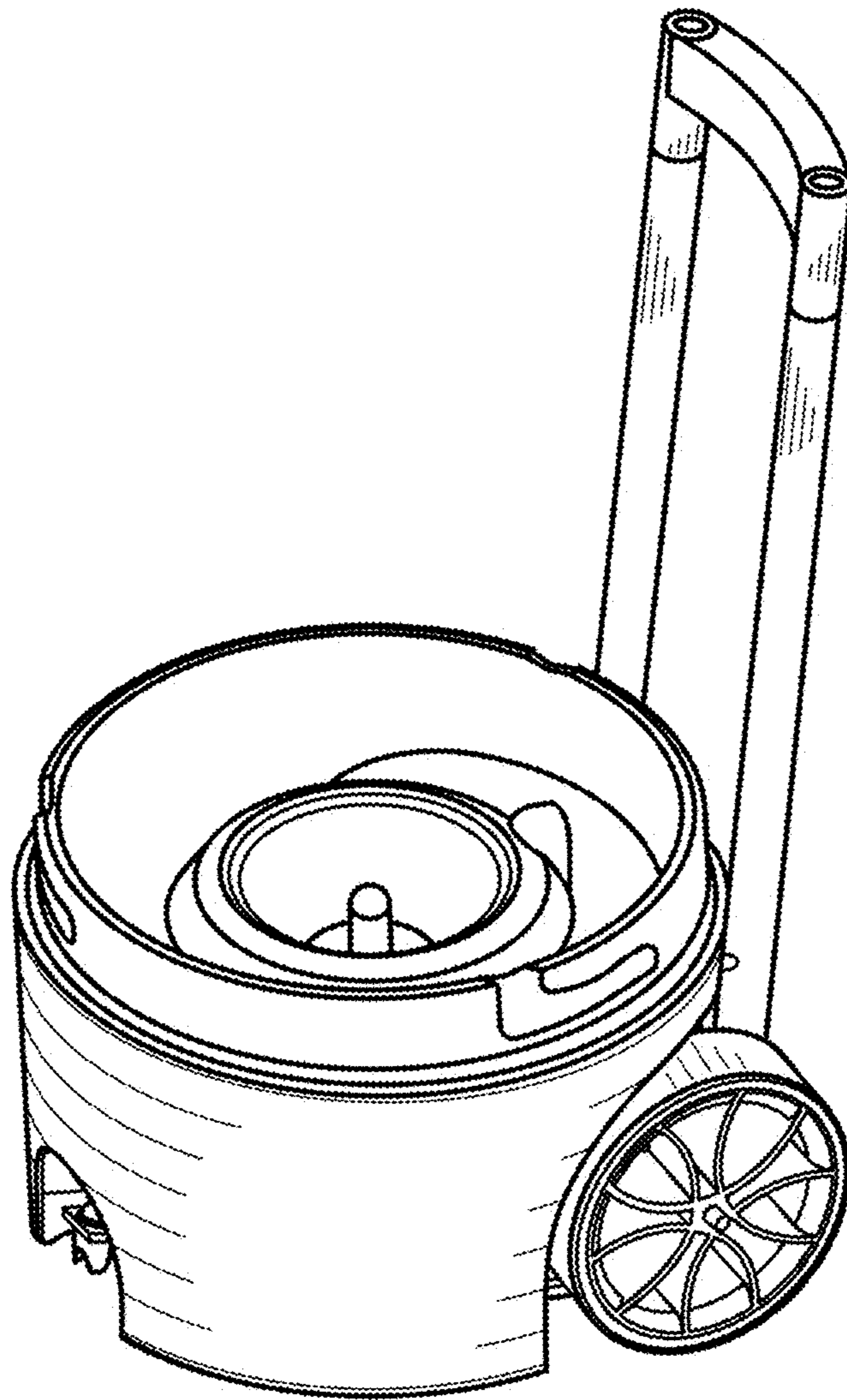


FIG. 10

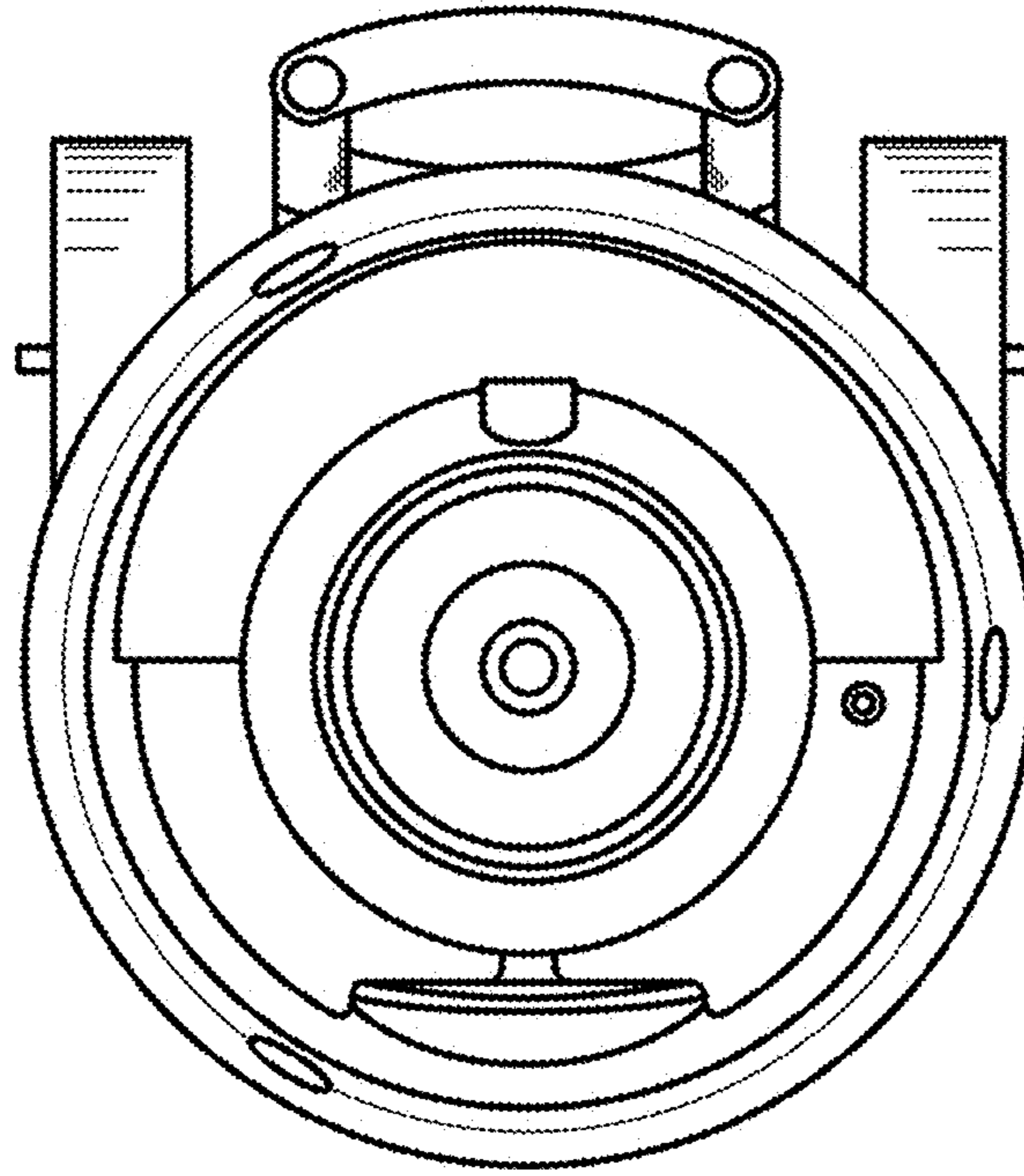


FIG. 11

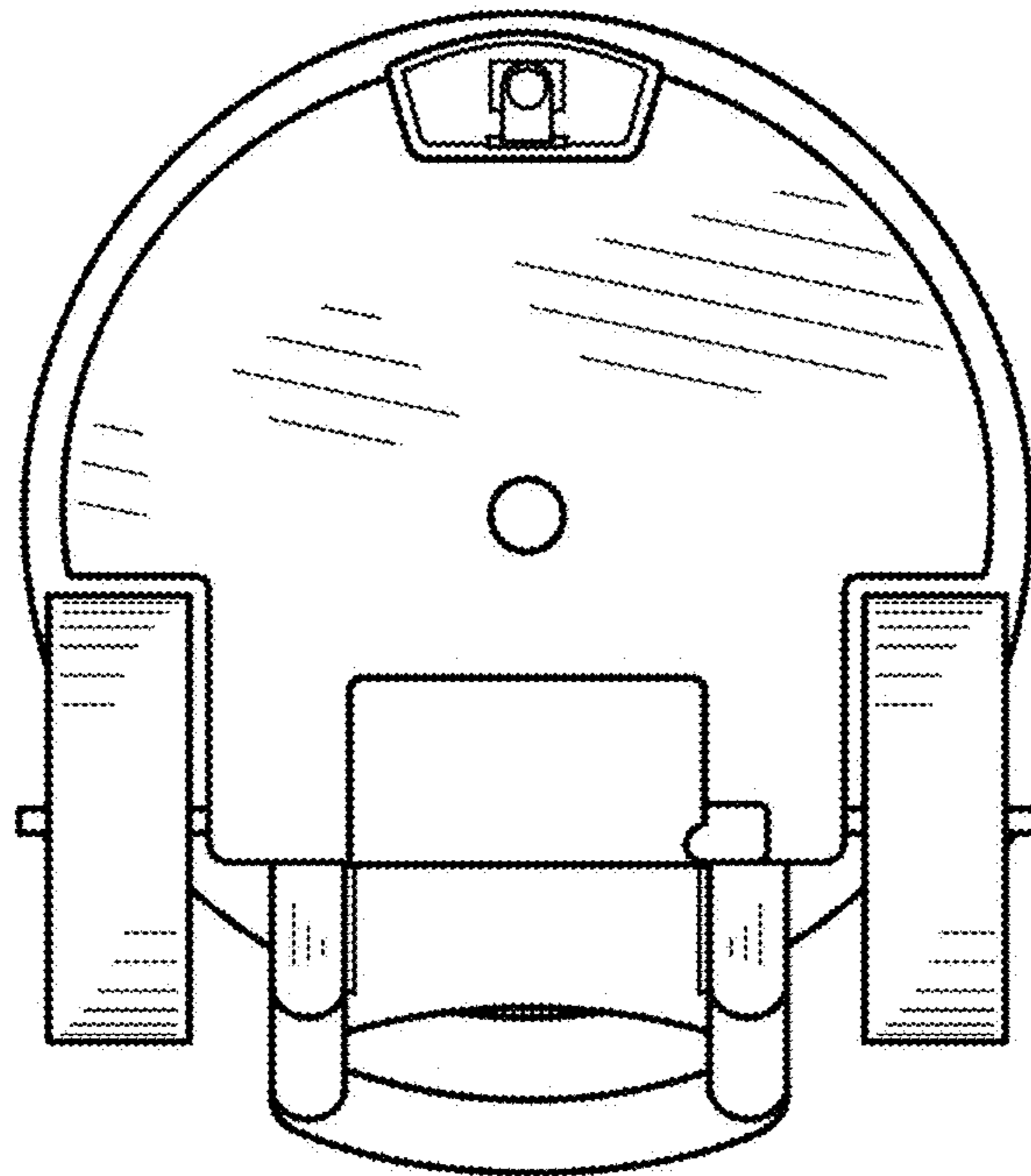


FIG. 12

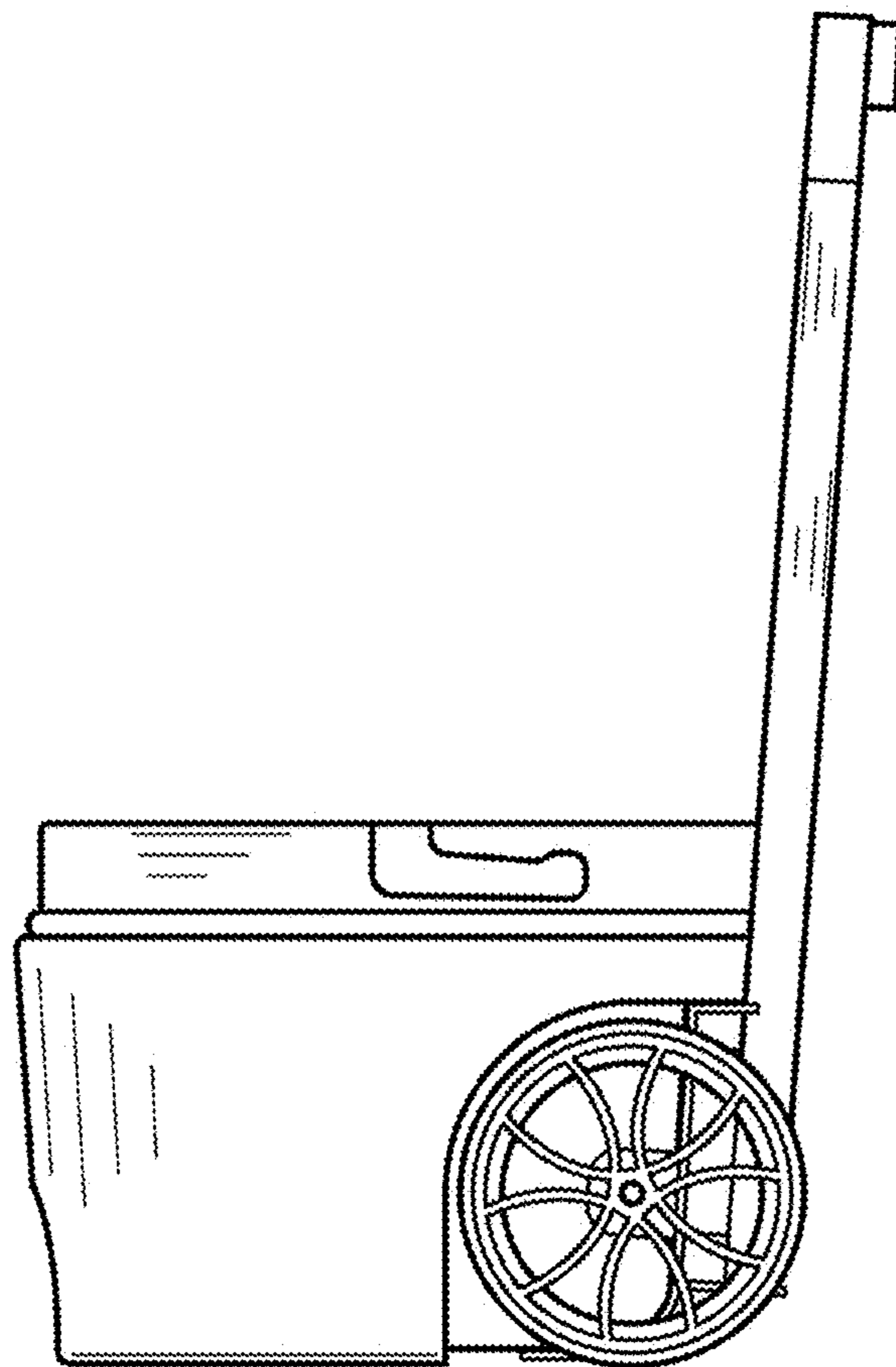


FIG. 13

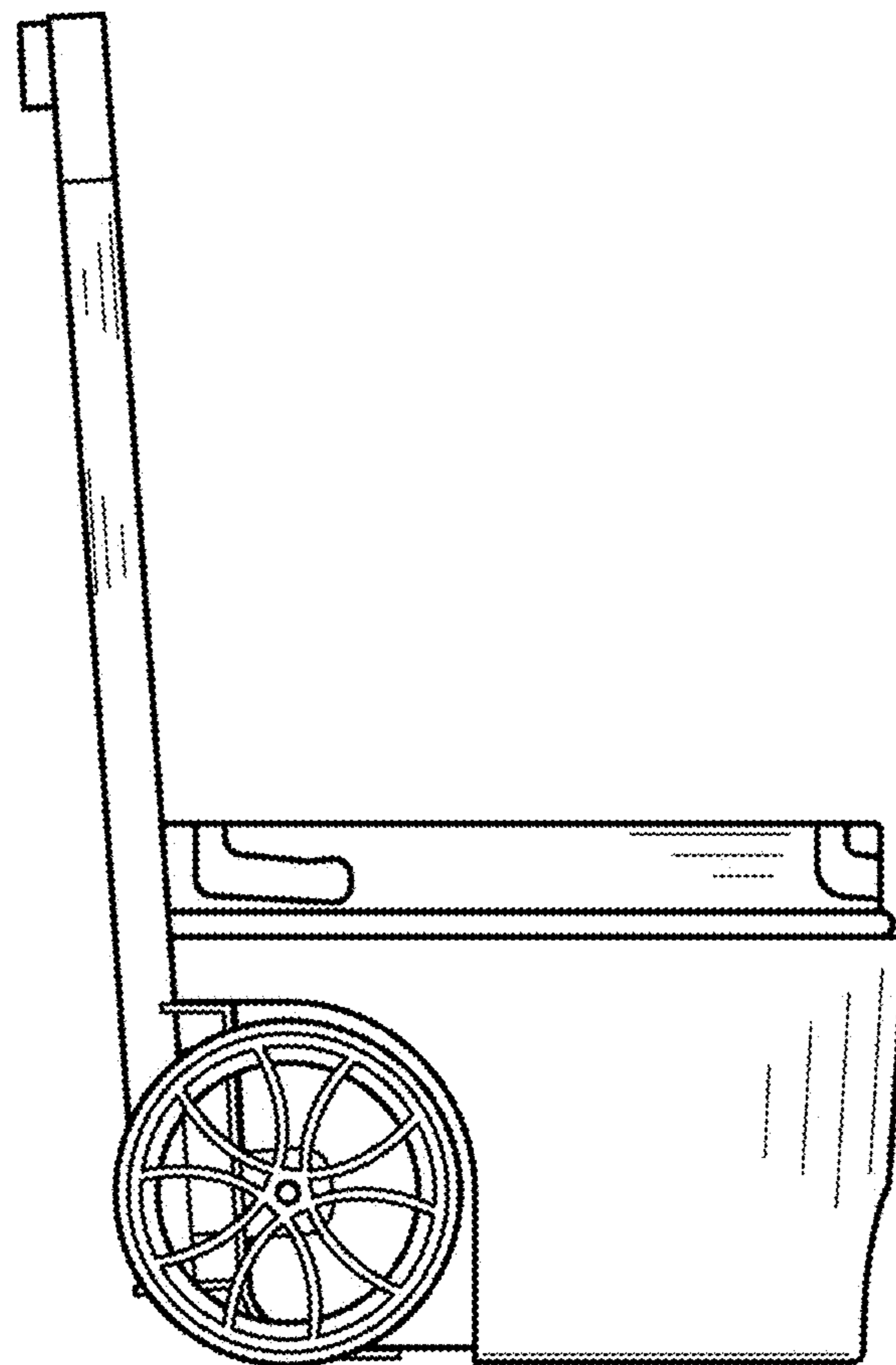


FIG. 14

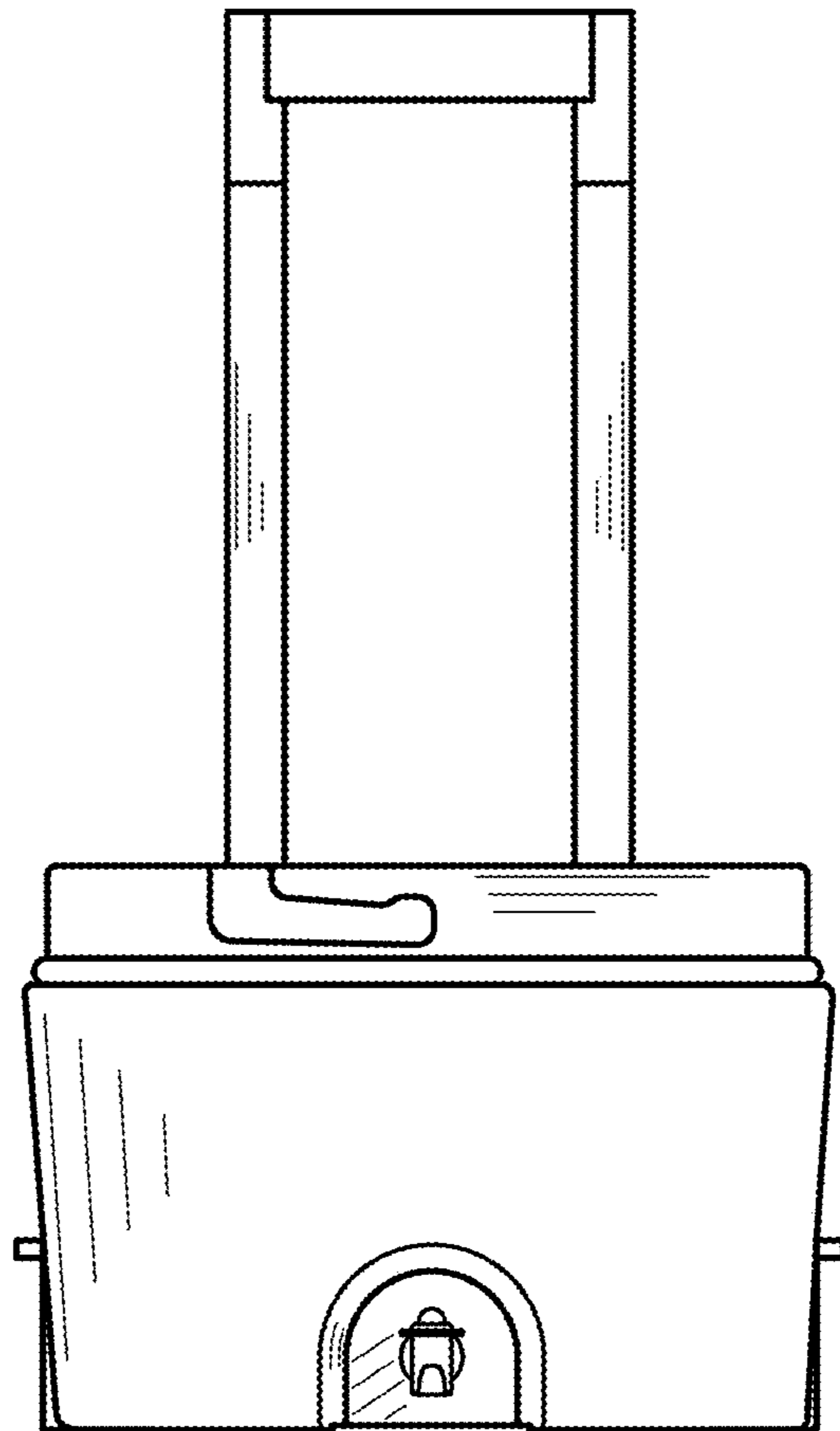


FIG. 15

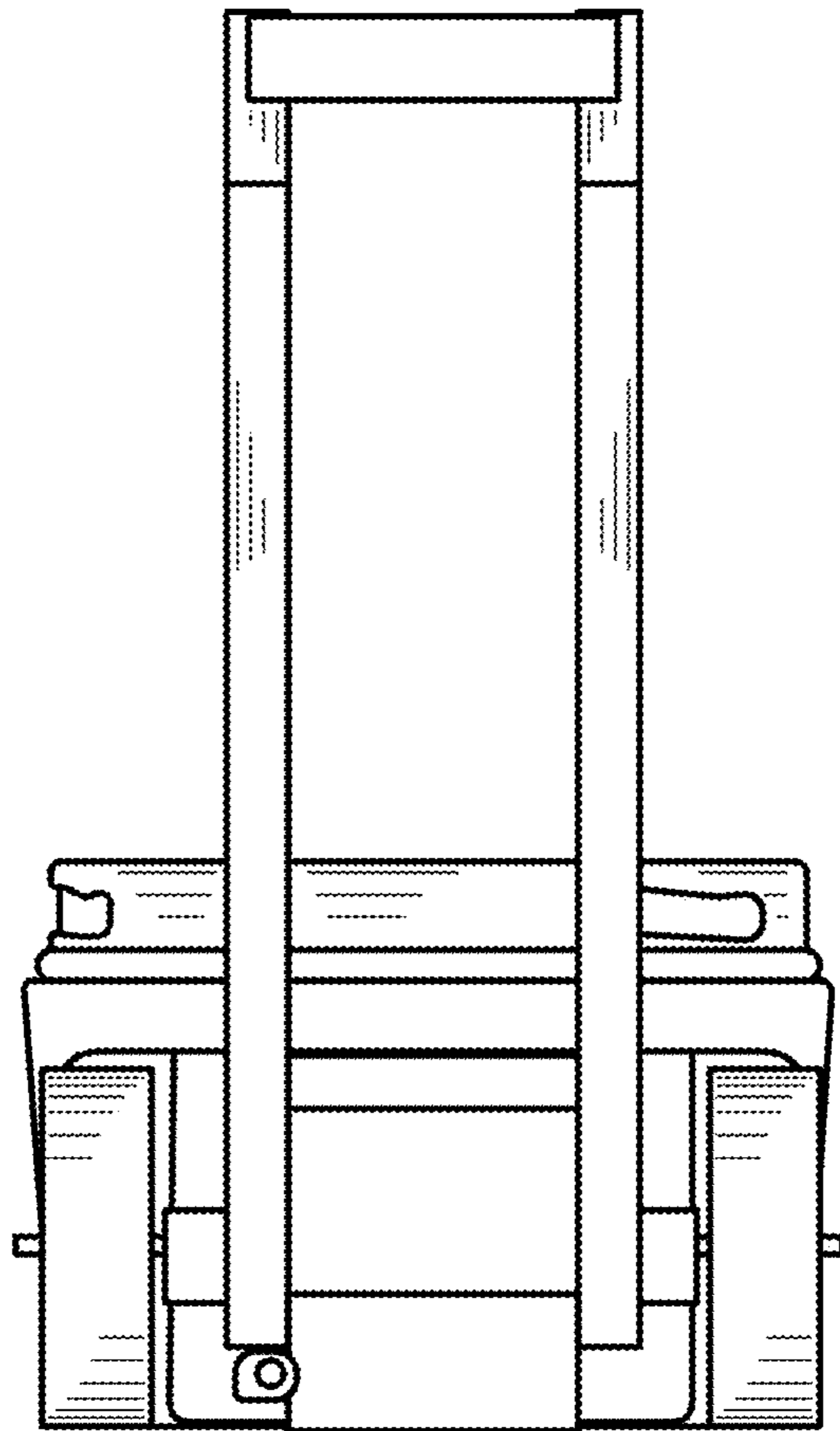


FIG. 16