



US00D874203S

(12) **United States Design Patent** (10) **Patent No.:** **US D874,203 S**  
**Hecht et al.** (45) **Date of Patent:** **\*\* Feb. 4, 2020**

(54) **BEVERAGE DISPENSING TOWER**  
(71) Applicant: **AUTOMATIC BAR CONTROLS, INC.**, Vacaville, CA (US)  
(72) Inventors: **Thomas R. Hecht**, Winters, CA (US);  
**Bret D. Baker**, Vacaville, CA (US);  
**Steven D. Chappell**, Windsor, CO (US)  
(73) Assignee: **Automatic Bar Controls, Inc.**,  
Vacaville, CA (US)

D268,977 S \* 5/1983 Marotta ..... D7/309  
D287,089 S \* 12/1986 Cesaroni ..... D7/308  
D340,616 S \* 10/1993 Williams ..... D7/311  
D369,937 S \* 5/1996 Guadalupi ..... D7/300  
D450,974 S \* 11/2001 Scullion ..... D7/306  
D643,682 S \* 8/2011 Asthon ..... D7/397  
D646,105 S \* 10/2011 Deo ..... D7/306  
D655,122 S \* 3/2012 Bingul ..... D7/306

(Continued)

(\*\*) Term: **15 Years**  
(21) Appl. No.: **29/646,250**  
(22) Filed: **May 2, 2018**

**OTHER PUBLICATIONS**

U.S. Appl. No. 29/570,428, "Notice of Allowance", dated Feb. 2, 2018, 7 pages.

(Continued)

*Primary Examiner* — Marianne N Pandozzi  
(74) *Attorney, Agent, or Firm* — Kilpatrick Townsend & Stockton LLP

**Related U.S. Application Data**

(62) Division of application No. 29/570,428, filed on Jul. 7, 2016, now Pat. No. Des. 819,383.  
(51) **LOC (12) Cl.** ..... **07-01**  
(52) **U.S. Cl.**  
USPC ..... **D7/306; D7/397; D7/398**  
(58) **Field of Classification Search**  
USPC ..... D7/305–311, 313, 398, 397; D15/82;  
222/129.1, 146.6; 99/295  
CPC ..... A47J 31/44; A47J 31/4403; A47J 31/46;  
A47J 31/4482; A47J 31/369; A47J  
31/407; A47J 31/10; A47J 31/467; A47J  
31/0615; A47J 31/3614; B67D 1/36;  
B67D 2210/0065; B67D 1/0864; B67D  
3/0061; A47F 3/16  
See application file for complete search history.

(57) **CLAIM**

The ornamental design for a beverage dispensing tower, as shown and described.

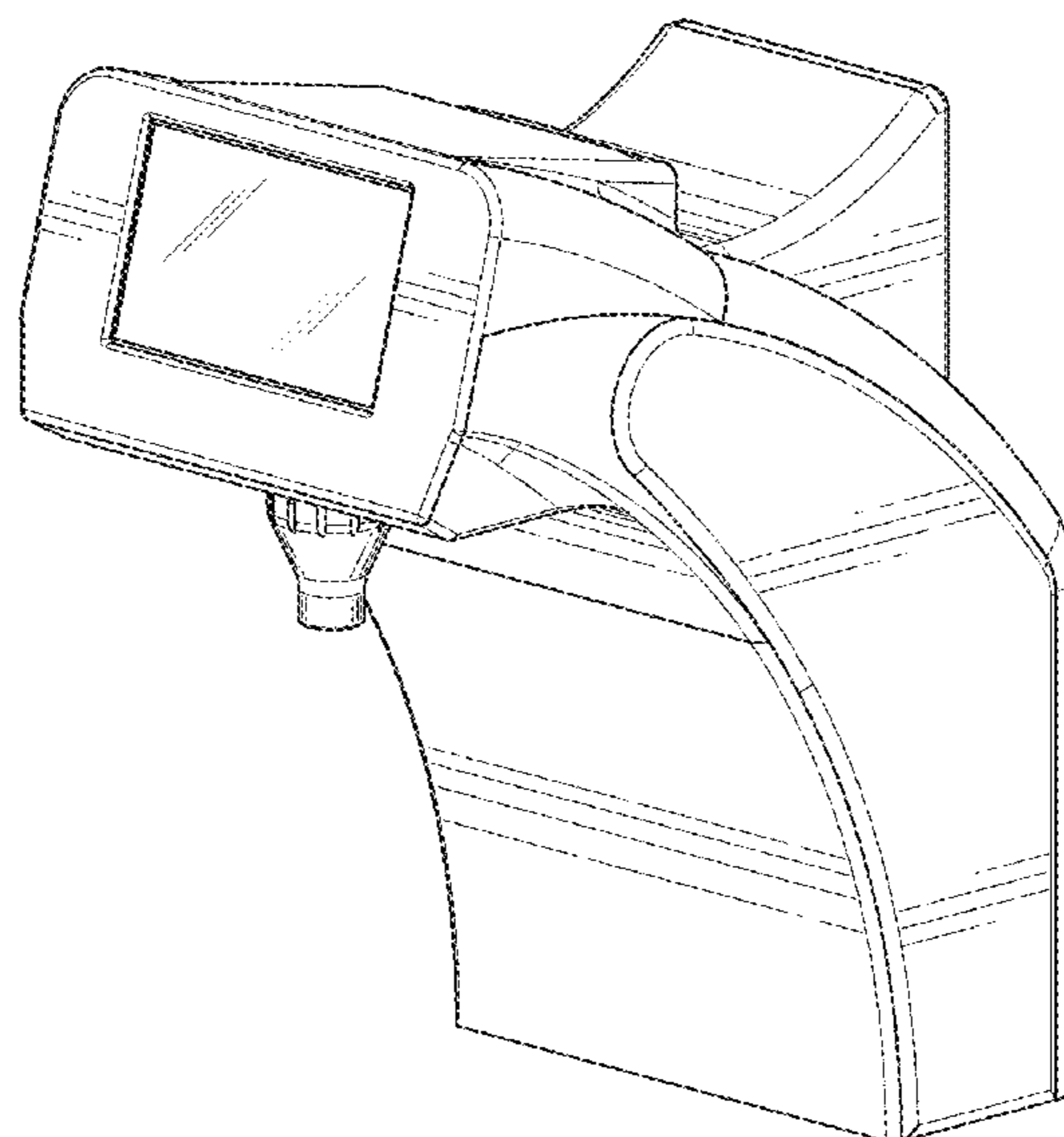
**DESCRIPTION**

FIG. 1 is a perspective view of a beverage dispensing tower, showing our new design;  
FIG. 2 is a front left side perspective view thereof;  
FIG. 3 is rear perspective view thereof;  
FIG. 4 is a front view thereof;  
FIG. 5 is a rear view thereof;  
FIG. 6 is a top view thereof;  
FIG. 7 is a right side view thereof, the left side view thereof is a mirror image of the right side view;  
FIG. 8 is a perspective view thereof including environmental subject matter; and,  
FIG. 9 is a perspective view thereof including environmental subject matter.  
The broken lines in the drawings depict environmental subject matter only and form no part of the claimed design.

(56) **References Cited**  
U.S. PATENT DOCUMENTS

D202,688 S \* 11/1965 Cornellus et al. .... D7/311  
D256,125 S \* 7/1980 Erickson ..... D7/398  
D259,725 S \* 6/1981 Wasserstrom ..... D7/308

**1 Claim, 9 Drawing Sheets**



(56)

**References Cited**

U.S. PATENT DOCUMENTS

D655,123 S \* 3/2012 Bingul ..... D7/306  
D682,597 S \* 5/2013 Bingul ..... D7/306  
D691,204 S \* 10/2013 d'Amore ..... D20/1  
D704,492 S \* 5/2014 Broen ..... D7/306  
D727,673 S \* 4/2015 Broen ..... D7/306

OTHER PUBLICATIONS

U.S. Appl. No. 29/570,428, "Restriction Requirement", dated Oct.  
16, 2017, 8 pages.

\* cited by examiner

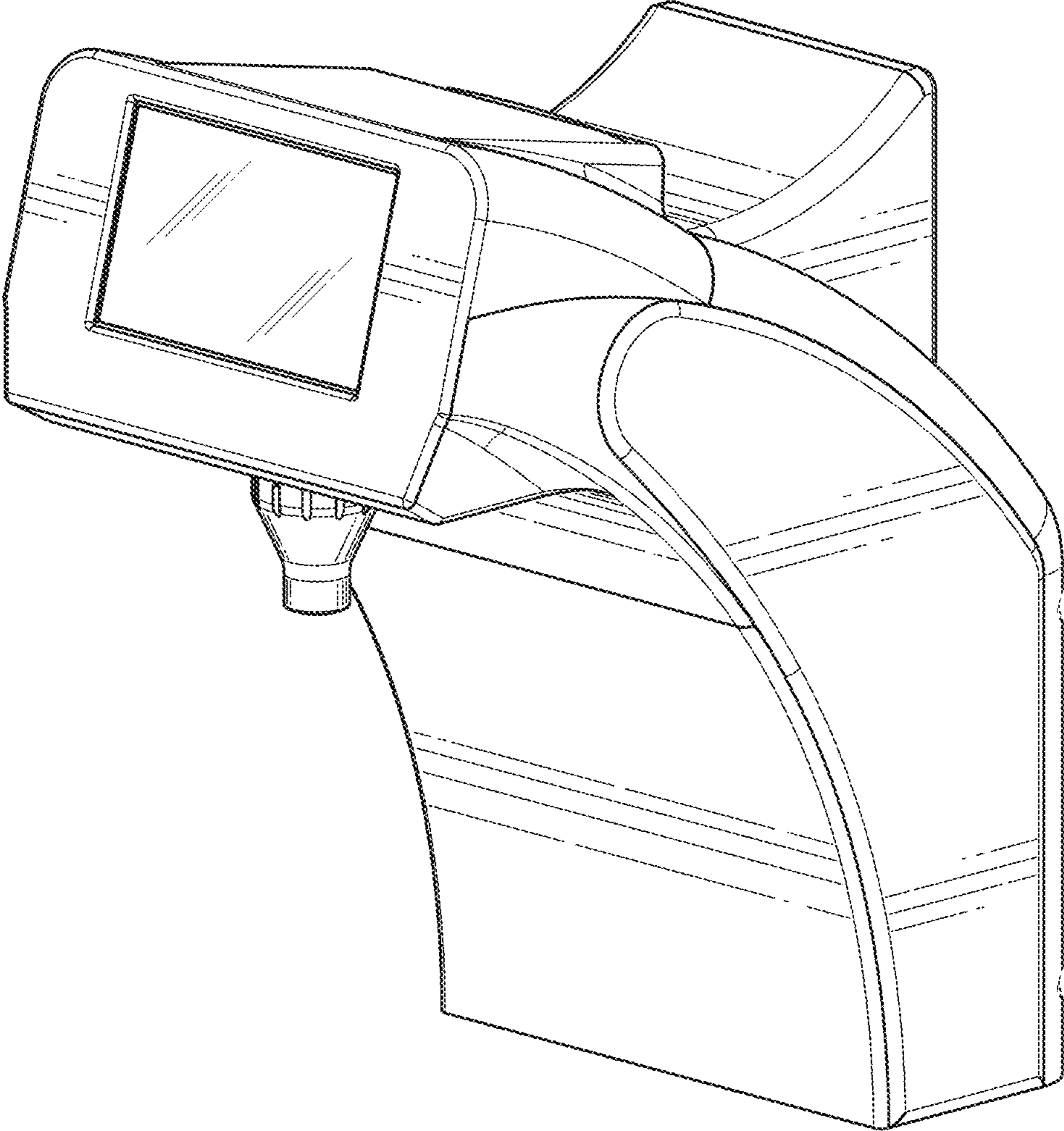


FIG. 1

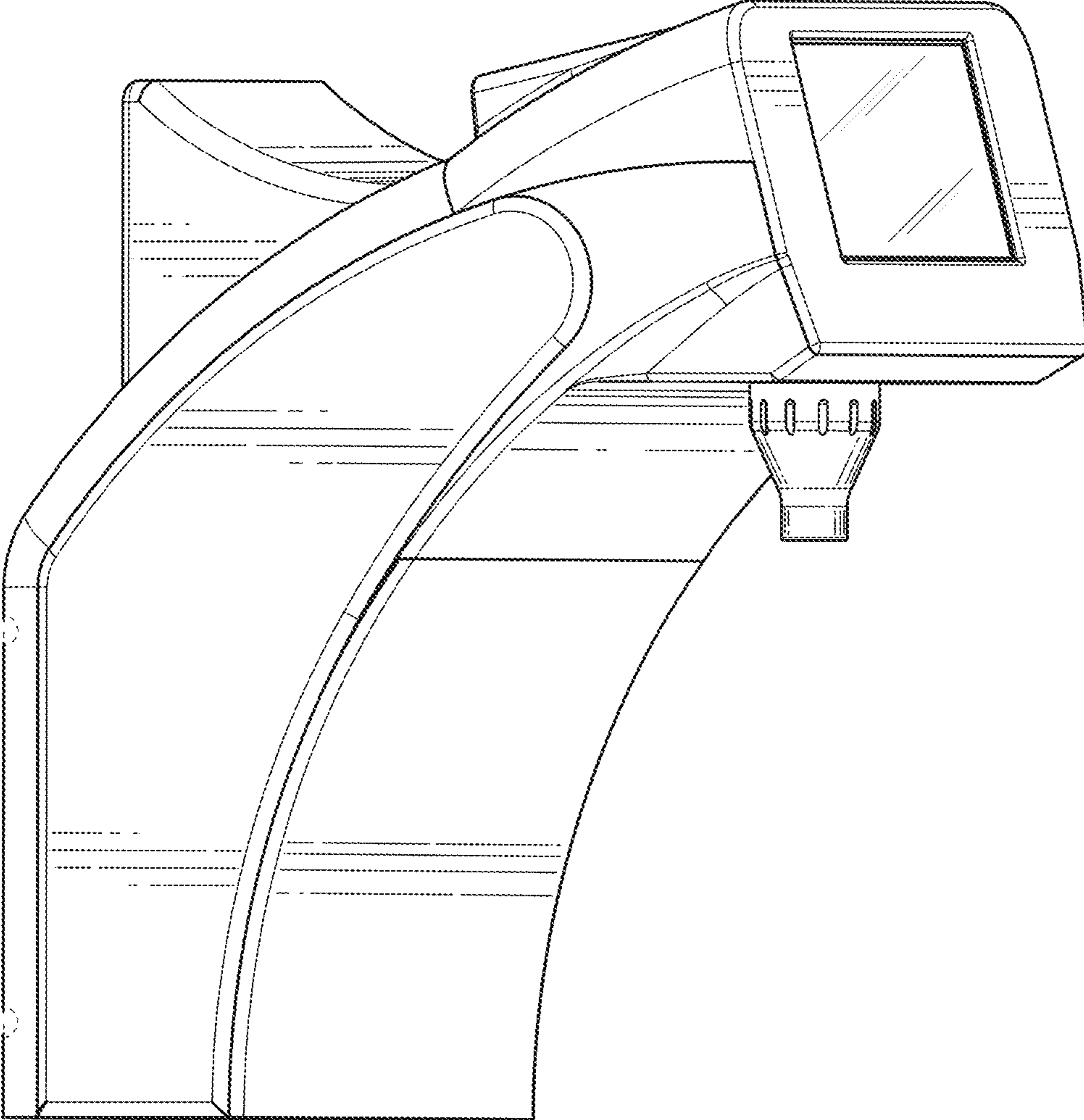


FIG. 2

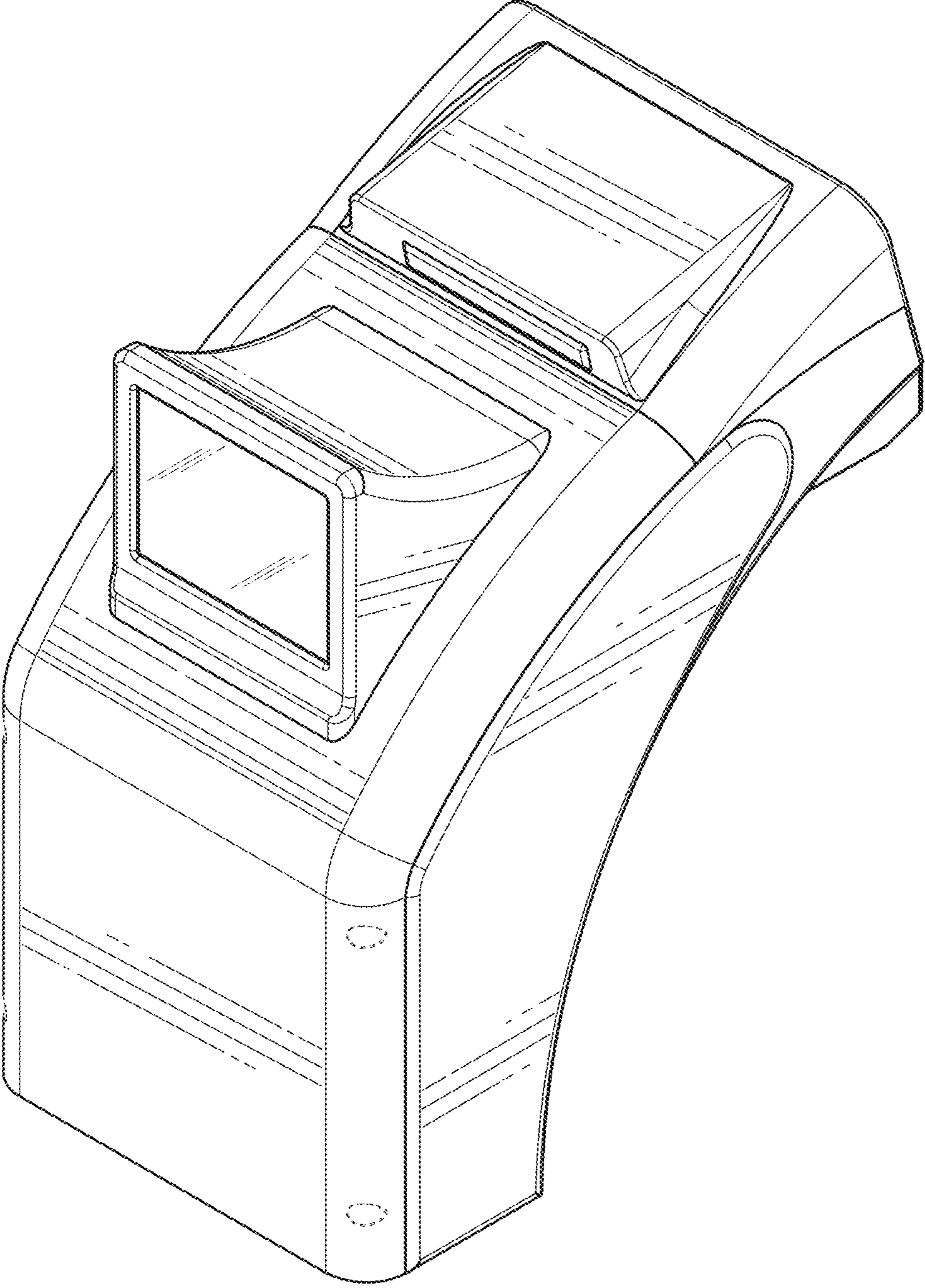


FIG. 3

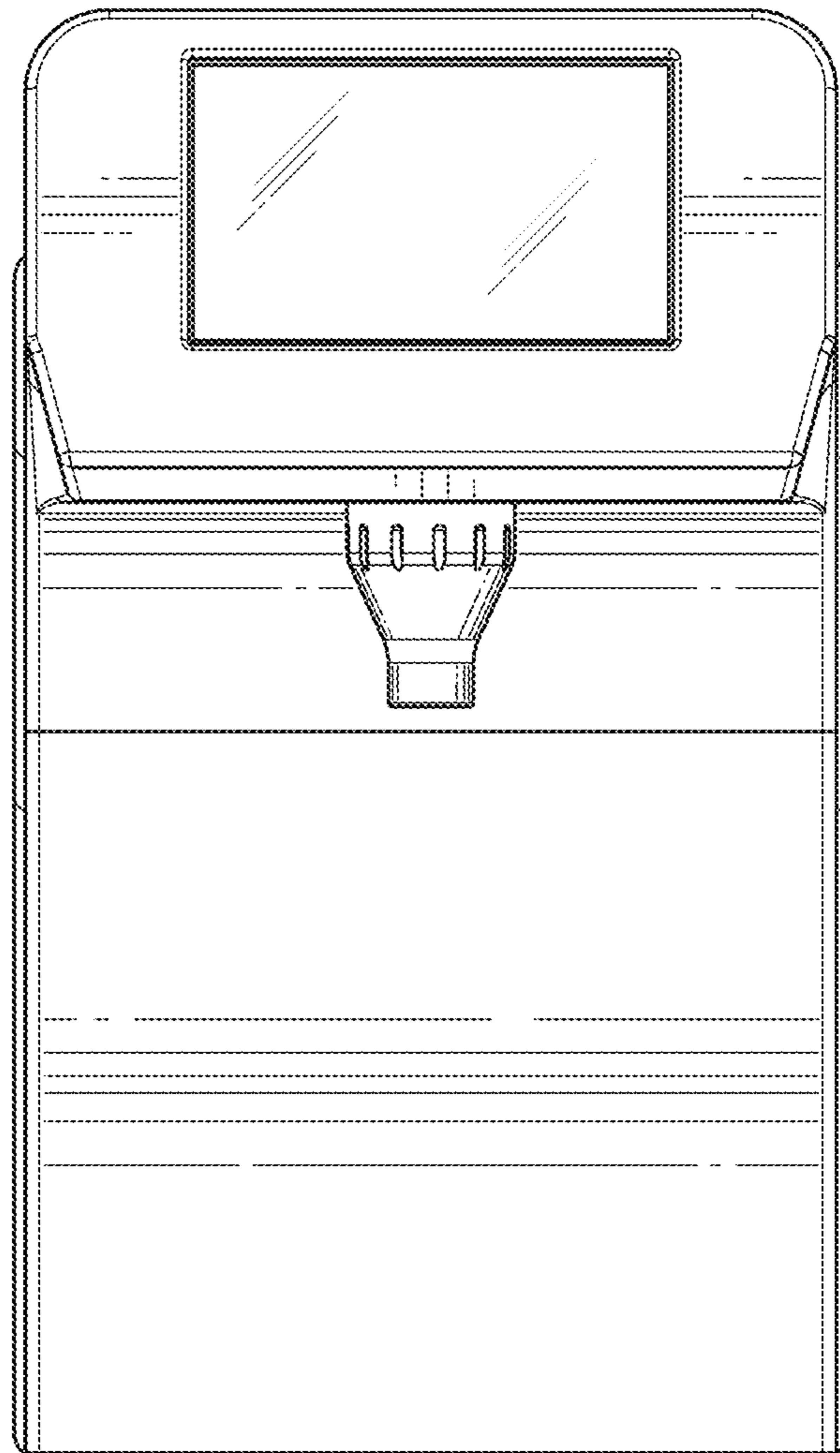


FIG. 4

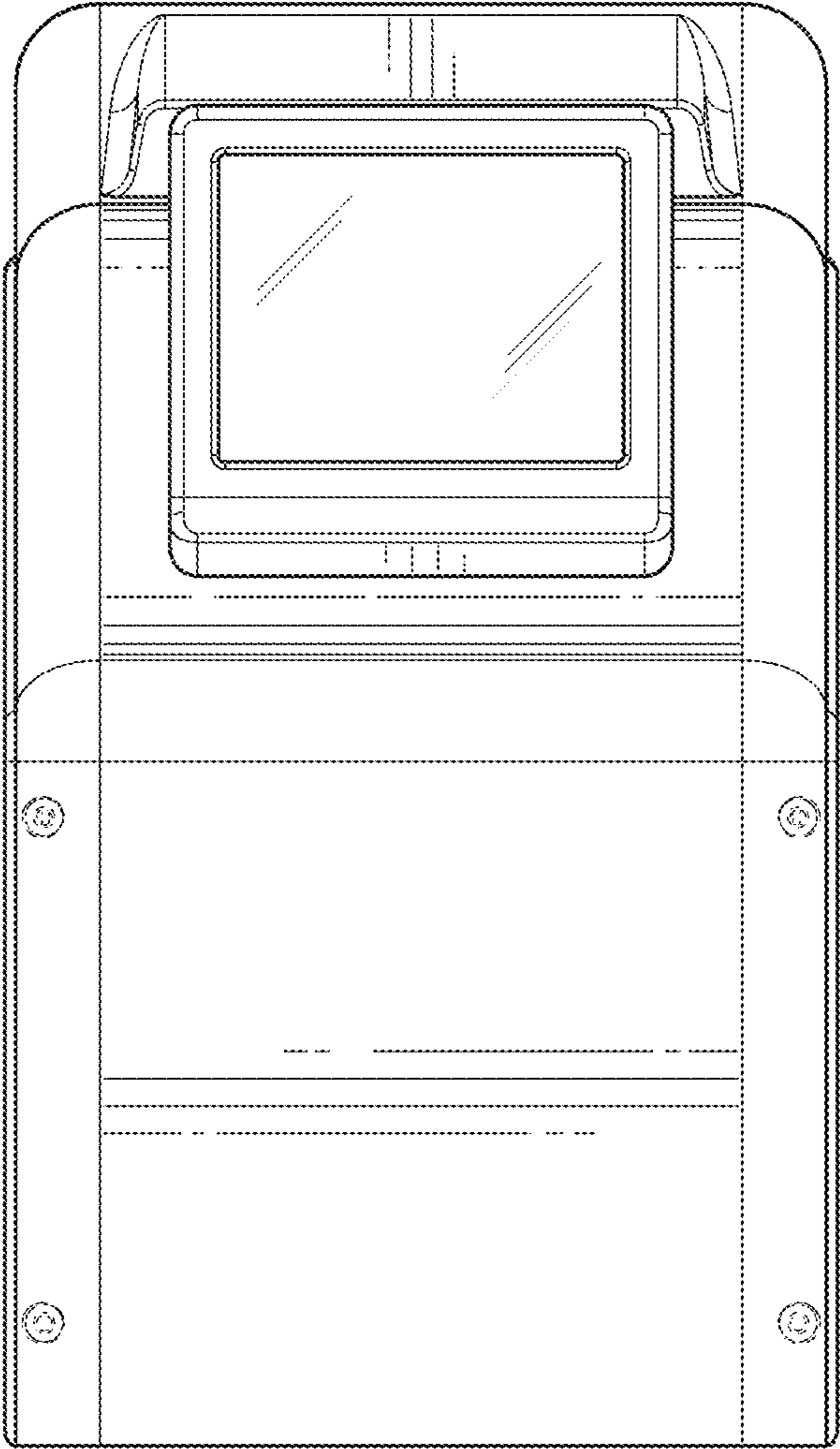


FIG. 5

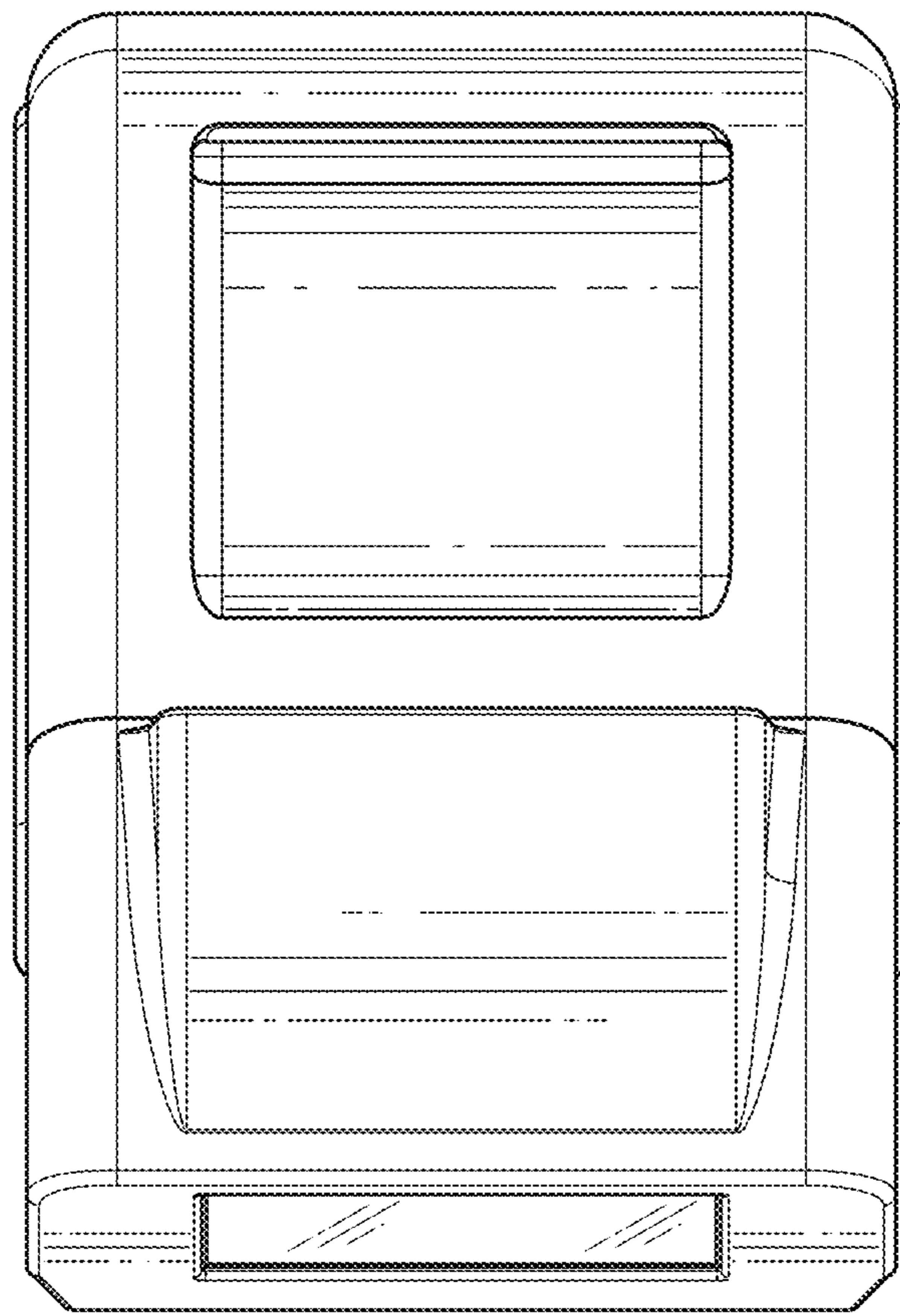


FIG. 6



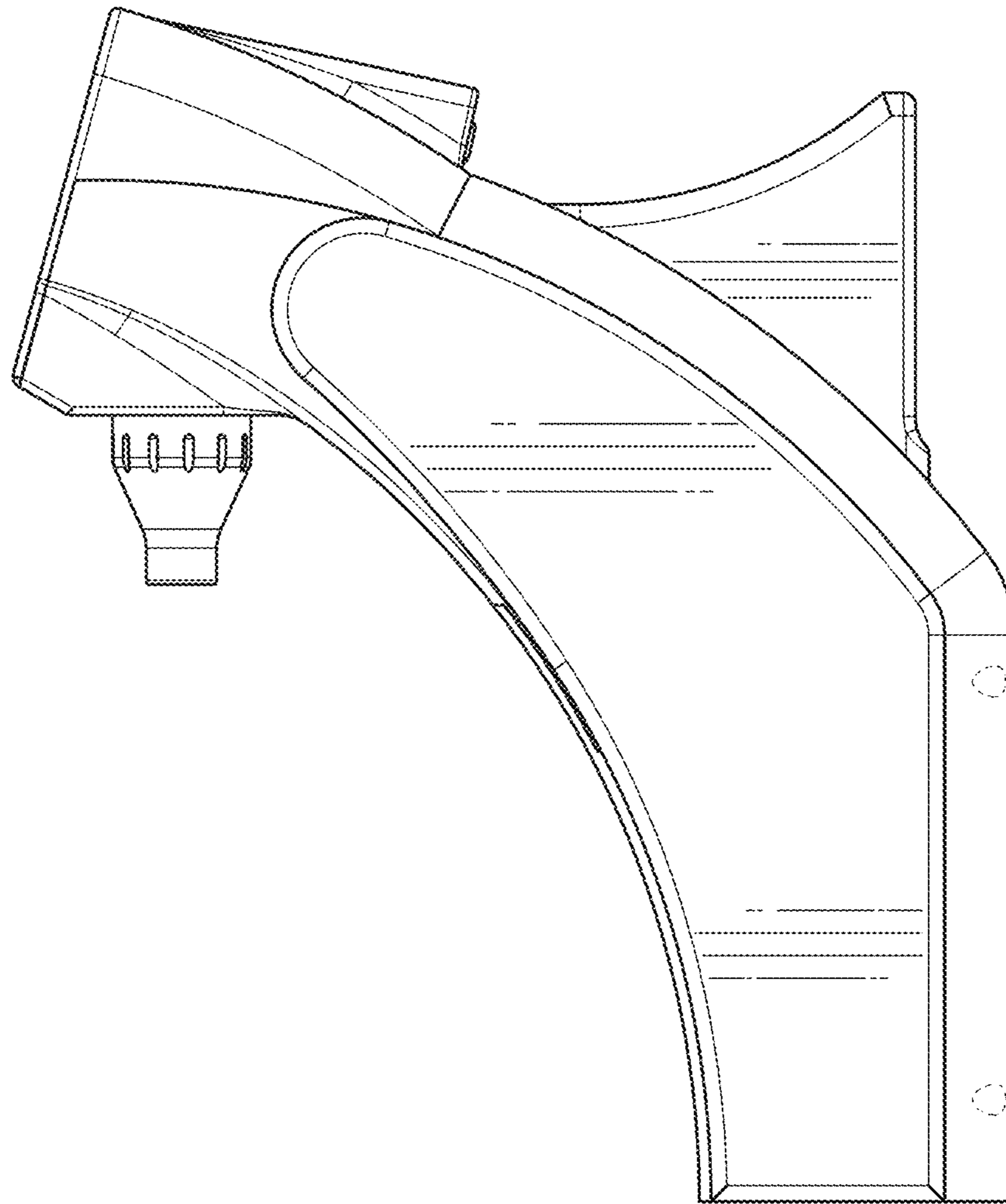


FIG. 7

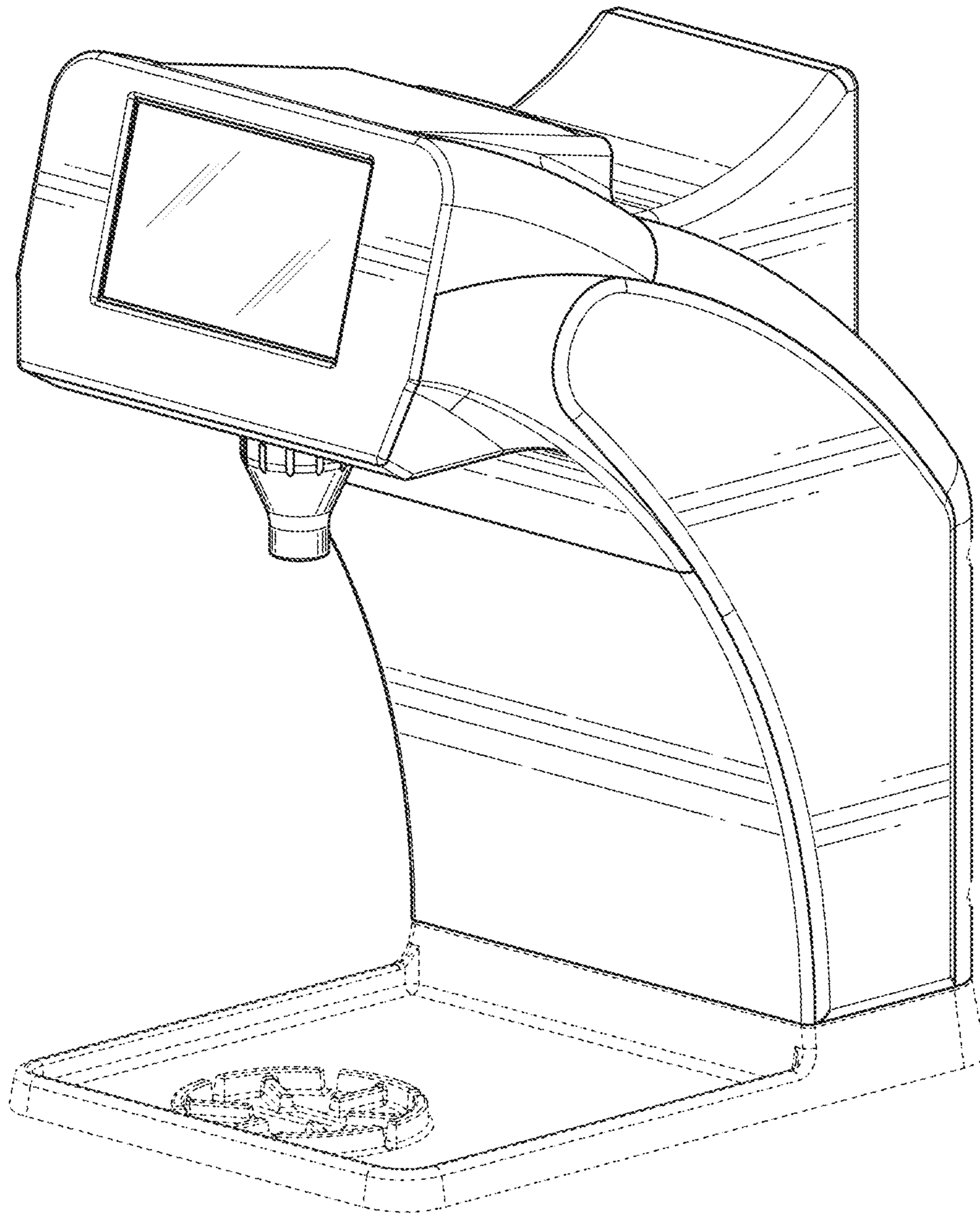


FIG. 8

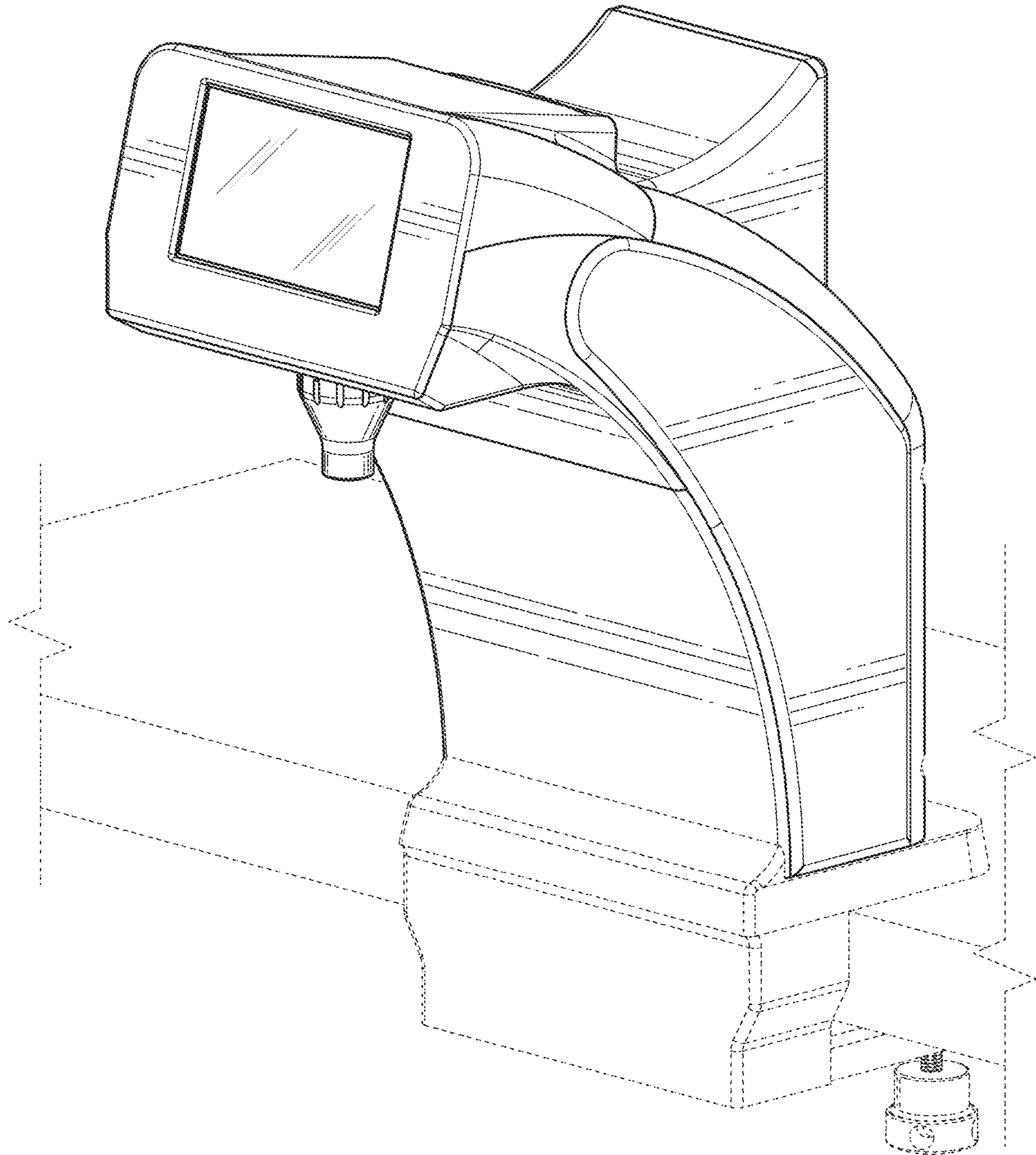


FIG. 9