



US00D874199S

(12) **United States Design Patent**
Choi et al.

(10) **Patent No.:** **US D874,199 S**
(45) **Date of Patent:** **** Feb. 4, 2020**

- (54) **DESK**
- (71) Applicant: **FELLOWES INC.**, Itasca, IL (US)
- (72) Inventors: **Taiwon Choi**, Glenview, IL (US);
Damian Hernandez, Oak Park, IL (US)
- (73) Assignee: **Fellowes Inc.**, Itasca, IL (US)
- (**) Term: **15 Years**
- (21) Appl. No.: **29/632,151**
- (22) Filed: **Jan. 5, 2018**
- (51) **LOC (12) Cl.** **06-06**
- (52) **U.S. Cl.**
USPC **D6/707**
- (58) **Field of Classification Search**
USPC ... D6/406.3, 406.6, 656, 656.1, 656.15, 691,
D6/691.3-691.5, 702, 703, 707, 707.19
CPC A47B 7/00; A47B 13/00; A47B 13/003;
A47B 13/02; A47B 13/04; A47B 13/06;
A47B 13/08; A47B 13/10; A47B 21/00;
A47B 21/0314; A47B 2021/0321; A47B
23/00; A47B 23/002; A47B 2200/0001;
A47B 2200/0011; A47B 2200/0012
See application file for complete search history.

- (56) **References Cited**
U.S. PATENT DOCUMENTS
3,991,966 A * 11/1976 Breer, II A47B 23/002
248/444
4,073,460 A * 2/1978 Dale B43M 99/00
248/174
5,085,427 A * 2/1992 Finn A63B 24/00
248/441.1

- D455,755 S * 4/2002 Levine D14/447
 - D479,751 S * 9/2003 Schofield A47C 7/68
D23/267
 - D507,131 S * 7/2005 Pingel D6/699.5
 - D661,129 S * 6/2012 Schweikarth B43M 99/00
D6/349
 - D742,670 S * 11/2015 Lee A47B 23/002
D6/707
 - D789,703 S * 6/2017 Qiao A47C 7/68
D6/406.3
 - 2012/0073476 A1 * 3/2012 Lai A47B 13/00
108/2
 - 2019/0082824 A1 * 3/2019 Matlin A47B 21/0314
- * cited by examiner

Primary Examiner — Mary Ann Calabrese
(74) *Attorney, Agent, or Firm* — Wood, Phillips, Katz,
Clark & Mortimer

(57) **CLAIM**
The ornamental design for a desk, as shown and described.

DESCRIPTION
FIG. 1 is a top right front perspective view of a desk showing my new design;
FIG. 2 is a bottom left rear view thereof;
FIG. 3 is a top plan view thereof;
FIG. 4 is a right side elevational view thereof;
FIG. 5 is a front elevational view thereof;
FIG. 6 is a rear elevational view thereof;
FIG. 7 is a bottom plan view thereof; and,
FIG. 8 is a right front perspective view thereof, showing a pedestal in broken lines to illustrate environment.
The portions of the desk shown in dotted lines do not form part of the claimed design.

1 Claim, 5 Drawing Sheets

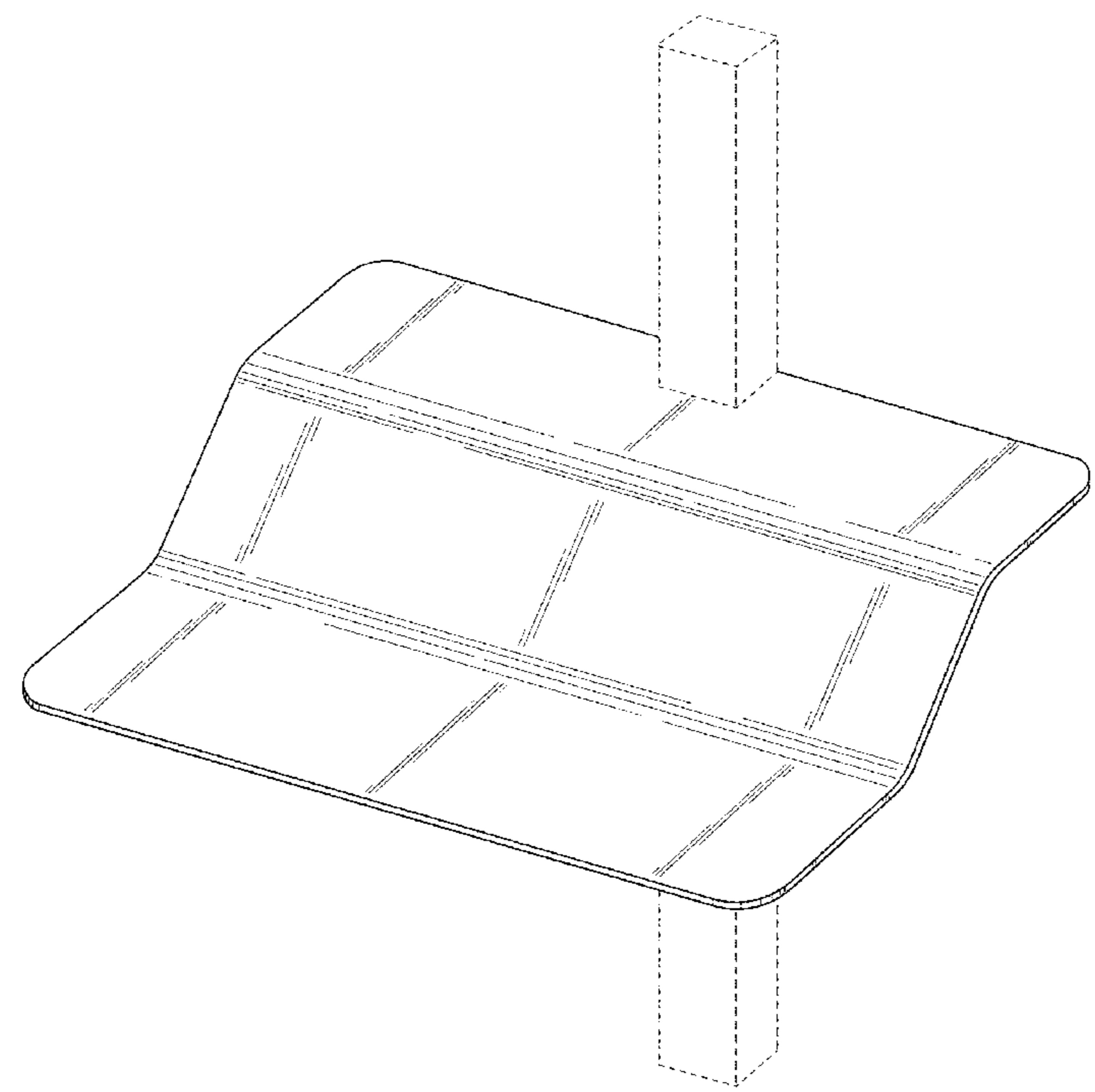


Fig. 1

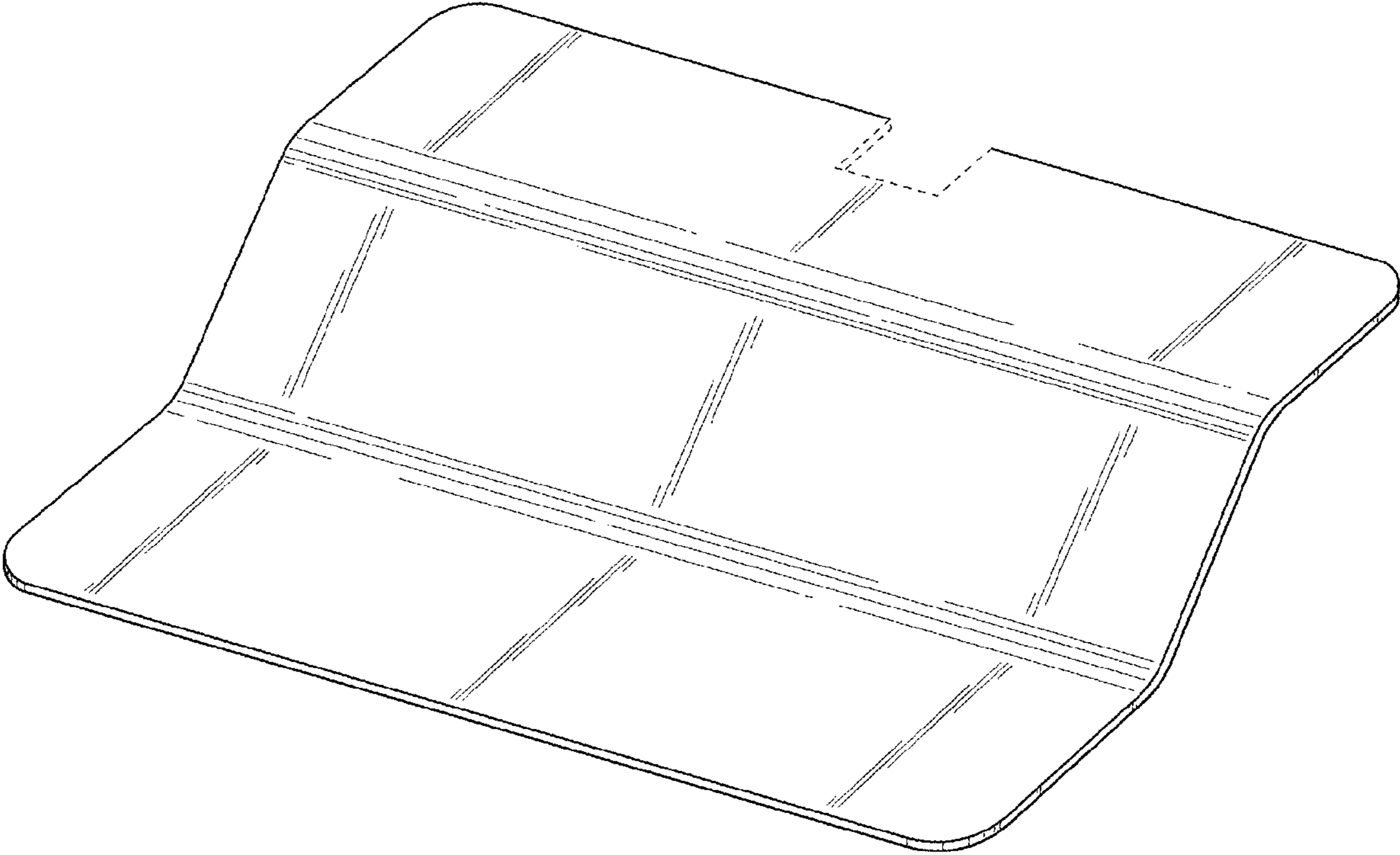


Fig. 2

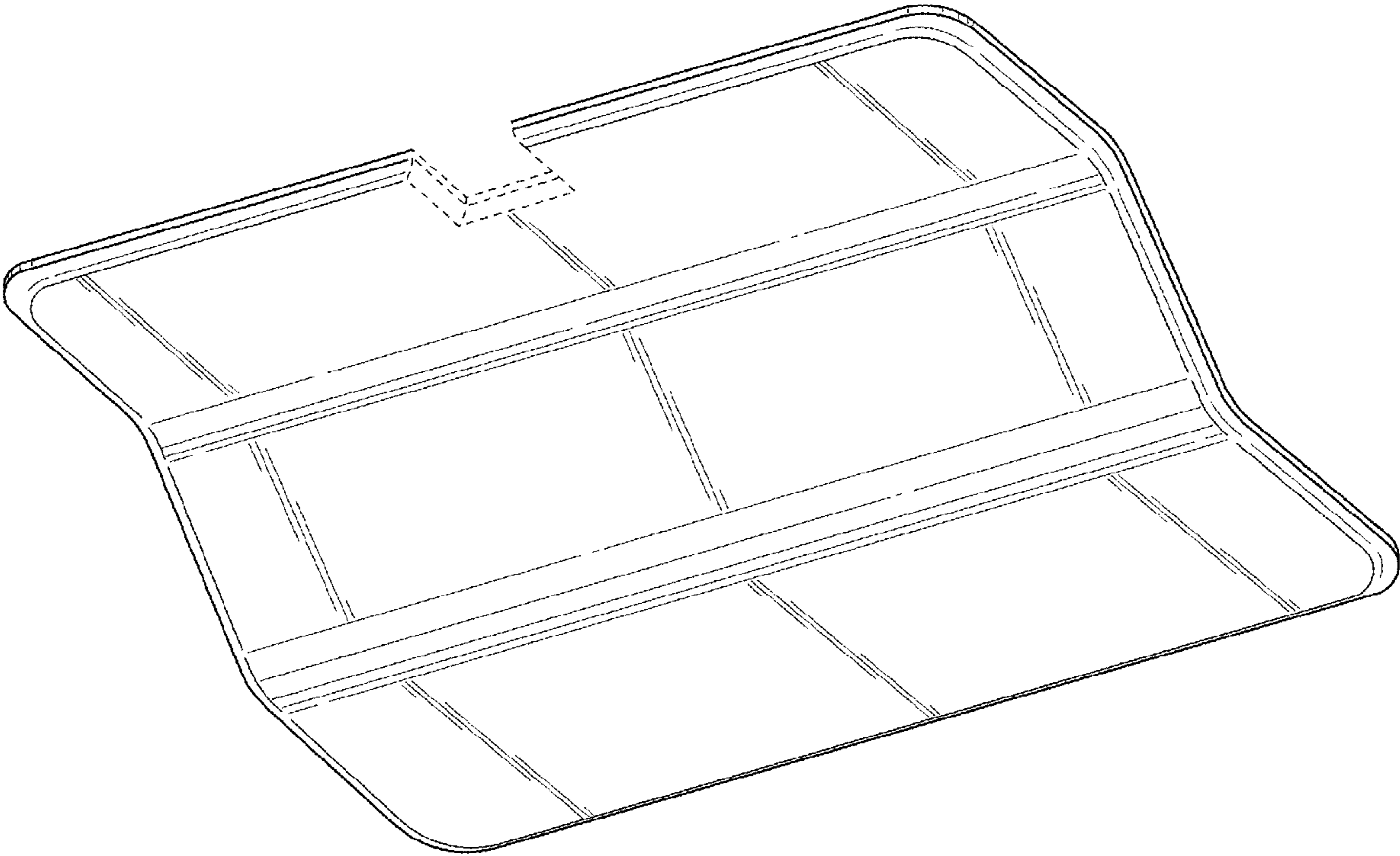


Fig. 3

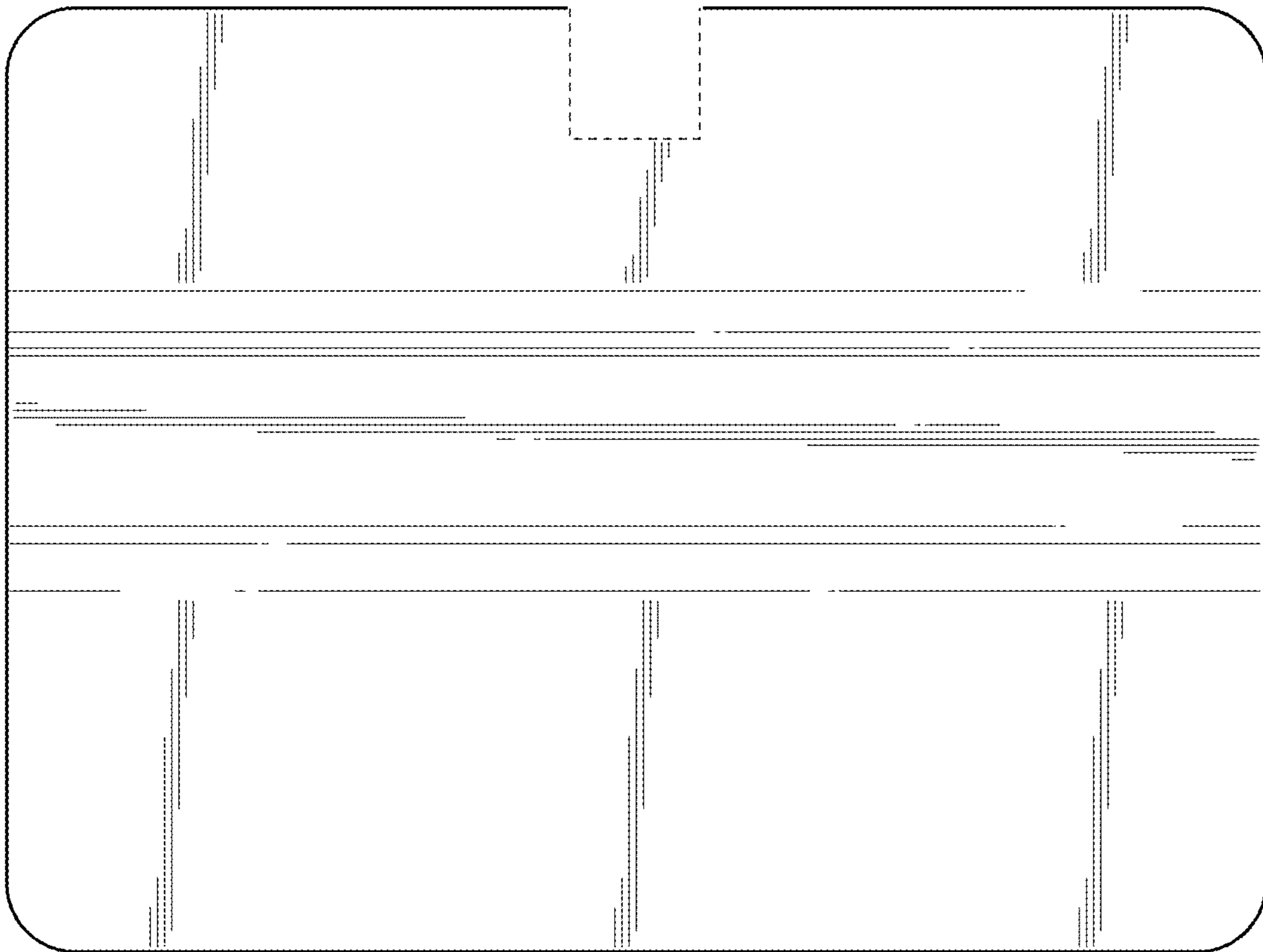


Fig. 4

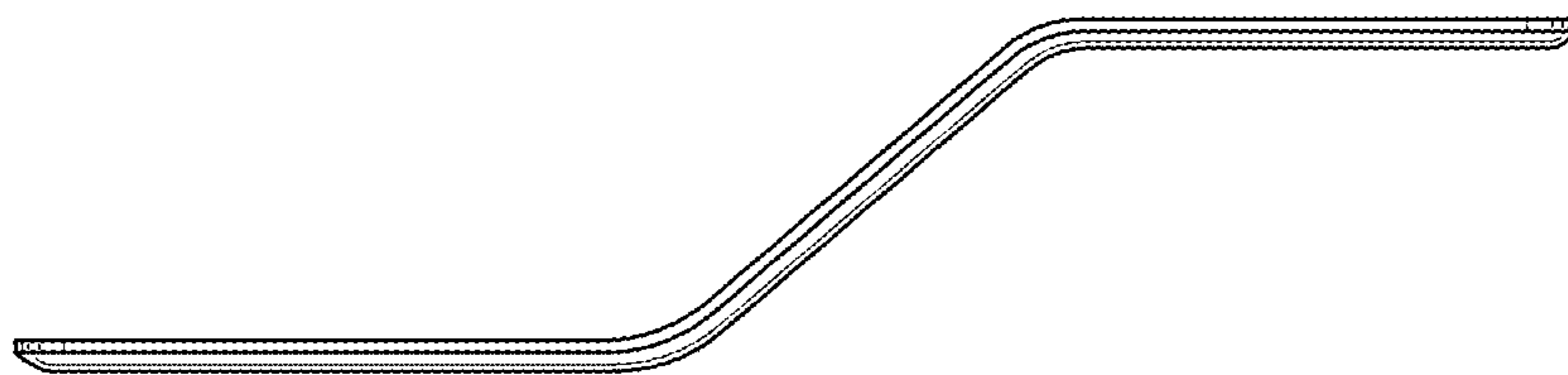


Fig. 5

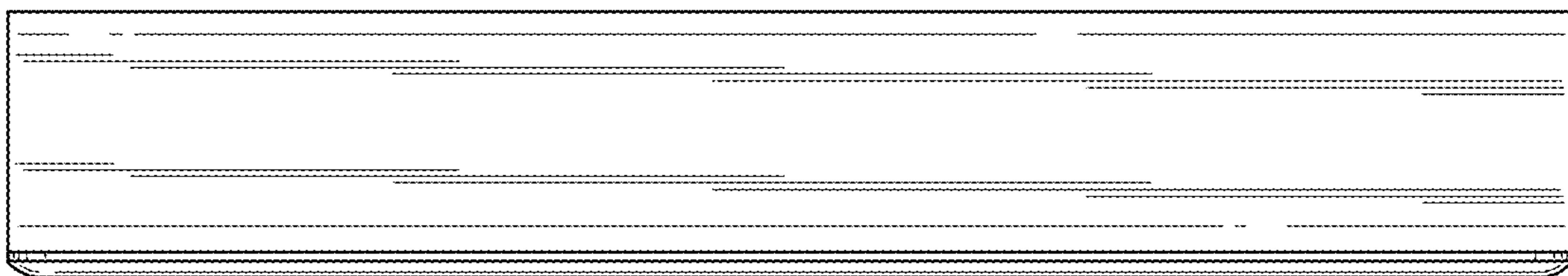


Fig. 6

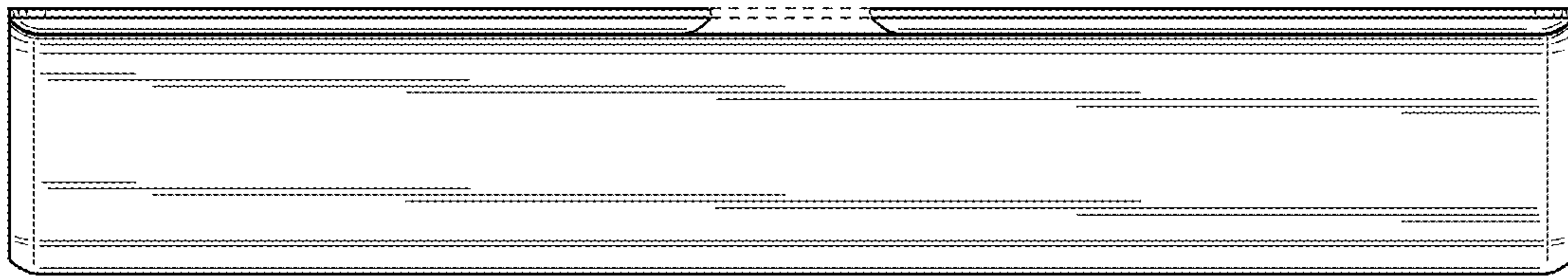


Fig. 7

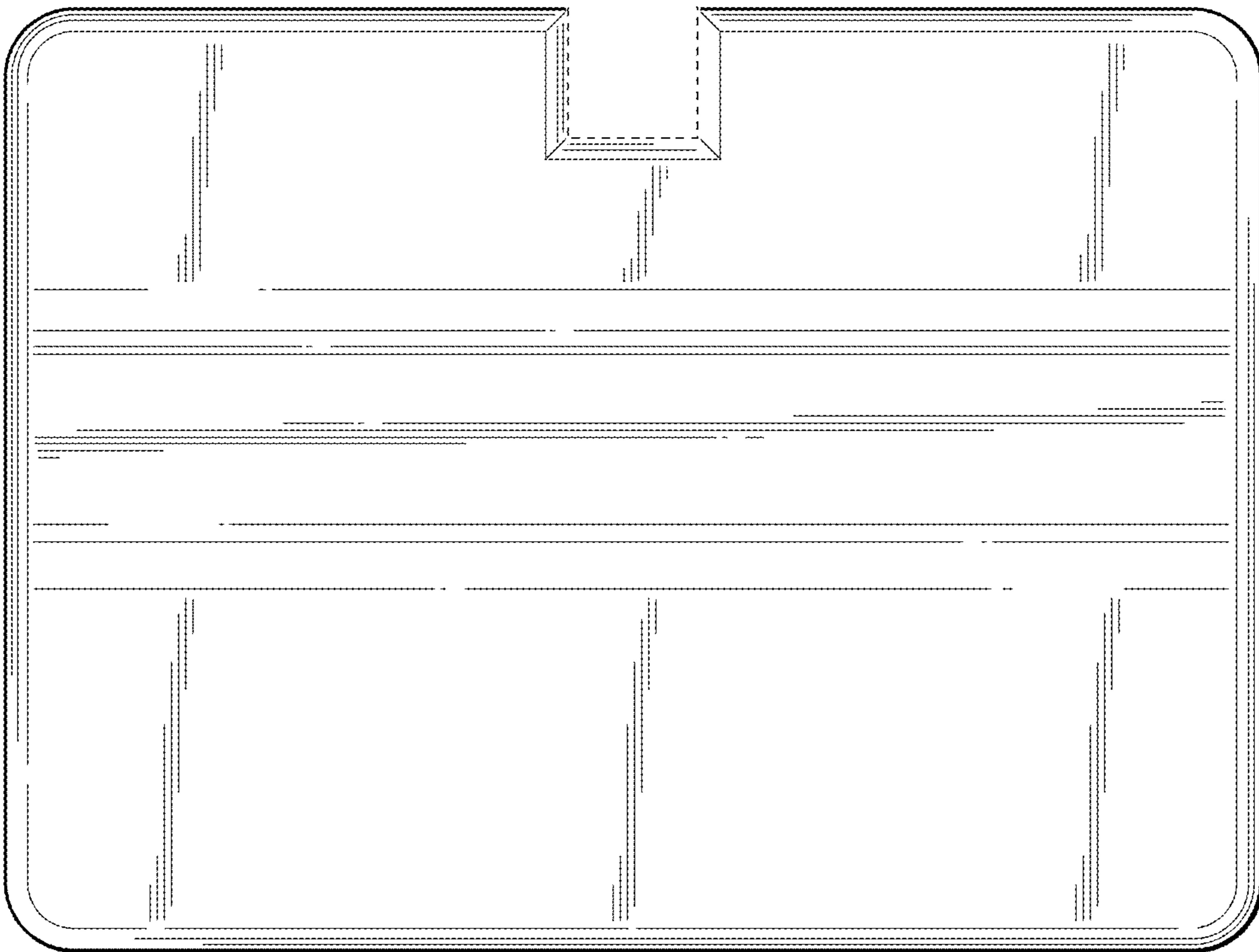


Fig. 8

