



US00D874198S

(12) **United States Design Patent** (10) **Patent No.:** **US D874,198 S**  
**Dunahay** (45) **Date of Patent:** **\*\* Feb. 4, 2020**

(54) **SHELF**  
(71) Applicant: **Coulter Ventures LLC**  
(72) Inventor: **Nash Dunahay**, Gahanna, OH (US)  
(73) Assignee: **Coulter Ventures, LLC.**, Columbus, OH (US)  
(\*\*) Term: **15 Years**  
(21) Appl. No.: **29/640,459**  
(22) Filed: **Mar. 14, 2018**  
(51) **LOC (12) Cl.** ..... **06-06**  
(52) **U.S. Cl.**  
USPC ..... **D6/705**  
(58) **Field of Classification Search**  
USPC ..... D8/380-381; D6/672, 675, 675.2, 678.1,  
D6/678.4, 680.2, 681, 681.1, 681.3,  
D6/682.5, 682.6, 705  
CPC ..... A47G 25/746; A47G 25/0664; A47F 7/24;  
A47F 5/13; A47B 61/00; A47B 57/402  
See application file for complete search history.

(56) **References Cited**  
**U.S. PATENT DOCUMENTS**  
4,765,493 A 8/1988 Kinney  
5,097,969 A \* 3/1992 Maxworthy ..... A47F 5/0846  
108/152  
D330,090 S \* 10/1992 Walter ..... D26/51  
D345,480 S \* 3/1994 Sandegren ..... D6/705  
5,626,084 A \* 5/1997 Kelly ..... A47B 96/02  
108/23  
D385,140 S 10/1997 Whitehead et al.  
5,690,415 A \* 11/1997 Krehl ..... A47F 5/101  
108/23  
6,209,731 B1 4/2001 Spamer et al.  
D490,697 S 6/2004 Runnalls  
D521,286 S \* 5/2006 Colmenares ..... D26/51  
D575,722 S 8/2008 Beauchamp et al.  
D599,580 S 9/2009 Whittier et al.

D628,299 S \* 11/2010 Held ..... D24/185  
D652,932 S \* 1/2012 Petteway ..... D24/164  
8,424,466 B2 4/2013 Botkin  
D695,555 S 12/2013 Wind  
D702,541 S 4/2014 Mansor  
D707,067 S \* 6/2014 Basarich ..... D6/705  
D709,107 S 7/2014 Kim et al.  
(Continued)

**OTHER PUBLICATIONS**

Product listing for Rogue Monster Mass Storage from <https://web.archive.org/web/20170703212533/http://www.roguefitness.com:80/monster-mass-storage>, dated Jul. 3, 2017.  
(Continued)

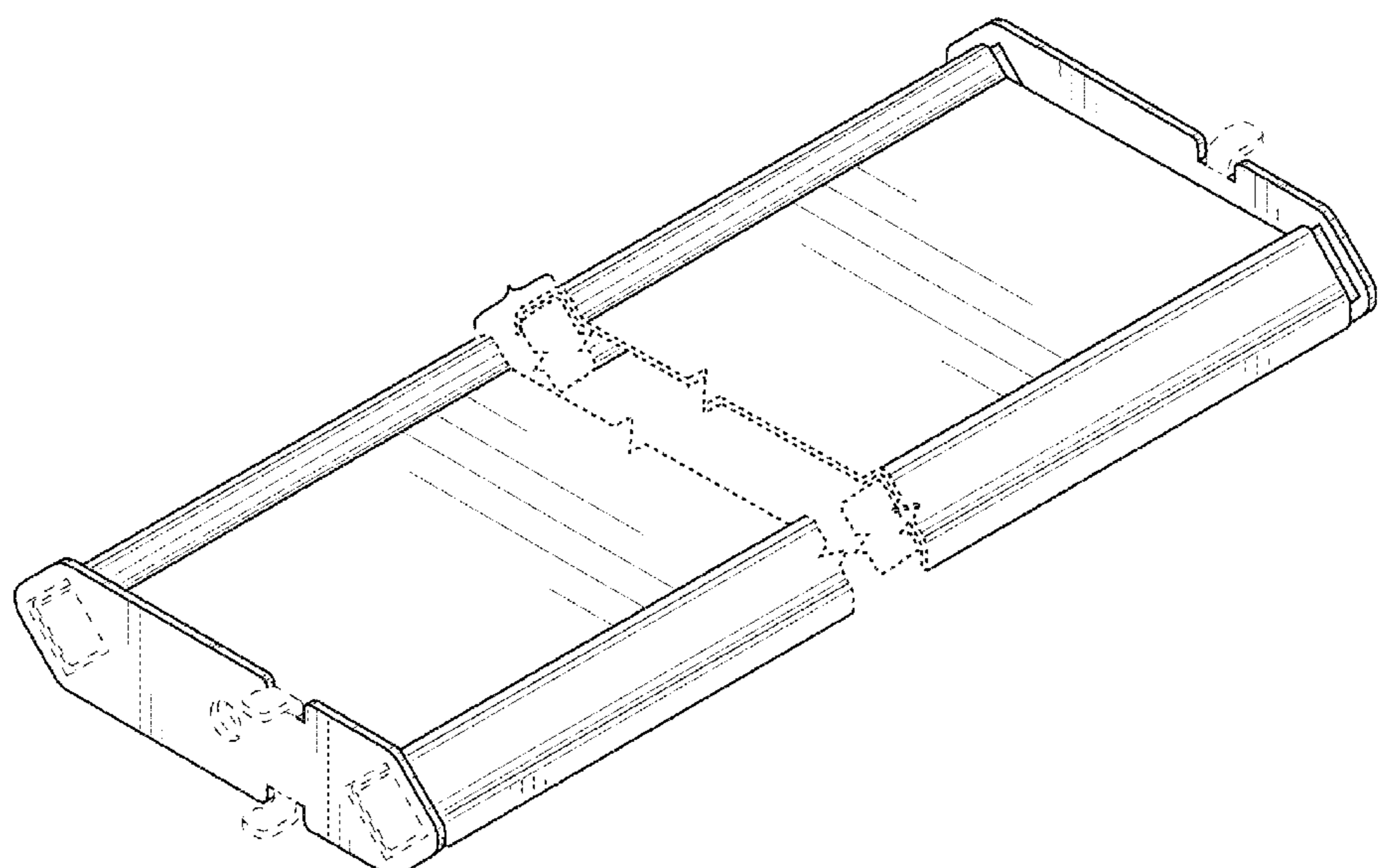
*Primary Examiner* — Kelley A Donnelly  
(74) *Attorney, Agent, or Firm* — Banner & Witcoff, Ltd.

(57) **CLAIM**  
The ornamental design for a shelf, as shown and described.

**DESCRIPTION**

FIG. 1 is a top, front, left perspective view of a shelf showing my new design;  
FIG. 2 is a front view thereof;  
FIG. 3 is a rear view thereof;  
FIG. 4 is a right side view thereof;  
FIG. 5 is a left side view thereof;  
FIG. 6 is a top view thereof;  
FIG. 7 is a bottom view thereof; and,  
FIG. 8 is a bottom, front, left perspective view thereof.  
The broken lines immediately adjacent to the shaded area define the bounds of the claimed design and form no part thereof. The broken lines depicting the remainder of the shelf show features that form no part of the claimed design. The appearance of any portion of the article between the zig-zag broken lines and brackets forms no part of the claimed design.

**1 Claim, 5 Drawing Sheets**



(56)

**References Cited**

U.S. PATENT DOCUMENTS

D709,533	S	7/2014	Park et al.	
D714,131	S	9/2014	Mansor	
D722,622	S	2/2015	Kim et al.	
D724,119	S	3/2015	Kim et al.	
D724,631	S	3/2015	Kim et al.	
D743,454	S	11/2015	Yeo et al.	
9,541,245	B2 *	1/2017	Floersch	A47F 3/001
D789,718	S *	6/2017	Gokhale	D6/705
D801,094	S *	10/2017	Verna	D6/705
9,775,447	B2 *	10/2017	Wiemer	A47F 5/103
D801,734	S	11/2017	Turner et al.	
D834,736	S *	11/2018	Liu	26/85
10,130,196	B2 *	11/2018	Burns	F21V 23/06
D845,045	S	4/2019	Dunahay	
D847,535	S *	5/2019	Goodman	D6/567
2008/0156752	A1	7/2008	Bryson et al.	
2008/0302748	A1	12/2008	Tsai	

OTHER PUBLICATIONS

Product listing for 2-Tier Mass Storage System—43" from <https://web.archive.org/web/20170710064814/http://www.roguefitness.com:80/2-tier-mass-storage-system-43>, dated Jul. 10, 2017.

Product listing for 3-Tier Mass Storage System—43" from <https://web.archive.org/web/20170621060447/http://www.roguefitness.com/3-tier-mass-storage-system-43>, dated Jun. 21, 2017.

Product listing for 2-Tier Mass Storage System—70" from <https://web.archive.org/web/20170718163236/http://www.roguefitness.com:80/2-tier-mass-storage-system-70>, dated Jul. 18, 2017.

Product listing for 3-Tier Mass Storage System—70" from <https://web.archive.org/web/20170621022248/http://www.roguefitness.com/3-tier-mass-storage-system-70>, dated Jun. 21, 2017.

Product listing for Rogue Universal Storage System 2.0 from <https://web.archive.org/web/20170701060527/http://www.roguefitness.com:80/rogue-universal-storage-system-2-0>, dated Jul. 1, 2017.

Photos of Rogue Universal Storage System 2.0 from <https://web.archive.org/web/20170701060527/http://www.roguefitness.com:80/rogue-universal-storage-system-2-0>, dated Jul. 1, 2017.

Product listing for Rogue Mass Storage Add-Ons from <https://web.archive.org/web/20170620230340/http://www.roguefitness.com/rogue-mass-storage-add-ons>, dated Jun. 20, 2017.

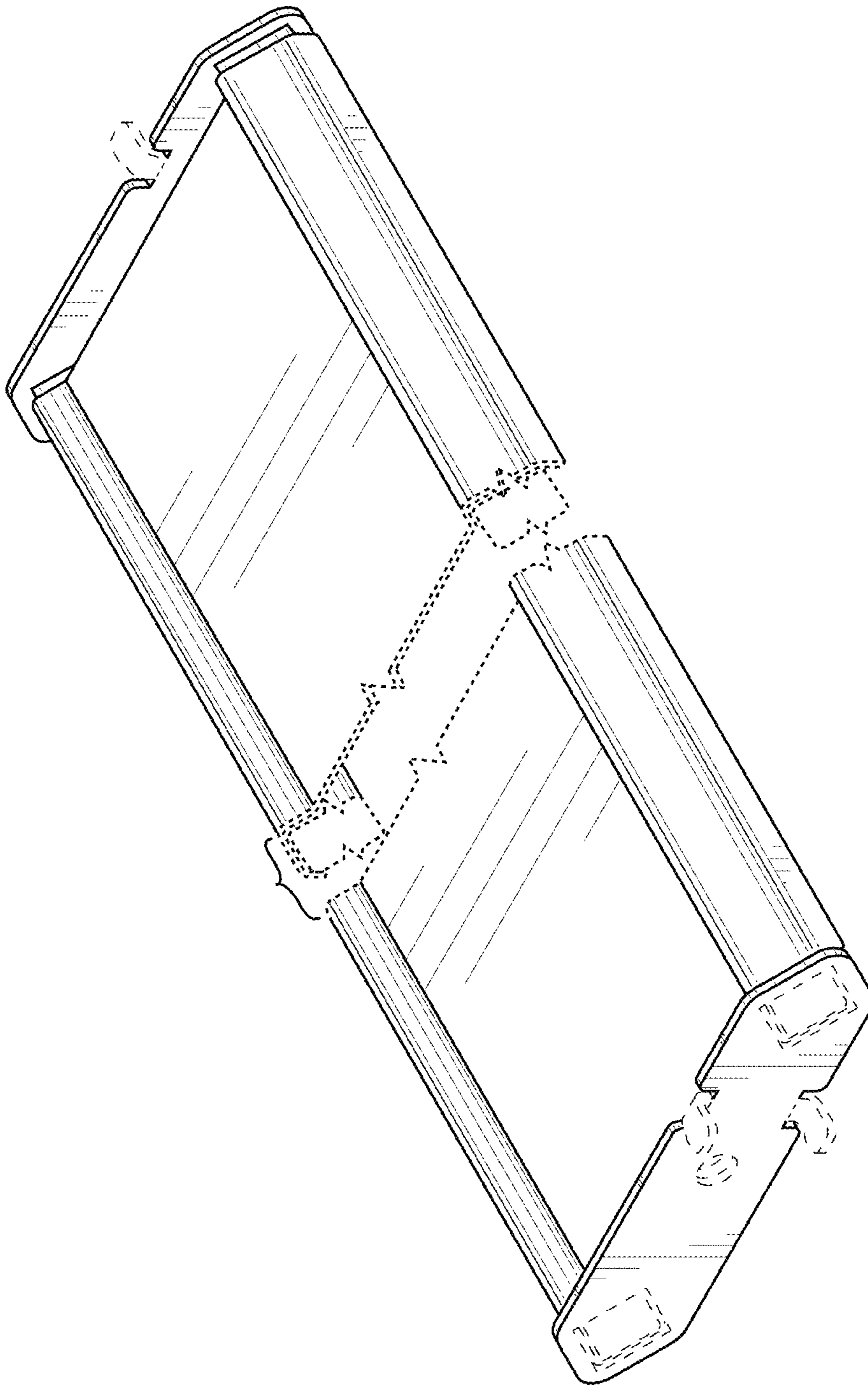
Product listing for Rogue 3 Tier Dumbbell Rack from <https://web.archive.org/web/20170719122936/http://www.roguefitness.com:80/rogue-3-tier-dumbbell-rack>, dated Jul. 19, 2017.

U.S. Appl. No. 62/637,843, filed Mar. 2, 2018, by Nash Dunahay.

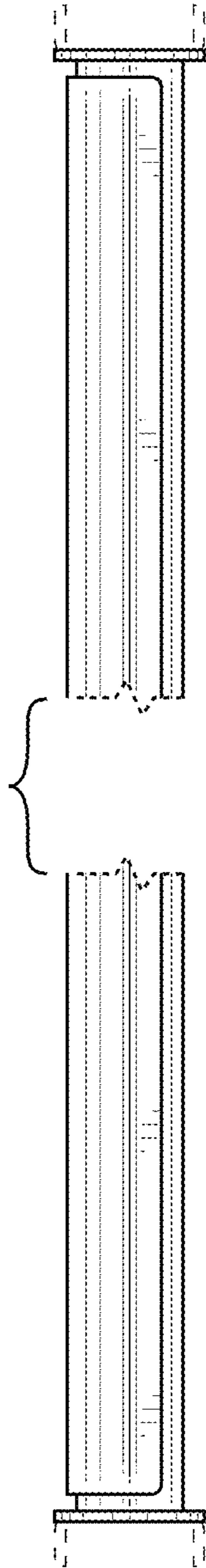
U.S. Appl. No. 29/640,453, filed Mar. 14, 2018, by Nash Dunahay.

U.S. Appl. No. 29/640,455, filed Mar. 14, 2018, by Nash Dunahay.

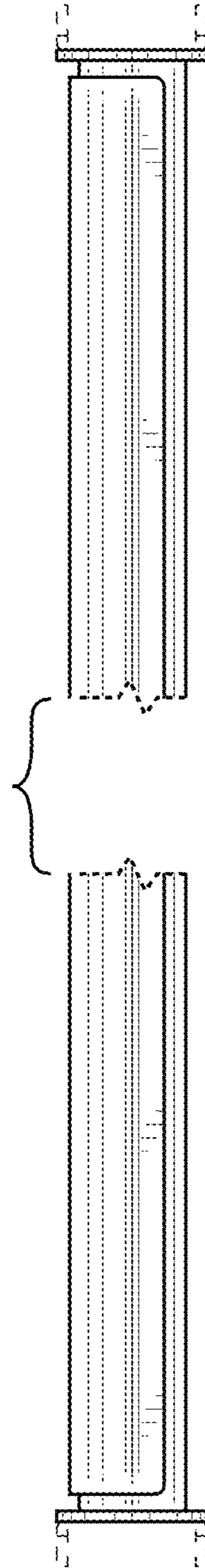
\* cited by examiner



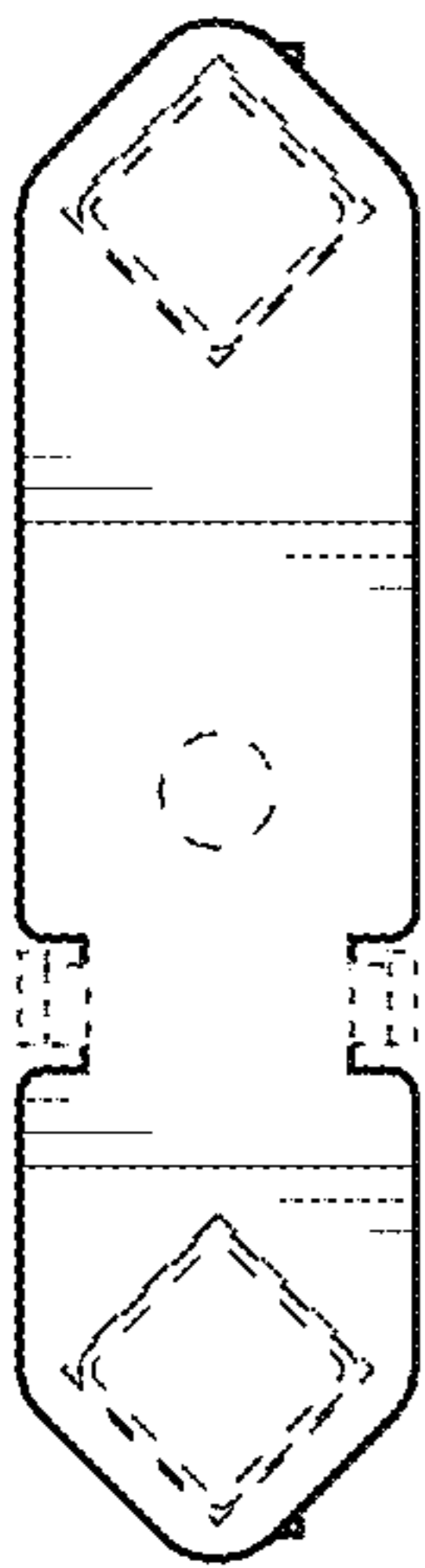
**FIG. 1**



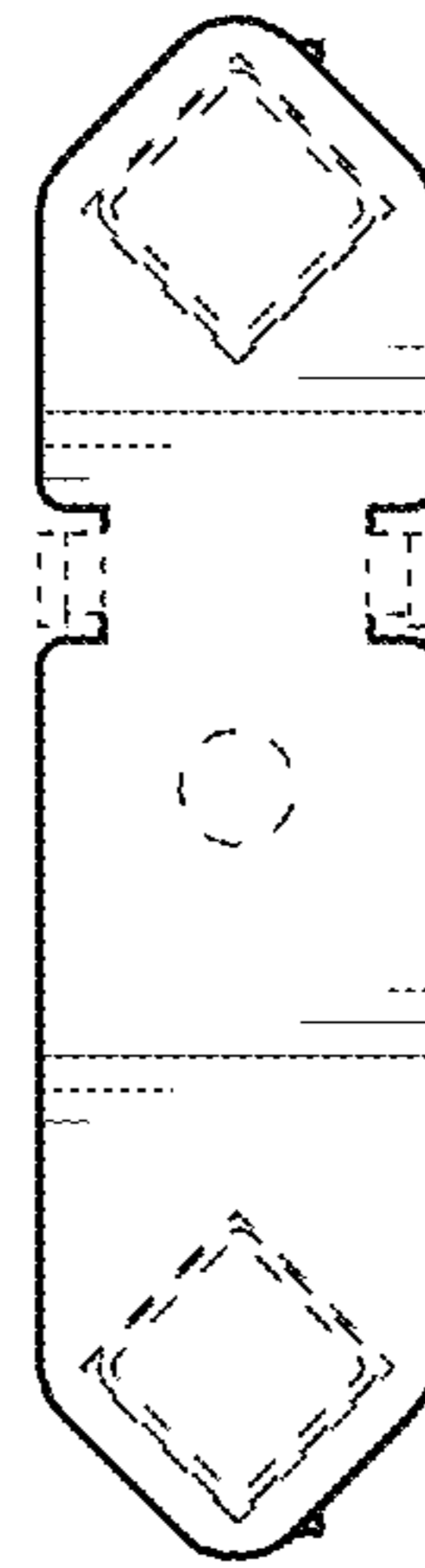
**FIG. 2**



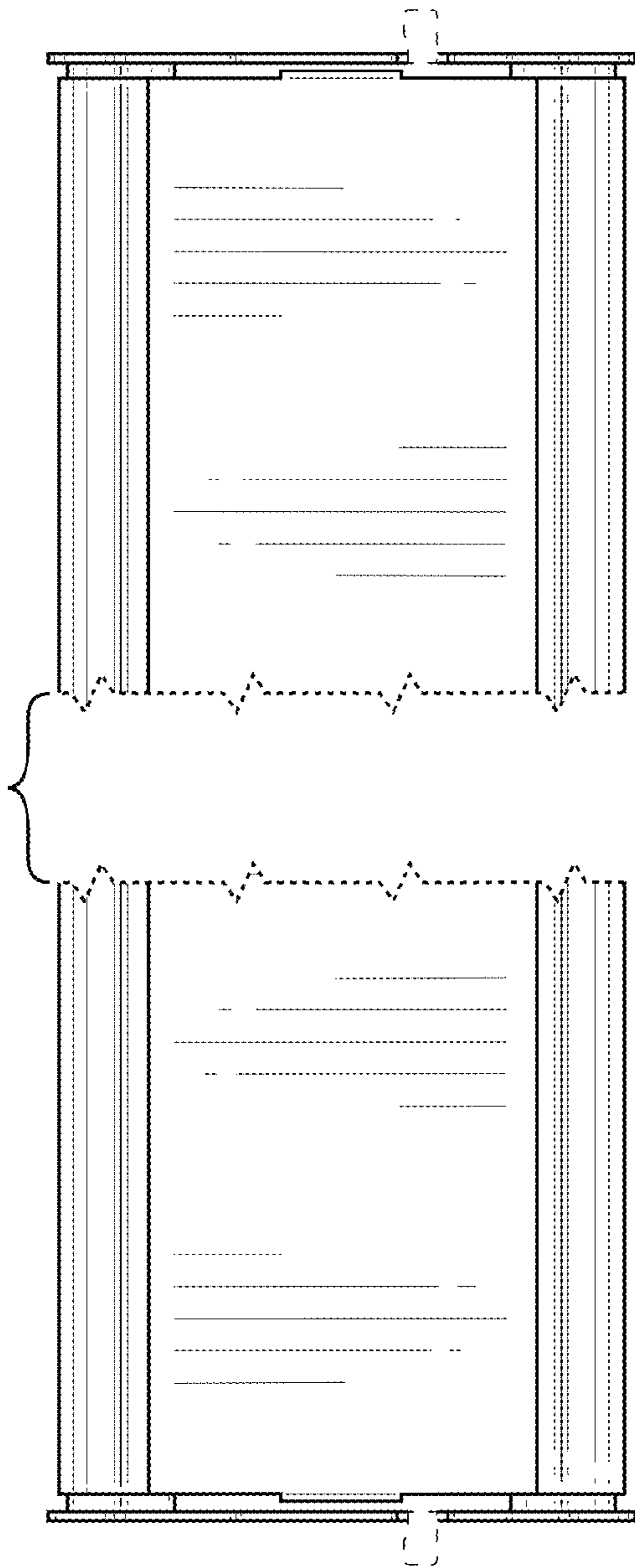
**FIG. 3**



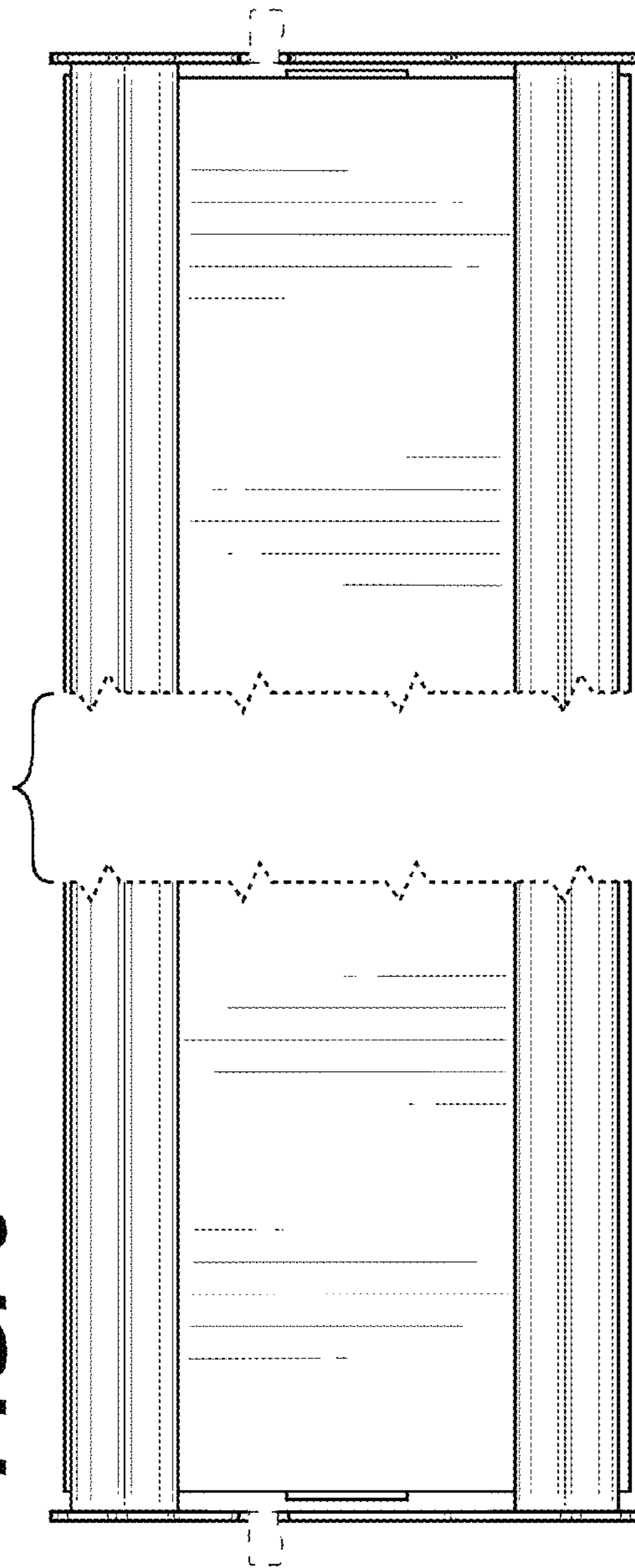
**FIG. 4**



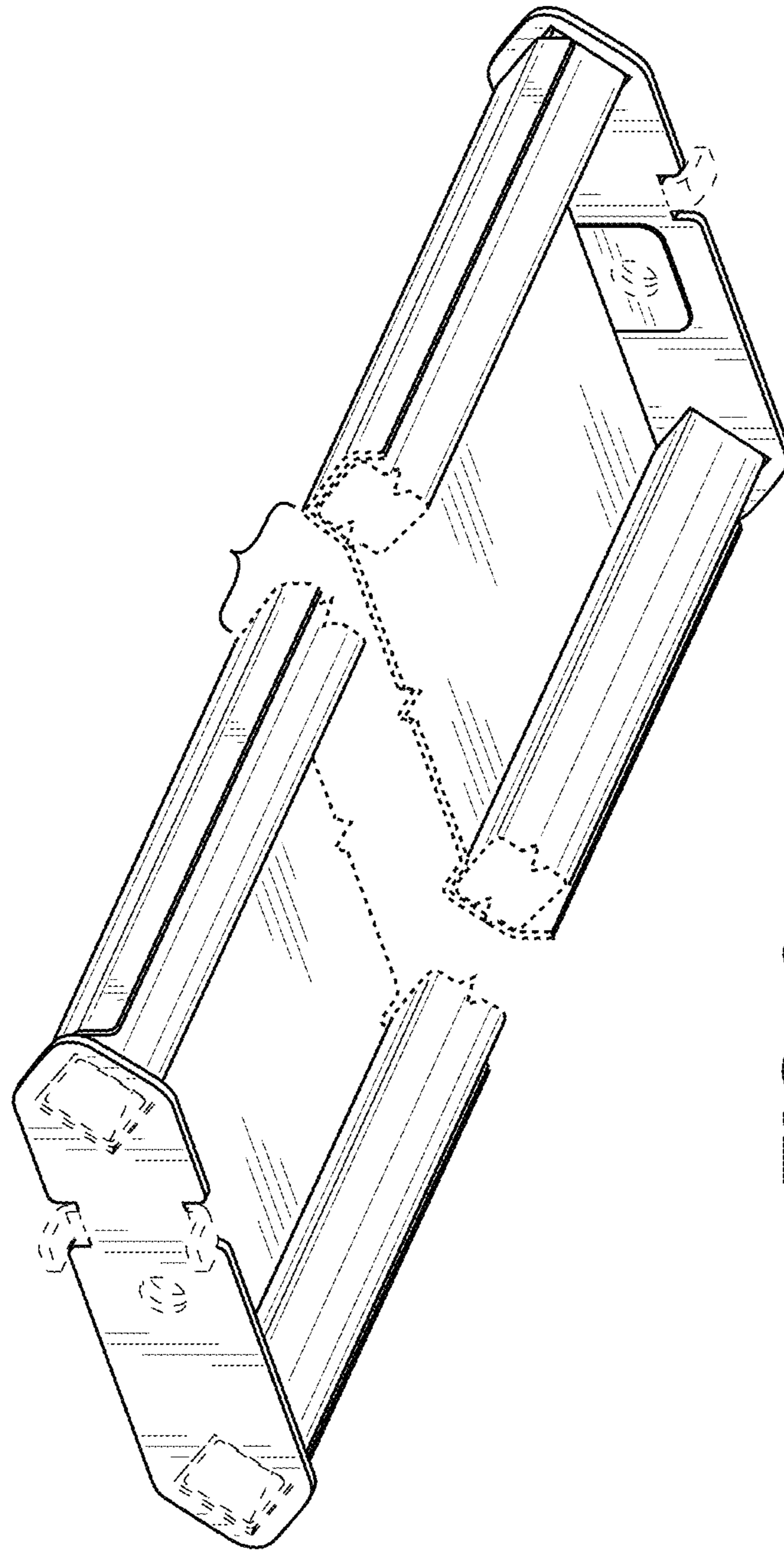
**FIG. 5**



**FIG. 6**



**FIG. 7**



**FIG. 8**