

US00D874196S

(12) **United States Design Patent** (10) **Patent No.:** **US D874,196 S**
Calhoun (45) **Date of Patent:** **** Feb. 4, 2020**

(54) **HIGHTOP CHARGING TABLE**

(71) Applicant: **Thames Technology Holdings Inc.**,
Baltimore, MD (US)
(72) Inventor: **Scott A. Calhoun**, Baltimore, MD (US)
(73) Assignee: **Thames Technology Holdings Inc.**,
Baltimore, MD (US)

(**) Term: **15 Years**

(21) Appl. No.: **29/615,417**

(22) Filed: **Aug. 29, 2017**

(51) **LOC (12) Cl.** **06-03**

(52) **U.S. Cl.**
USPC **D6/692.3**

(58) **Field of Classification Search**
USPC D6/349, 685, 686, 692, 692.1–692.6
CPC A47B 7/00; A47B 13/00; A47B 13/003;
A47B 13/02; A47B 13/023; A47B 13/08;
A47B 2013/006; A47B 97/00; A47B
2200/0001; A47B 2200/0011; A47B
2200/002; A47B 2200/008; A47B
2200/0081

See application file for complete search history.

(56) **References Cited**

U.S. PATENT DOCUMENTS

D99,666 S *	5/1936	Schwartz	D6/686
D127,494 S *	5/1941	Wesling	D6/352
D149,043 S *	3/1948	Boulingny	119/247
D280,580 S *	9/1985	Appel	A47B 9/00
				D6/692.1
D329,767 S *	9/1992	White	D6/689
5,363,772 A *	11/1994	Adamidis	A47B 9/00
				108/66
D401,791 S *	12/1998	Schwab	D6/697.2
2003/0010259 A1 *	1/2003	Reddig	A47B 13/12
				108/26
2015/0340892 A1 *	11/2015	Schreiner	H02J 7/0044
				320/137
2018/0131201 A1 *	5/2018	Calhoun	H04W 4/38

OTHER PUBLICATIONS

Solar Charging Table—ECMMEDDIA <https://www.ecmmediallc.com/high-top-bar-table/> retrieved from the internet on Mar. 3, 2019.*

High Top Charging Table—DISPLAYS2GO—retrieved from the internet on Mar. 3, 2019 https://www.displays2go.com/P-38255/Pub-Height-Power-Charging-Table-Lightning-Micro-USB-Cords?utm_source=google.pla&utm_medium=cpc&utm_campaign=GooglePLA&gclid=EAlalQobChMluoTRm5Dm4A1VgY3ICh0iuwoCEAQYASABEgK7HfD_*

PowerUp Charging Table—Powerup <https://www.powerupconnect.com/products/charging-table/> retrieved from the internet on Mar. 3, 2019.*

* cited by examiner

Primary Examiner — Mary Ann Calabrese

(74) *Attorney, Agent, or Firm* — Occhiuti & Rohlicek LLP

(57) **CLAIM**

I claim the ornamental design for a hightop charging table, as shown and described.

DESCRIPTION

FIG. 1 is a front perspective view of a hightop charging table;

FIG. 2 is a front view of a hightop charging table;

FIG. 3 is a rear side view of a hightop charging table;

FIG. 4 is a left side view of a hightop charging table;

FIG. 5 is a right view of a hightop charging table;

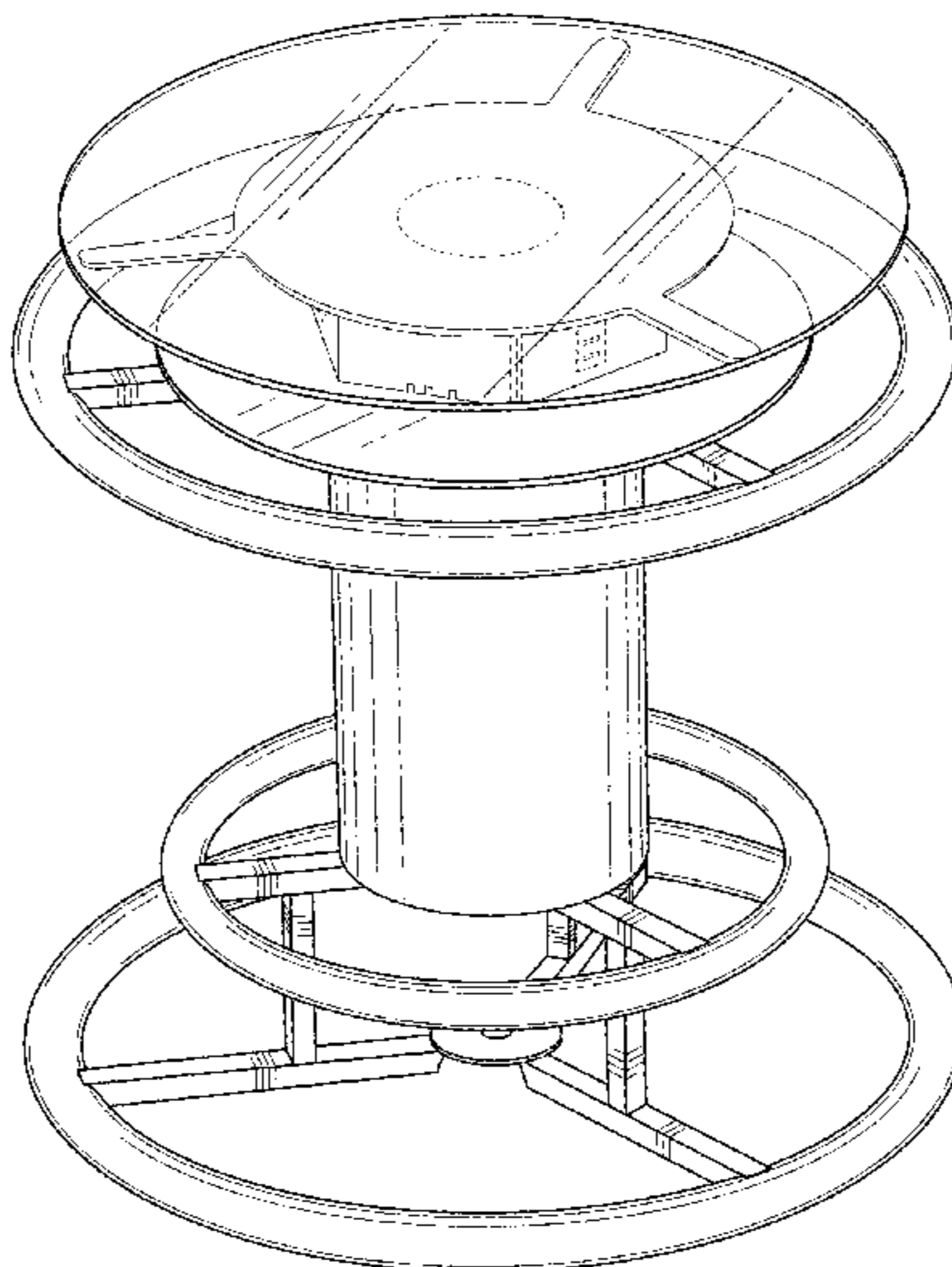
FIG. 6 is a top view of a hightop charging table;

FIG. 7 is a bottom view of a hightop charging table; and,

FIG. 8 is a front perspective view of a hightop charging table with additional environment.

The broken lines shown in the drawings are included for the purpose of illustrating environmental structure and form no part of the claimed design.

1 Claim, 8 Drawing Sheets



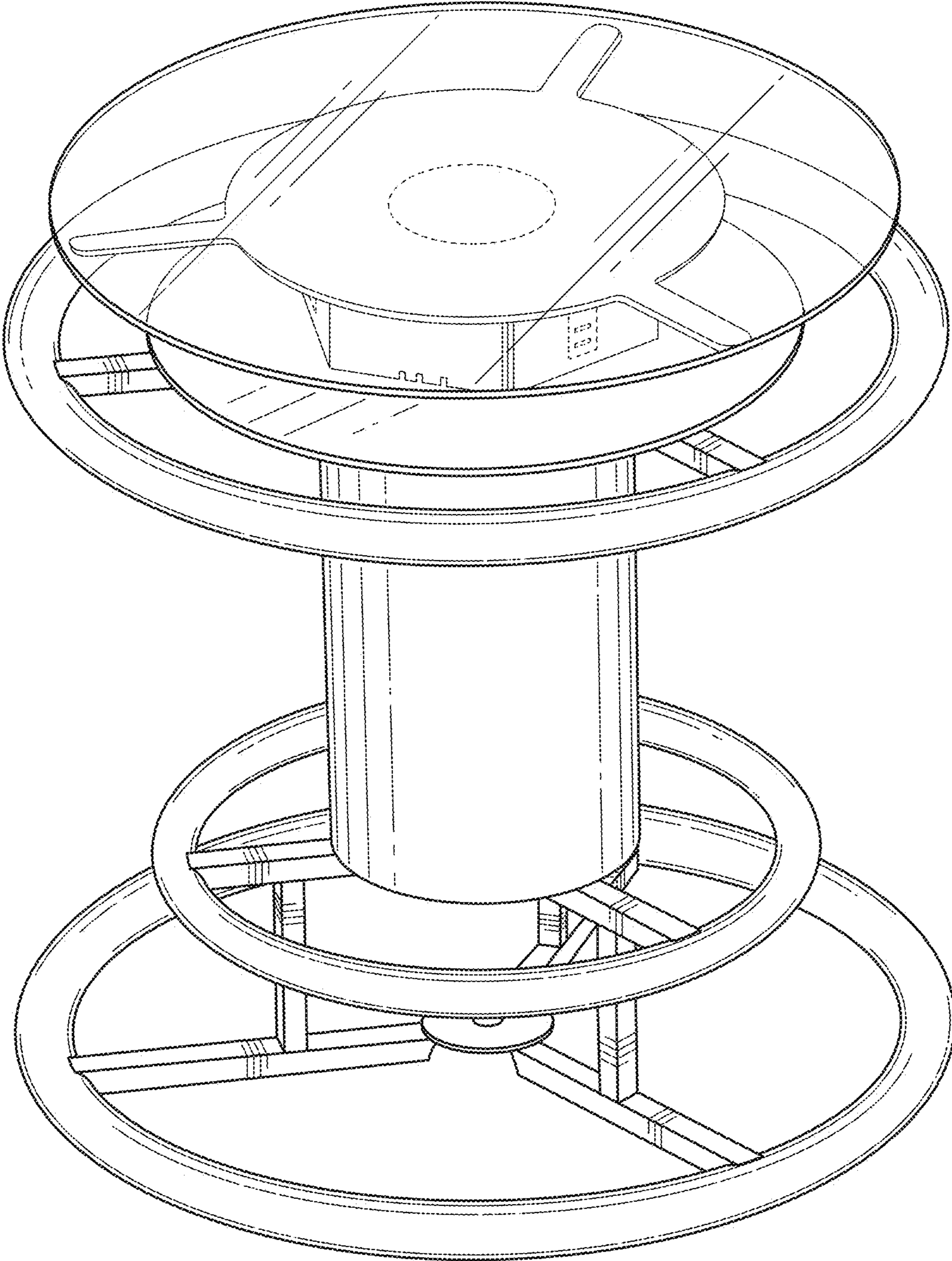


FIG. 1

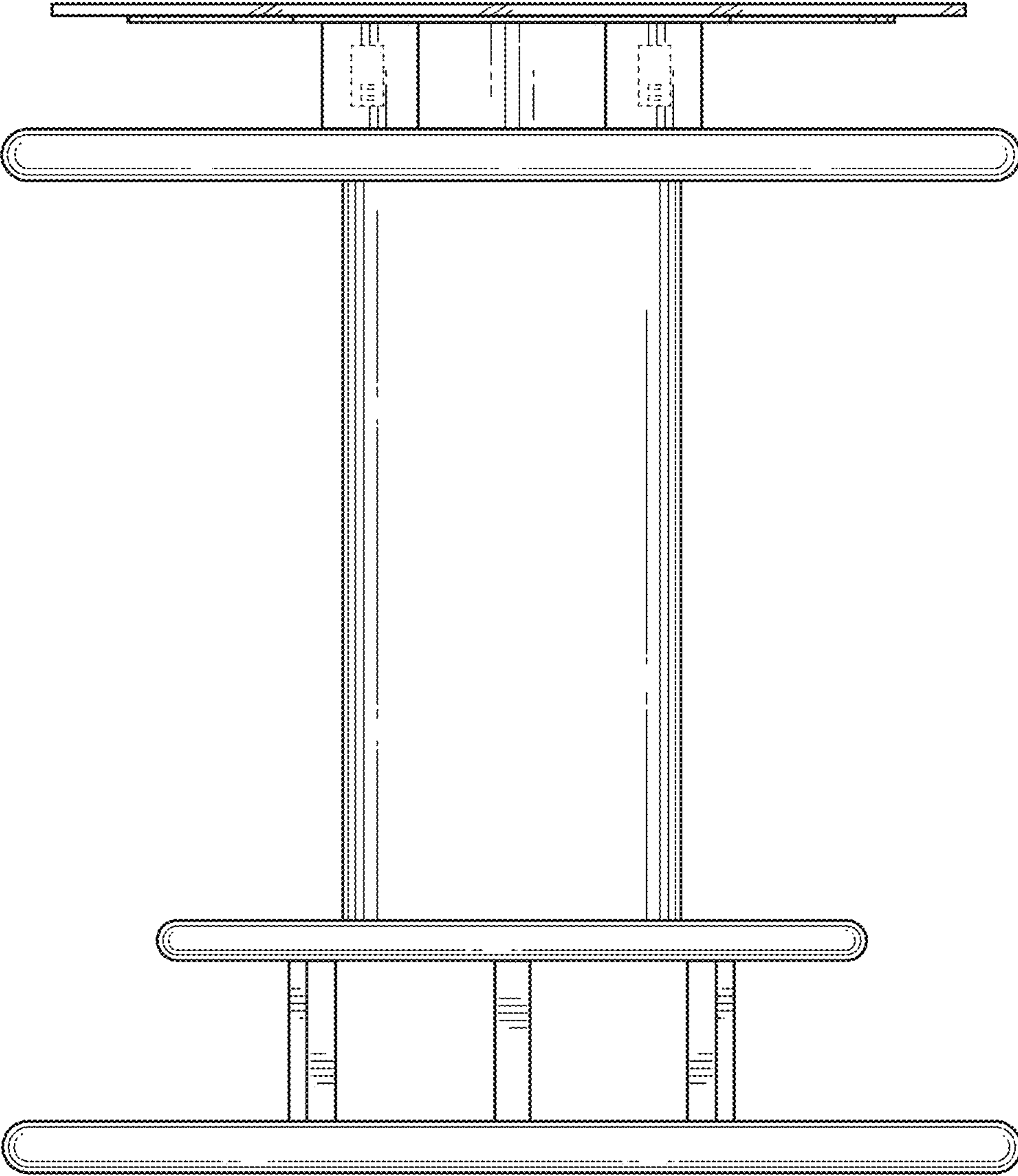


FIG. 2

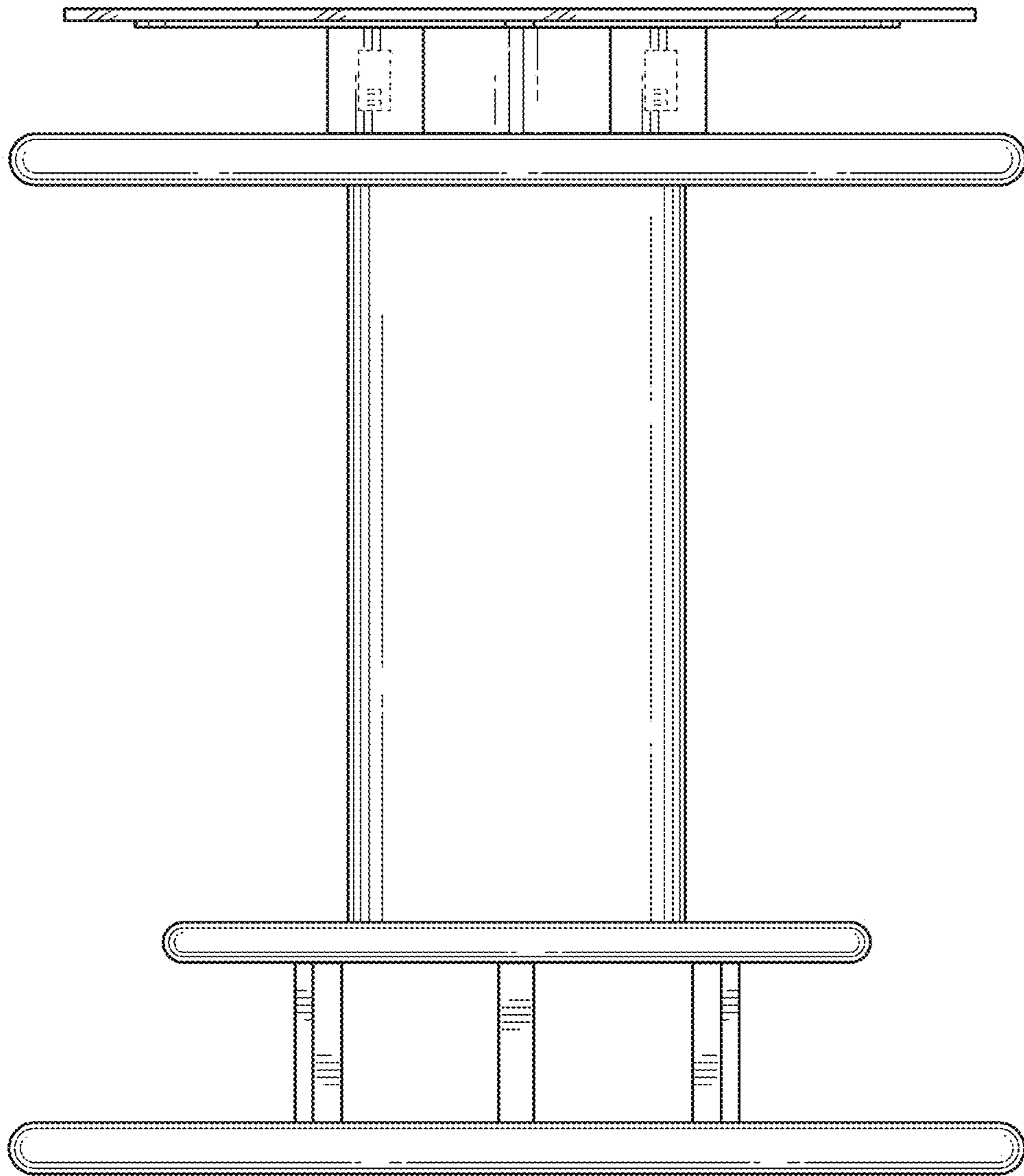


FIG. 3

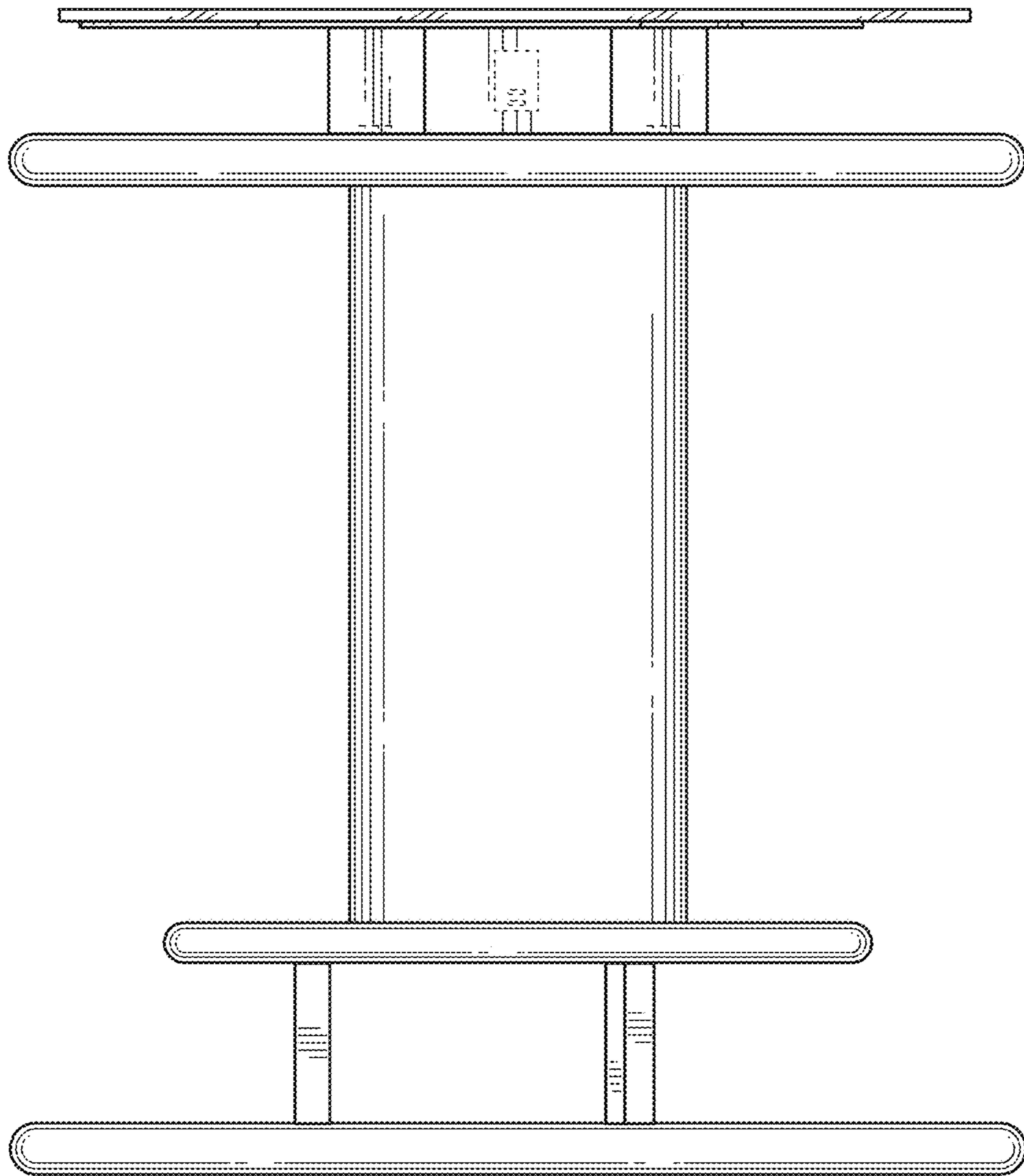


FIG. 4

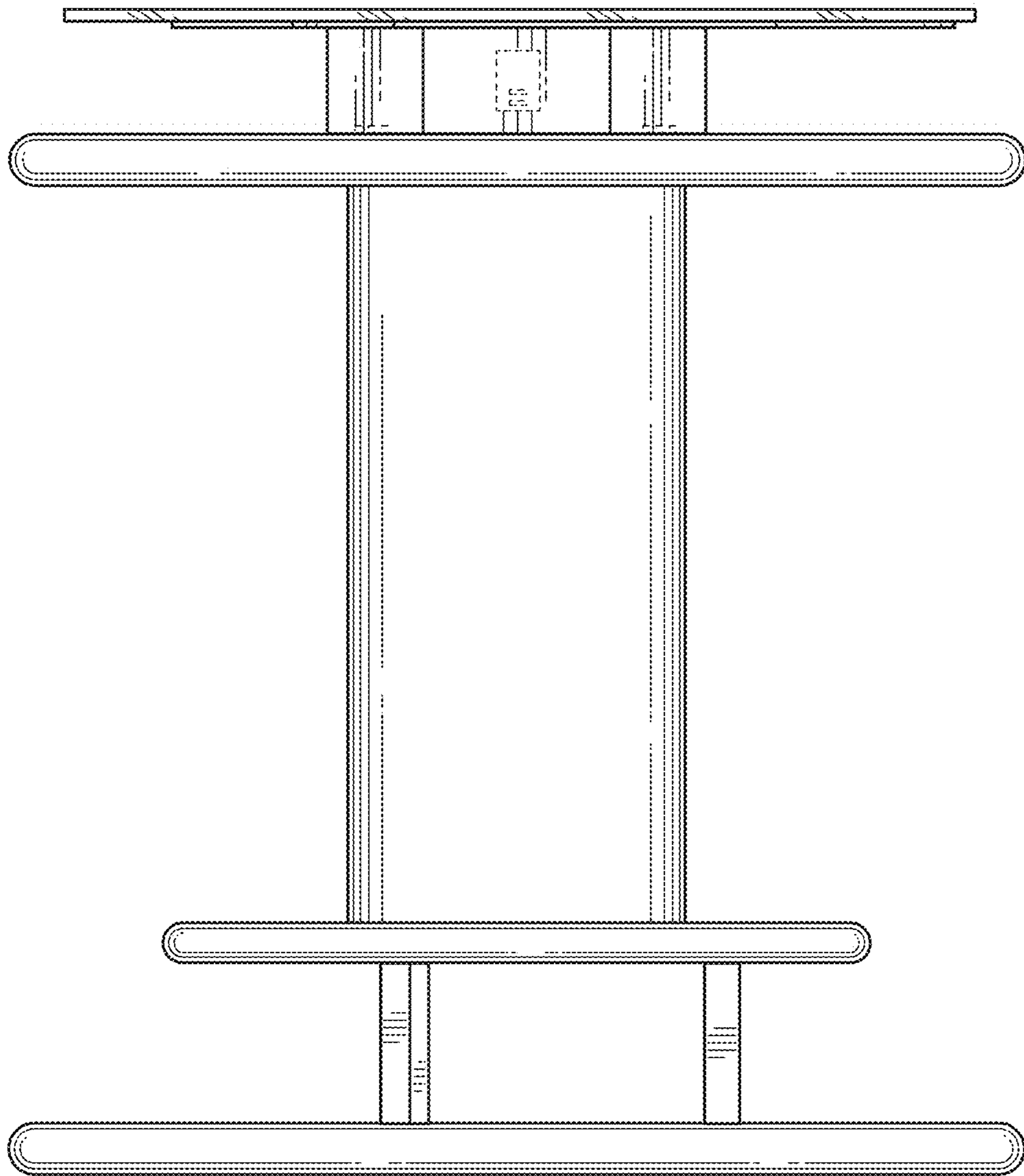


FIG. 5

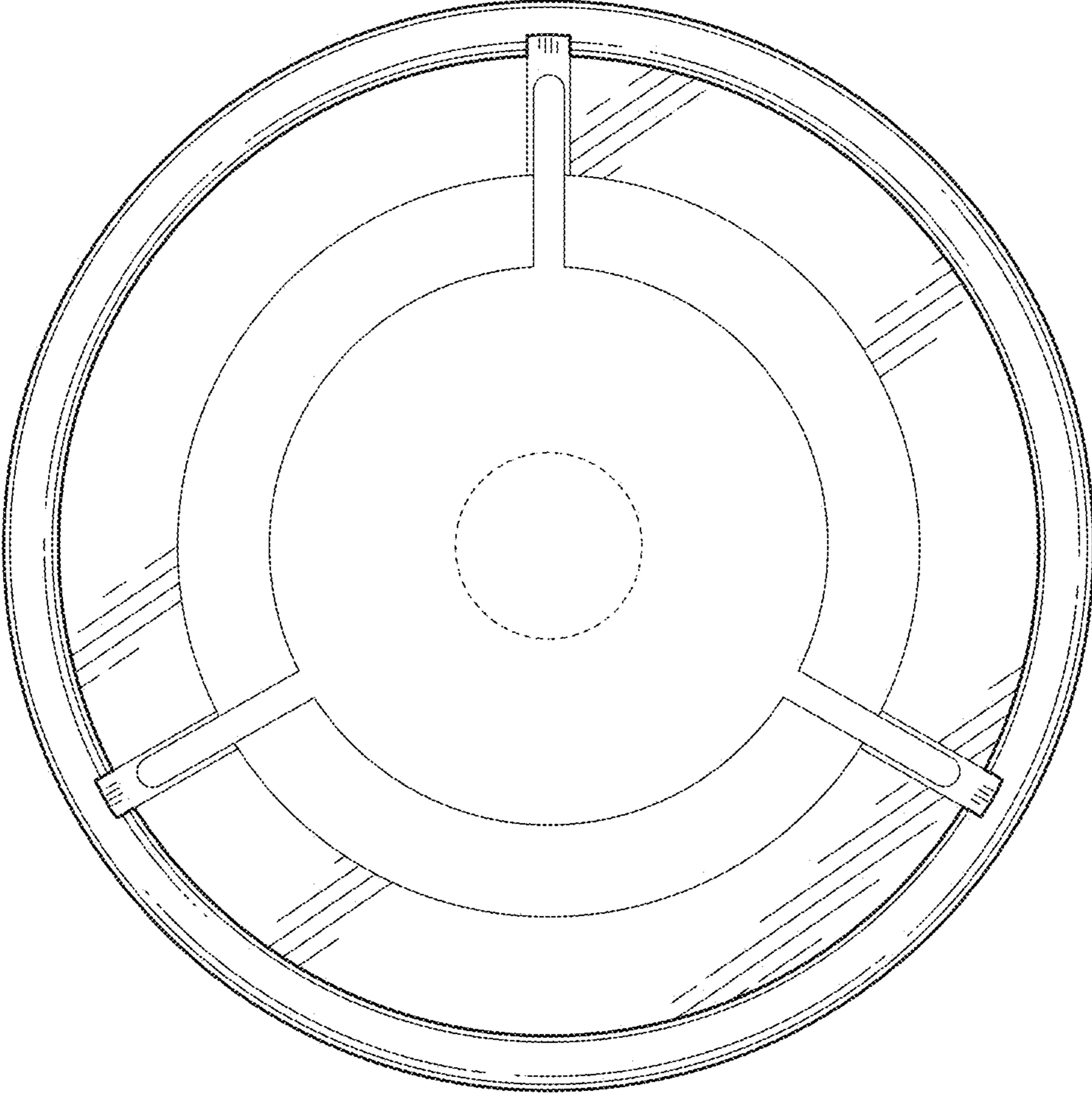


FIG. 6

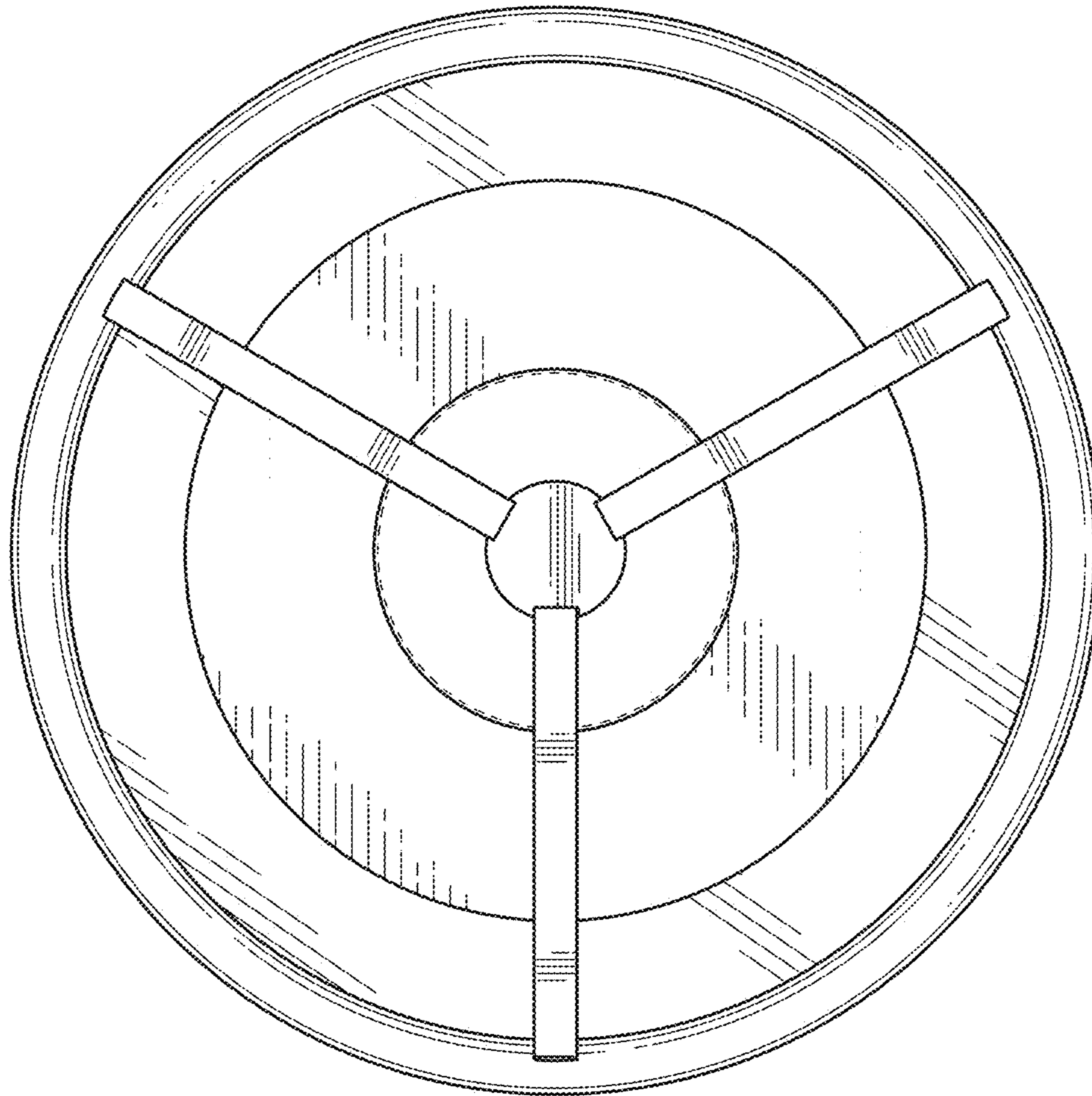


FIG. 7

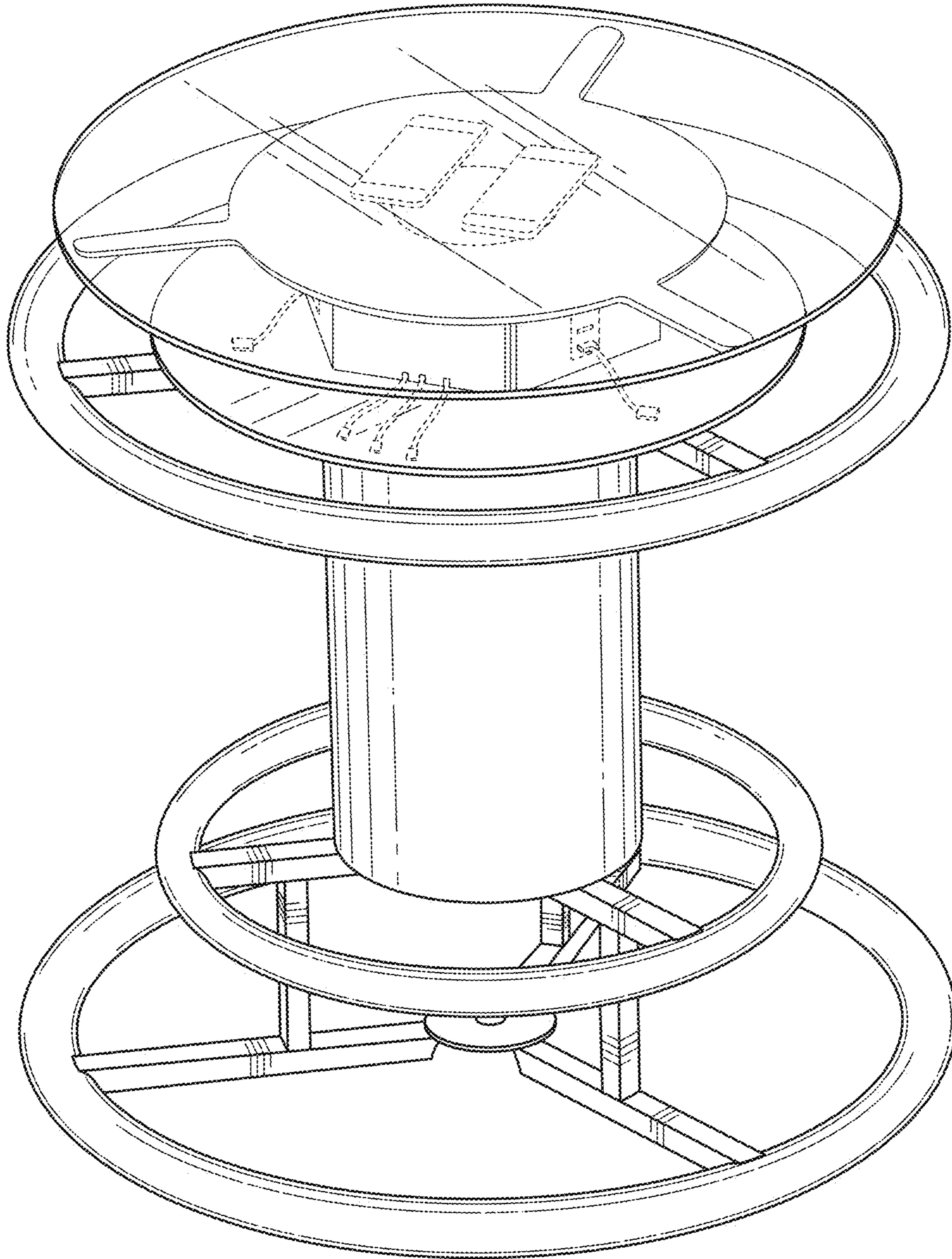


FIG. 8