



US00D874194S

(12) **United States Design Patent** (10) **Patent No.:** **US D874,194 S**
Pilat (45) **Date of Patent:** **** Feb. 4, 2020**

(54) **OPTICAL EYEWEAR DISPLAY**

(71) Applicant: **OVVO Optics**, Mahwah, NJ (US)

(72) Inventor: **Artur Pilat**, Mahwah, NJ (US)

(73) Assignee: **OVVO Optics**, Mahwah, NJ (US)

(**) Term: **15 Years**

(21) Appl. No.: **29/611,909**

(22) Filed: **Jul. 26, 2017**

(51) **LOC (12) Cl.** **06-06**

(52) **U.S. Cl.**
 USPC **D6/682.6**

(58) **Field of Classification Search**
 USPC D6/672, 673, 675, 678, 682, 682.1,
 D6/682.2, 682.3, 682.6
 CPC A47B 57/30; A47F 3/00; A47F 5/0006;
 A47F 7/00; A47F 7/02; A47F 7/021;
 A47F 11/00

See application file for complete search history.

6,443,317 B1 * 9/2002 Brozak, Jr. A47F 7/021
 211/85.1

7,134,559 B2 * 11/2006 Zoueki A47F 7/0243
 211/85.1

D573,809 S * 7/2008 Levy D6/682.6

D586,582 S * 2/2009 Alexander D6/675.4

D635,377 S * 4/2011 Rodgers D6/675.3

D639,580 S * 6/2011 Clemence D6/674

D644,453 S * 9/2011 Levy D6/680.2

D689,715 S * 9/2013 Wong D6/675.1

D783,321 S * 4/2017 Levy D6/680.2

D800,484 S * 10/2017 Pilat D6/682.6

D806,456 S * 1/2018 Liebers D6/682.3

D812,942 S * 3/2018 Pilat D6/682.6

* cited by examiner

Primary Examiner — Kelley A Donnelly
 (74) *Attorney, Agent, or Firm* — Schott, P.C.

(57) **CLAIM**

The ornamental design for an optical eyewear display, as shown and described.

DESCRIPTION

FIG. 1 is a front perspective view of an optical eyewear display.

FIG. 2 is a front view of the optical eyewear display shown in FIG. 1.

FIG. 3 is a rear view of the optical eyewear display shown in FIG. 1.

FIG. 4 is a left side view of the optical eyewear display shown in FIG. 1.

FIG. 5 is a right side view of the optical eyewear display shown in FIG. 1.

FIG. 6 is a top view of the optical eyewear display shown in FIG. 1; and,

FIG. 7 is a bottom view of the optical eyewear display shown in FIG. 1.

The broken lines illustrate the design's environment and form no part of the claimed design.

1 Claim, 6 Drawing Sheets

(56) **References Cited**

U.S. PATENT DOCUMENTS

3,891,092 A * 6/1975 Surette A47F 5/04
 211/163

D251,048 S * 2/1979 Richman D20/19

4,558,788 A * 12/1985 Grothaus A47F 7/021
 211/85.1

D314,292 S * 2/1991 Nyman D6/680.2

D385,130 S * 10/1997 Woodward D6/680.2

D401,083 S * 11/1998 Woodward D6/680

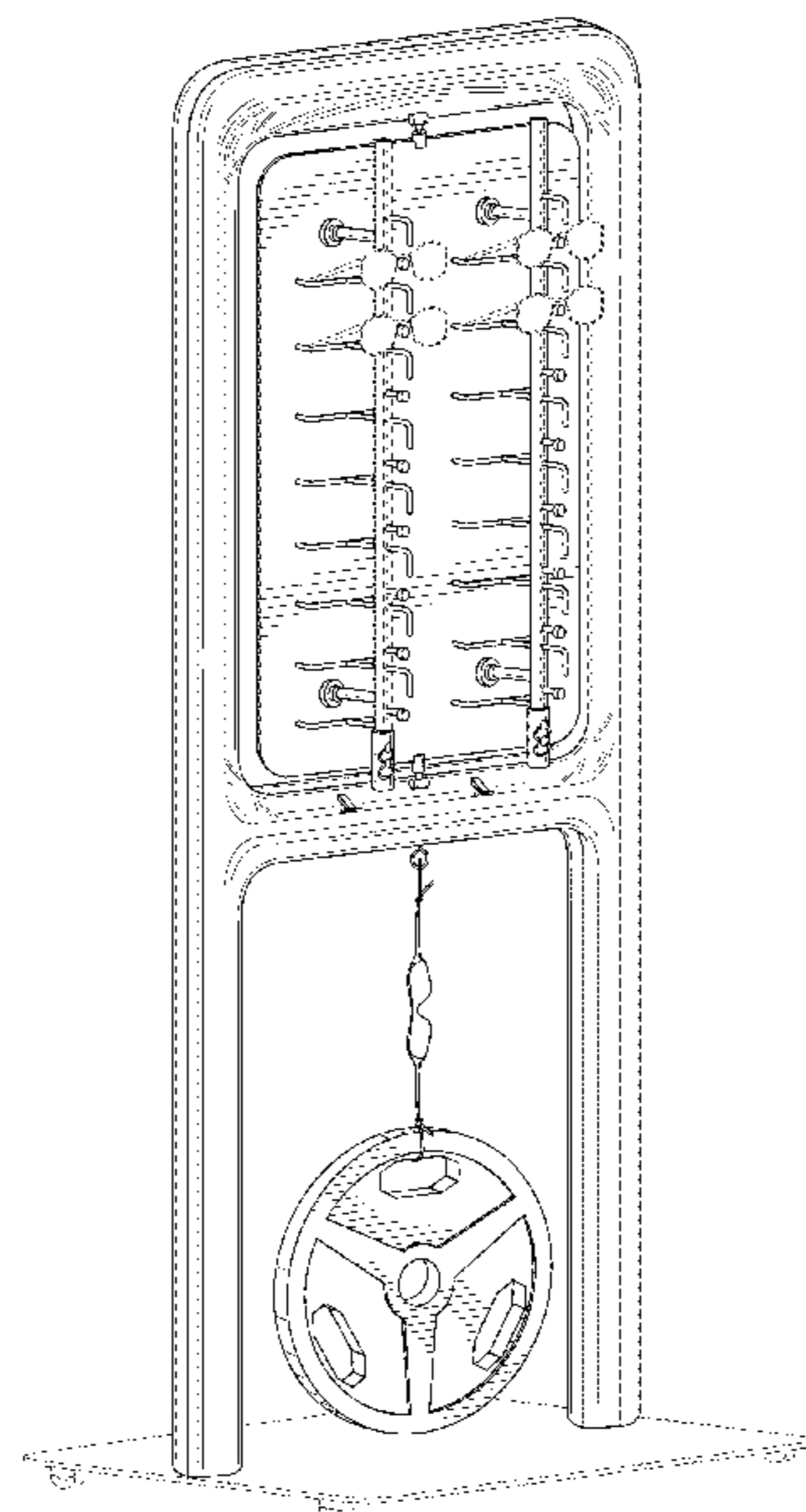
5,861,941 A * 1/1999 Liebers A61B 3/04
 351/223

D426,998 S * 6/2000 Kidd D6/567

D435,182 S * 12/2000 Mason D6/680.2

D436,265 S * 1/2001 Kidd D6/680.2

6,257,724 B1 * 7/2001 Liebers A61B 3/04
 351/245



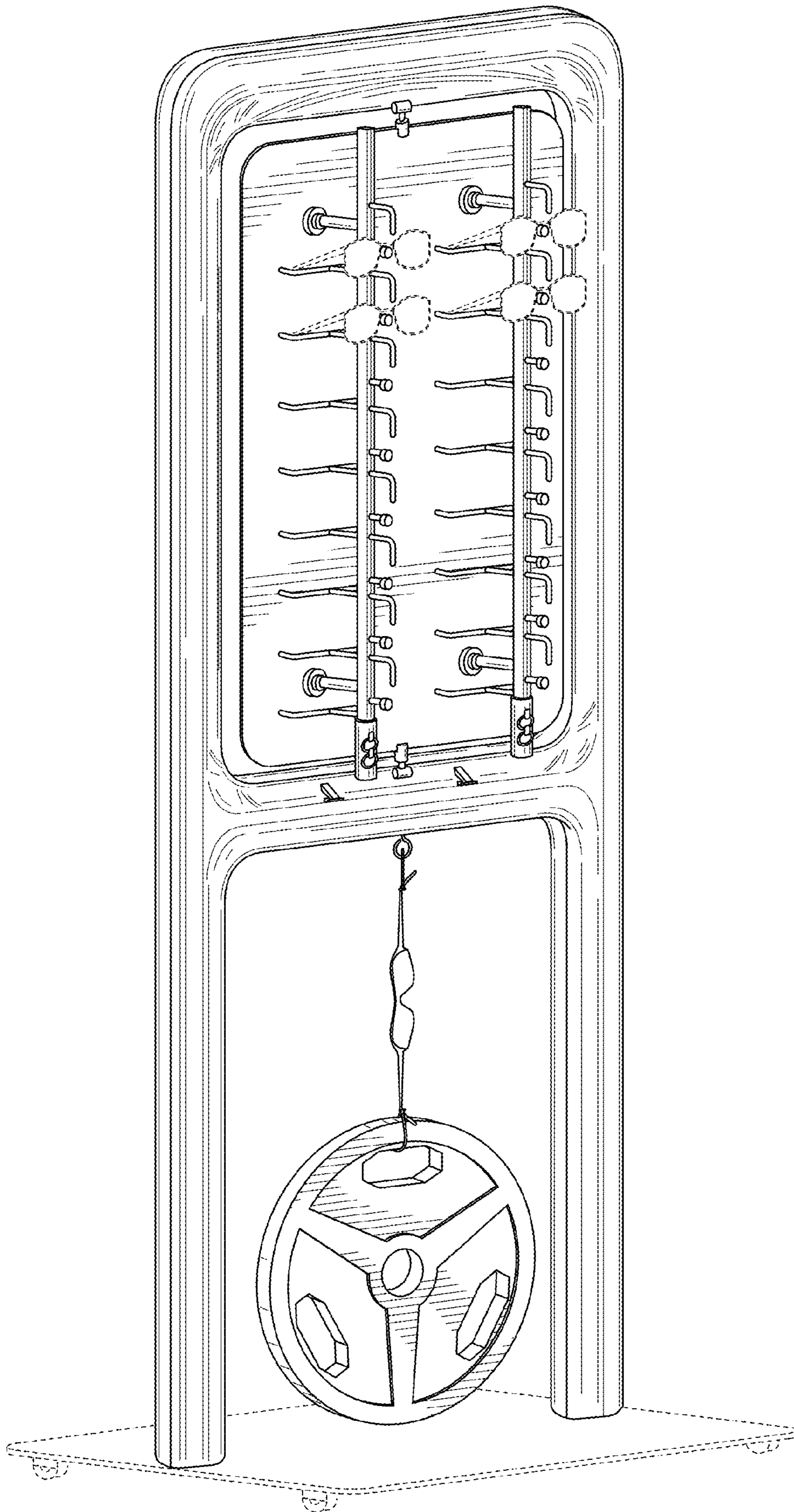


FIG. 1

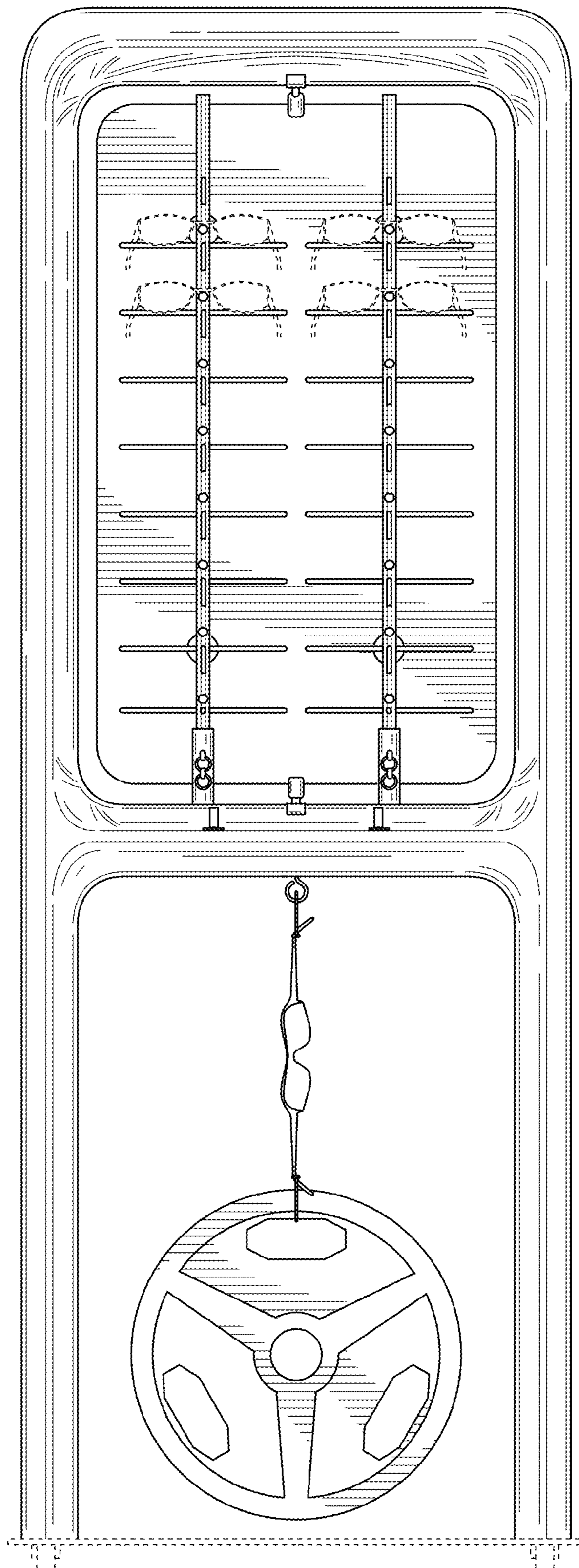


FIG. 2

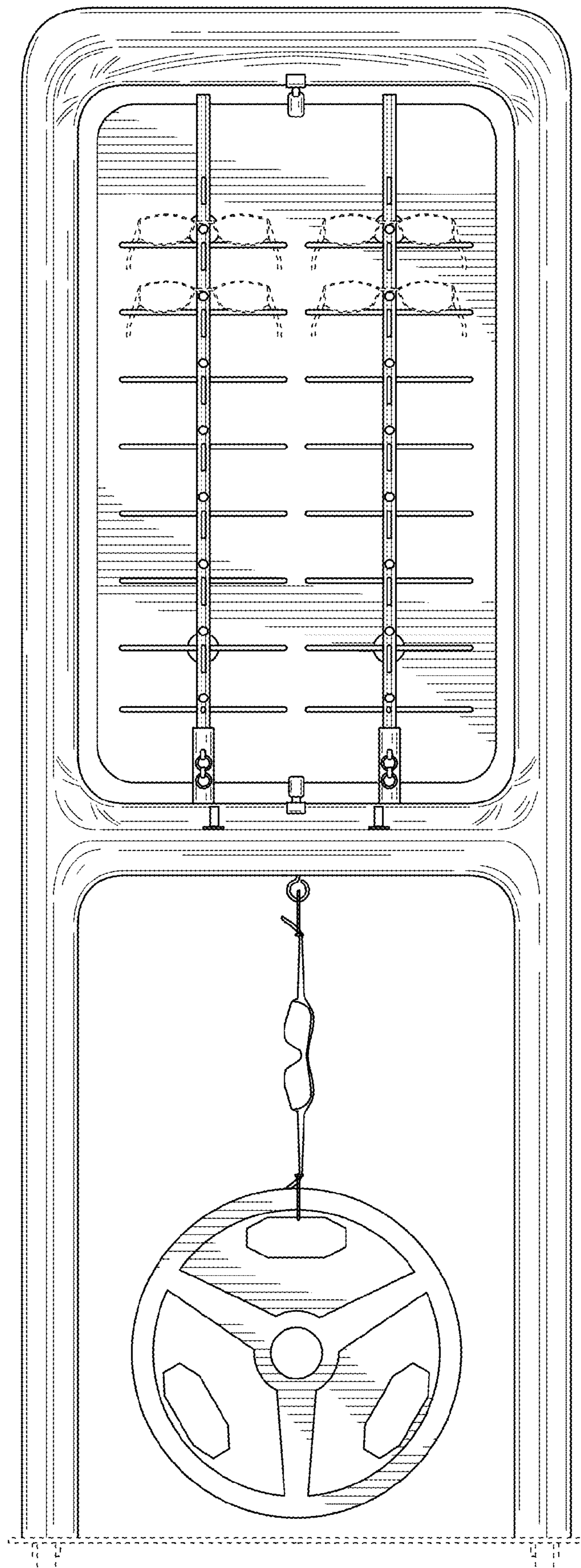


FIG. 3

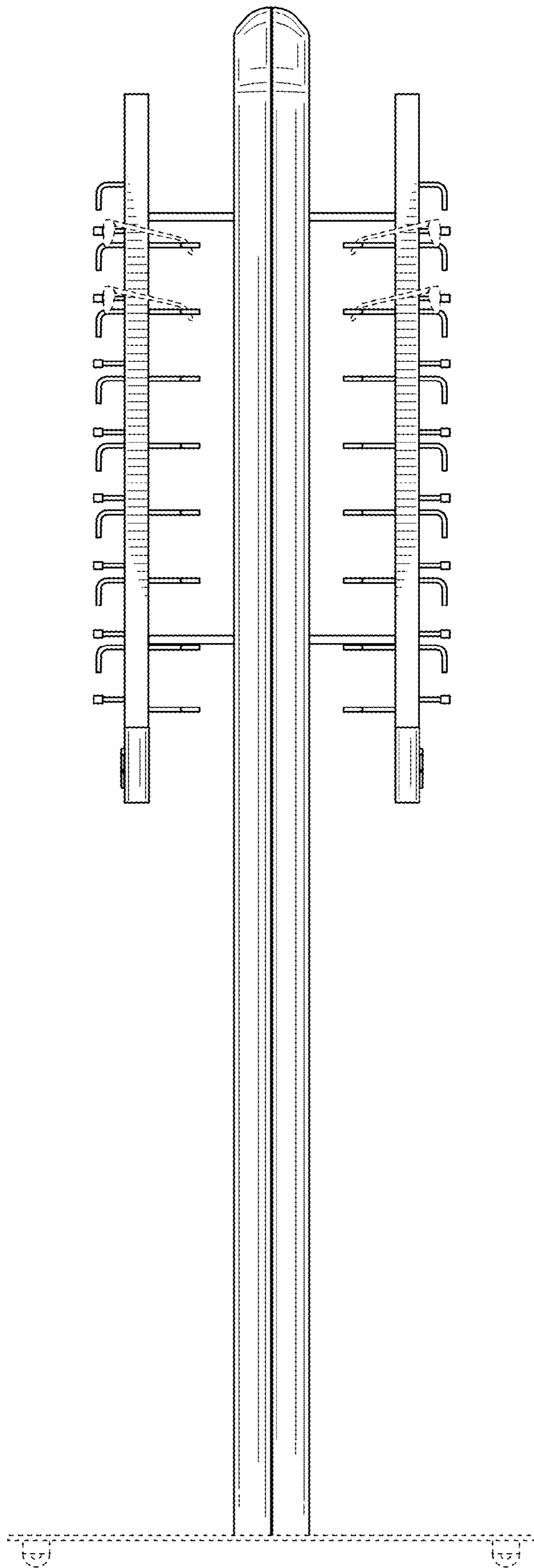


FIG. 4

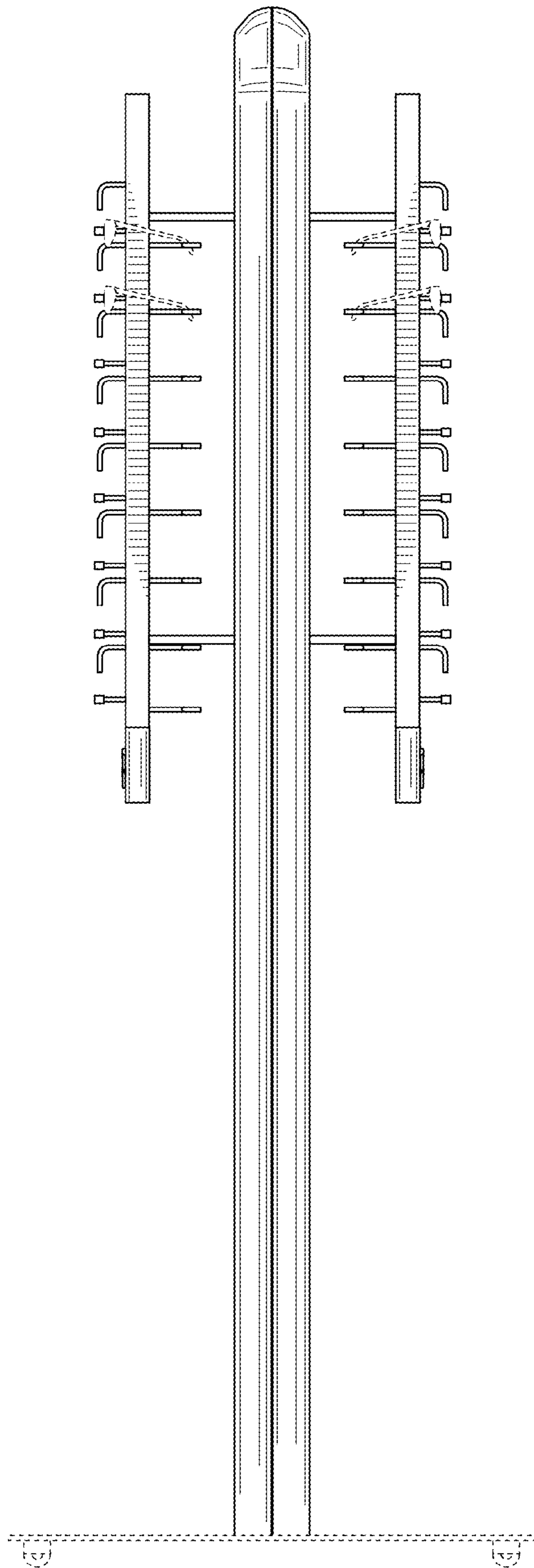


FIG. 5

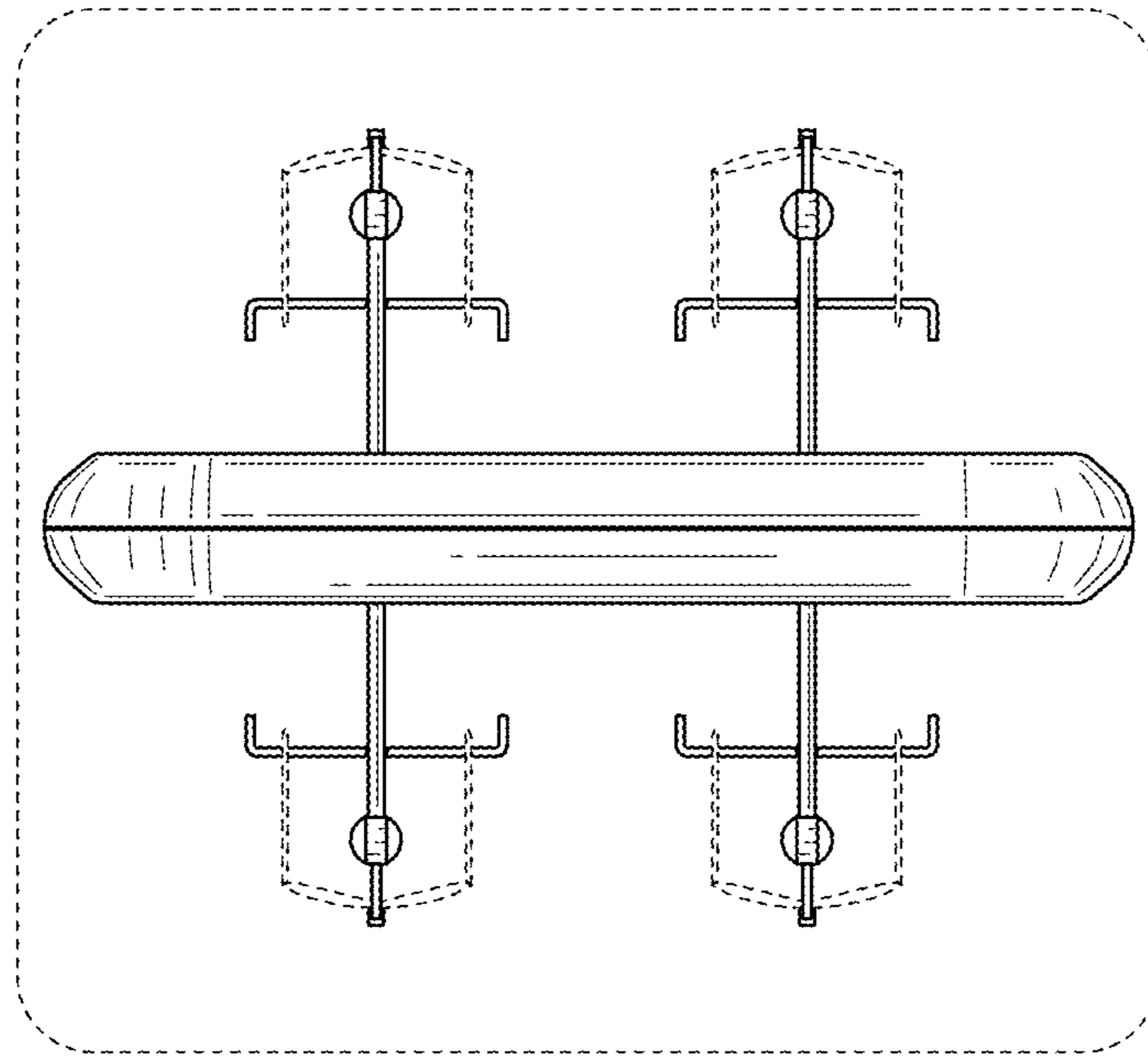


FIG. 6

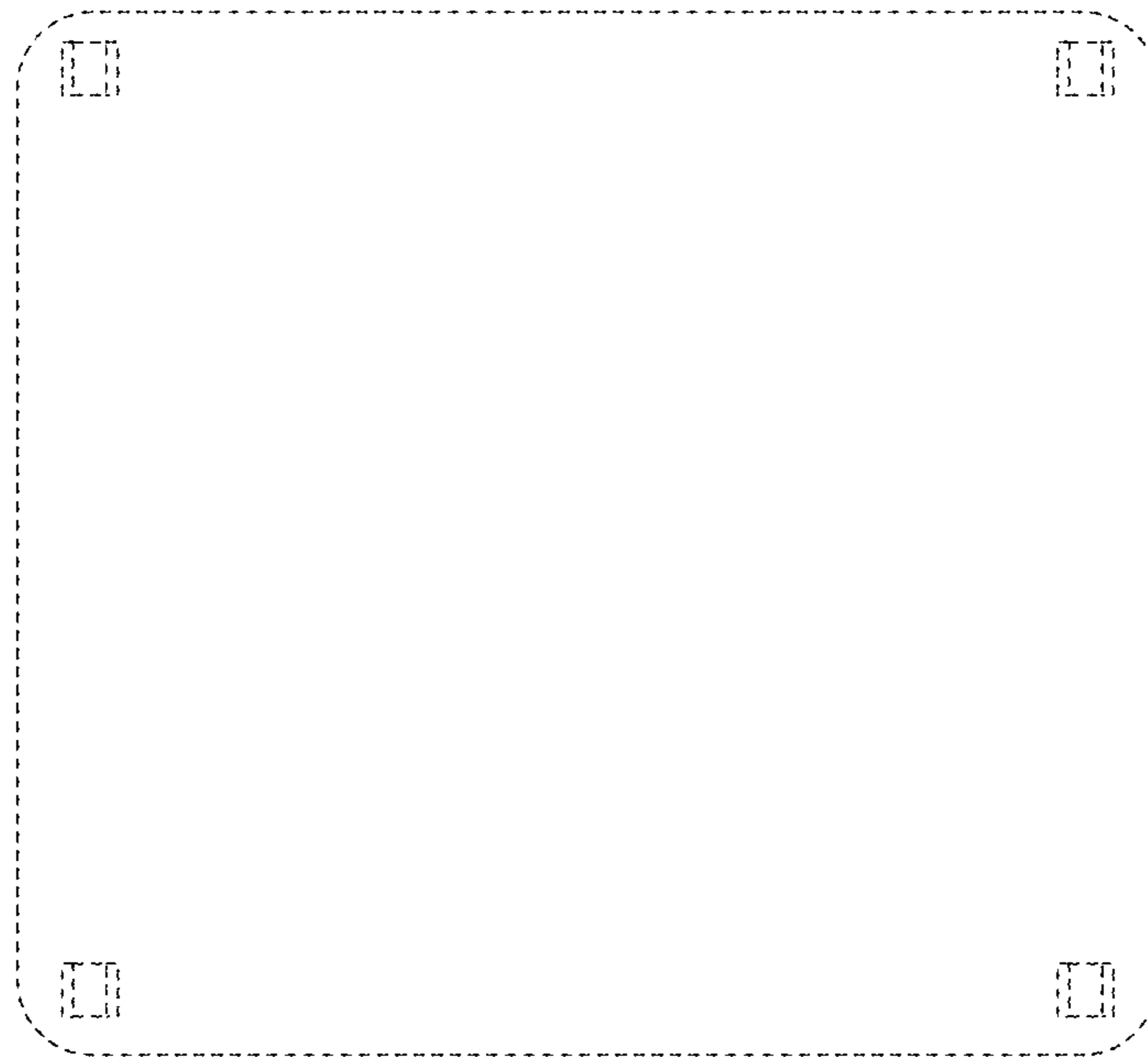


FIG. 7