



US00D874191S

(12) **United States Design Patent** (10) **Patent No.:** **US D874,191 S**  
**Qi** (45) **Date of Patent:** **\*\* Feb. 4, 2020**

- (54) **CLOTHES RACK**
- (71) Applicant: **Shenzhen Lifuqi E-Commerce Co., Ltd.**, Shenzhen (CN)
- (72) Inventor: **Jingting Qi**, Jiangxi (CN)
- (73) Assignee: **Shenzhen Lifuqi E-Commerce Co., Ltd.**, Shenzhen (CN)
- (\*\*) Term: **15 Years**
- (21) Appl. No.: **29/626,285**
- (22) Filed: **Nov. 16, 2017**
- (51) **LOC (12) Cl.** ..... **06-04**
- (52) **U.S. Cl.**  
USPC ..... **D6/664**
- (58) **Field of Classification Search**  
USPC ..... D6/552, 664, 681, 681.1, 681.3, 675.5  
CPC ..... A47B 43/00; A47B 47/0083; A47B 57/48;  
A47F 5/0018; A47F 5/13  
See application file for complete search history.

- D474,350 S \* 5/2003 Sardis ..... D6/681.1
- 8,950,602 B2 \* 2/2015 Fanourgiakis ..... A47B 45/00  
211/175
- 9,004,300 B1 \* 4/2015 Morrell ..... A47F 5/137  
108/107
- 9,247,834 B1 \* 2/2016 Lucht ..... A47F 5/13
- D750,401 S \* 3/2016 Ruiz ..... D6/681
- D753,940 S \* 4/2016 Ruiz ..... D6/681
- D762,402 S \* 8/2016 Hsu ..... D6/675.5
- 9,820,572 B1 \* 11/2017 Kuehn ..... A47B 87/0215
- D809,835 S \* 2/2018 Greenspon ..... D6/681
- D829,473 S \* 10/2018 Mical ..... D6/681

\* cited by examiner

*Primary Examiner* — Kevin K Rudzinski  
*Assistant Examiner* — Paul D Bohannon  
(74) *Attorney, Agent, or Firm* — JCIPRNET

(57) **CLAIM**

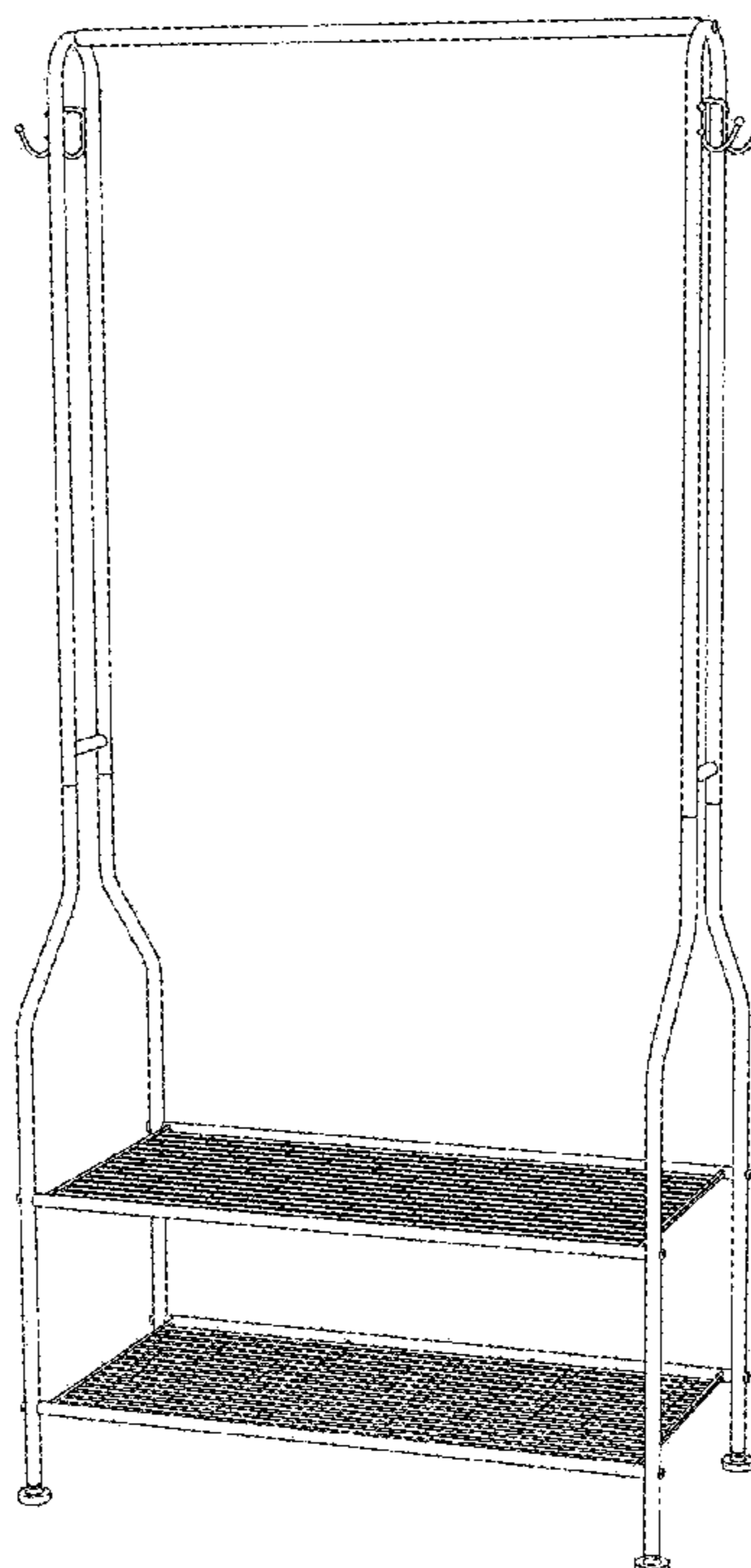
The ornamental design for a clothes rack, as shown and described.

**DESCRIPTION**

FIG. 1 is a perspective view of a clothes rack showing my new design;  
FIG. 2 is a front view thereof;  
FIG. 3 is a rear view thereof;  
FIG. 4 is a left side view thereof;  
FIG. 5 is a right side view thereof;  
FIG. 6 is a top view thereof; and,  
FIG. 7 is a bottom view thereof.  
The broken lines shown in FIG. 7 are for the purpose of illustrating portions of the article that form no part of the claimed design.

**1 Claim, 6 Drawing Sheets**

- (56) **References Cited**  
U.S. PATENT DOCUMENTS
- D130,305 S \* 11/1941 Bersin et al. .... D6/681.1
- D134,111 S \* 10/1942 Bersin et al. .... 211/45
- D149,816 S \* 6/1948 Ivelow ..... 248/175
- D267,373 S \* 12/1982 Behrens ..... D34/21
- D275,719 S \* 10/1984 Ritchey ..... D6/317
- D294,543 S \* 3/1988 Rekow ..... D6/681.3
- D327,173 S \* 6/1992 De Leu ..... D6/317
- 5,676,263 A \* 10/1997 Chang ..... A47B 57/26  
108/147.13
- D398,469 S \* 9/1998 Leong ..... D6/552



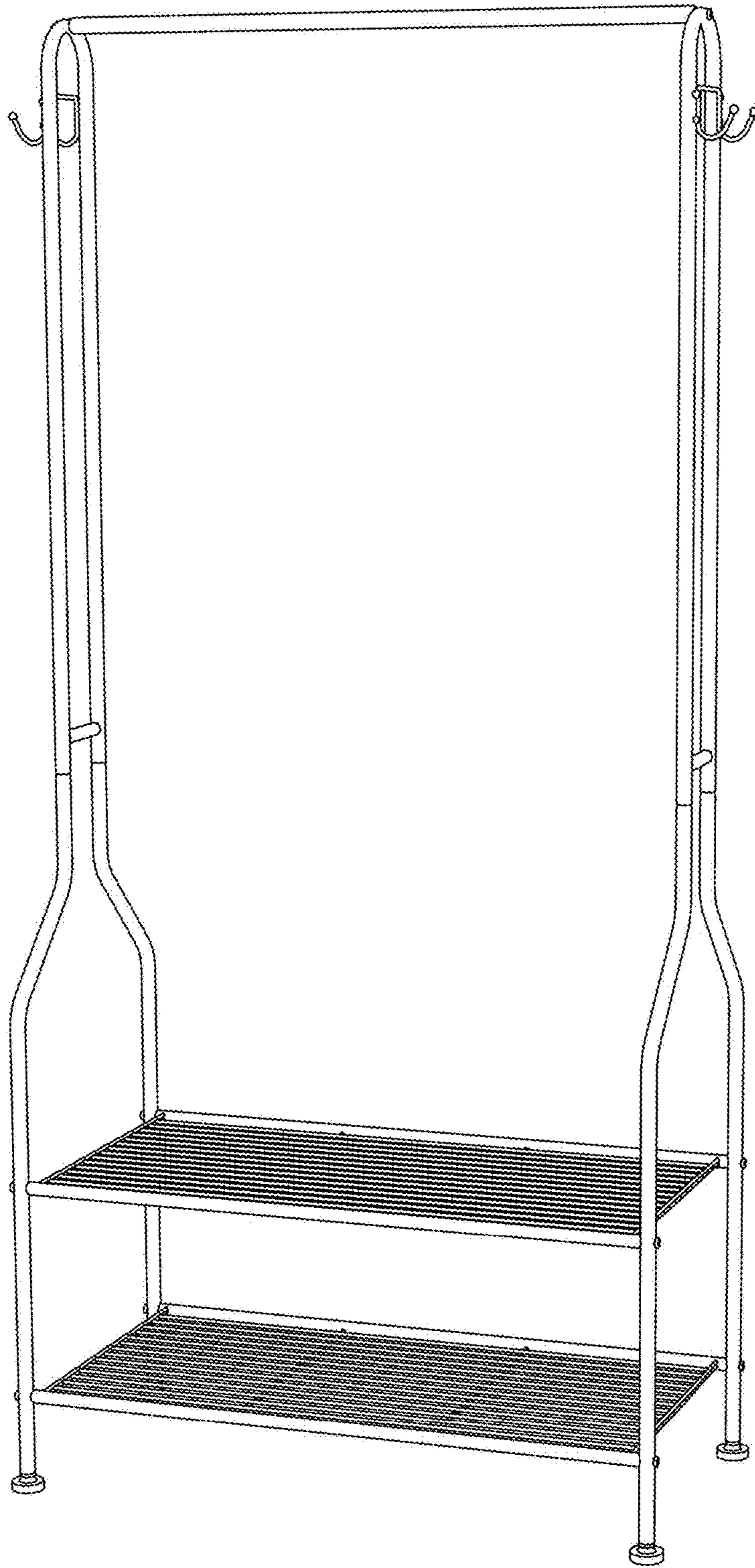


FIG. 1

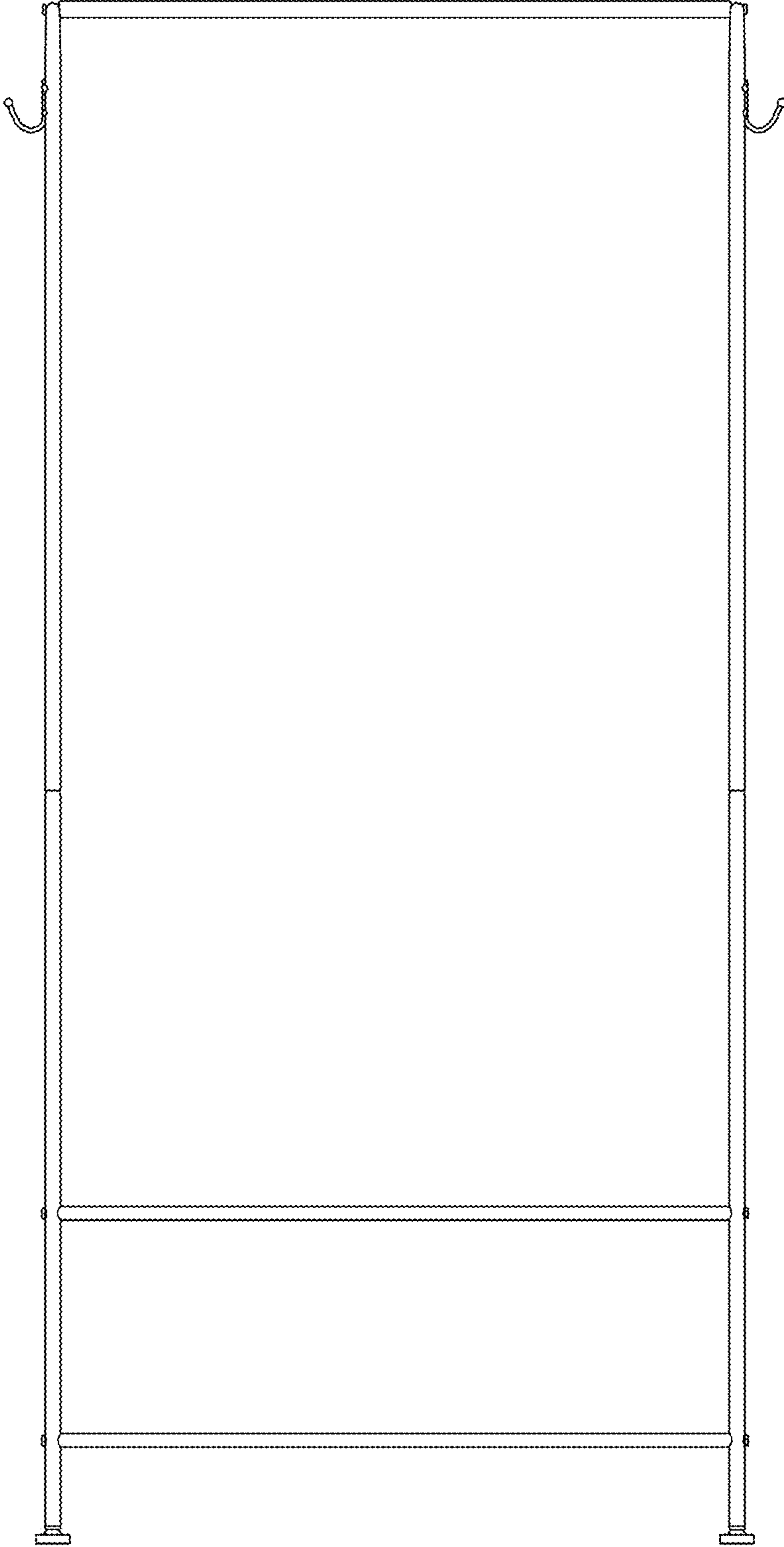


FIG. 2

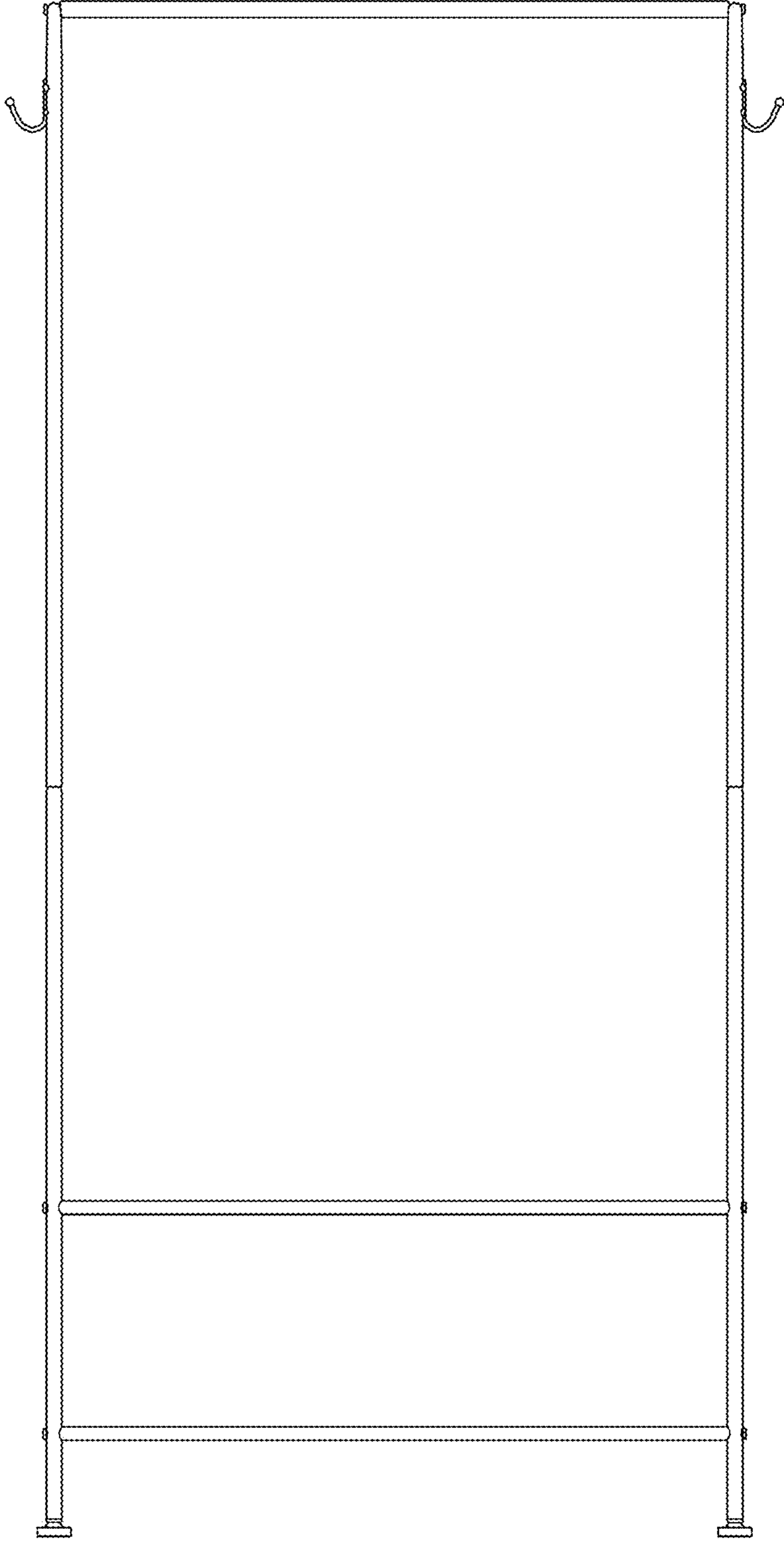


FIG. 3

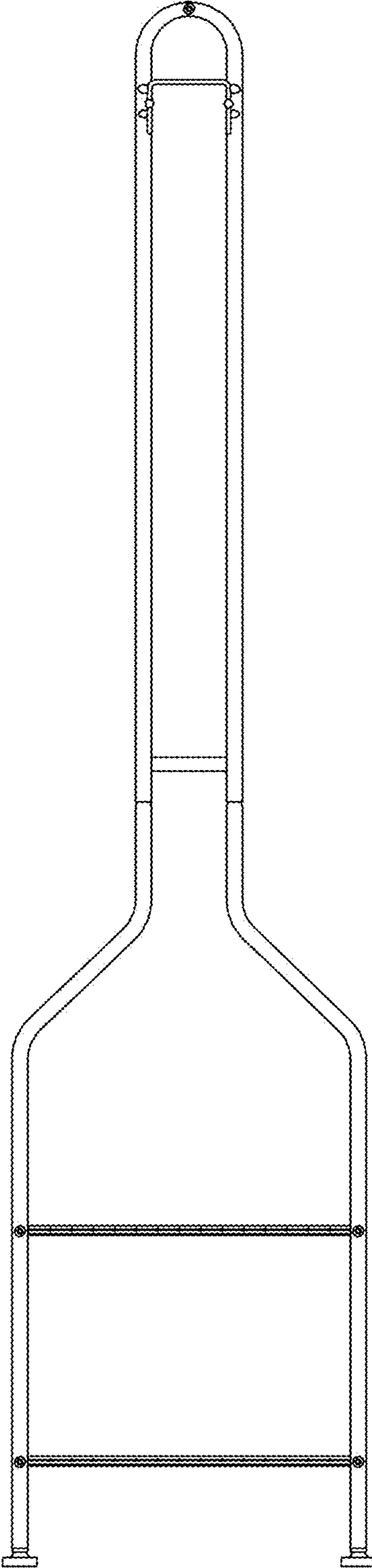


FIG. 4

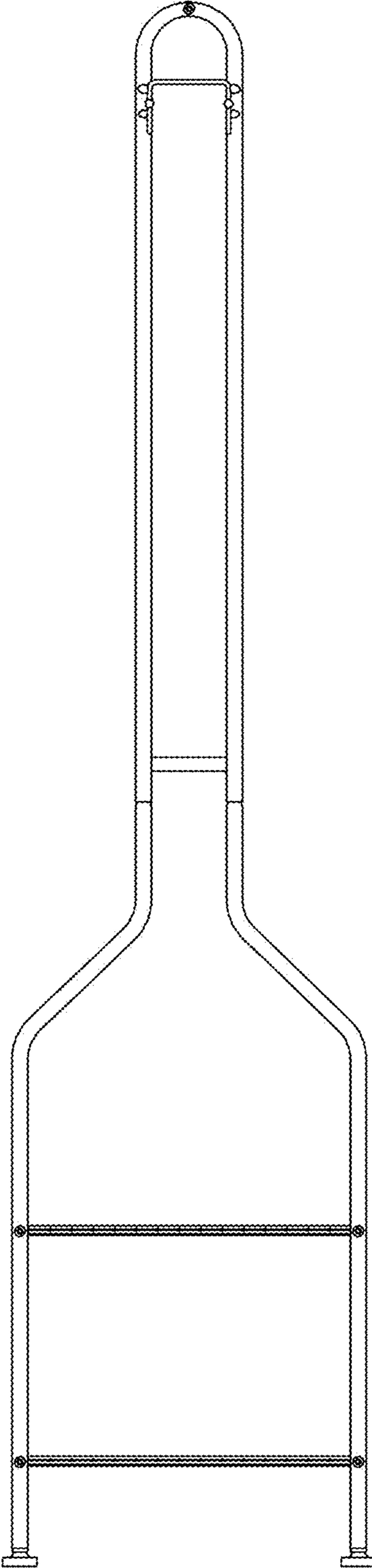


FIG. 5

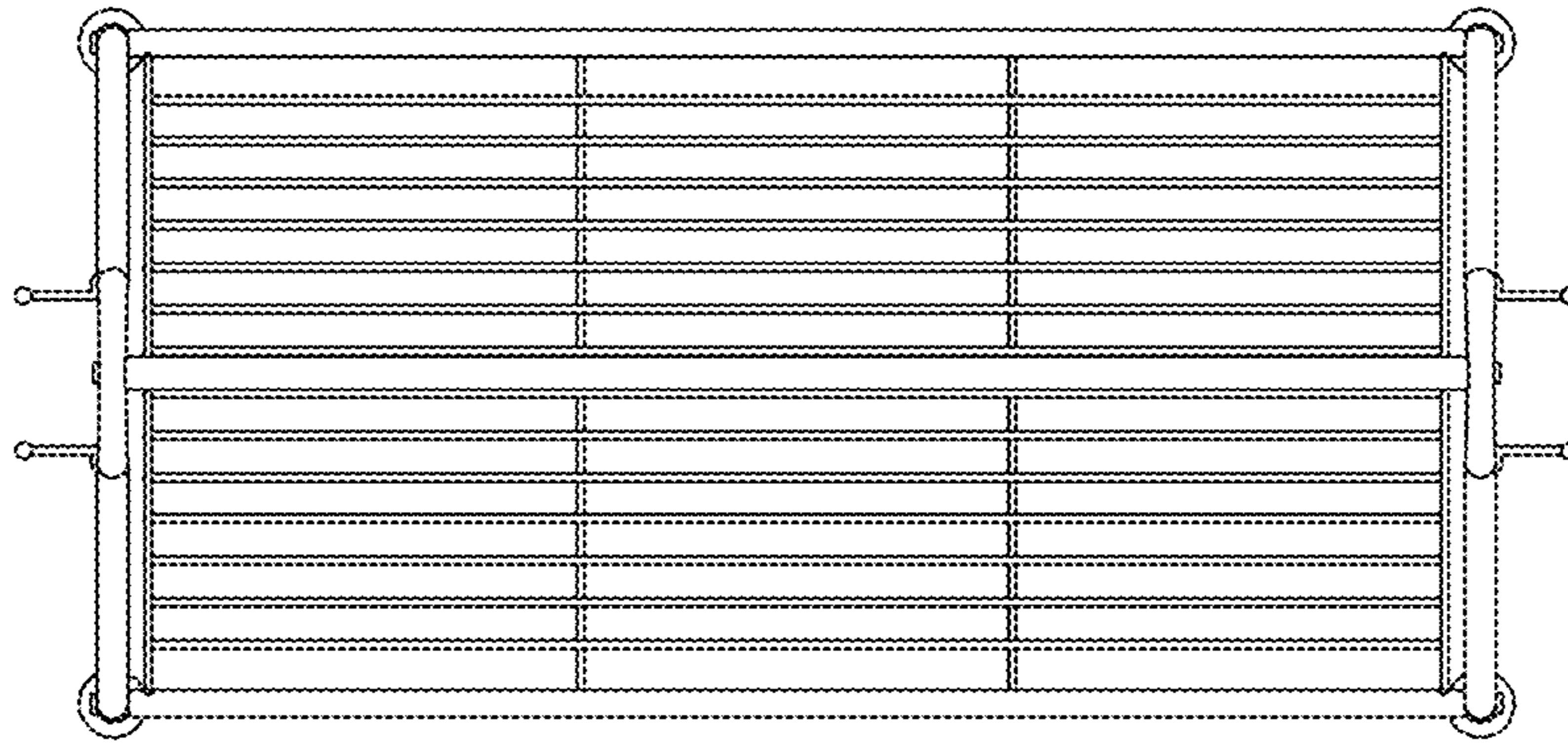


FIG. 6

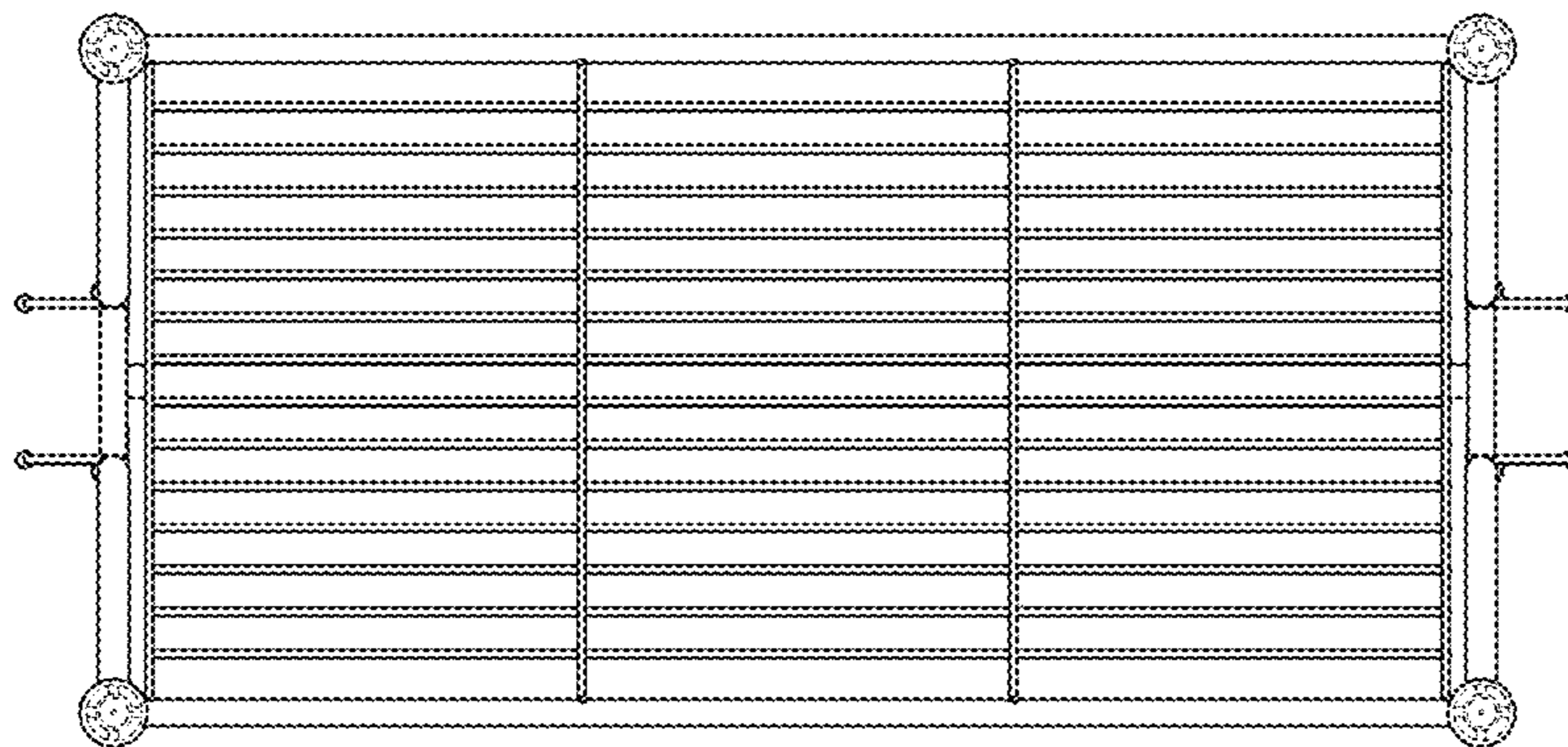


FIG. 7