



US00D874190S

(12) **United States Design Patent** (10) **Patent No.:** **US D874,190 S**  
**Papic et al.** (45) **Date of Patent:** **\*\* Feb. 4, 2020**

- (54) **CONSOLE**
- (71) Applicant: **Evans Consoles Corporation**, Calgary, Alberta (CA)
- (72) Inventors: **Matko Papic**, Calgary (CA); **Carlos Renderos**, Calgary (CA); **Richard Game**, Calgary (CA); **Randy Simington**, Calgary (CA)
- (73) Assignee: **EVANS CONSOLES CORPORATION**, Calgary, Alberta (CA)
- (\*\*) Term: **15 Years**
- (21) Appl. No.: **29/672,916**
- (22) Filed: **Dec. 10, 2018**

**Related U.S. Application Data**

- (62) Division of application No. 29/616,090, filed on Sep. 1, 2017.
- (51) **LOC (12) Cl.** ..... **06-03**
- (52) **U.S. Cl.**  
USPC ..... **D6/656**
- (58) **Field of Classification Search**  
USPC .... D6/353, 368, 518, 642, 655-655.23, 656, D6/656.01, 656.11, 656.12, 656.13, D6/656.14, 656.15, 656.16, 656.17, D6/656.18, 656.19, 663, 684, 686, 687, D6/691, 691.01, 691.9, 698, 707.19, 708, D6/708.17, 709.17; D13/19  
CPC .... A47B 3/00; A47B 3/12; A47B 3/14; A47B 5/00; A47B 7/00; A47B 7/02; A47B 17/00; A47B 19/00; A47B 23/00; A47B 2031/004  
See application file for complete search history.

(56) **References Cited**

**U.S. PATENT DOCUMENTS**

- 5,244,255 A \* 9/1993 Mill ..... A47C 16/02 248/222.52
- D355,312 S \* 2/1995 Wolff ..... D6/652

- D665,180 S \* 8/2012 Ekelchik ..... D6/353
- D694,558 S \* 12/2013 Denby ..... D6/675.1
- D718,502 S \* 11/2014 Paculdo ..... D30/118
- D768,417 S \* 10/2016 Johnson ..... D6/687
- D785,983 S \* 5/2017 Denby ..... D6/689
- 9,717,327 B2 \* 8/2017 Papic ..... A47B 9/20
- 2011/0001406 A1 \* 1/2011 Han ..... F16M 11/046 312/236

(Continued)

**OTHER PUBLICATIONS**

Strategy SX, posted at Youtube.com, posted on May 16, 2017, site visited Jan. 17, 2019. online, available from internet: <https://www.youtube.com/watch?v=VtripdjclBw> (Year: 2017).\*

(Continued)

*Primary Examiner* — Mary Ann Calabrese

*Assistant Examiner* — Catherine Ho

(74) *Attorney, Agent, or Firm* — Notaro, Michalos & Zaccaria P.C.

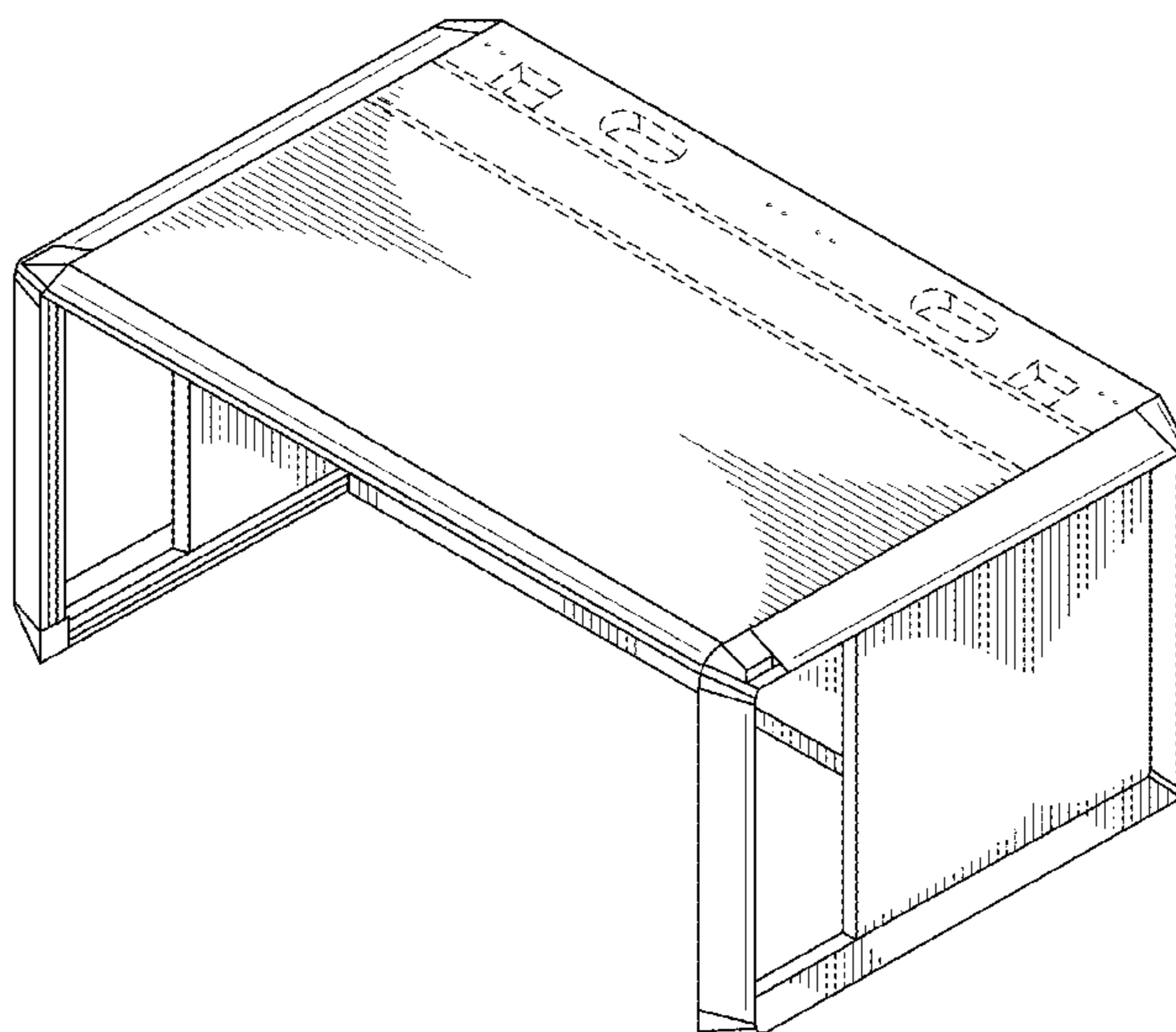
(57) **CLAIM**

The ornamental design for a console, as shown and described.

**DESCRIPTION**

FIG. 1 is a top perspective view of a console showing our new design therefor;  
FIG. 2 is a top plan view thereof;  
FIG. 3 is a front elevational view thereof;  
FIG. 4 is a left side elevational view thereof, the right side view being a mirror image thereof; and,  
FIG. 5 is a rear elevational view thereof.  
The broken lines are to illustrate the environment only and form no part of the claimed design.

**1 Claim, 5 Drawing Sheets**



(56)

**References Cited**

U.S. PATENT DOCUMENTS

2015/0096472 A1\* 4/2015 Papic ..... A47B 9/20  
108/28  
2018/0055229 A1\* 3/2018 Game ..... A47B 21/02

OTHER PUBLICATIONS

Evans Strategy Console, posted at Youtube.com, posted on Jan. 8, 2016, site visited Jan. 17, 2019. online, available from internet: <https://www.youtube.com/watch?v=2RF7HJXxyHk> (Year: 2016).\*

\* cited by examiner

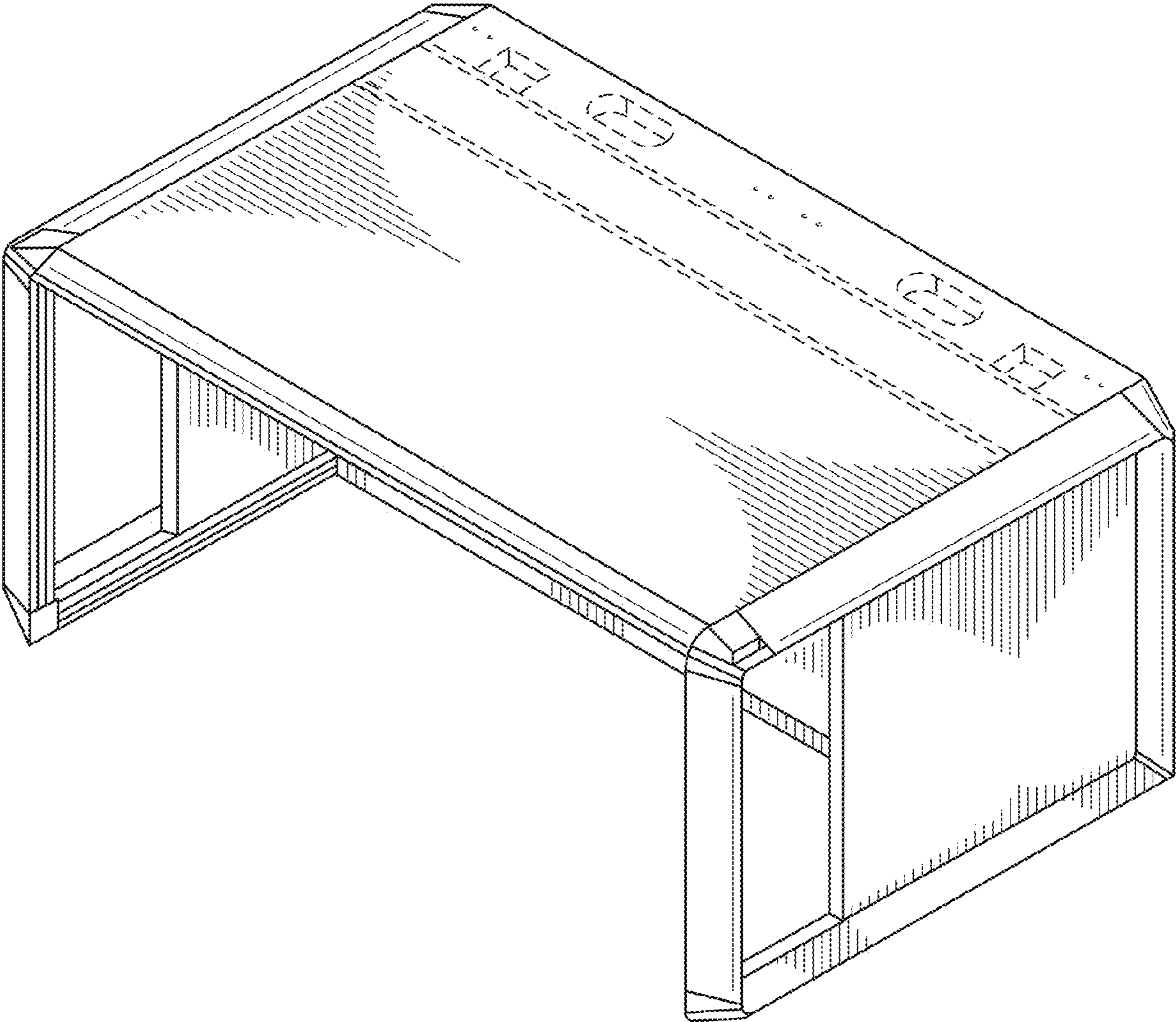


FIG. 1

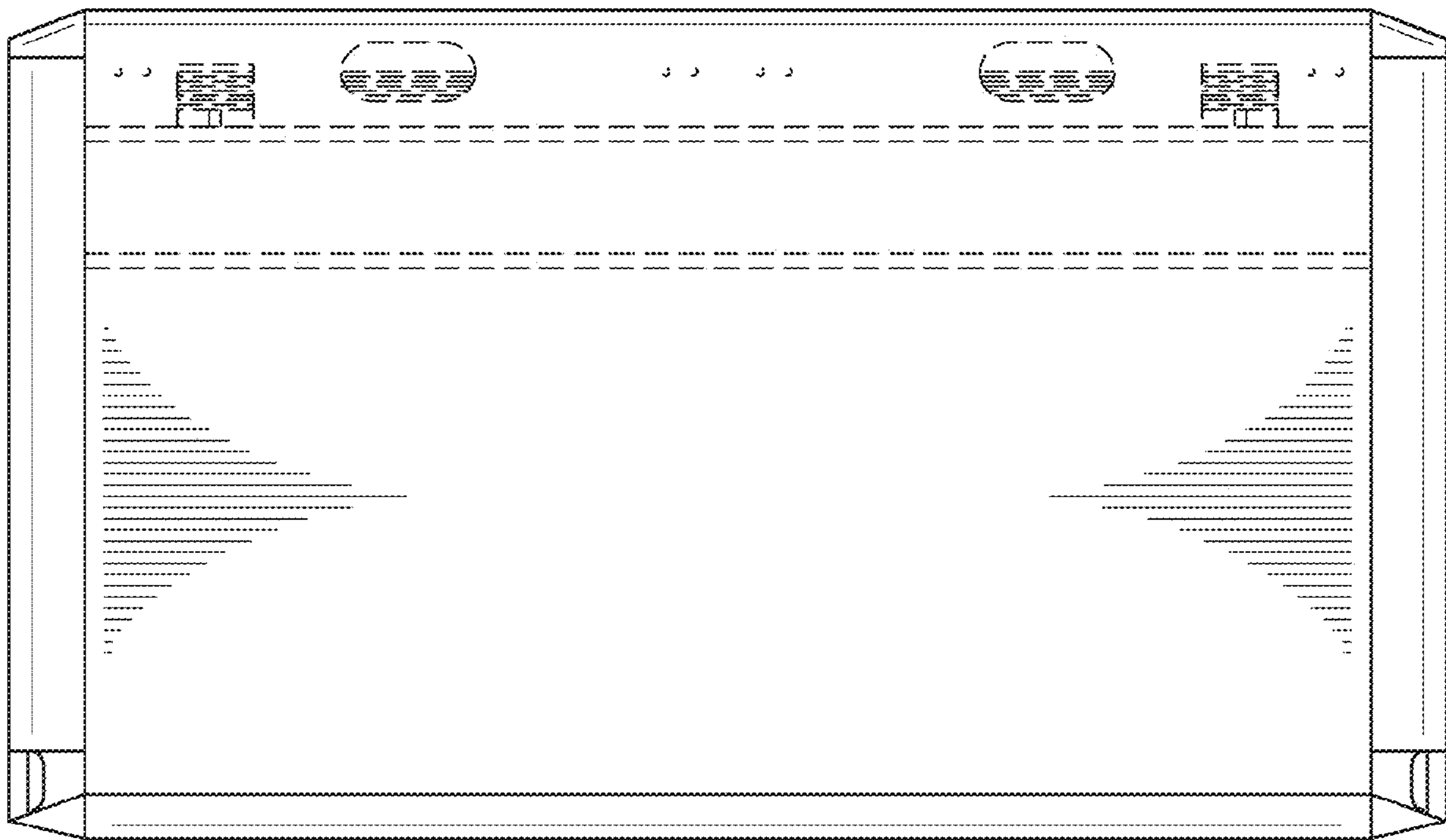


FIG. 2

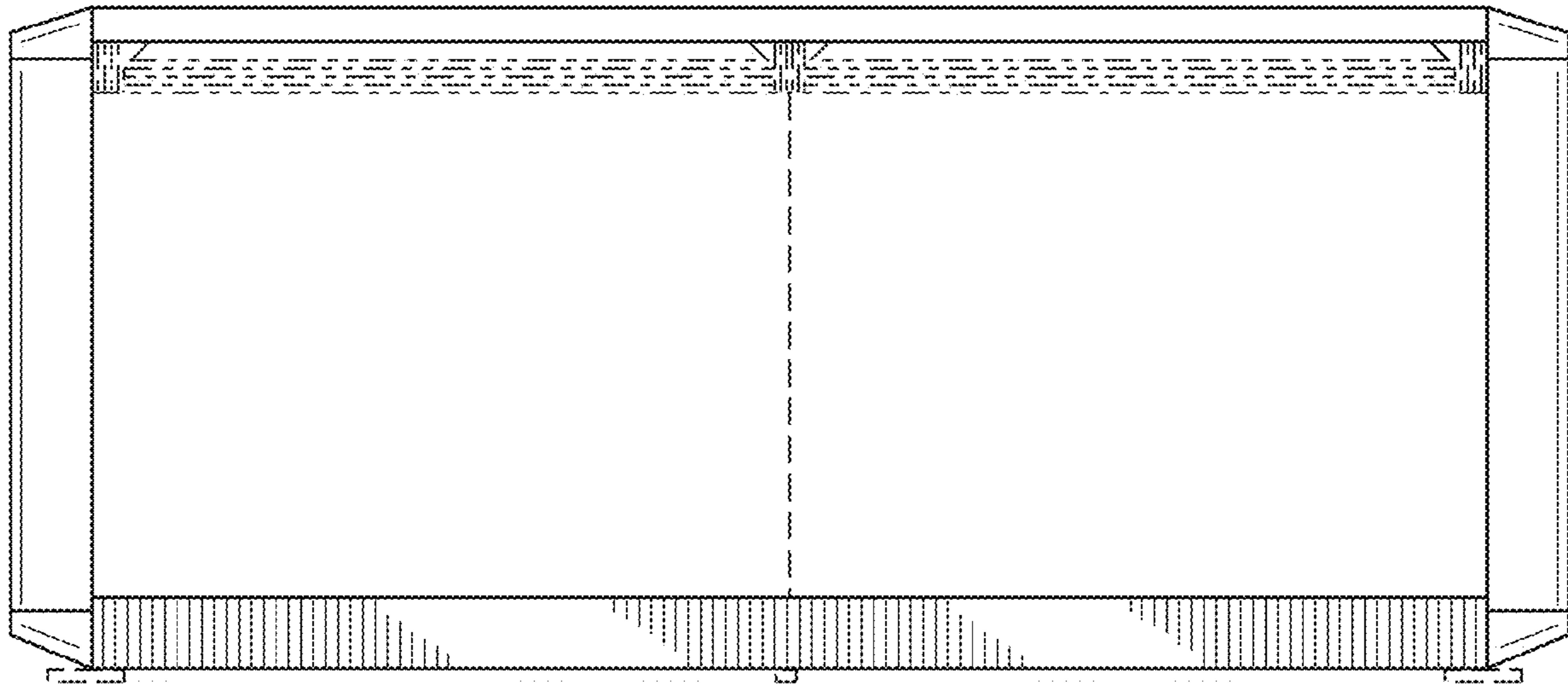


FIG. 3



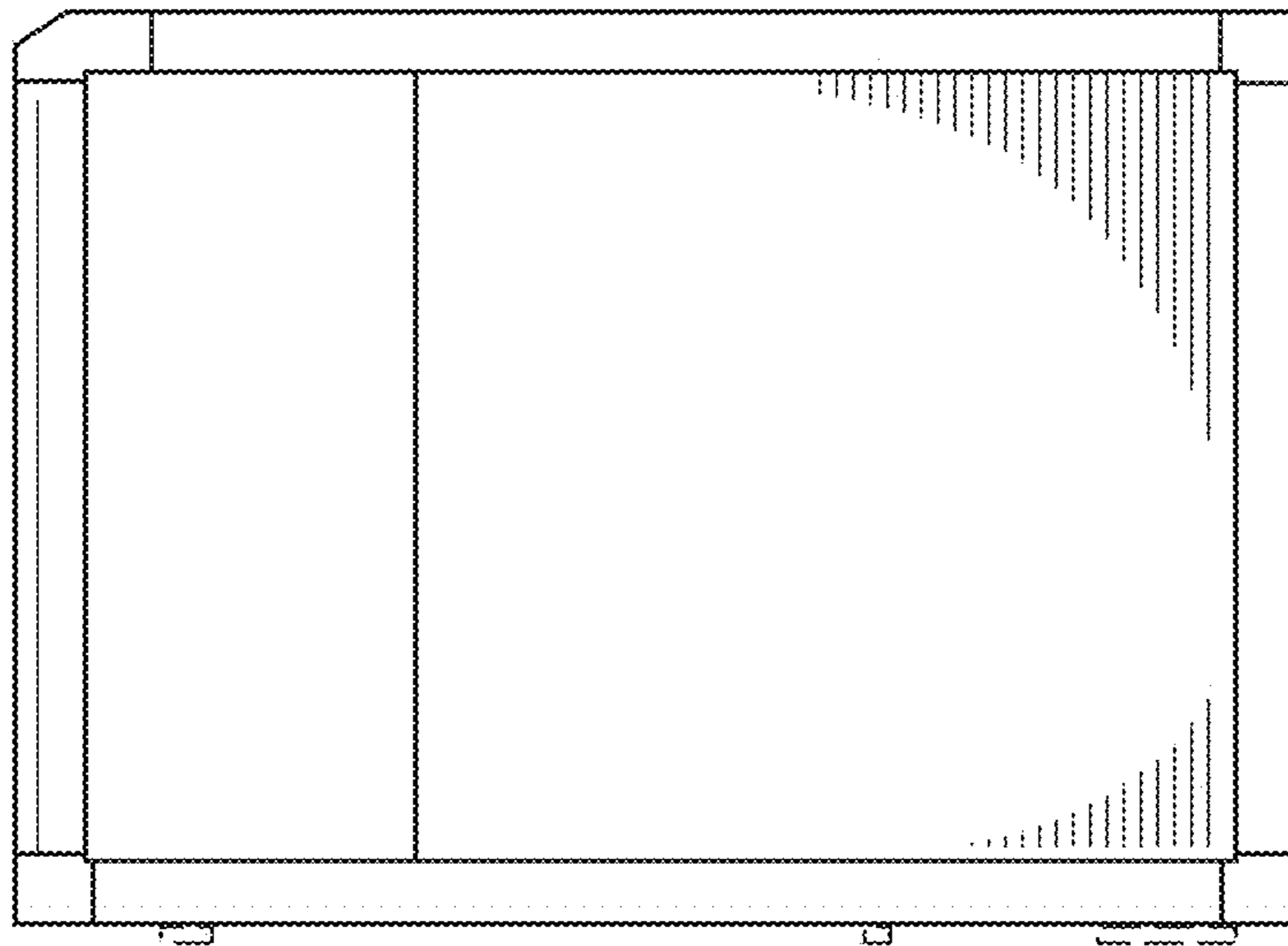


FIG. 4

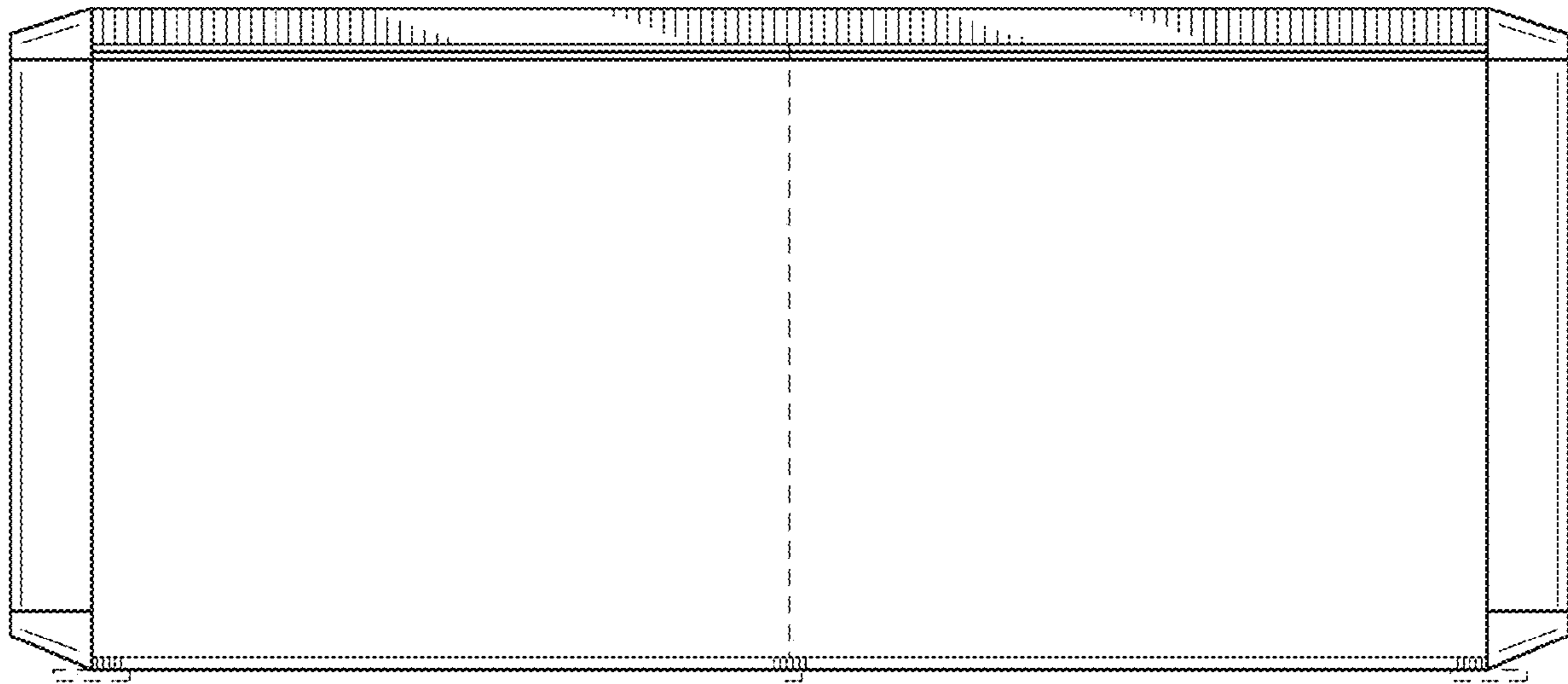


FIG. 5