



US00D874189S

(12) **United States Design Patent** (10) **Patent No.:** **US D874,189 S**
Papic et al. (45) **Date of Patent:** **** Feb. 4, 2020**

(54) **CONSOLE**
(71) Applicant: **Evans Consoles Corporation**, Calgary, Alberta (CA)
(72) Inventors: **Matko Papic**, Calgary (CA); **Carlos Renderos**, Calgary (CA); **Richard Game**, Calgary (CA); **Randy Simington**, Calgary (CA)

D611,733 S * 3/2010 Stukenberg D6/691
D620,286 S * 7/2010 Carmon D6/691
D637,836 S * 5/2011 Cortivo D6/656
D665,180 S * 8/2012 Ekelchik D6/353
D694,558 S * 12/2013 Denby D6/675.1
D718,502 S * 11/2014 Paculdo D30/118
D768,417 S * 10/2016 Johnson D6/687
D785,983 S * 5/2017 Denby D6/689
2013/0284075 A1* 10/2013 Reithler A47B 17/03
108/91

(73) Assignee: **EVANS CONSOLES CORPORATION**, Calgary, Alberta (CA)

(**) Term: **15 Years**

(21) Appl. No.: **29/616,090**

(22) Filed: **Sep. 1, 2017**

(51) **LOC (12) Cl.** **06-03**

(52) **U.S. Cl.**
USPC **D6/656**

(58) **Field of Classification Search**
USPC D6/353, 368, 518, 642, 655-655.23, 656, D6/656.1, 656.11, 656.12, 656.13, 656.14, D6/656.15, 656.16, 656.17, 656.18, D6/656.19, 663, 684, 686, 687, 691.1, D6/691.9, 698, 707.19, 708, 708.17, D6/709.17; D13/19
CPC A47B 3/00; A47B 3/12; A47B 3/14; A47B 5/00; A47B 7/00; A47B 7/02; A47B 17/00; A47B 19/00; A47B 23/00; A47B 2031/004

See application file for complete search history.

(56) **References Cited**

U.S. PATENT DOCUMENTS

D317,093 S * 5/1991 Koguma D6/656.16
D318,768 S * 8/1991 Westland D6/656.16
5,244,255 A * 9/1993 Mill A47C 16/02
248/222.52
D355,312 S * 2/1995 Wolff D6/652

OTHER PUBLICATIONS

Strategy SX, posted at Youtube.com, posted on May 16, 2017, site visited Oct. 6, 2018. online, available from internet: <https://www.youtube.com/watch?v=VtripdjlBw>.
Evans Strategy Console, posted at Youtube.com, posted on Jan. 8, 2016, site visited Oct. 6, 2018. online, available from internet: <https://www.youtube.com/watch?v=2RF7HJXxyHk>.

* cited by examiner

Primary Examiner — Mary Ann Calabrese

Assistant Examiner — Catherine Ho

(74) *Attorney, Agent, or Firm* — Notaro, Michalos & Zaccaria P.C.

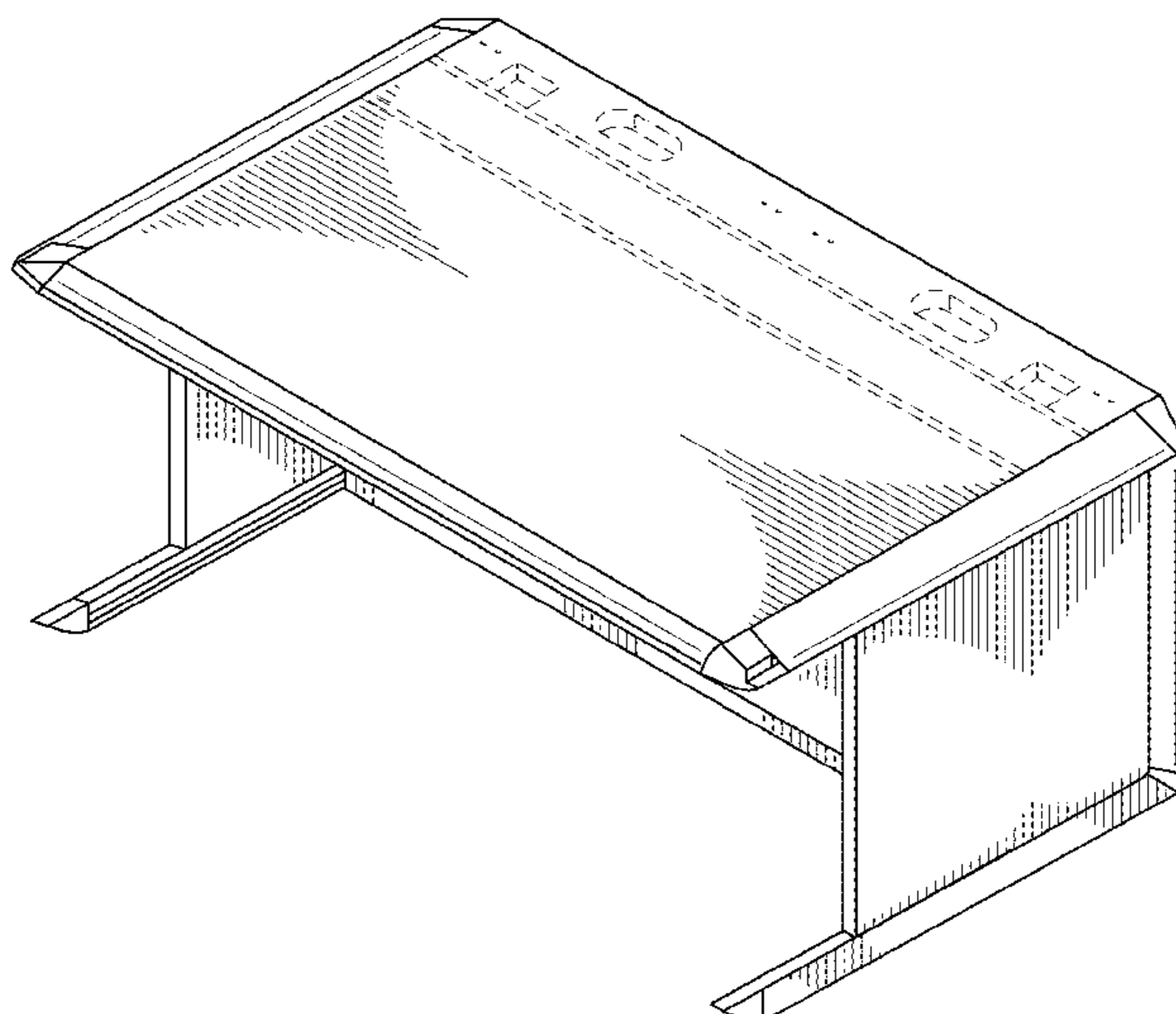
(57) **CLAIM**

The ornamental design for a console, as shown and described.

DESCRIPTION

FIG. 1 is a top perspective view of a console showing our new design therefor;
FIG. 2 is a top plan view thereof;
FIG. 3 is a front elevational view thereof;
FIG. 4 is a left side elevational view thereof, the right side view being a mirror image thereof; and,
FIG. 5 is a rear elevational view thereof.
The broken line portion of the figure drawings is included to show portions of the article that form no part of the claimed design.

1 Claim, 5 Drawing Sheets



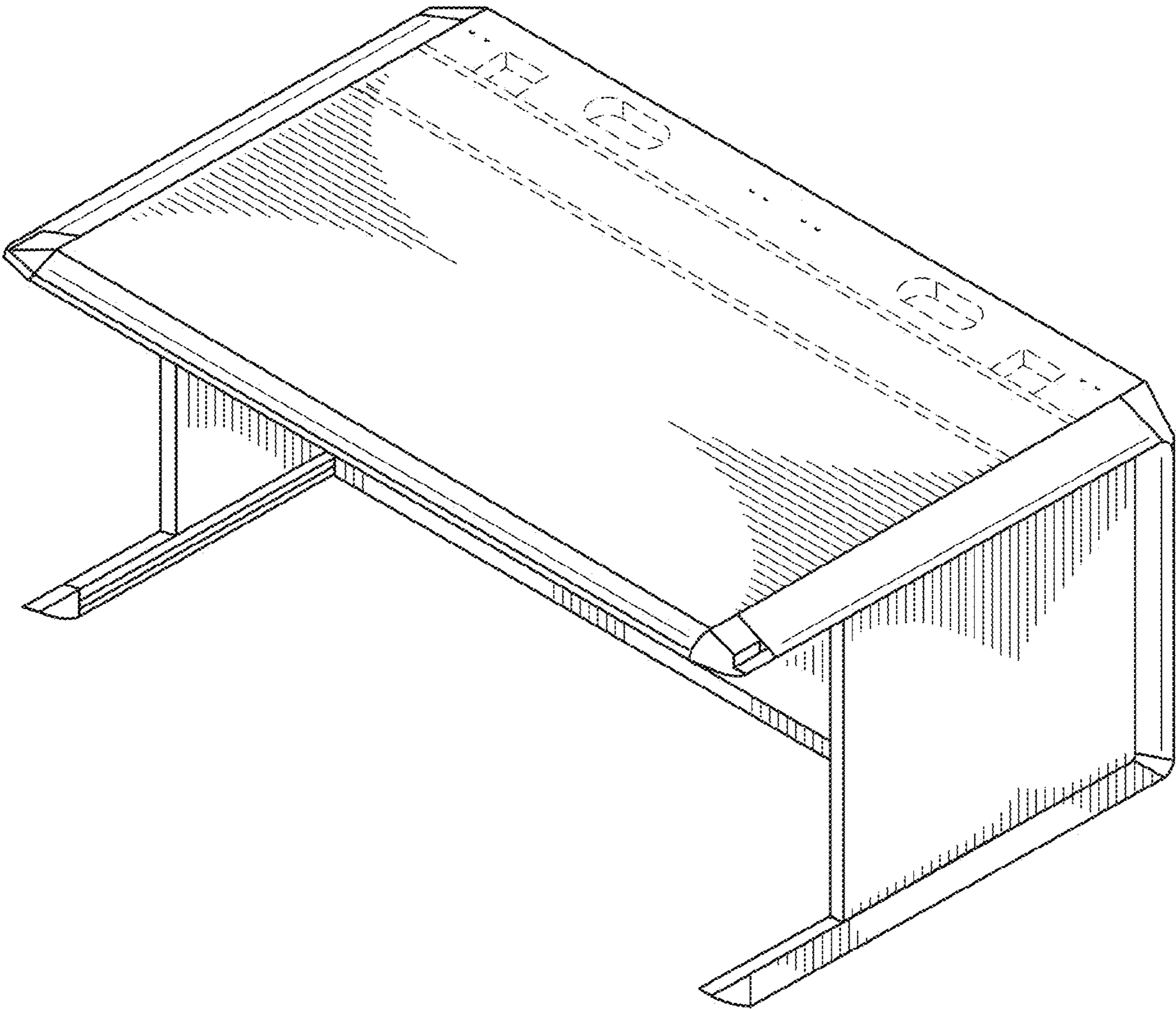


FIG. 1

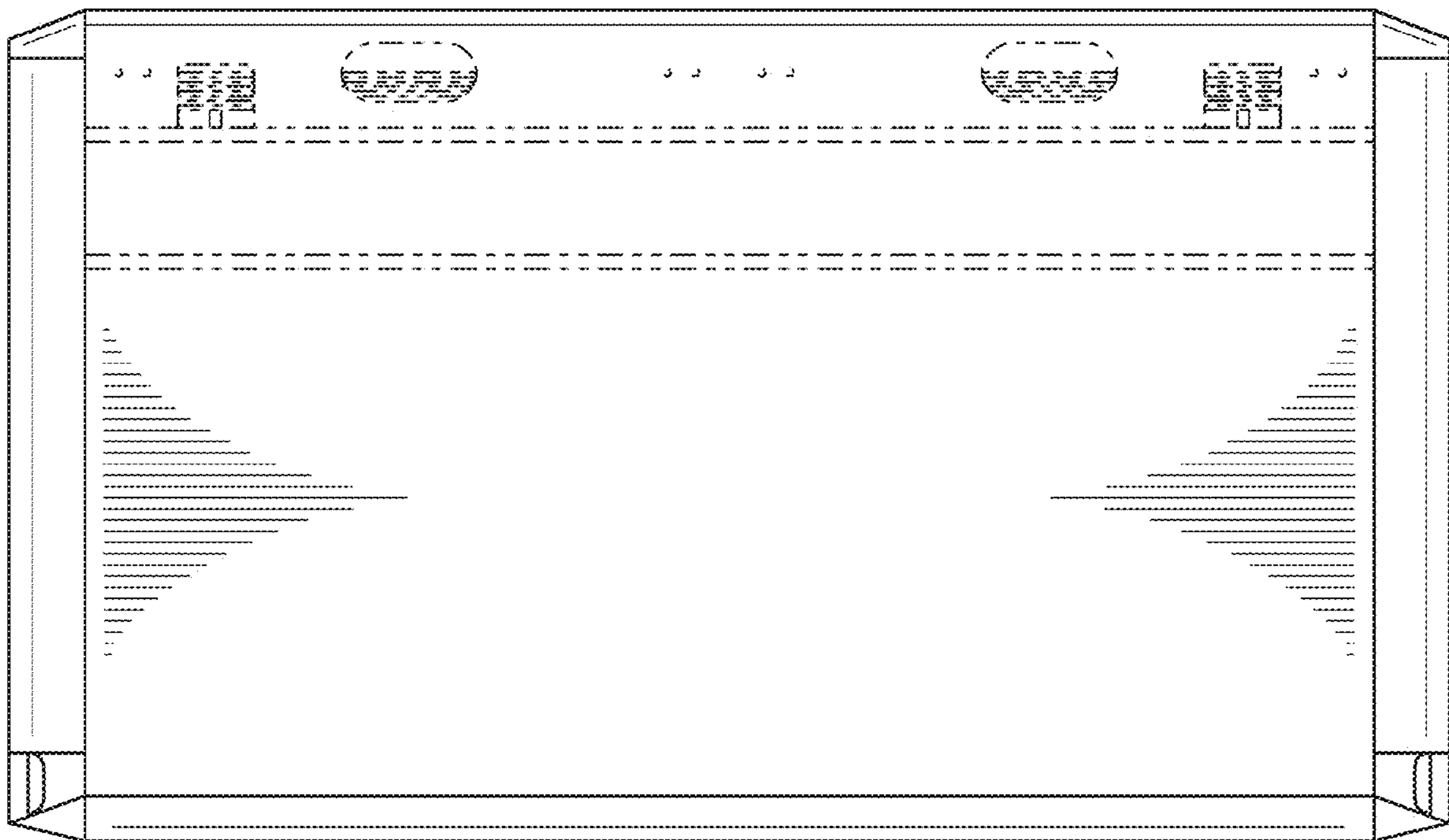


FIG. 2

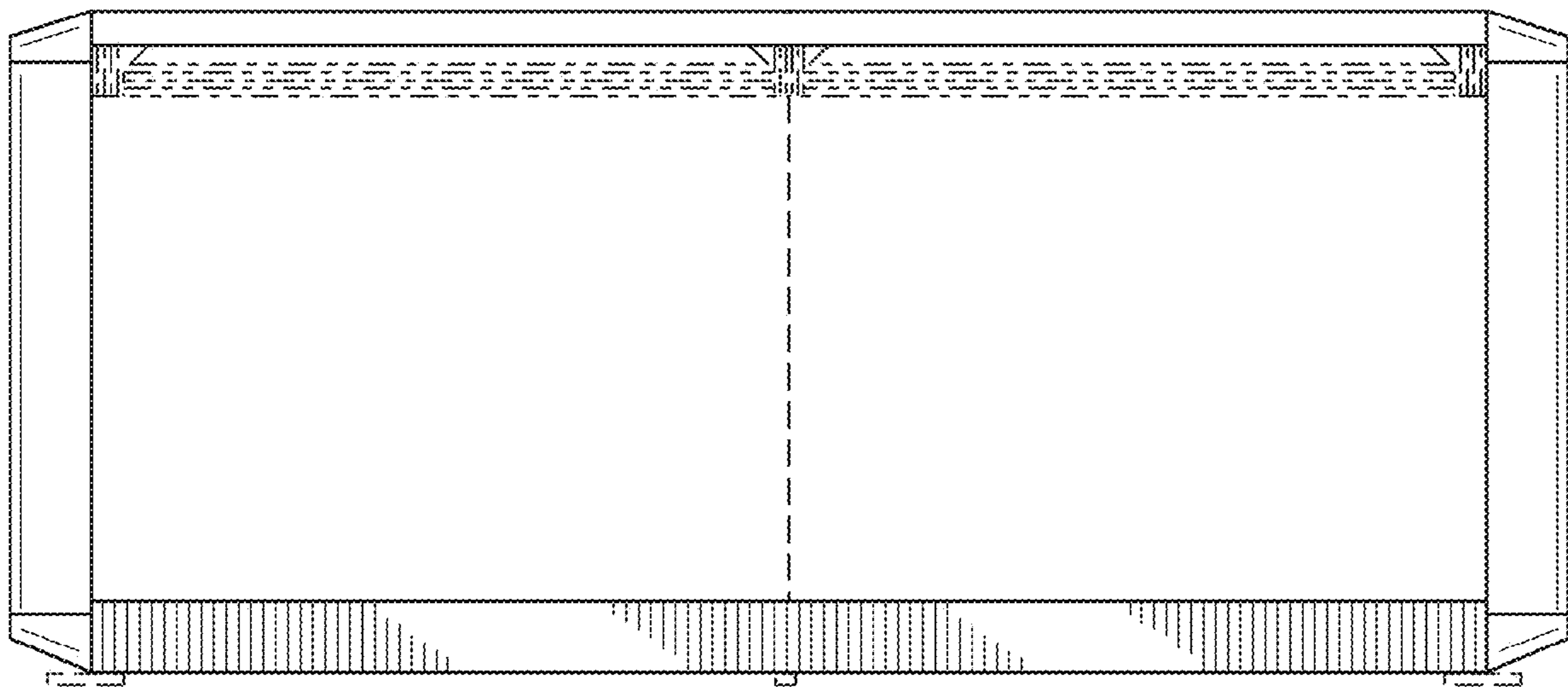


FIG. 3

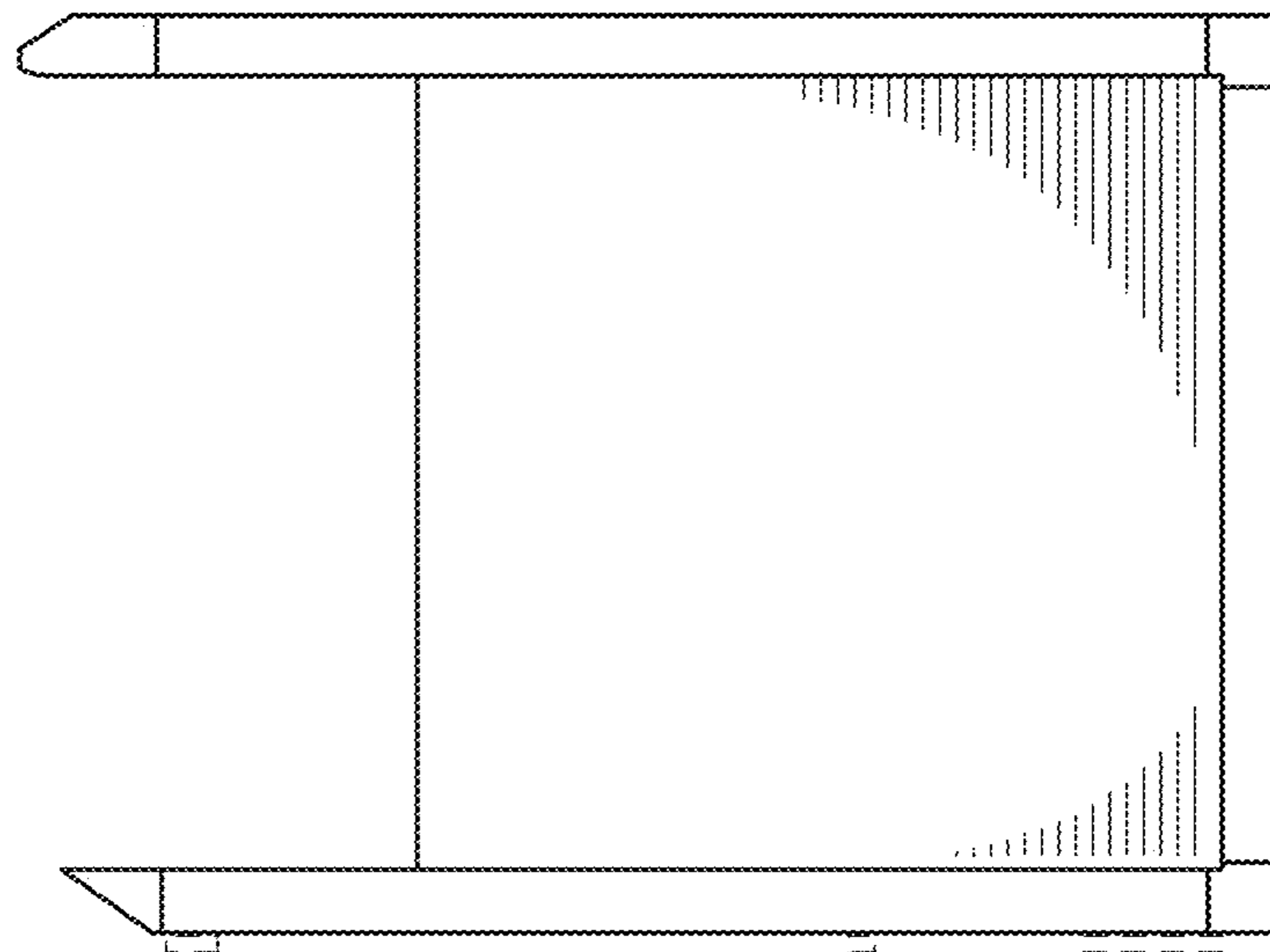


FIG. 4

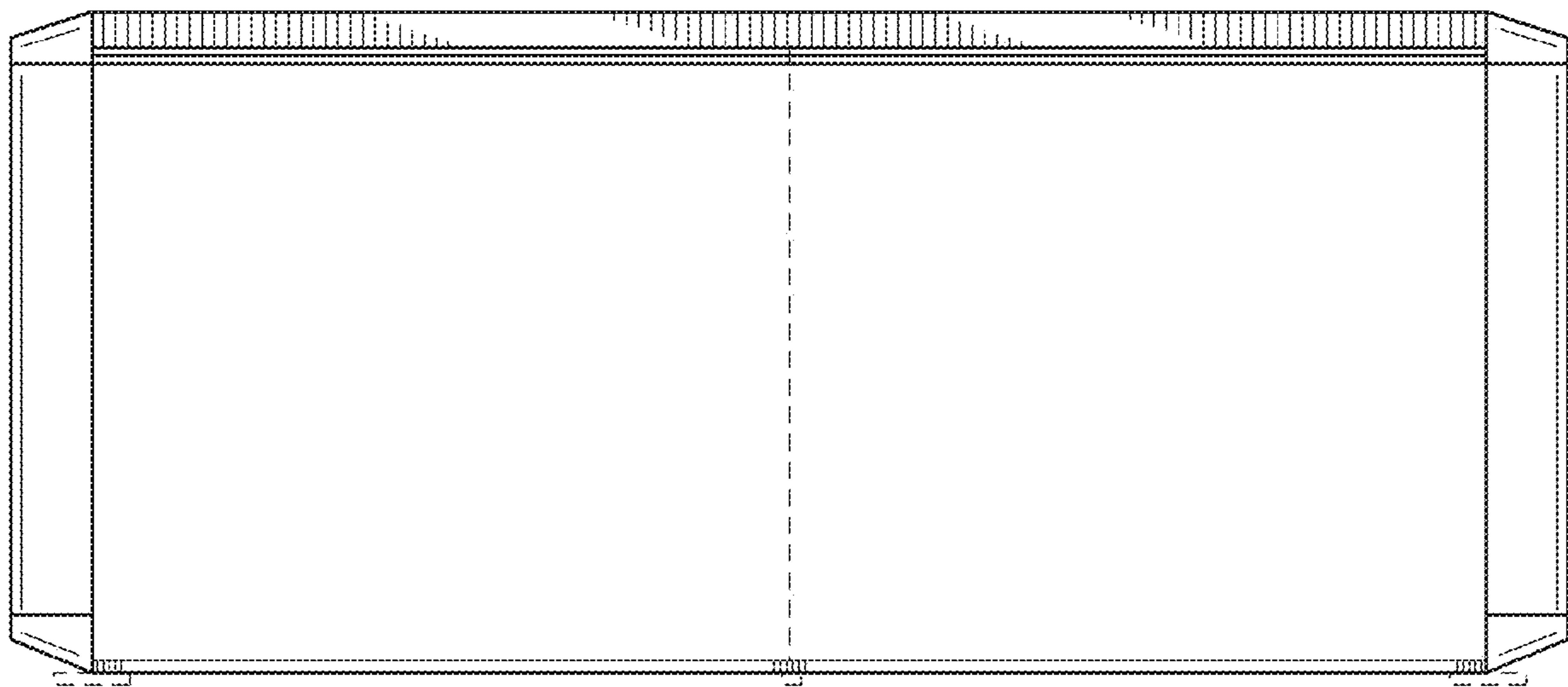


FIG. 5