



US00D874186S

(12) **United States Design Patent**  
**Mi**

(10) **Patent No.:** **US D874,186 S**

(45) **Date of Patent:** **\*\* Feb. 4, 2020**

- (54) **MEMORY FOAM PILLOW**
- (71) Applicant: **SHENZHEN QISHENGXIENENG ELECTRONIC CO., LTD.**, Guangdong (CN)
- (72) Inventor: **Shuang-Tian Mi**, Guangdong (CN)
- (73) Assignee: **SHENZHEN QISHENGXIENENG ELECTRONIC CO., LTD.**, Shenzhen, Guangdong (CN)

6,629,324 B1 \* 10/2003 Shapiro ..... A47G 9/10  
5/630  
D634,960 S \* 3/2011 Anson ..... D6/601  
D668,092 S \* 10/2012 Davis ..... D6/601  
D808,194 S \* 1/2018 Wyborn ..... D6/601  
D829,470 S \* 10/2018 Huang ..... D6/601  
D836,363 S \* 12/2018 Cornelius ..... D6/601  
D839,026 S \* 1/2019 Huang ..... D6/601  
2015/0108802 A1 \* 4/2015 Krishtul ..... A47C 7/029  
297/283.1

\* cited by examiner

*Primary Examiner* — R. Johnson

(74) *Attorney, Agent, or Firm* — Juan Carlos A. Marquez; Marquez IP Law Office, PLLC

(\*\*) Term: **15 Years**

(21) Appl. No.: **29/633,293**

(22) Filed: **Jan. 12, 2018**

(51) **LOC (12) Cl.** ..... **06-09**

(52) **U.S. Cl.**  
USPC ..... **D6/601**

(58) **Field of Classification Search**  
USPC ..... D6/595–597, 582, 601, 603, 604, 606  
CPC . A47G 9/00; A47G 9/06; A47G 9/062; A47G 9/083; A47G 9/086; A47G 9/10; A47G 9/1027; A47G 9/1054; A47G 9/1063; A47G 9/1072; A47G 2009/1018; A47C 17/64; A47C 21/026

See application file for complete search history.

(56) **References Cited**

**U.S. PATENT DOCUMENTS**

D381,855 S \* 8/1997 Galick ..... D6/596  
D474,364 S \* 5/2003 Arcieri ..... D6/601

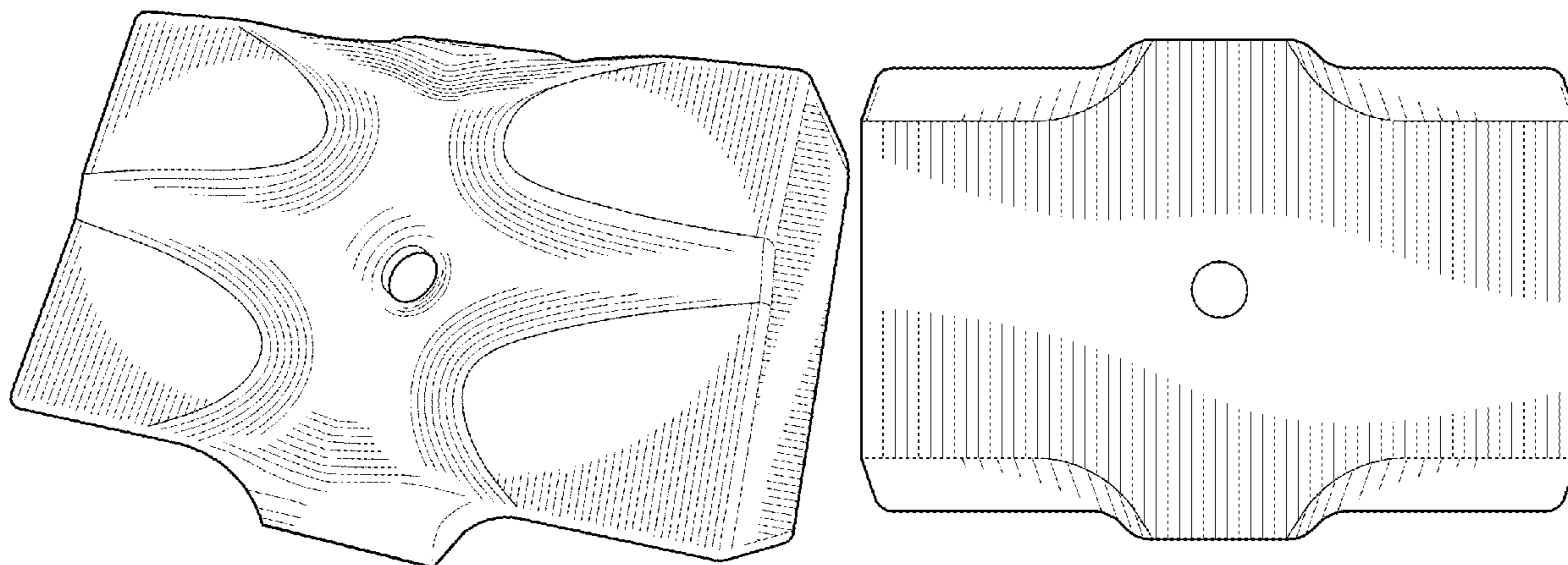
(57) **CLAIM**

The ornamental design for a memory foam pillow, as shown and described.

**DESCRIPTION**

FIG. 1 is a perspective view of a memory foam pillow, showing my new design;  
FIG. 2 is a front view thereof;  
FIG. 3 is a rear view thereof;  
FIG. 4 is a right-side view thereof;  
FIG. 5 is a left-side view thereof;  
FIG. 6 is a top view thereof; and,  
FIG. 7 is a bottom view thereof.

**1 Claim, 4 Drawing Sheets**



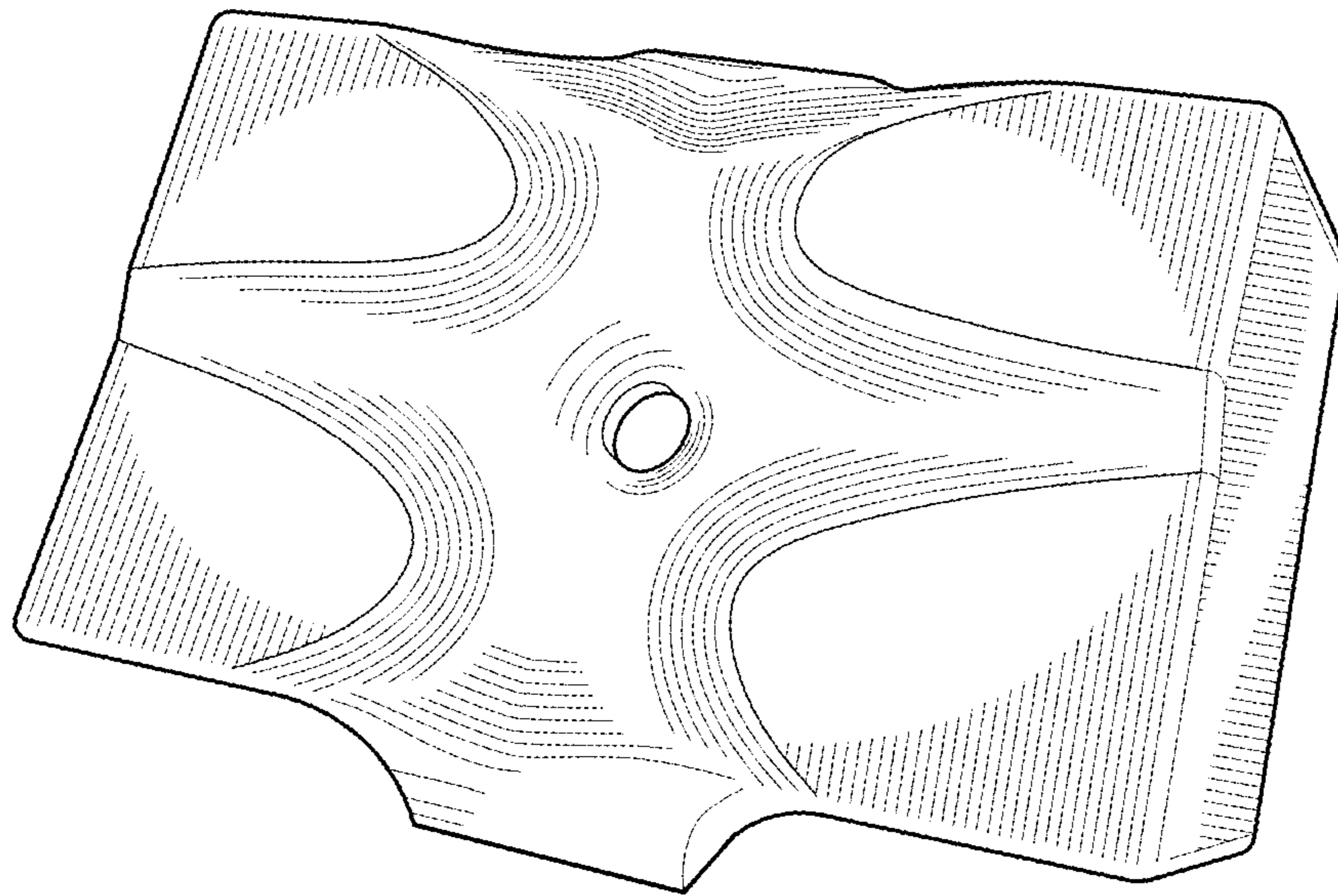


FIG. 1

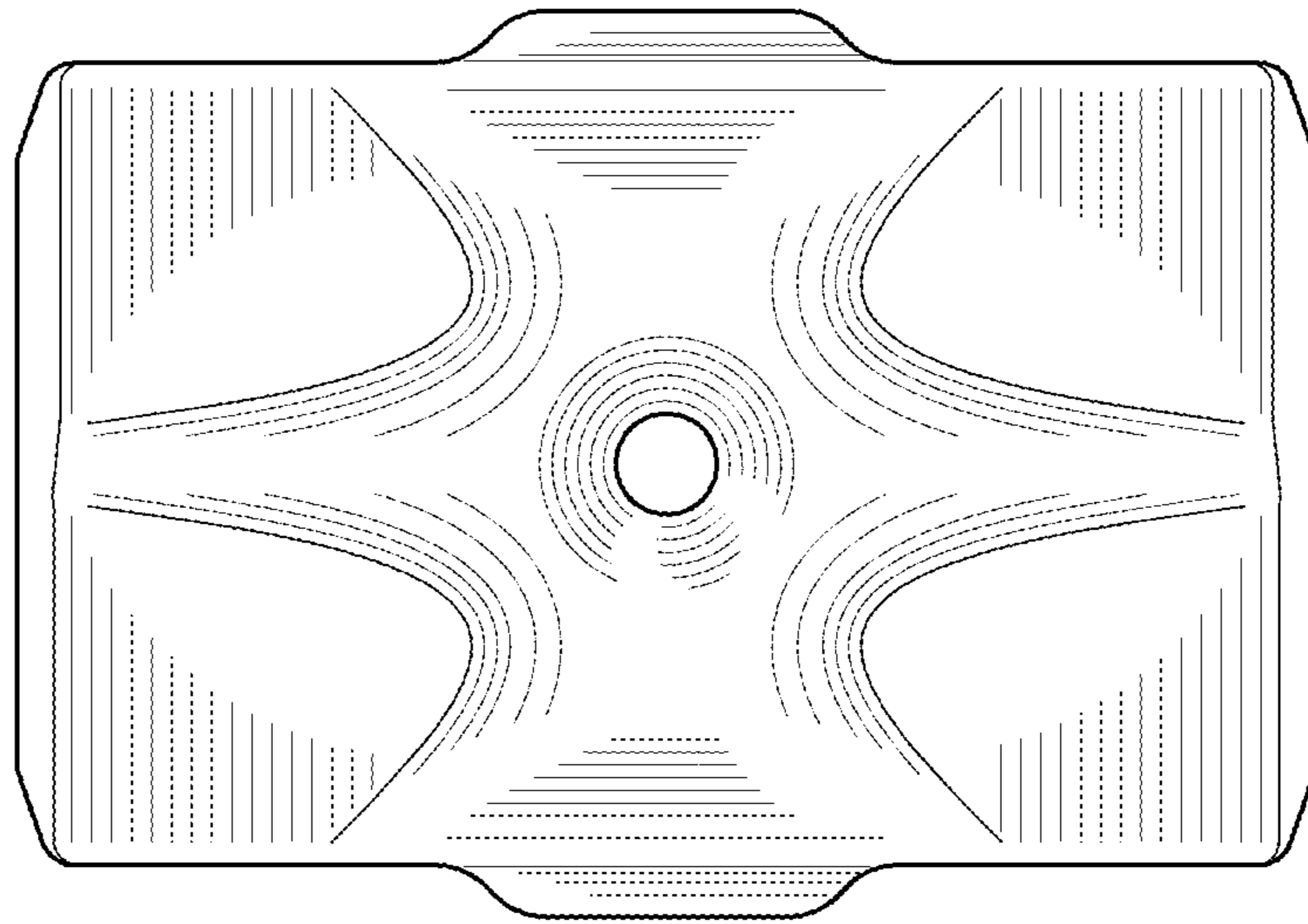


FIG. 2

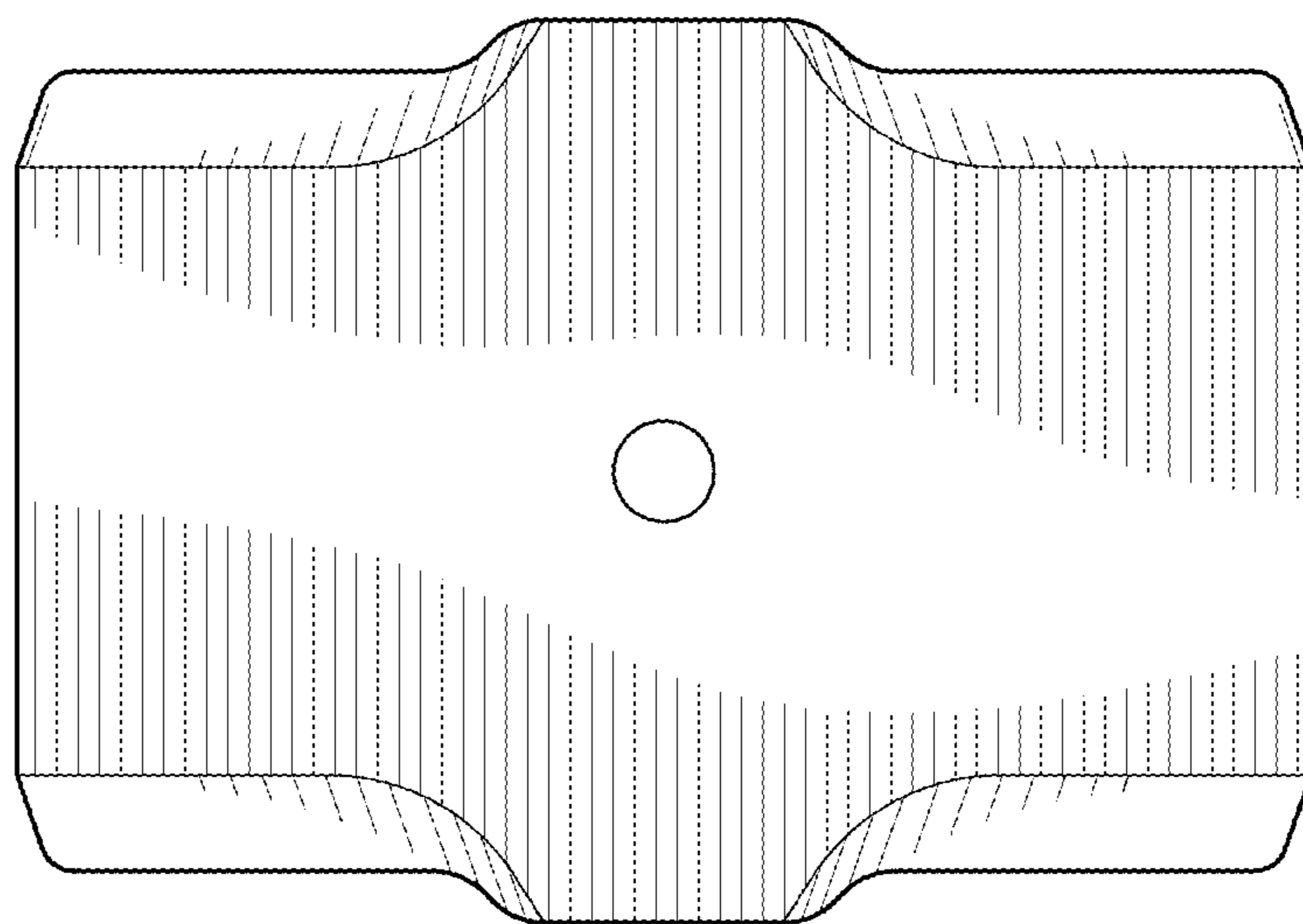


FIG. 3

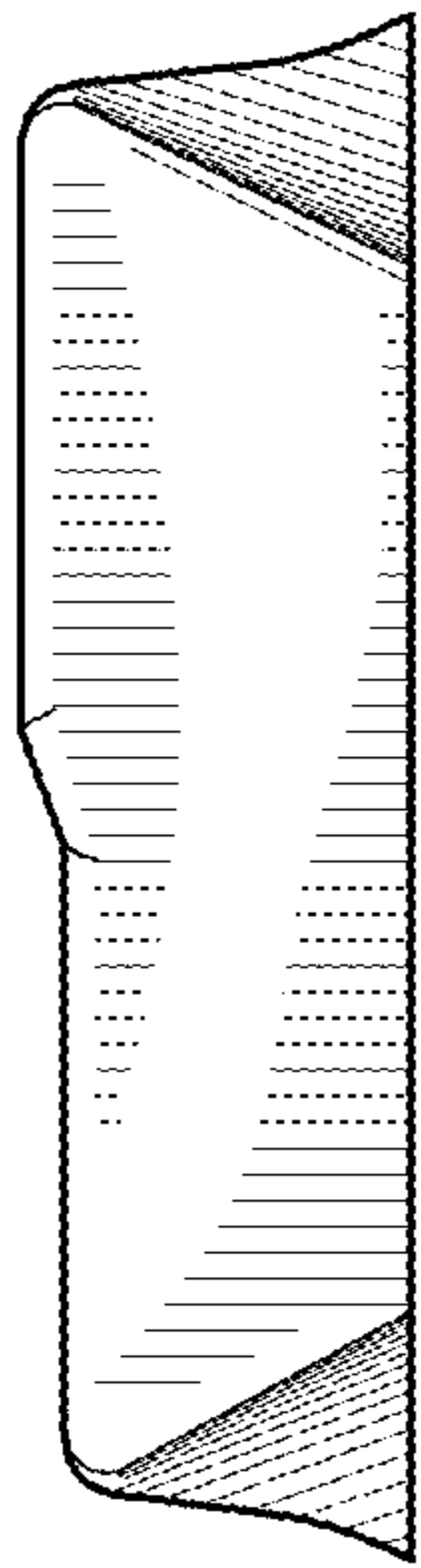


FIG. 4

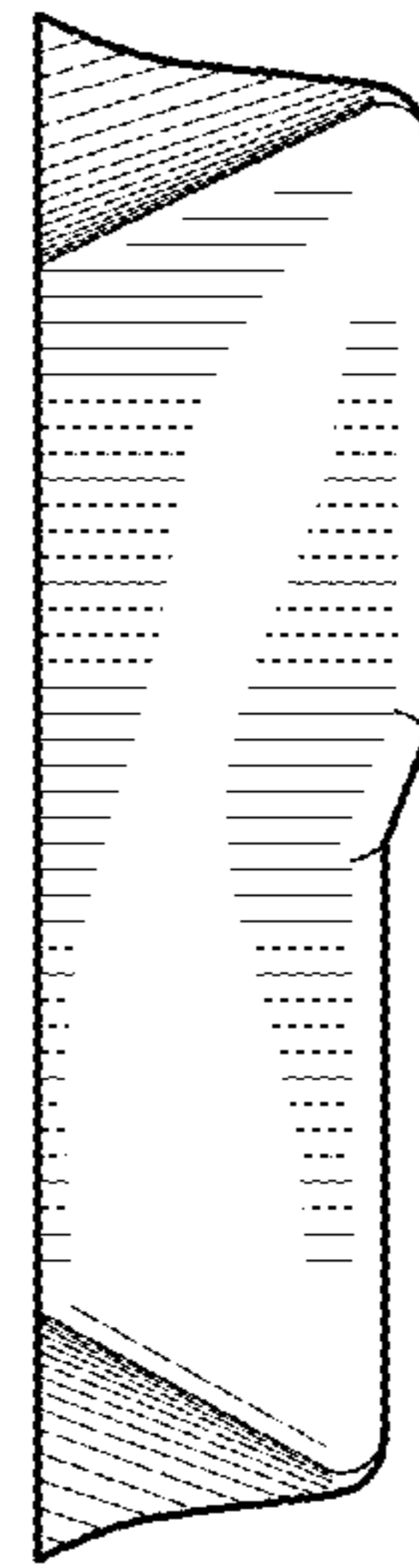


FIG. 5

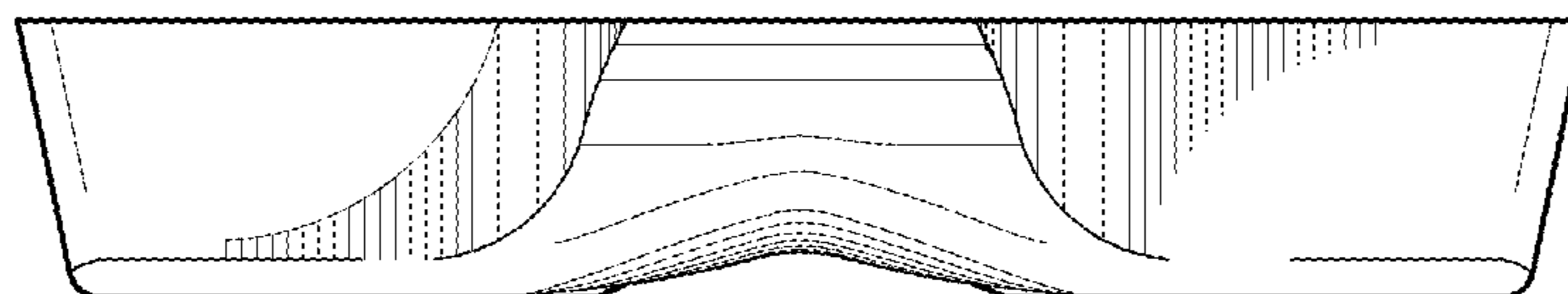


FIG. 6

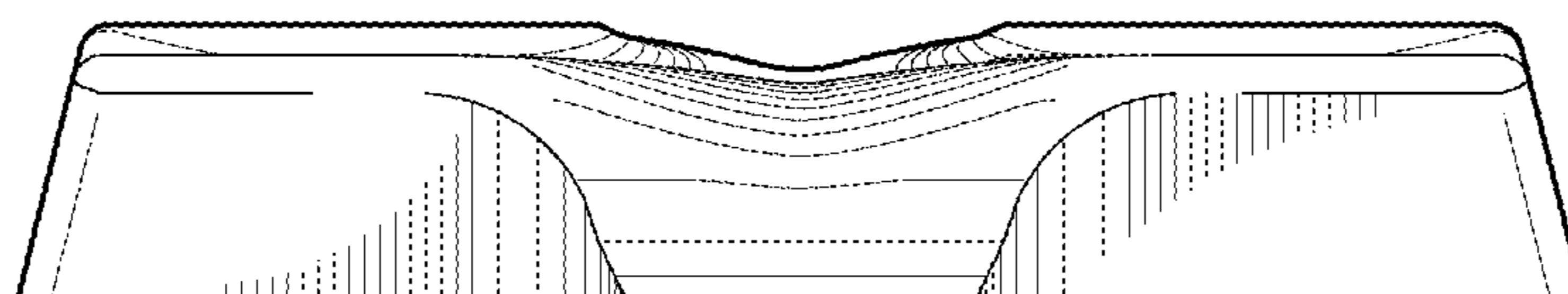


FIG. 7