



US00D874184S

(12) **United States Design Patent**
Chou

(10) **Patent No.:** **US D874,184 S**
(45) **Date of Patent:** **** Feb. 4, 2020**

(54) **ROLLER TUBE FOR A ROLLER BLIND**

(71) Applicant: **Tser Wen Chou**, Yorba Linda, CA (US)

(72) Inventor: **Tser Wen Chou**, Yorba Linda, CA (US)

(**) Term: **15 Years**

(21) Appl. No.: **29/654,267**

(22) Filed: **Jun. 22, 2018**

(51) **LOC (12) Cl.** **06-10**

(52) **U.S. Cl.**
USPC **D6/580**

(58) **Field of Classification Search**
USPC D6/575-581; D8/358; D13/155;
D25/119, 121, 123, 125; D26/138
CPC . A47H 1/02; A47H 1/04; A47H 1/144; A47H
11/06; A47H 2001/042; A47H 2023/003;
A47H 2023/025; A47H 23/00; A47H
23/01; A47H 23/02; A47H 3/02; A47H
3/06; A47H 3/08; A47H 3/10; A47H
5/00; A47H 5/03; A47H 5/032; A47H
5/06; A47H 5/08; E06B 9/17; E06B
2009/2622; E06B 2009/285; E06B 7/28;
E06B 9/24; E06B 9/26; E06B 9/262;
E06B 9/30; E06B 9/302; E06B 9/306;
E06B 9/307; E06B 9/322; E06B 9/323;
E06B 9/324; E06B 9/386; E06B 9/388;
E06B 9/40; E06B 9/42; E06B 9/521;
E06B 9/56; E06B 9/60; E06B 9/78
See application file for complete search history.

8,024,908 B2 * 9/2011 Williams E04H 12/02
52/651.02

D681,992 S * 5/2013 Ng E06B 9/50
D6/580

D825,954 S * 8/2018 Diamond E06B 9/42
D6/580

2004/0129850 A1 * 7/2004 Kirby E06B 9/42
248/266

2005/0028943 A1 * 2/2005 Chang E06B 9/42
160/23.1

2006/0118248 A1 * 6/2006 Anderson E06B 9/262
160/84.04

2006/0243402 A1 * 11/2006 Chang E06B 9/40
160/321

2008/0121353 A1 * 5/2008 Detmer E06B 9/72
160/266

2008/0302489 A1 * 12/2008 Wong E06B 9/42
160/168.1 V

(Continued)

Primary Examiner — Kevin K Rudzinski
Assistant Examiner — Clare Ann Gannon
(74) *Attorney, Agent, or Firm* — Guice Patents PLLC

(57) **CLAIM**

The ornamental design for a roller tube for a roller blind, as shown and described.

DESCRIPTION

FIG. 1 is a perspective view of a roller tube for a roller blind;
FIG. 2 is a front view thereof;
FIG. 3 is a rear view thereof;
FIG. 4 is a left side view thereof;
FIG. 5 is a right side view thereof;
FIG. 6 is a top view thereof; and,
FIG. 7 is a bottom view thereof.
The claim is shown with a symbolic break line at the rear of the article. Any portion of the article not shown forms no part of the claimed design.

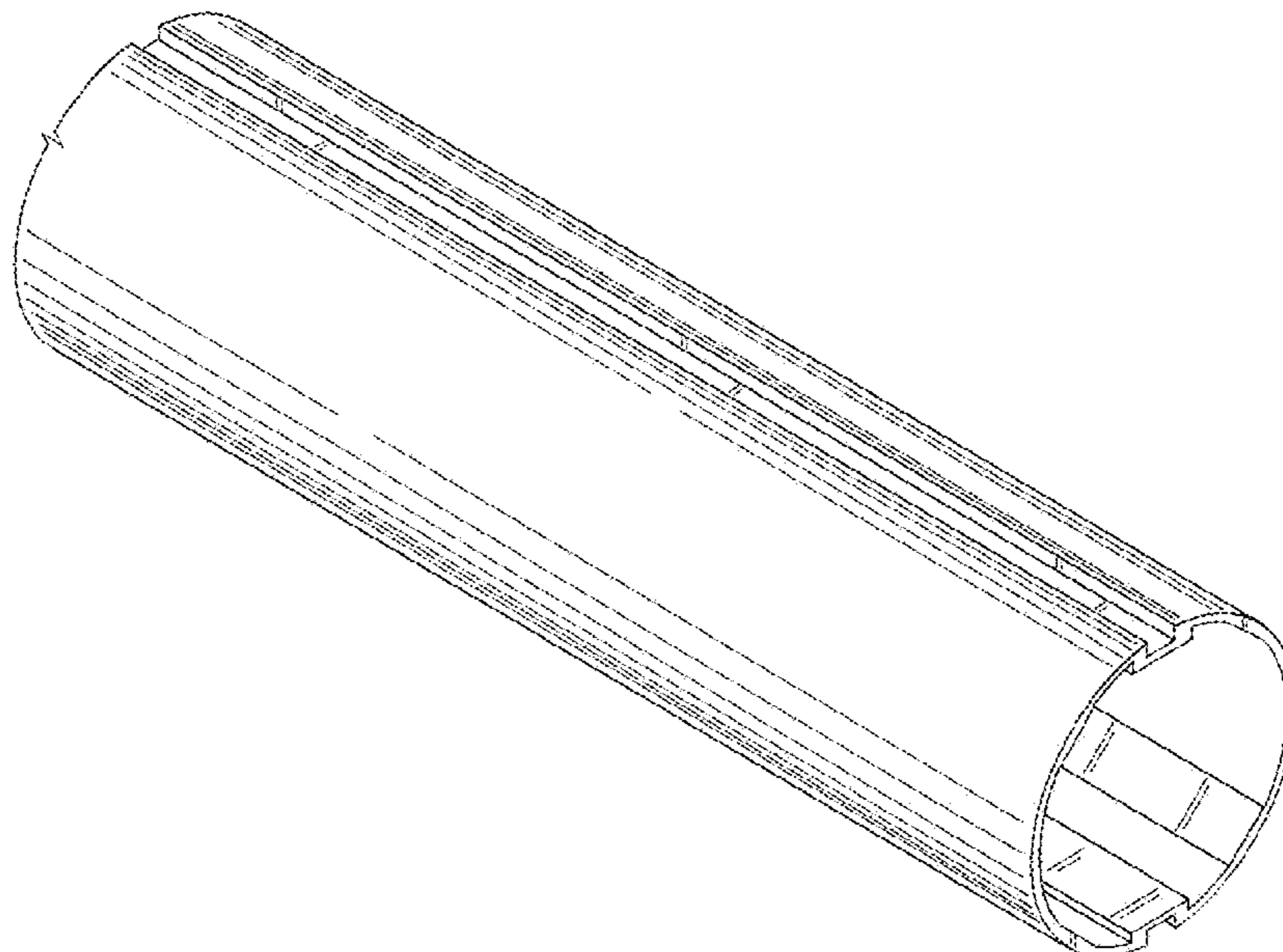
1 Claim, 4 Drawing Sheets

(56) **References Cited**

U.S. PATENT DOCUMENTS

4,006,770 A * 2/1977 Ferguson E06B 9/17
160/263

4,751,953 A * 6/1988 Appel E06B 9/50
160/313



(56)

References Cited

U.S. PATENT DOCUMENTS

2010/0101740 A1* 4/2010 Licciardi Di Stefano
E06B 9/44
160/309
2010/0258255 A1* 10/2010 Lee E06B 9/42
160/319
2011/0049071 A1* 3/2011 Hart E06B 9/48
211/124
2015/0027059 A1* 1/2015 Lu E06B 9/582
49/70
2015/0184455 A1* 7/2015 Perkowitz E06B 9/262
160/319
2016/0237743 A1* 8/2016 Holt E06B 9/262
2017/0362890 A1* 12/2017 Huang E06B 9/303
2018/0058142 A1* 3/2018 Wang E06B 9/322
2018/0216404 A1* 8/2018 Fisher E06B 9/42
2018/0328108 A1* 11/2018 Chou E06B 9/42
2019/0136617 A1* 5/2019 Kao E06B 9/60

* cited by examiner

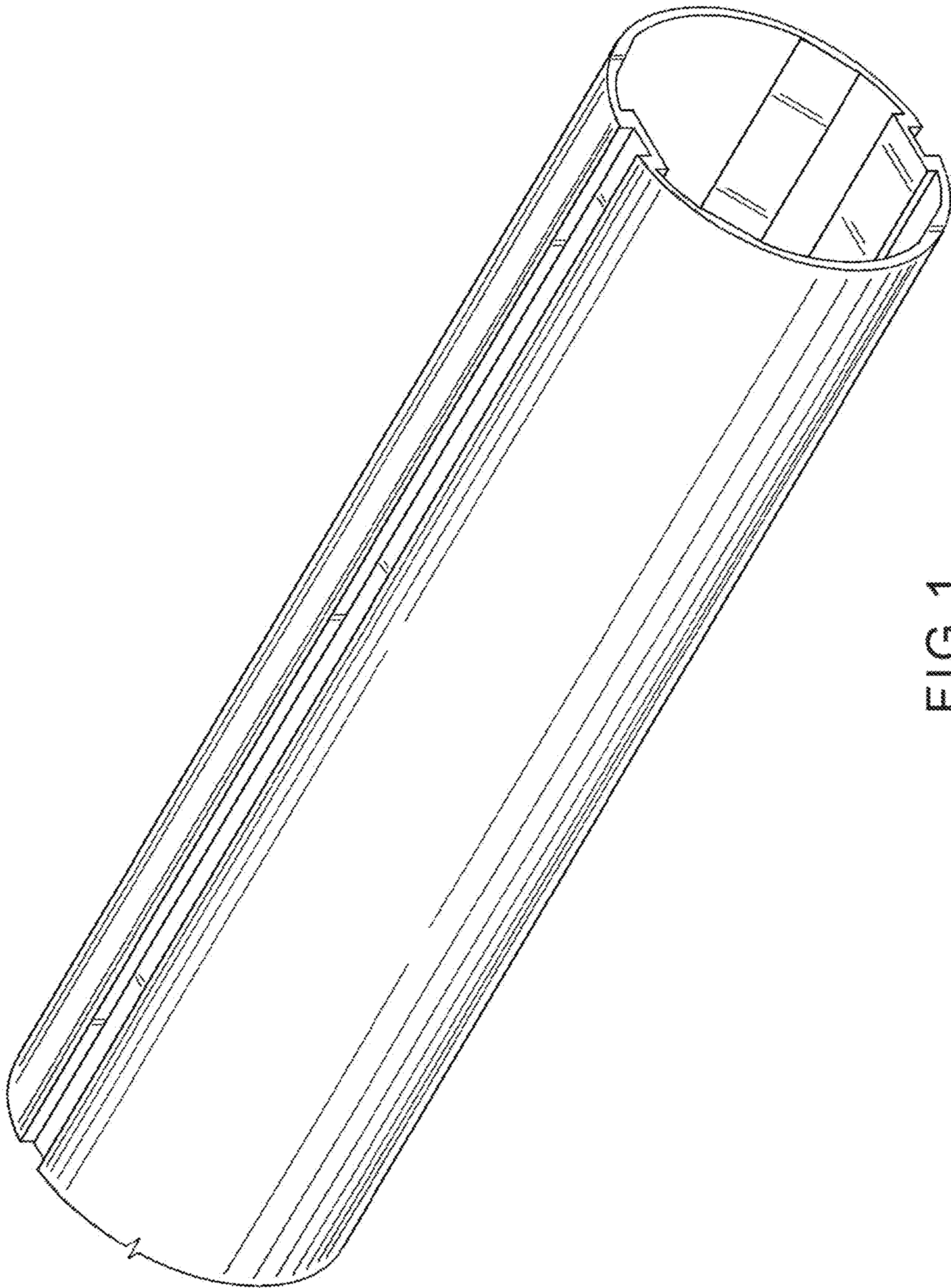


FIG. 1

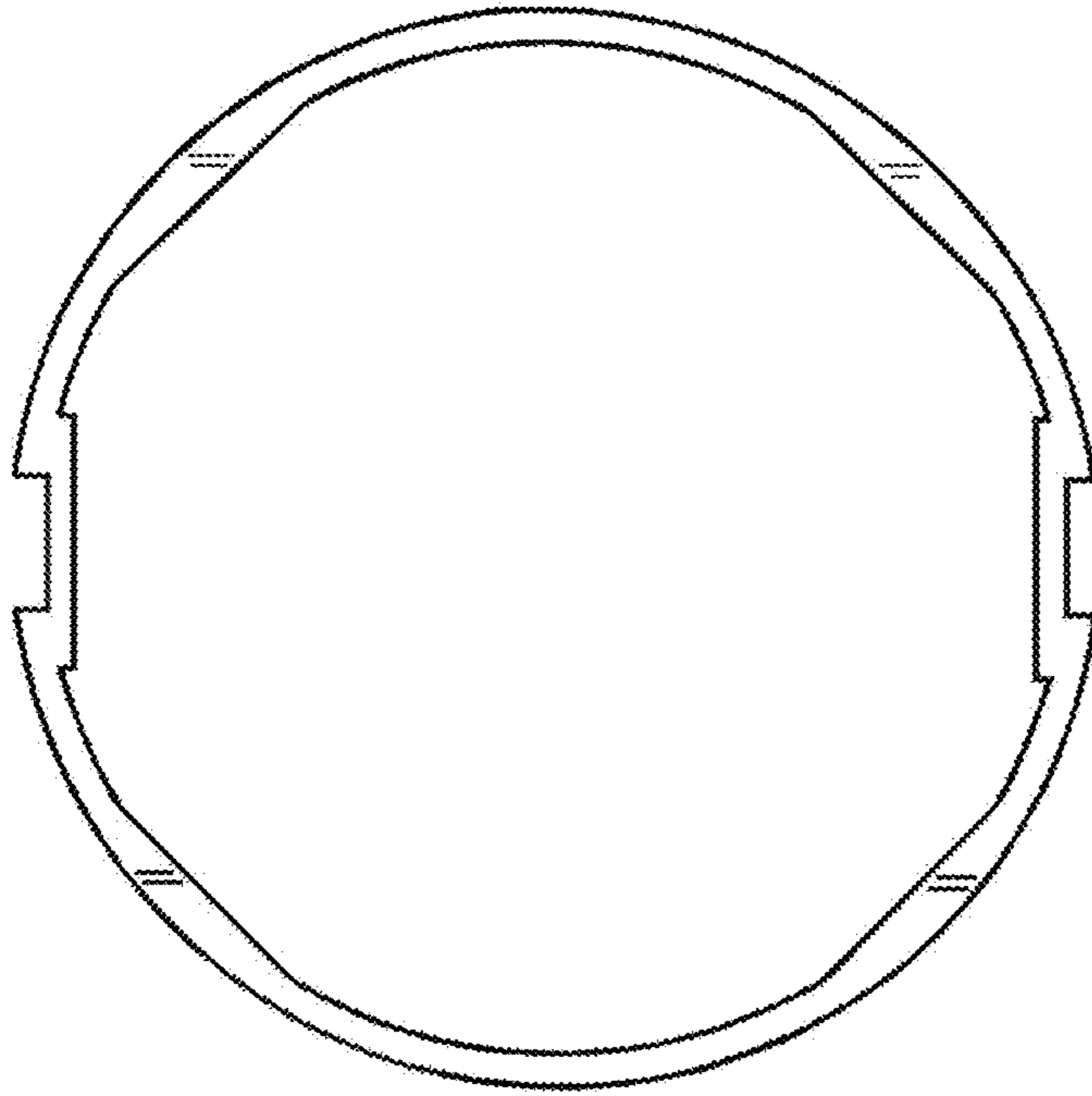


FIG. 3

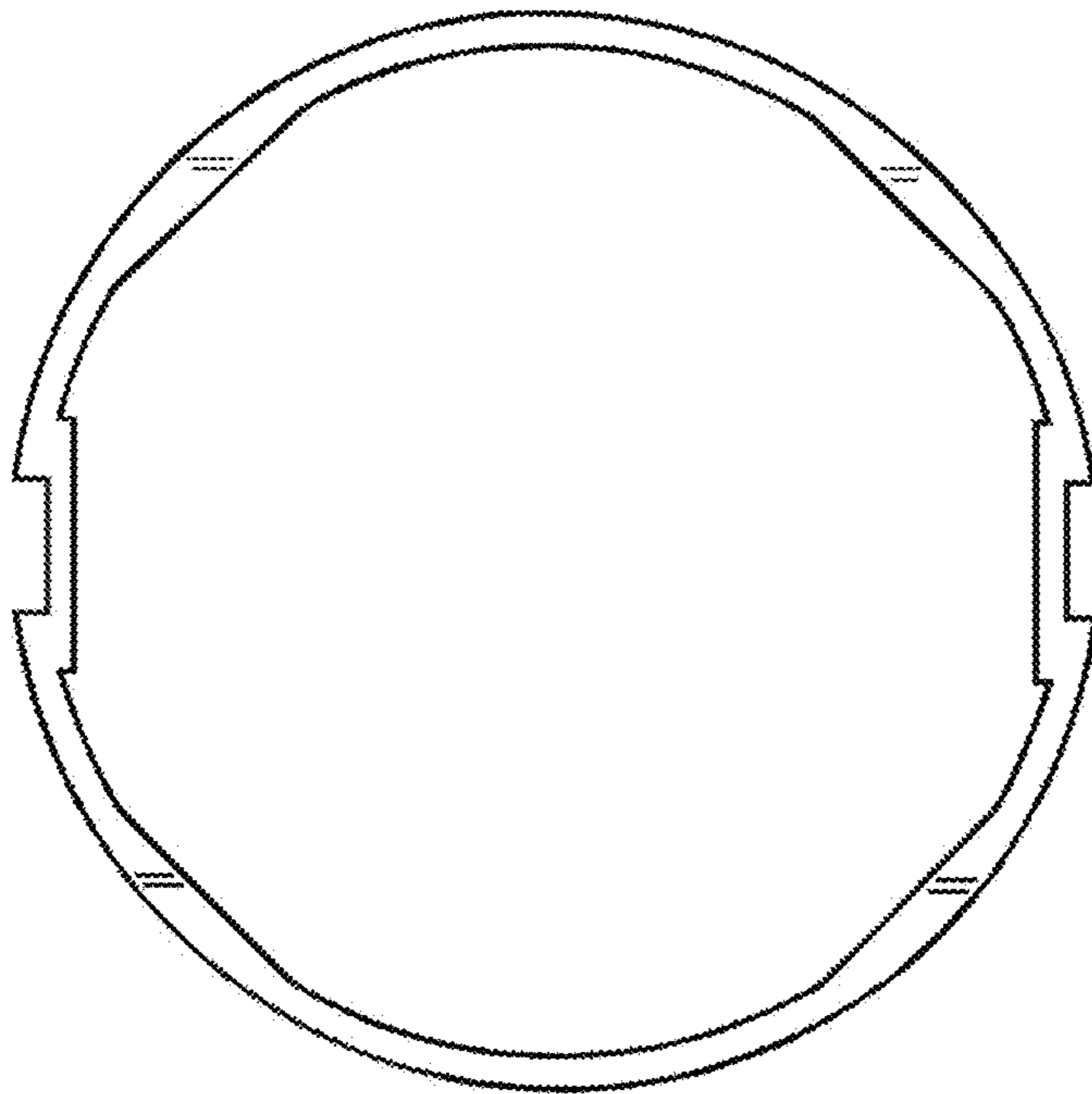


FIG. 2

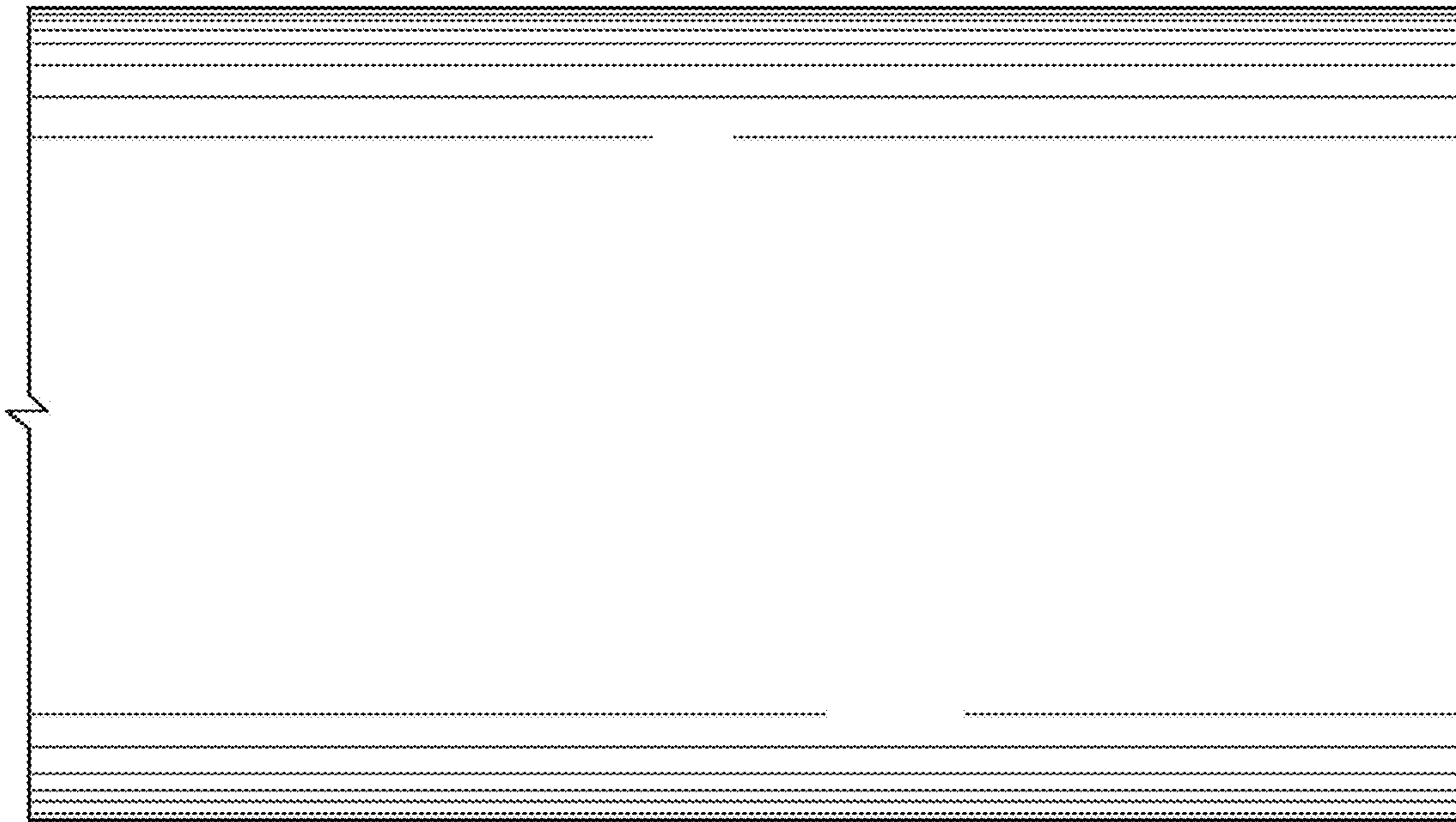


FIG. 4

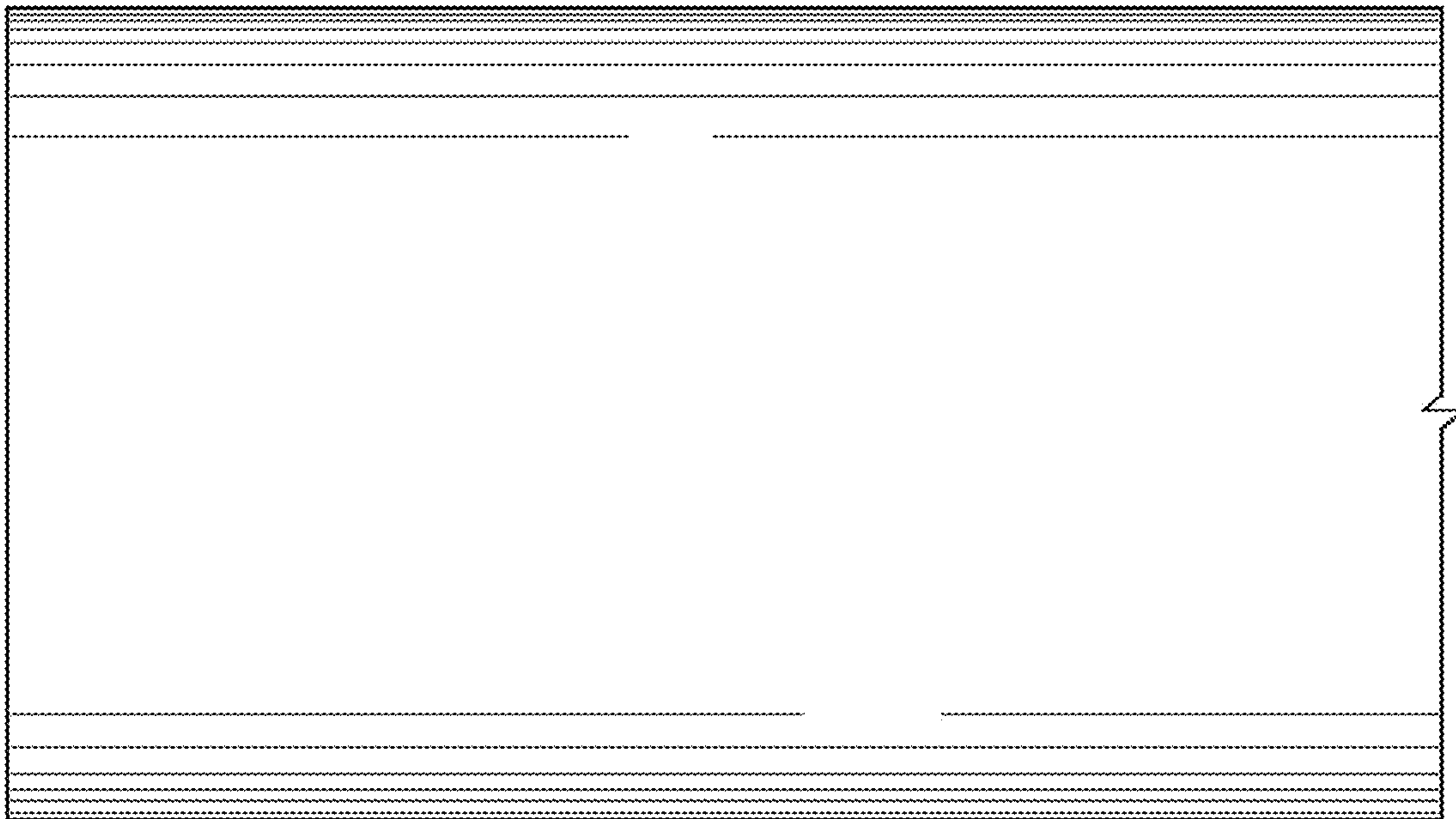


FIG. 5

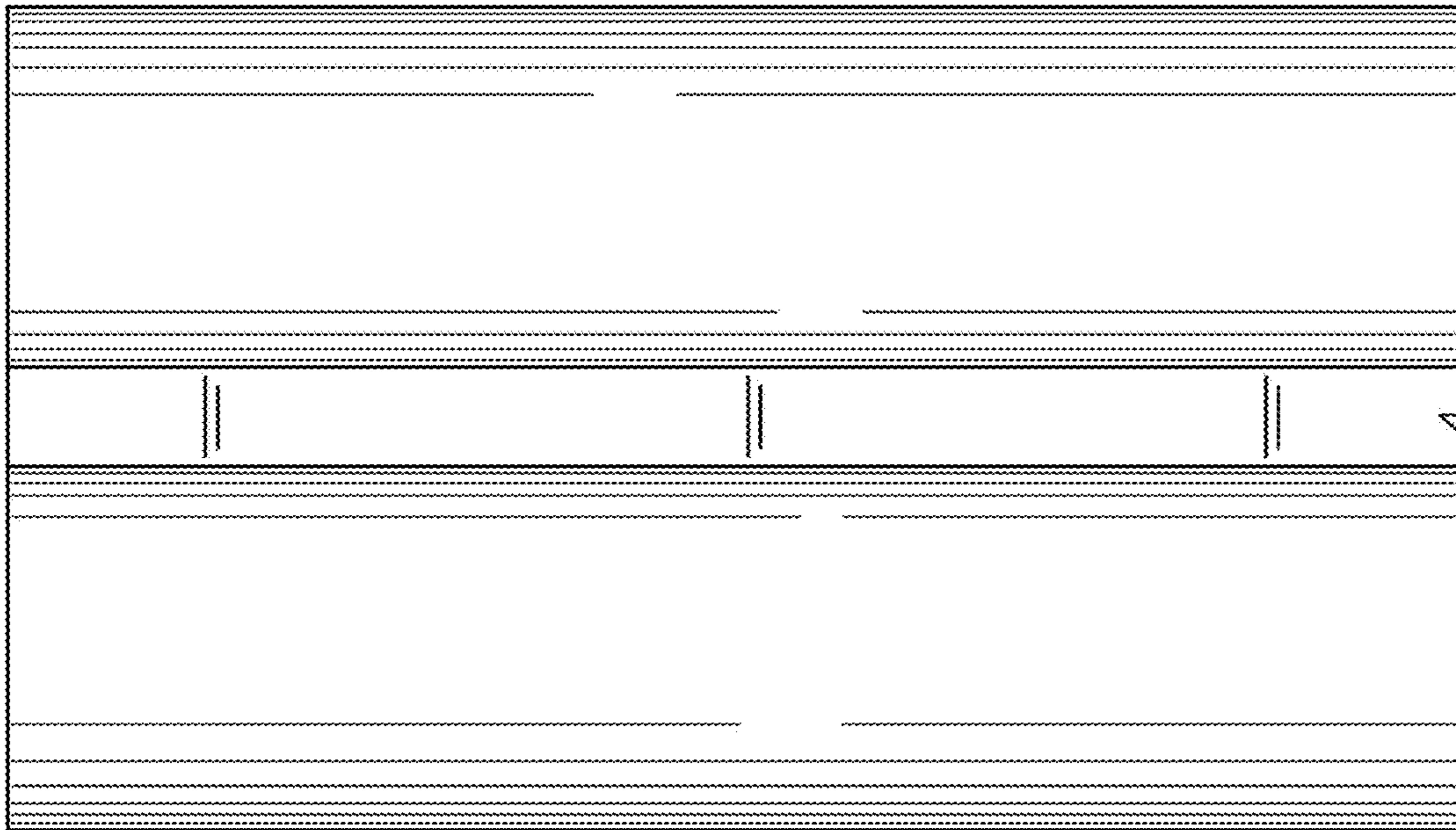


FIG. 7

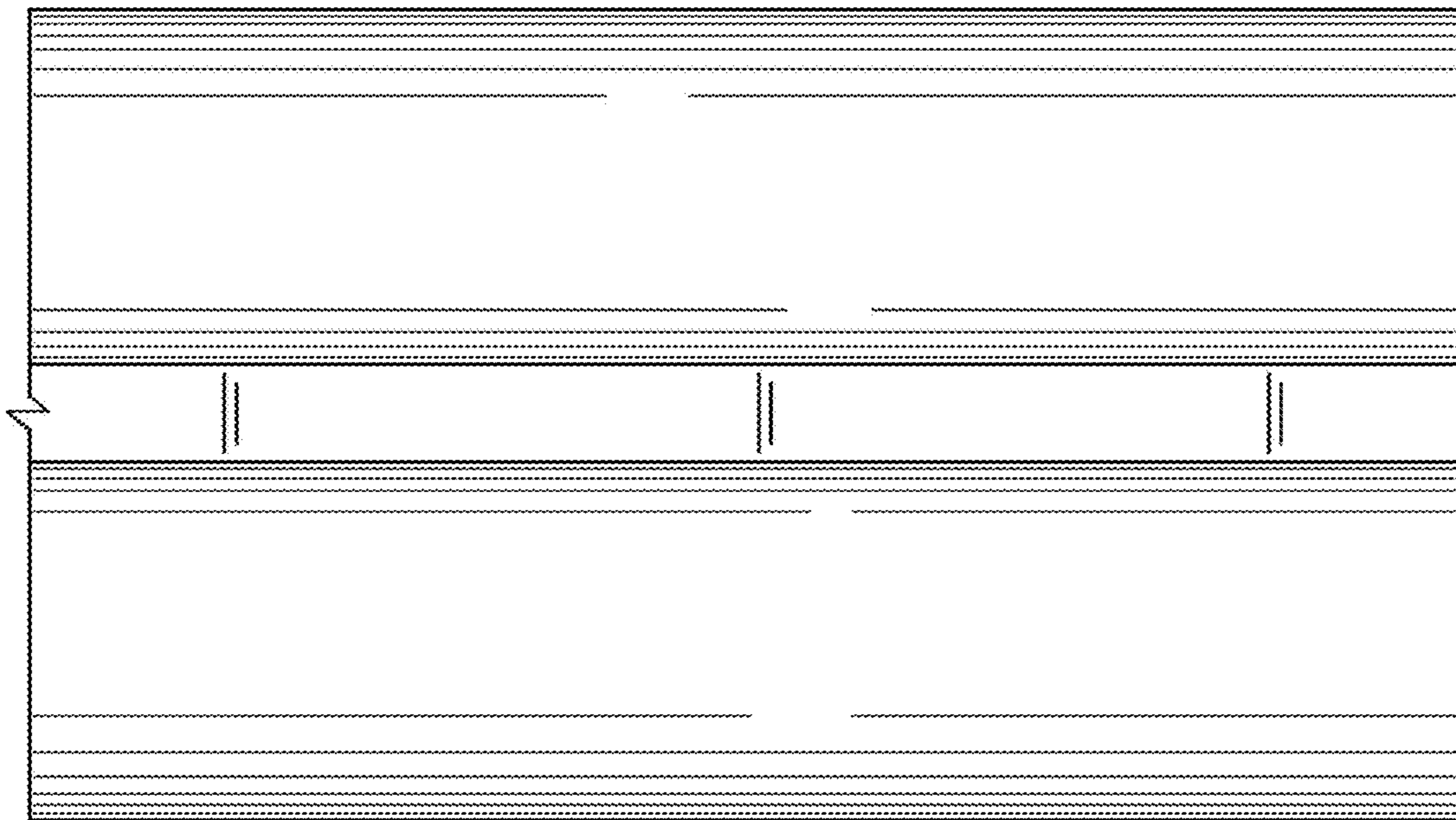


FIG. 6