

US00D874183S

(12) **United States Design Patent** (10) **Patent No.:** **US D874,183 S**  
**Pejic** (45) **Date of Patent:** **\*\* \*Feb. 4, 2020**

(54) **BRACKET COVER APPLIED TO A WINDOW TREATMENT**

(71) Applicant: **Lutron Technology Company LL**,  
Coopersburg, PA (US)

(72) Inventor: **Vladislav Pejic**, Allentown, PA (US)

(73) Assignee: **Lutron Technology Company LLC**,  
Coopersburg, PA (US)

(\*) Notice: This patent is subject to a terminal disclaimer.

(\*\*) Term: **15 Years**

(21) Appl. No.: **29/604,680**

(22) Filed: **May 19, 2017**

(51) **LOC (12) Cl.** ..... **06-10**

(52) **U.S. Cl.**  
USPC ..... **D6/580**

(58) **Field of Classification Search**  
USPC ..... D6/575-581; D8/358; D13/155;  
D25/119, 121, 123, 125; D26/138  
(Continued)

(56) **References Cited**

**U.S. PATENT DOCUMENTS**

846,089 A \* 3/1907 Cannon ..... E06B 9/42  
160/259  
2,031,698 A \* 2/1936 Fanzoi ..... A47B 65/00  
211/43

(Continued)

**FOREIGN PATENT DOCUMENTS**

BE 200900404 9/2011  
DE G 89 14 725.1 8/1990

(Continued)

**OTHER PUBLICATIONS**

Spectrum White Plastic Wall Mount Folding Paper Towel Holder.  
Amazon.com. Oct. 2, 2001 . . . Accessed on Jun. 16, 2019. (Year:  
2001).\*

(Continued)

*Primary Examiner* — Kevin K Rudzinski

*Assistant Examiner* — Clare Ann Gannon

(74) *Attorney, Agent, or Firm* — Saidman DesignLaw  
Group, LLC

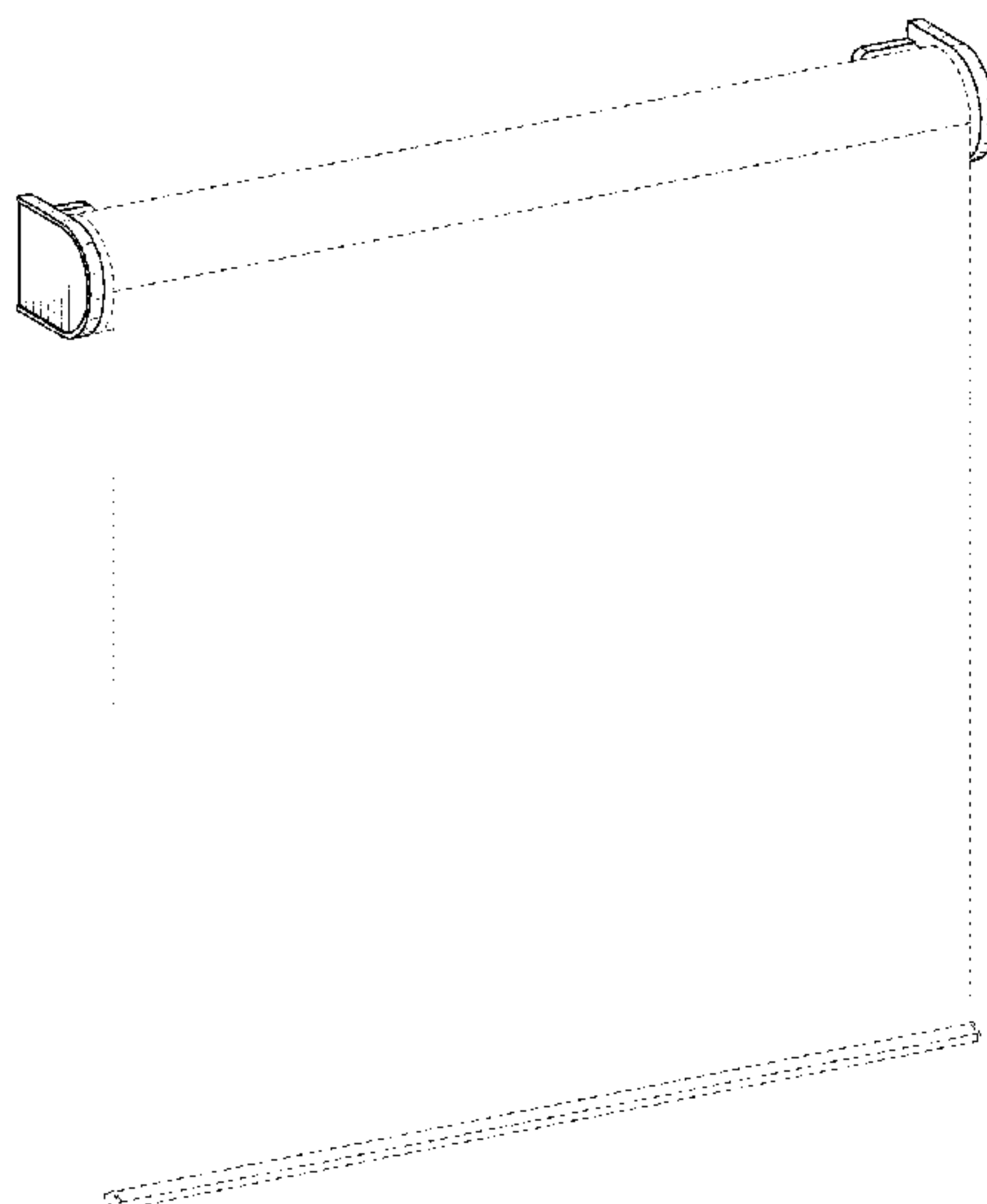
(57) **CLAIM**

The ornamental design for a bracket cover applied to a  
window treatment, as shown and described.

**DESCRIPTION**

FIG. 1 is a perspective view of a bracket cover applied to a  
window treatment showing my new design;  
FIG. 2 is a perspective view thereof in an alternate envi-  
ronment;  
FIG. 3 is a front view thereof;  
FIG. 4 is a rear view thereof;  
FIG. 5 is a top view thereof;  
FIG. 6 is a bottom view thereof;  
FIG. 7 is a left side view thereof;  
FIG. 8 is a right side view;  
FIG. 9 is a perspective view thereof shown in a different  
position;  
FIG. 10 is a perspective view thereof in an alternate envi-  
ronment;  
FIG. 11 is a front view thereof;  
FIG. 12 is a rear view thereof;  
FIG. 13 is a top view thereof;  
FIG. 14 is a bottom view thereof;  
FIG. 15 is a left side view thereof; and,  
FIG. 16 is a right side view thereof.  
The broken lines illustrate structures that form not part of the  
claimed design.  
The drawings include surface shading which represents  
contour and not surface ornamentation.

**1 Claim, 8 Drawing Sheets**



(58) **Field of Classification Search**

CPC . A47H 1/02; A47H 1/04; A47H 1/144; A47H 11/06; A47H 2001/042; A47H 2023/003; A47H 2023/025; A47H 23/00; A47H 23/01; A47H 23/02; A47H 3/02; A47H 3/06; A47H 3/08; A47H 3/10; A47H 5/00; A47H 5/03; A47H 5/032; A47H 5/06; A47H 5/08; E06B 9/17; E06B 2009/2622; E06B 2009/285; E06B 7/28; E06B 9/24; E06B 9/26; E06B 9/262; E06B 9/30; E06B 9/302; E06B 9/306; E06B 9/307; E06B 9/322; E06B 9/323; E06B 9/324; E06B 9/386; E06B 9/388; E06B 9/40; E06B 9/42; E06B 9/521; E06B 9/56; E06B 9/60; E06B 9/78

See application file for complete search history.

(56) **References Cited**

U.S. PATENT DOCUMENTS

2,108,939	A *	2/1938	Lewis	.....	E06B 9/307 160/176.1 R
D161,199	S	12/1950	Perelman		
D182,161	S	2/1958	Bulman		
4,368,771	A *	1/1983	Hopper	.....	E06B 9/17 160/121.1
4,771,966	A	9/1988	Anderson		
D322,211	S *	12/1991	Gary	.....	D8/373
D327,192	S	6/1992	Geuvjehizian		
D336,580	S *	6/1993	White	.....	D6/518
D355,094	S *	2/1995	Josephson	.....	E06B 9/42 D6/577
5,651,487	A *	7/1997	Hansen	.....	A47K 10/38 225/106
7,207,371	B2	4/2007	Hsu		
D547,985	S	8/2007	Kubota		
7,267,311	B2	9/2007	Jung		
7,849,907	B2	12/2010	Jang		
D632,118	S	2/2011	Clarke		
7,931,069	B2	4/2011	Cannaverde et al.		
D669,771	S	10/2012	Geiger		
D712,727	S	9/2014	Geiger		
8,967,568	B2	3/2015	Wills et al.		
D731,876	S	6/2015	Di Stefano		
9,045,939	B2	6/2015	Blair et al.		
D733,536	S	7/2015	Di Stefano		
9,237,821	B2	1/2016	Geiger		
D758,827	S	6/2016	Grasselli et al.		
9,587,429	B2	3/2017	Cheng		
D791,581	S	7/2017	Lin		
9,840,870	B2	12/2017	Lu et al.		
D817,660	S *	5/2018	Raiti	.....	D6/580
9,988,839	B2	6/2018	Geiger		
10,309,461	B2 *	6/2019	Ng	.....	E06B 9/42
2006/0118248	A1 *	6/2006	Anderson	.....	E06B 9/262 160/84.04
2007/0175004	A1 *	8/2007	Chien	.....	E06B 9/388 24/163 R
2009/0250177	A1 *	10/2009	Byeon	.....	E06B 9/40 160/323.1
2009/0283226	A1	11/2009	Cheng		
2011/0067820	A1 *	3/2011	Hsu	.....	E06B 9/262 160/84.03
2011/0139382	A1	6/2011	Daniels		
2011/0186246	A1 *	8/2011	Lin	.....	E06B 9/56 160/309
2012/0043029	A1 *	2/2012	Gaskill	.....	E06B 9/42 160/121.1
2012/0255686	A1 *	10/2012	Huang	.....	E06B 9/42 160/293.1
2013/0255894	A1 *	10/2013	Kim	.....	E06B 9/56 160/322
2014/0069595	A1	3/2014	Chen		

2014/0182793	A1 *	7/2014	Byun	.....	E06B 9/42 160/84.06
2014/0231032	A1	8/2014	Blair		
2014/0251558	A1 *	9/2014	Chou	.....	E06B 9/42 160/323.1
2014/0262068	A1 *	9/2014	Buccola, Jr.	.....	E06B 9/322 160/120
2014/0374036	A1 *	12/2014	Chen	.....	E06B 9/60 160/313
2015/0184454	A1 *	7/2015	Strand	.....	E06B 9/324 160/178.2
2016/0083999	A1 *	3/2016	Chen	.....	E06B 9/42 160/315
2016/0130863	A1 *	5/2016	Cheng	.....	E06B 9/40 160/179
2016/0348428	A1 *	12/2016	Cheng	.....	E06B 9/40
2017/0096855	A1 *	4/2017	Chen	.....	E06B 9/42
2018/0023340	A1 *	1/2018	Goldberg	.....	E06B 9/56
2018/0112462	A1 *	4/2018	Chen	.....	E06B 9/42
2018/0179812	A1 *	6/2018	Dubina	.....	A47K 10/38 225/106
2019/0017321	A1 *	1/2019	Chen	.....	E06B 9/68 D6/518

FOREIGN PATENT DOCUMENTS

DE	20	2012 007 904	U1	1/2014
EP		2 354 430	A2	8/2011
JP		2013-14931	A	1/2013

OTHER PUBLICATIONS

Aura Shading by Tillys Interiors Ltd . . . Accessed on Jun. 16, 2019. (Year: 2019).\*

Ambio Roller Shades by Altex Window Fashions . . . Accessed on Jun. 14, 2019. (Year: 2019).\*

Coolaroo, Exterior Roller Sun Shade Installation Instructions, Apr. 2012, 12 pages.

Coolaroo, Cordless Sun Shade Installation Instructions, Jun. 2013, 12 pages.

U.S. Appl. No. 29/602,208, filed Apr. 28, 2017 (unpublished).

Coulisse, Absolute Roller Blind 2.0 Brochure, Aug. 2015, 124 pages.

Lovable Products From Coolaroo for Shade Sails or exteri, posted Jul. 27, 2017, [retrieved Mar. 27, 2018]. Retrieved from Internet, <URL: <http://www.marccharlessteakhouse.com/lovable-products-from-coolaroo-for-shade-sails-or-exterior-blinds-or-umbrellas-or-pet-beds-ideas/coolaroo-material-coolaroo-sun-shades-coolaroo/>>.

How to Remove Coolaroo Exterior Sun Shades, posted Aug. 30, 2013, [retrieved Mar. 27, 2018]. Retrieved from Internet, <URL: <https://www.youtube.com/watch?v=8GFJ2UY3fVI>>.

Roller Shade & Blackouts Installation, posted unknown, [retrieved Mar. 27, 2018]. Retrieved from Internet, <URL: <http://www.theshadedesigners.com/how-to-install/installation-rollershades-blackouts/>>.

Coolaroo Exterior Sun Shade Idle End Unit, posted unknown, [retrieved Mar. 27, 2018]. Retrieved from Internet, <URL: <https://wholesaleblindparts.com/products/copy-of-coolaroo-exterior-sun-shade-cordless-crank-kit>>.

Somfy Systems, Inc., Motor Catalog, Dec. 2003 (78 pages).

Lutron Electronics Co., Inc., Sivoia QS Roller 64 Shades Specification Submittal, 2007 (16 pages).

Lutron Electronics Co., Inc., Sivoia QED Roller 20 Shades Product Specification, 2008 (14 pages).

The Shade Store Blog, "Go for the Gold, Silver, or Bronze Window Treatment Hardware", posted Aug. 1, 2012 [retrieved Aug. 21, 2019]. Retrieved from Internet, <URL: <https://www.theshadestore.com/blog/go-for-the-gold-silver-or-bronze-window-treatment-hardware/>>.

The Shade Store Blog, "How to Hang Roller Shades: Regular or Reverse Roll", posted Sep. 19, 2016 [retrieved Aug. 21, 2019]. Retrieved from Internet, <URL: <https://www.theshadestore.com/blog/how-to-hang-roller-shades/>>.

(56)

**References Cited**

OTHER PUBLICATIONS

*Geigtech East Bay LLC v. Lutron Electronics Co., Inc.*, U.S. District Court for the Southern District of New York, Complaint (including Exhibits A & B), Case No. 1:18-cv-05290-CM, filed Jun. 12, 2018, 97 pages.

\* cited by examiner



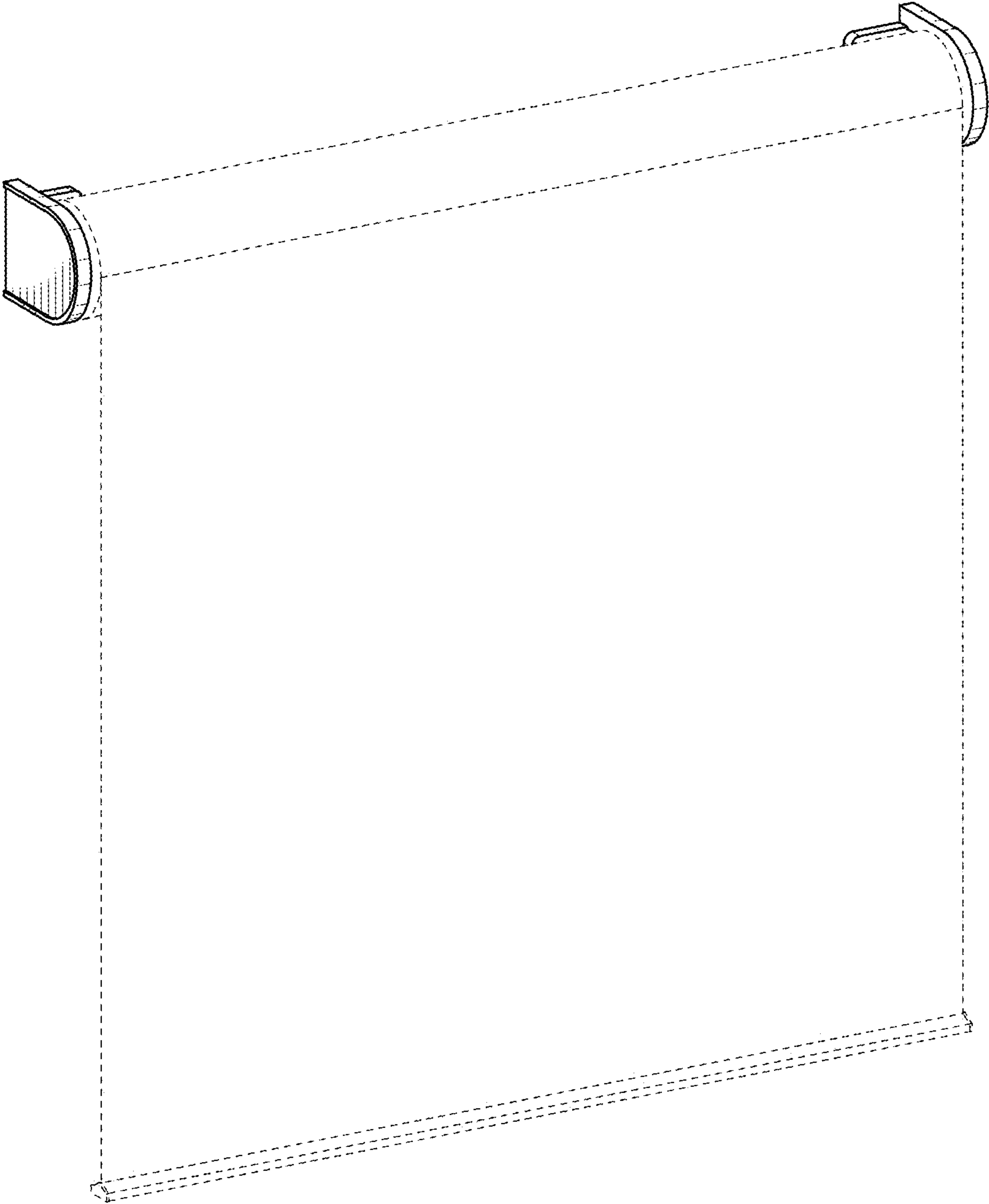


FIG. 1

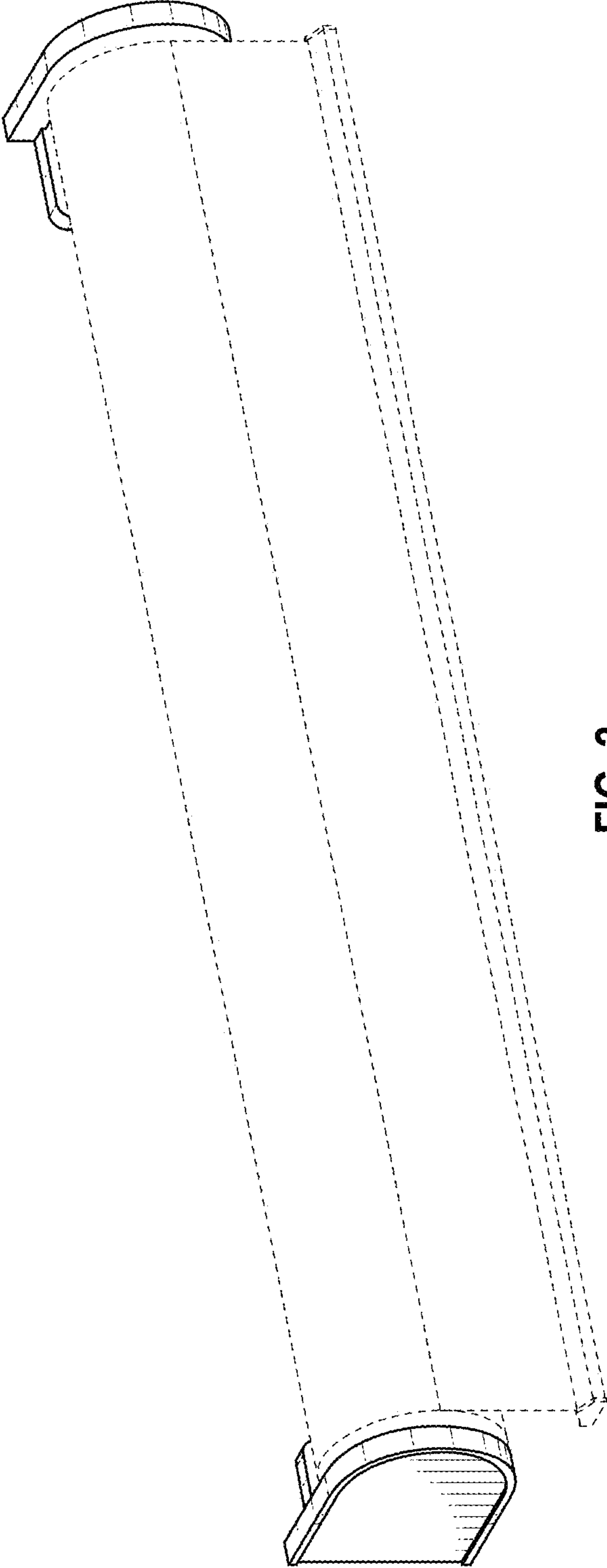


FIG. 2

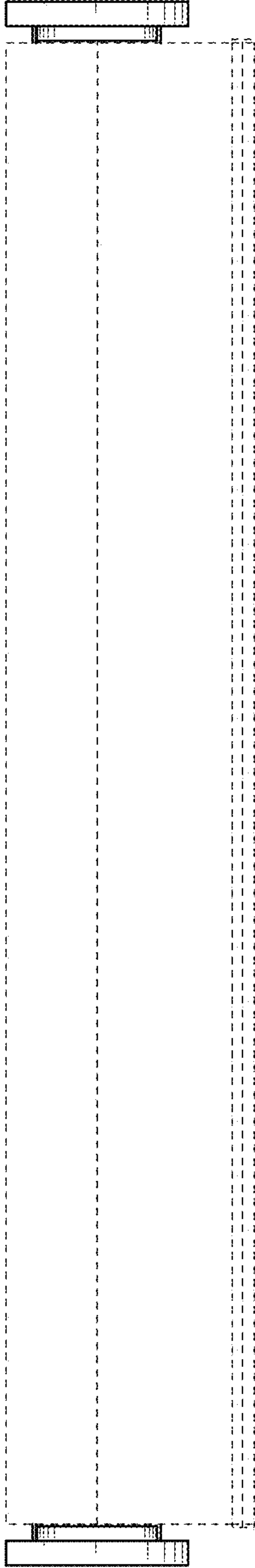


FIG. 3

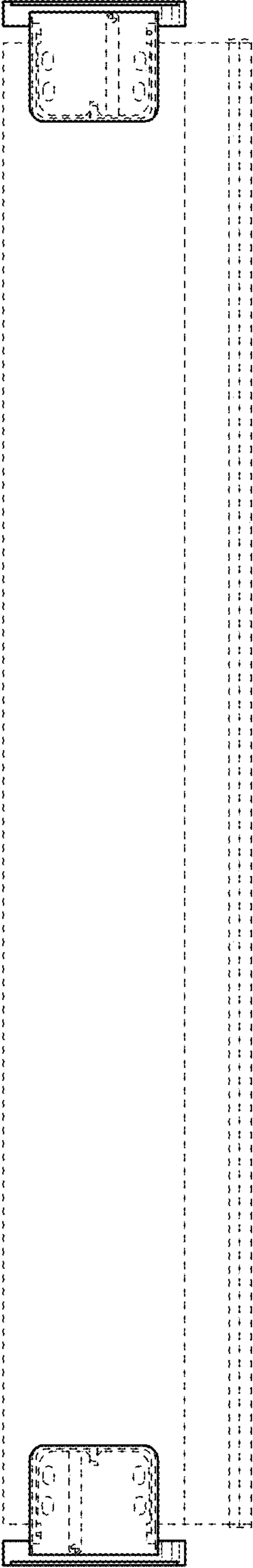


FIG. 4

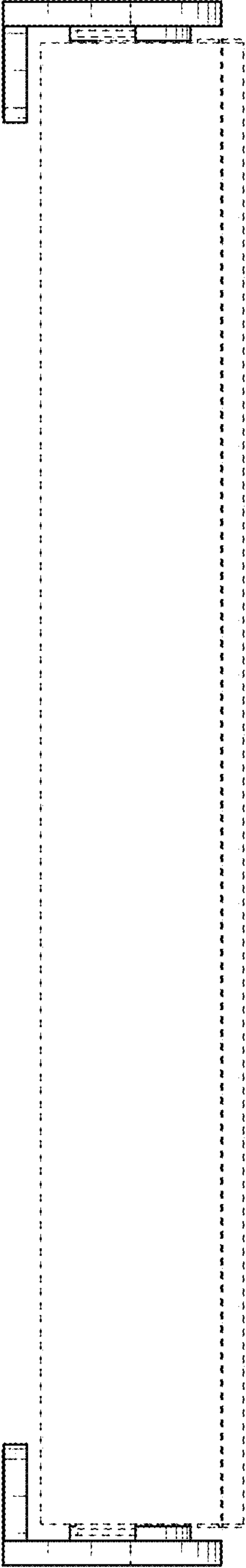


FIG. 5

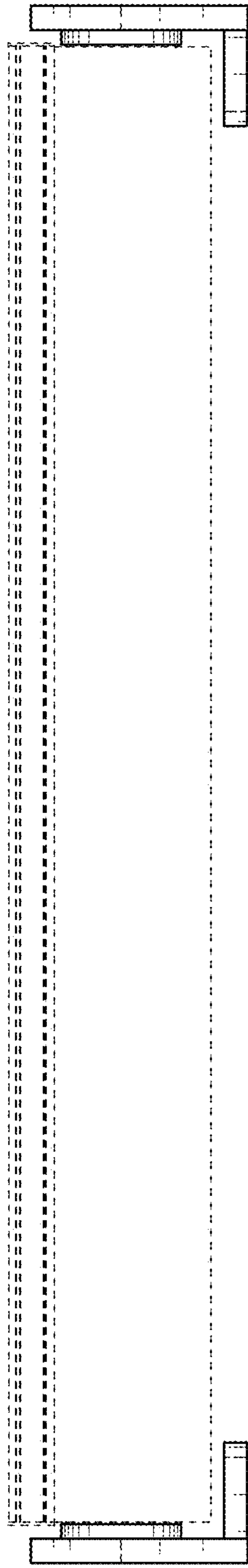


FIG. 6

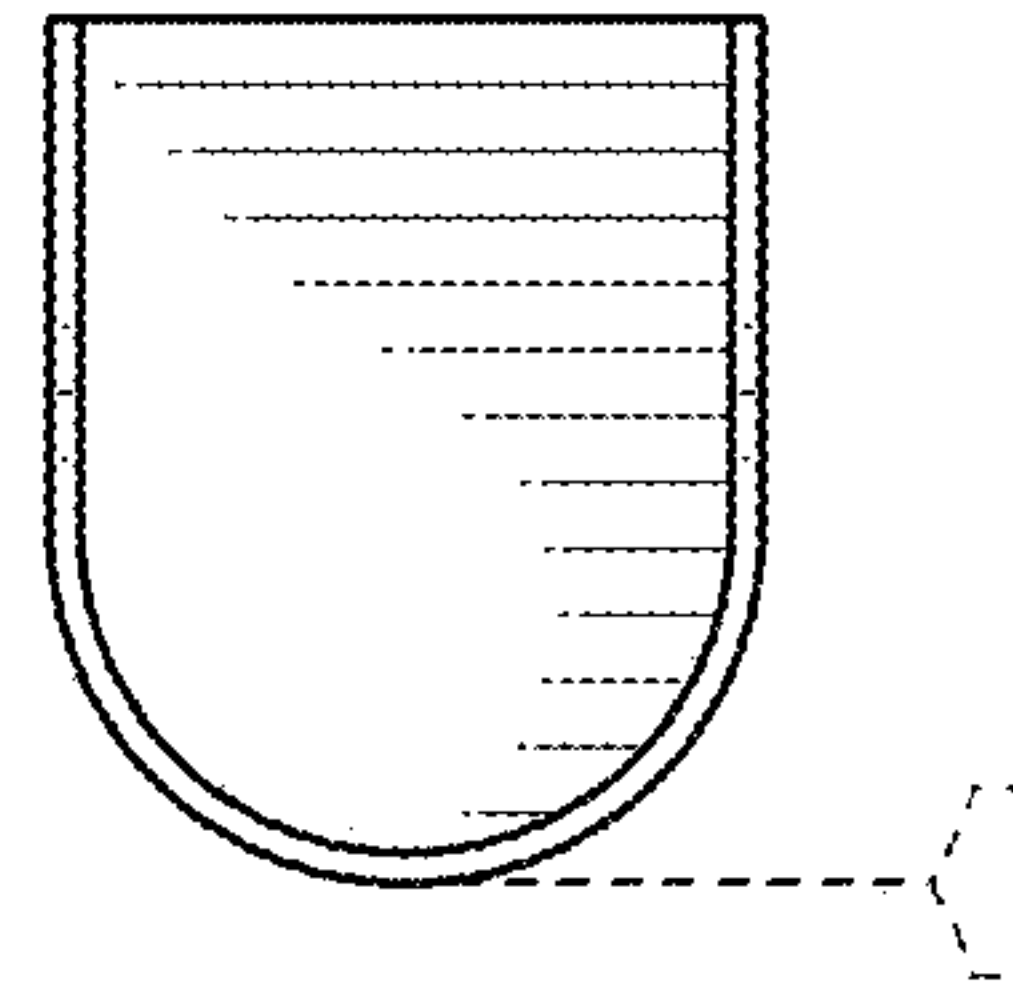


FIG. 8

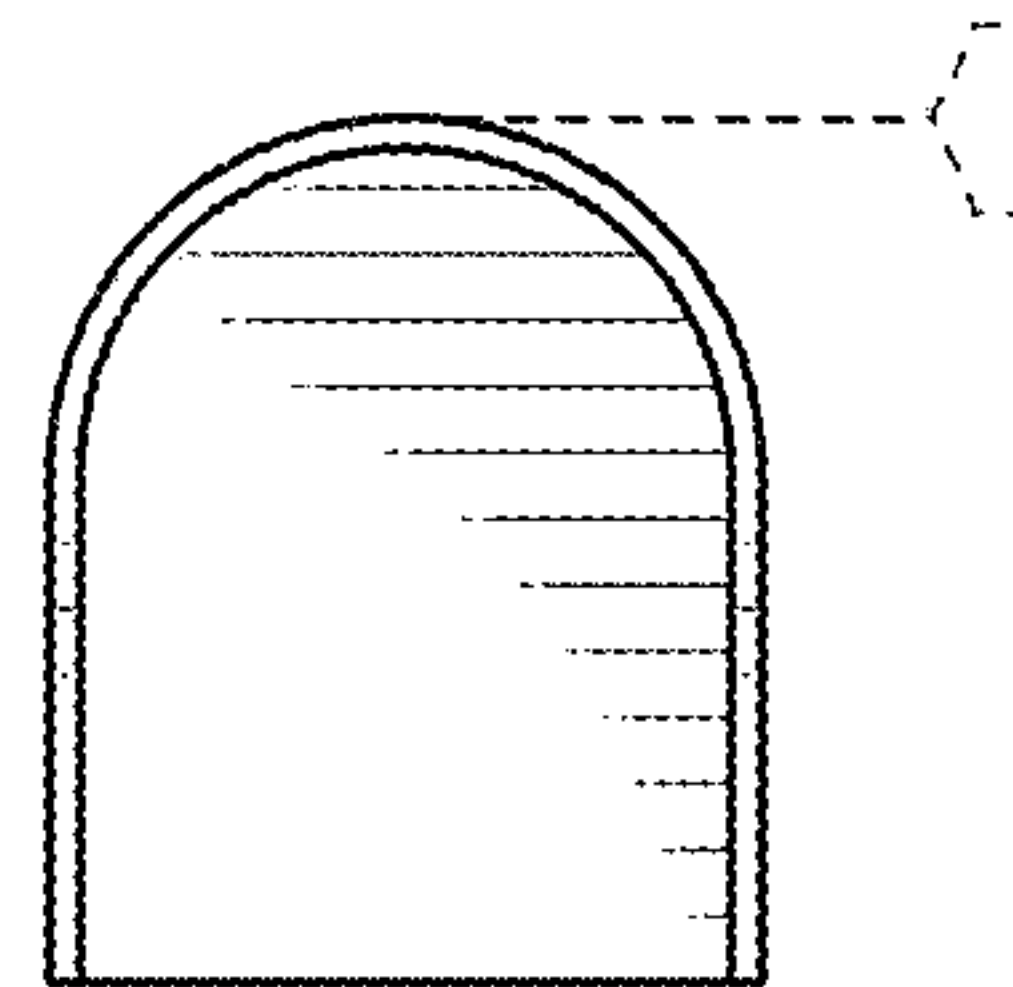


FIG. 7

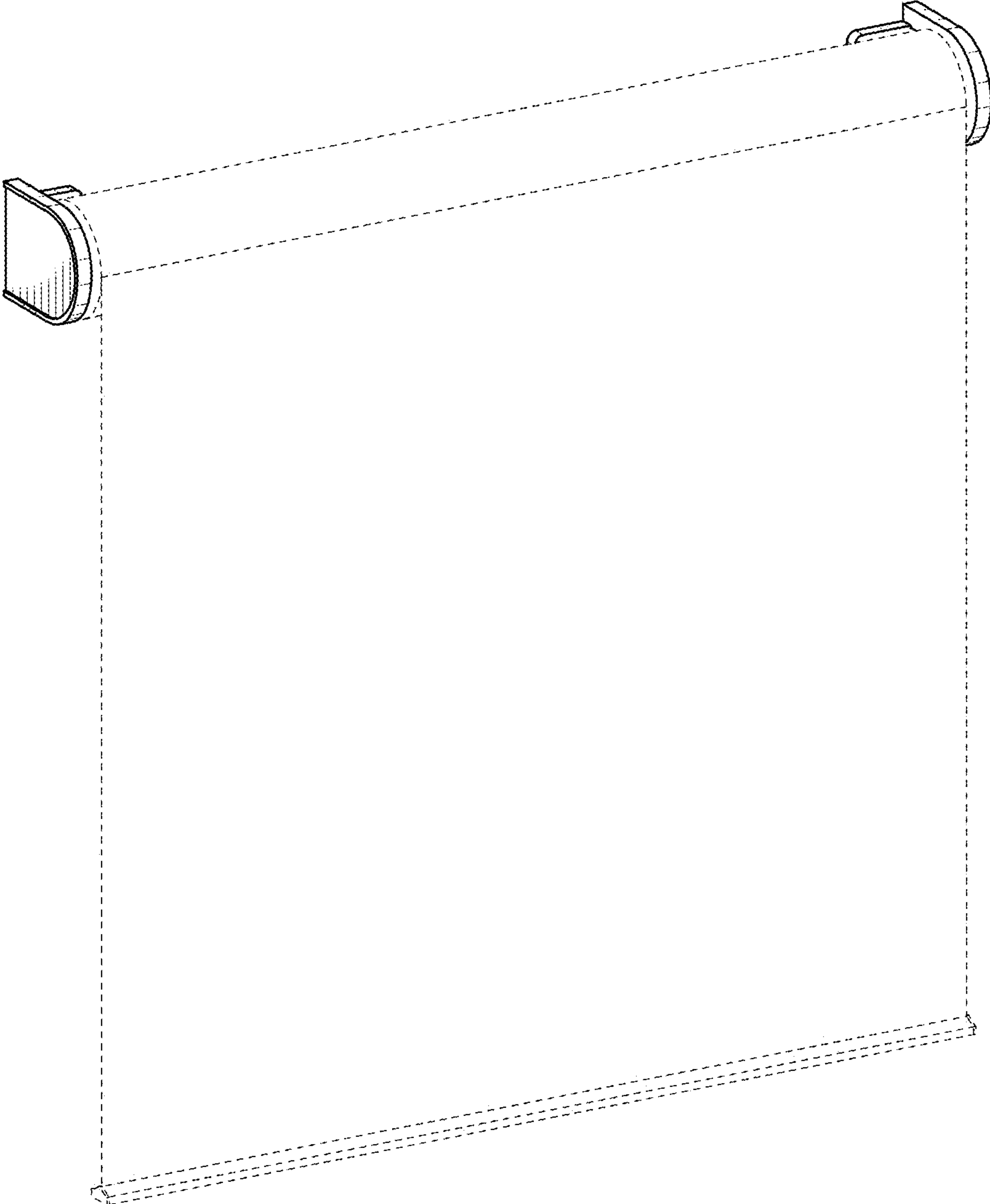


FIG. 9



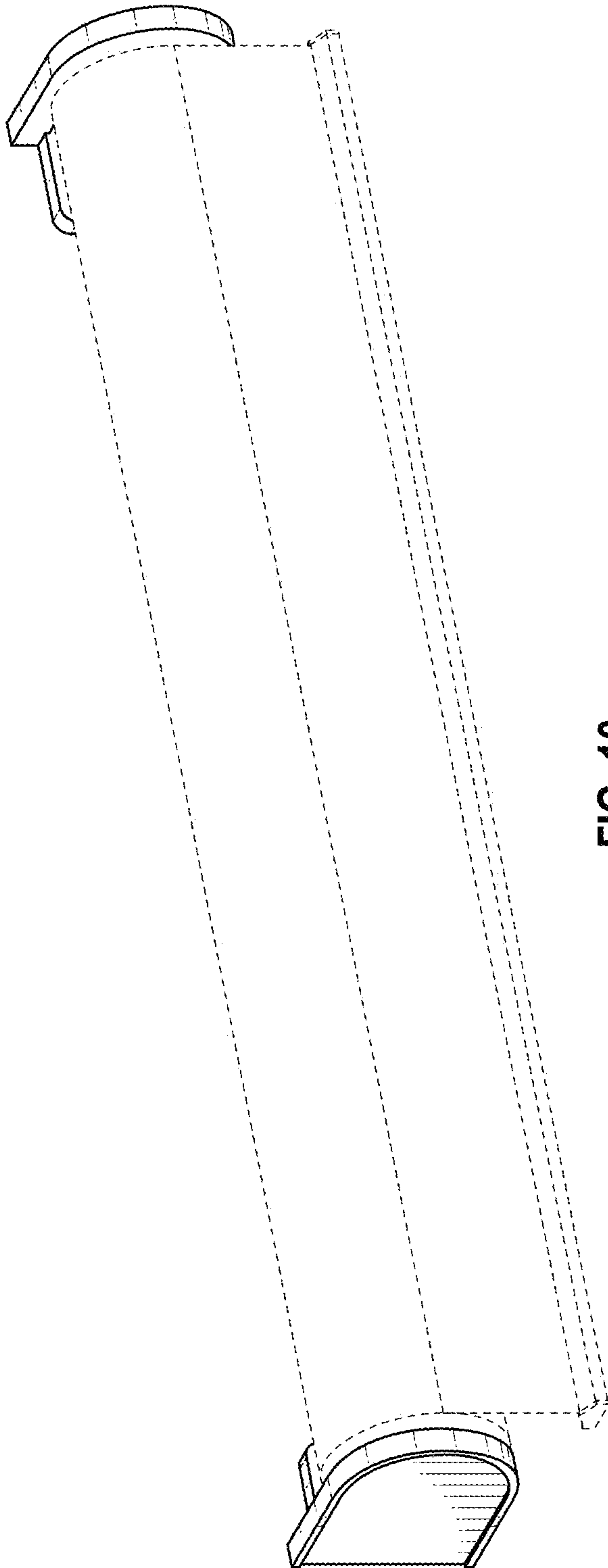


FIG. 10

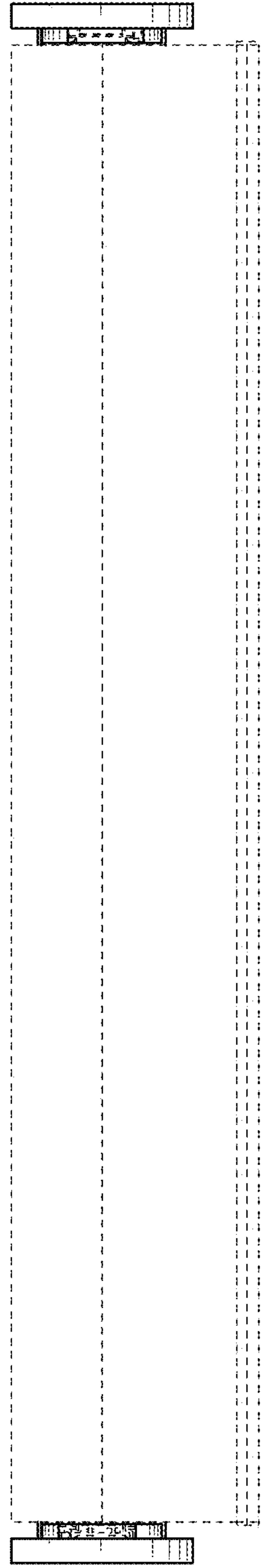


FIG. 11

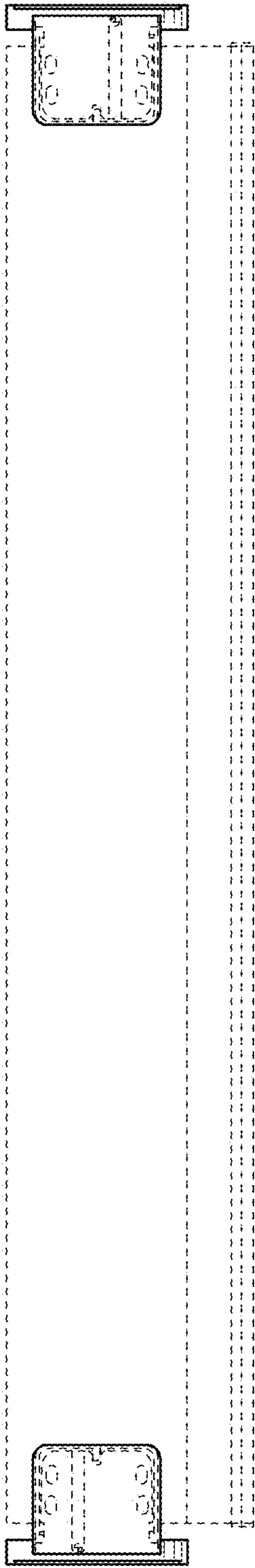


FIG. 12

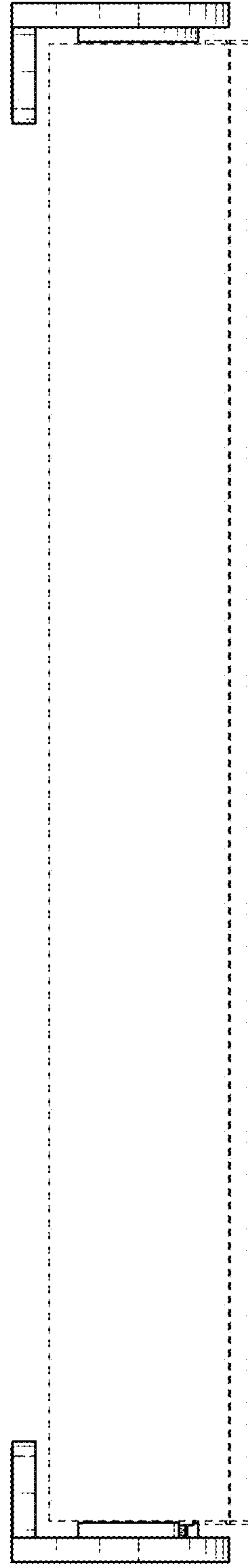


FIG. 13

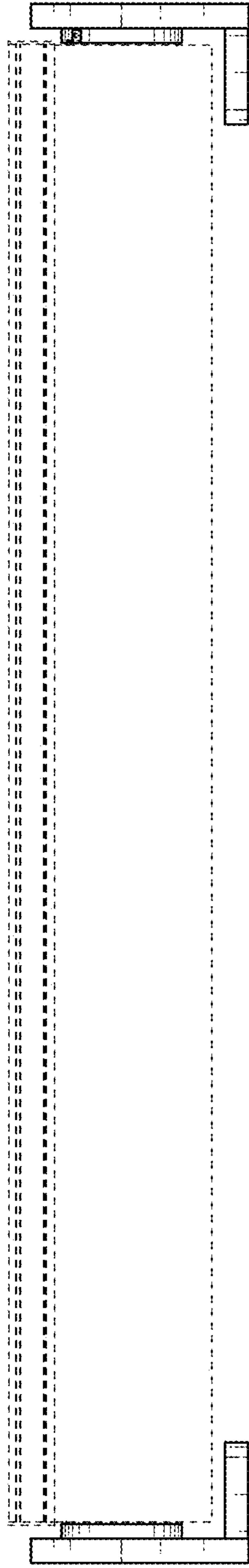


FIG. 14

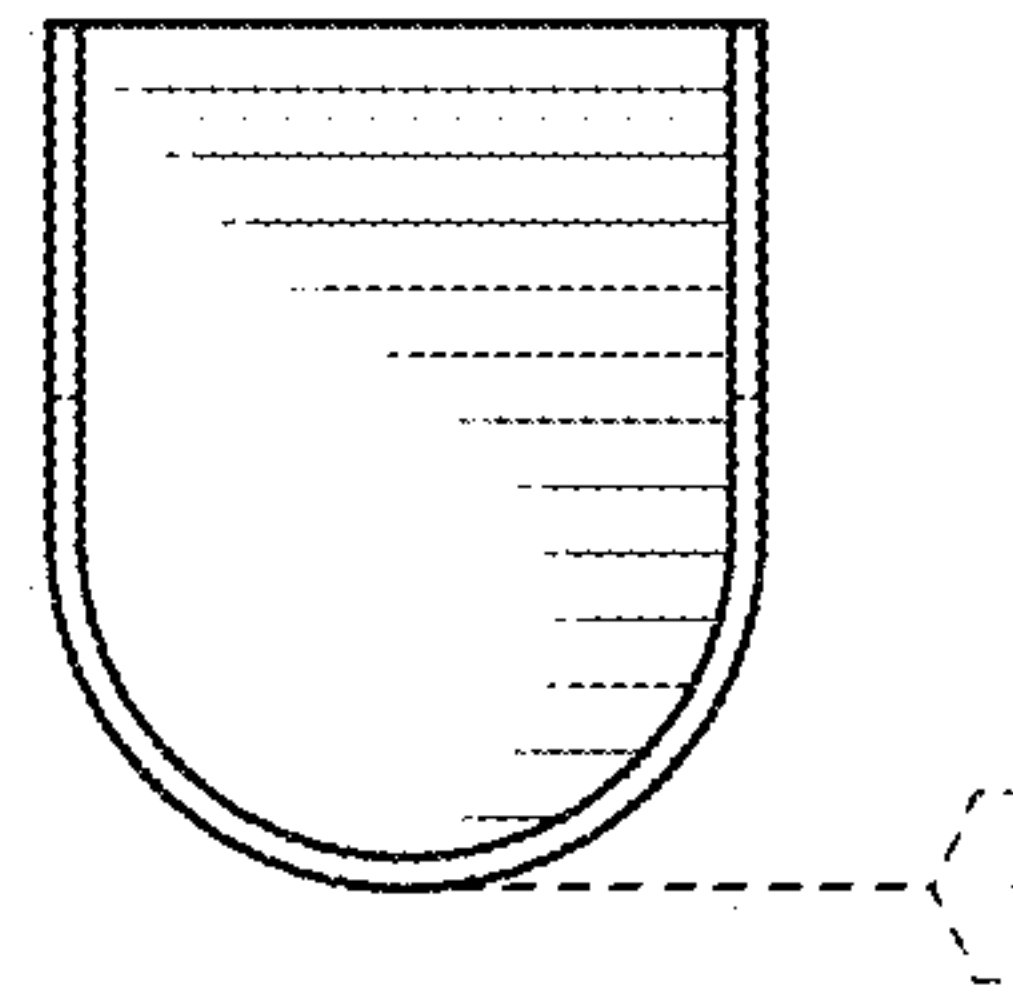


FIG. 16

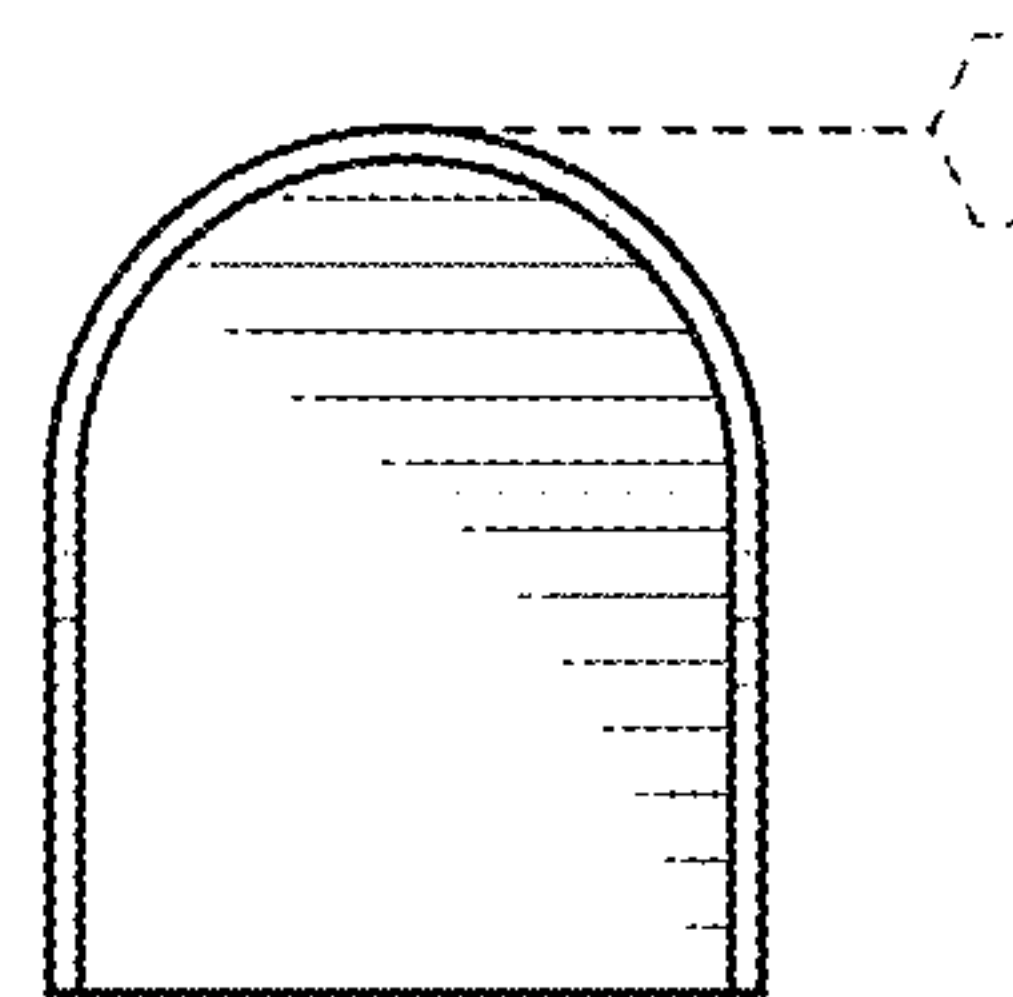


FIG. 15

UNITED STATES PATENT AND TRADEMARK OFFICE  
**CERTIFICATE OF CORRECTION**

PATENT NO. : D874,183 S  
APPLICATION NO. : 29/604680  
DATED : February 4, 2020  
INVENTOR(S) : Vladislav Pejic

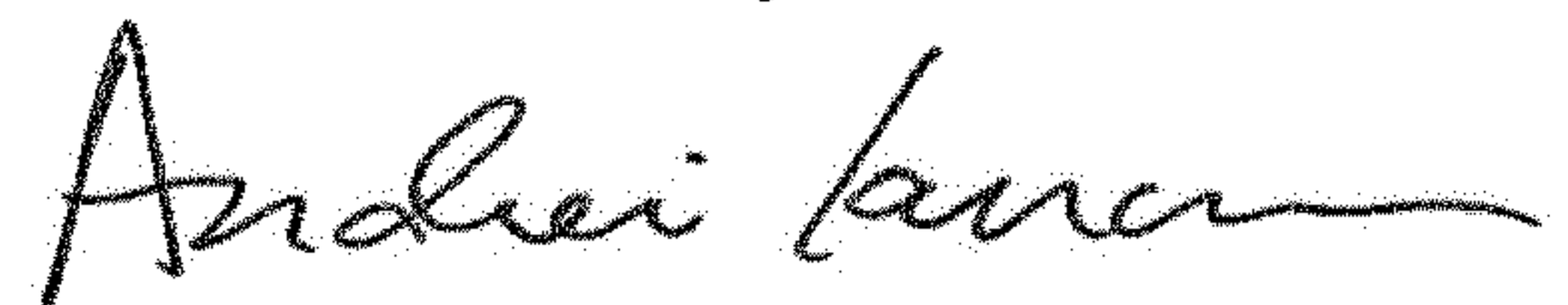
Page 1 of 1

It is certified that error appears in the above-identified patent and that said Letters Patent is hereby corrected as shown below:

On the Title Page

Column 1, (71) Applicant should read:  
Lutron Technology Company LLC, Coopersburg, PA (US)

Signed and Sealed this  
Seventeenth Day of March, 2020



Andrei Iancu  
*Director of the United States Patent and Trademark Office*