



US00D874182S

(12) **United States Design Patent** (10) **Patent No.:** **US D874,182 S**  
**van Kampen et al.** (45) **Date of Patent:** **\*\* Feb. 4, 2020**

(54) **SOAP DISPENSER**  
(71) Applicant: **MMID PRODUCTS B.V.**, Delft (NL)  
(72) Inventors: **Wilmer van Kampen**, Zoetermeer (NL); **Jiaji Zhao**, Delft (NL)  
(73) Assignee: **Mmid Products B.V.**, Belft (NL)  
(\*\*) Term: **15 Years**  
(21) Appl. No.: **35/506,233**  
(22) Filed: **Jun. 21, 2018**  
(80) **Hague Agreement Data**  
Int. Filing Date: **Jun. 21, 2018**  
Int. Reg. No.: **DM/102937**  
Int. Reg. Date: **Jun. 21, 2018**  
Int. Reg. Pub. Date: **Dec. 21, 2018**

(30) **Foreign Application Priority Data**  
Dec. 21, 2017 (EM) ..... 004559433-0001  
(51) **LOC (12) Cl.** ..... **23-02**  
(52) **U.S. Cl.**  
USPC ..... **D6/542**  
(58) **Field of Classification Search**  
USPC ..... D6/512, 542-545; D32/29.1  
CPC ... A47K 5/00; A47K 5/02; A47K 5/06; A47K 5/08; A47K 5/10; A47K 5/12; A47K 5/1201; A47K 5/1202; A47K 5/1204; A47K 5/1205; A47K 5/07; A47K 5/1208; A47K 5/1211; B65D 83/0005  
See application file for complete search history.

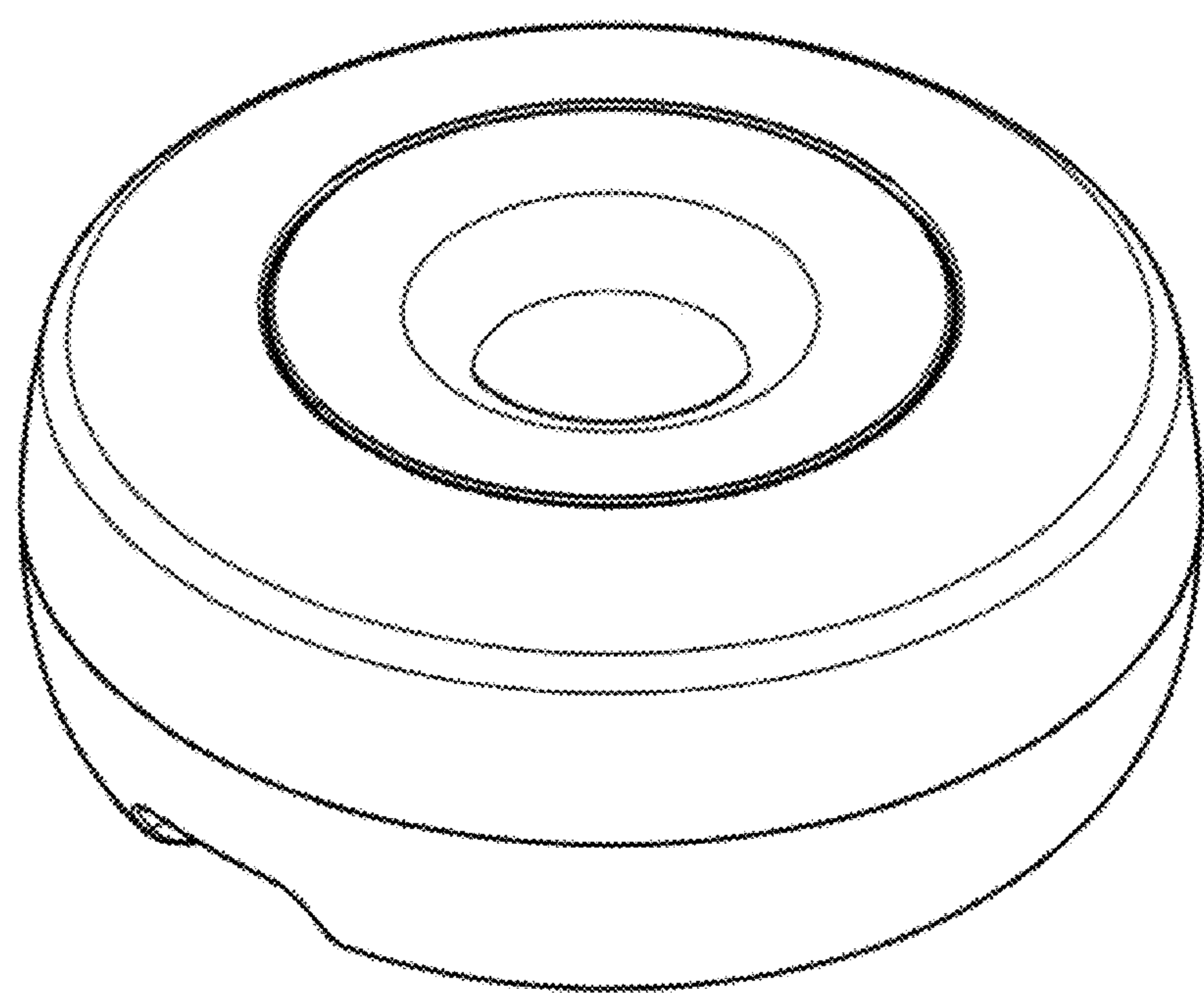
(56) **References Cited**  
U.S. PATENT DOCUMENTS  
2,210,297 A \* 8/1940 Klok ..... B65D 83/0005  
222/93  
D206,994 S \* 2/1967 Baker ..... B65D 83/0005  
D6/542  
5,924,151 A \* 7/1999 Connan ..... D06F 39/024  
206/0.5  
6,267,270 B1 \* 7/2001 Schaffner ..... A47K 5/1208  
222/143  
6,394,316 B1 \* 5/2002 Daansen ..... A47K 5/1207  
222/207  
D663,911 S \* 7/2012 Link ..... A45D 40/00  
D32/29.1  
2005/0087555 A1 \* 4/2005 Hatton ..... A47K 5/1208  
222/209  
2018/0295967 A1 \* 10/2018 Byeon ..... A45D 40/00  
\* cited by examiner

*Primary Examiner* — Mary Ann Calabrese  
(74) *Attorney, Agent, or Firm* — Michael A. Bondi; Moss & Barnett

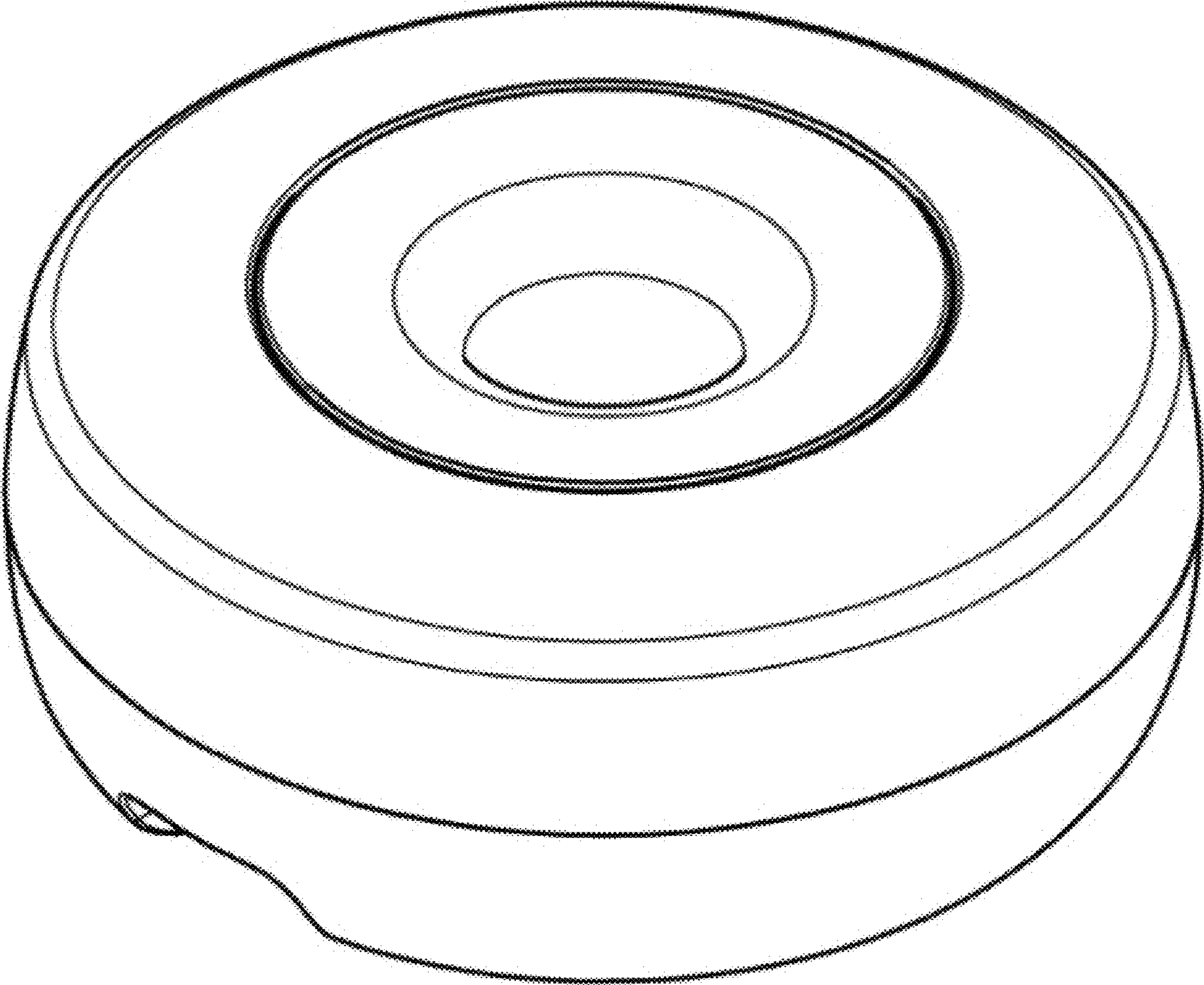
(57) **CLAIM**  
The ornamental design for soap dispenser, as shown and described.

**DESCRIPTION**  
1. Soap dispenser  
1.1 is a top perspective view.  
1.2 is a bottom perspective view.  
1.3 is a top view.  
1.4 is a bottom view.  
1.5 is a front view.  
1.6 is a side view.  
1.7 is a rear view.

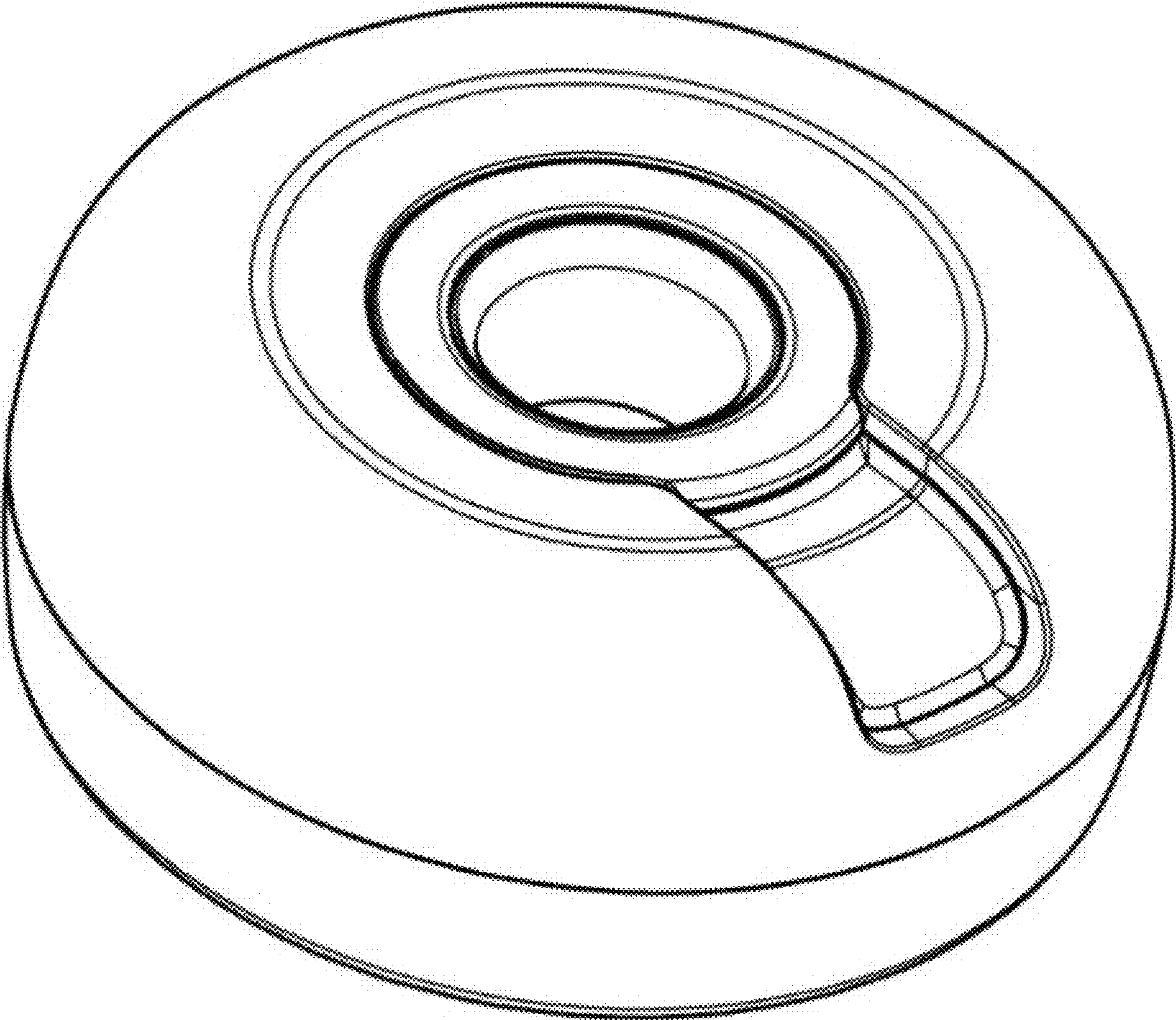
**1 Claim, 7 Drawing Sheets**



**1.1**

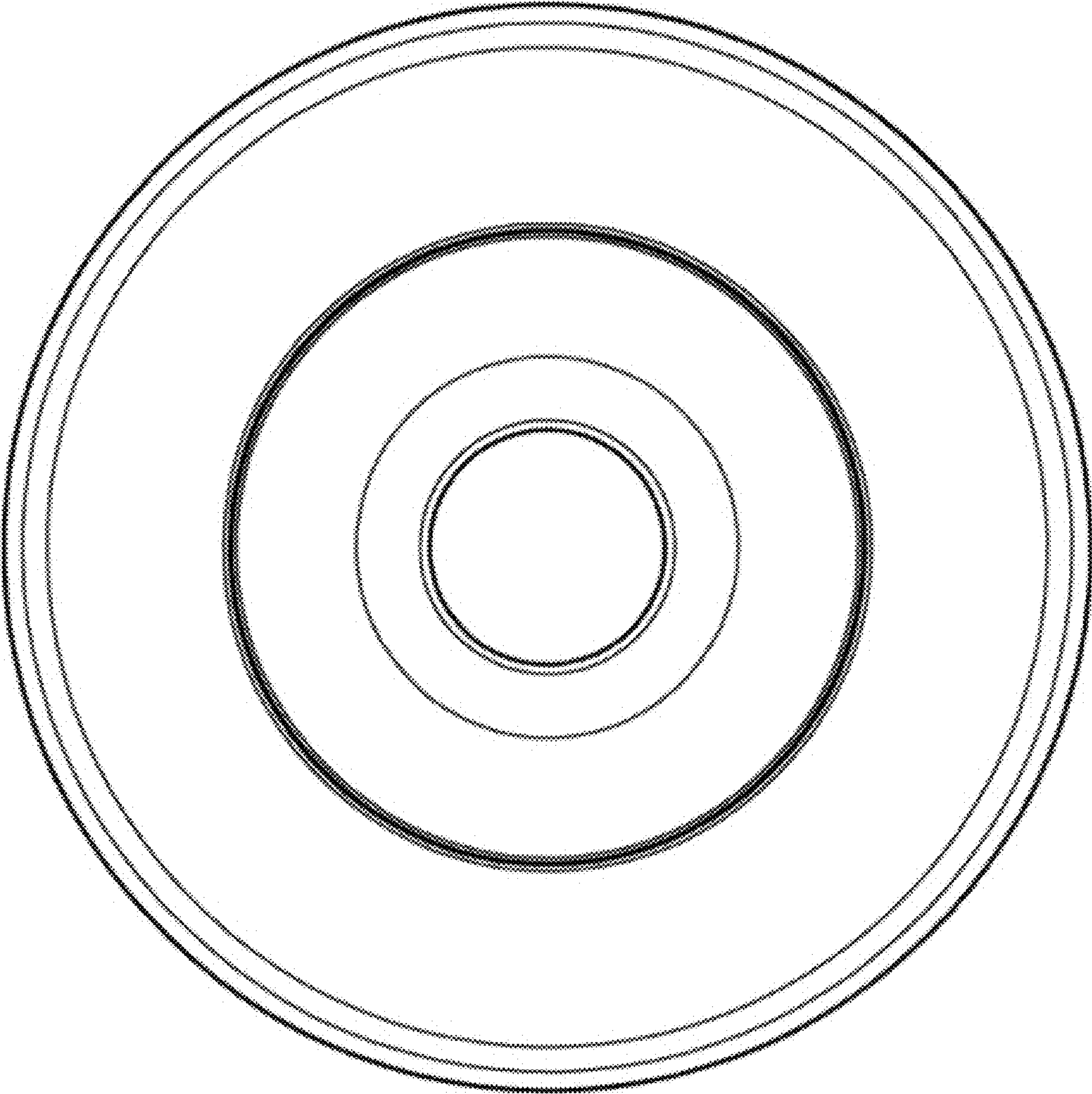


1.2

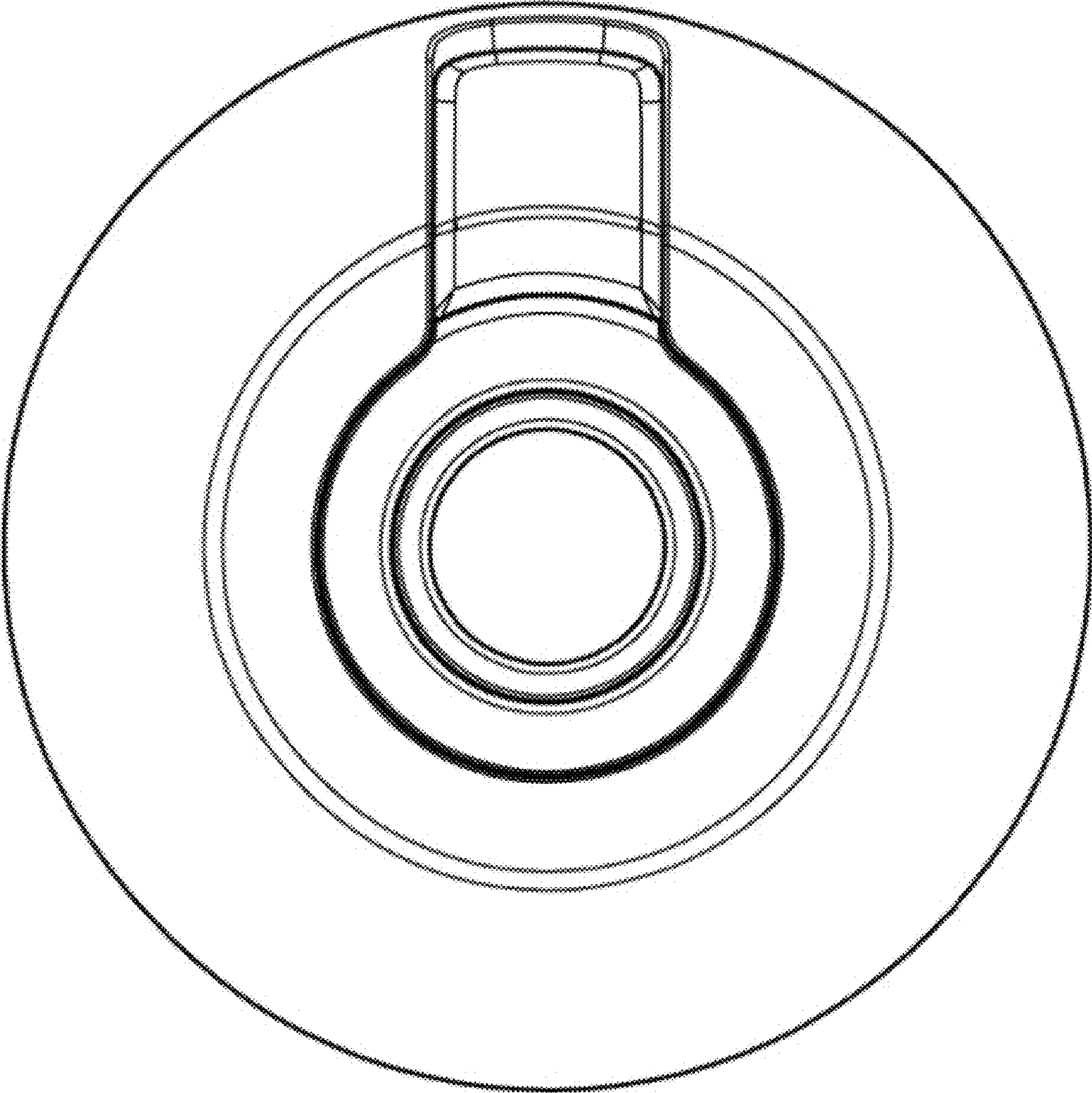




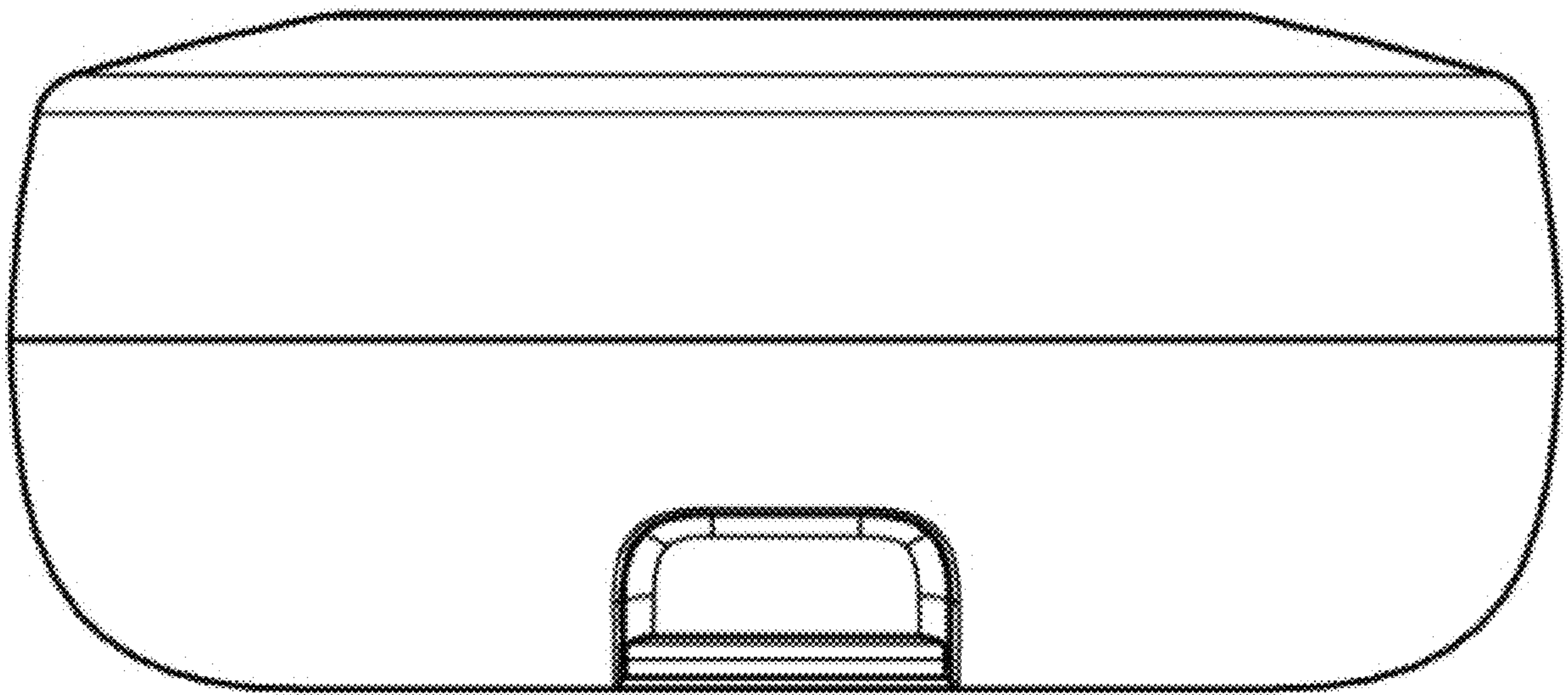
**1.3**



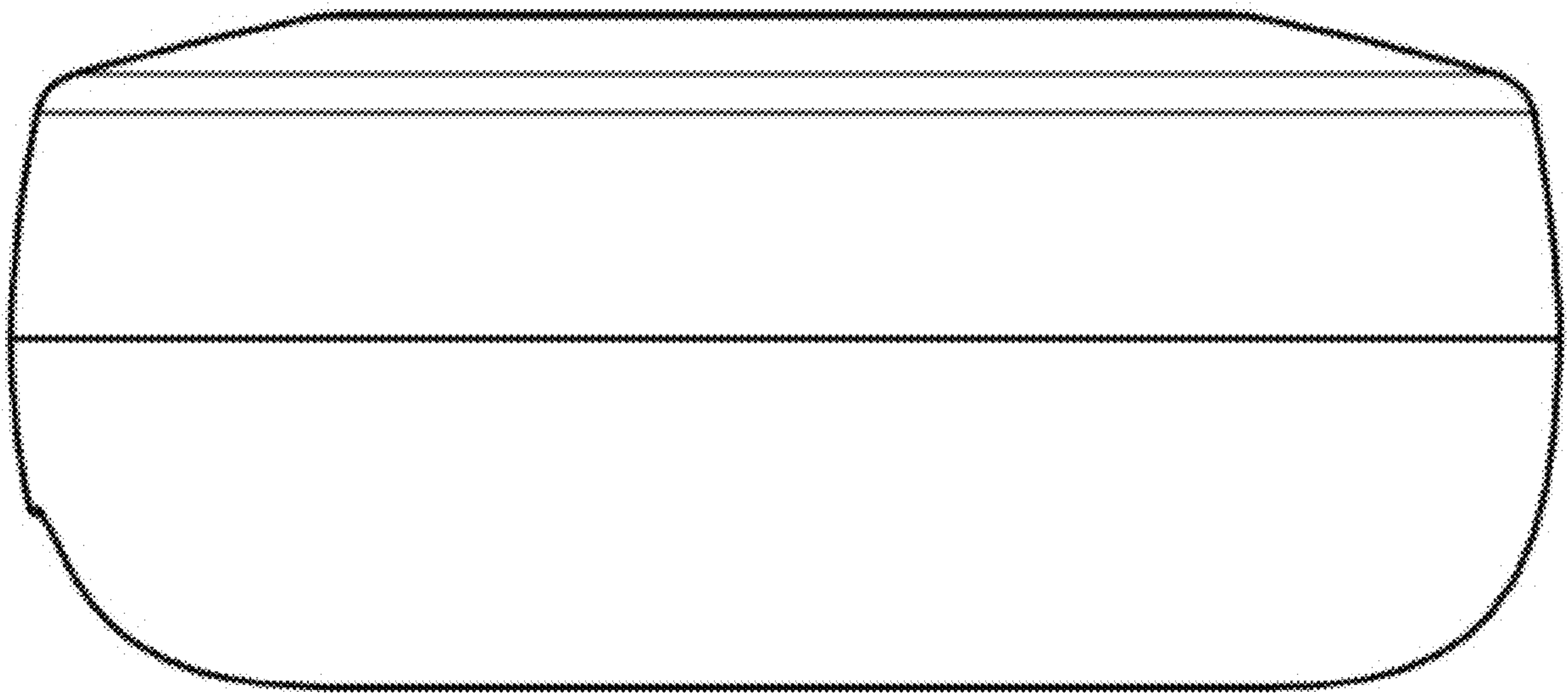
1.4



1.5



**1.6**





**1.7**

