



US00D874181S

(12) **United States Design Patent**
Wei

(10) **Patent No.:** **US D874,181 S**

(45) **Date of Patent:** **** Feb. 4, 2020**

(54) **SOAP DISPENSER**

(71) Applicant: **Shaohong Wei**, Jiangmen (CN)

(72) Inventor: **Shaohong Wei**, Jiangmen (CN)

(**) Term: **15 Years**

(21) Appl. No.: **29/656,886**

(22) Filed: **Jul. 17, 2018**

(51) **LOC (12) Cl.** **23-02**

(52) **U.S. Cl.**
USPC **D6/542**

(58) **Field of Classification Search**

USPC D6/542, 512, 543-545; D9/291, 448,
D9/449, 682, 688, 690; 221/14, 146.3,
221/173, 181.1, 181.3, 251, 282, 628
CPC B67D 1/001; B67D 1/06; B67D 3/0029;
A47K 7/04; A47G 19/24; B65D 23/003;
B65D 83/40; B65D 50/045; B05B
11/3001; F16N 3/10

See application file for complete search history.

(56) **References Cited**

U.S. PATENT DOCUMENTS

D438,041 S * 2/2001 Huang D6/542
D480,643 S * 10/2003 Dretzka D6/542

D531,441 S * 11/2006 Soriano D6/542
D537,360 S * 2/2007 Snell D6/542
D554,410 S * 11/2007 Snell D6/542
D599,598 S * 9/2009 Ghiorghie D6/542
D773,847 S * 12/2016 Lord D6/542
D815,854 S * 4/2018 Weir D6/542

* cited by examiner

Primary Examiner — Wan Laymon

Assistant Examiner — Mark Booker

(74) *Attorney, Agent, or Firm* — Intellectual Property
Law Group LLP

(57) **CLAIM**

The ornamental design for a soap dispenser, as shown and described.

DESCRIPTION

FIG. 1 is a perspective view of a soap dispenser, showing my new design;

FIG. 2 is a rear view thereof;

FIG. 3 is a front view thereof;

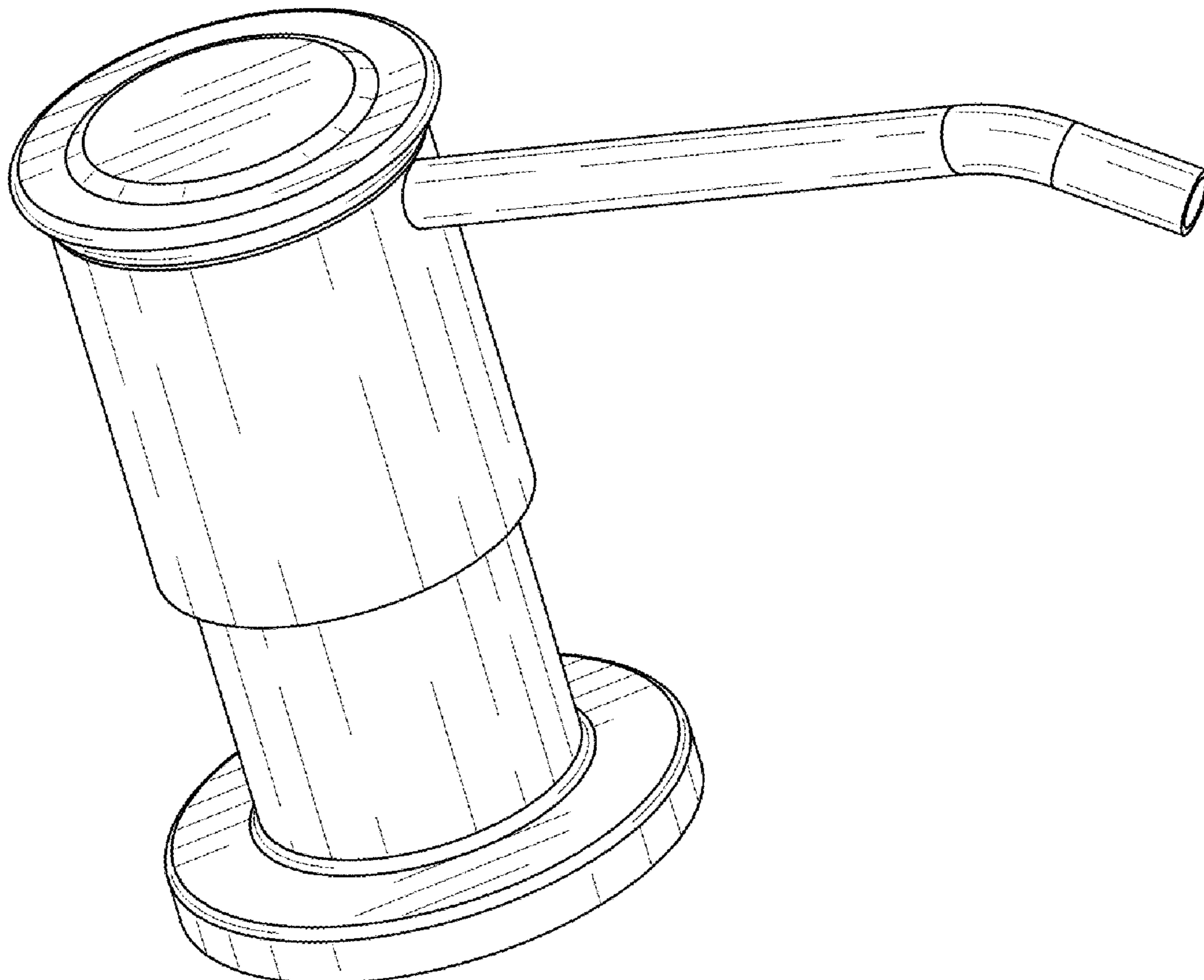
FIG. 4 is a left side view thereof, the right side view being a mirror image thereof;

FIG. 5 is a top plan view thereof; and,

FIG. 6 is a bottom plan view thereof.

The broken lines shown in the figures represent portions of the soap dispenser that form no part of the claimed design.

1 Claim, 2 Drawing Sheets



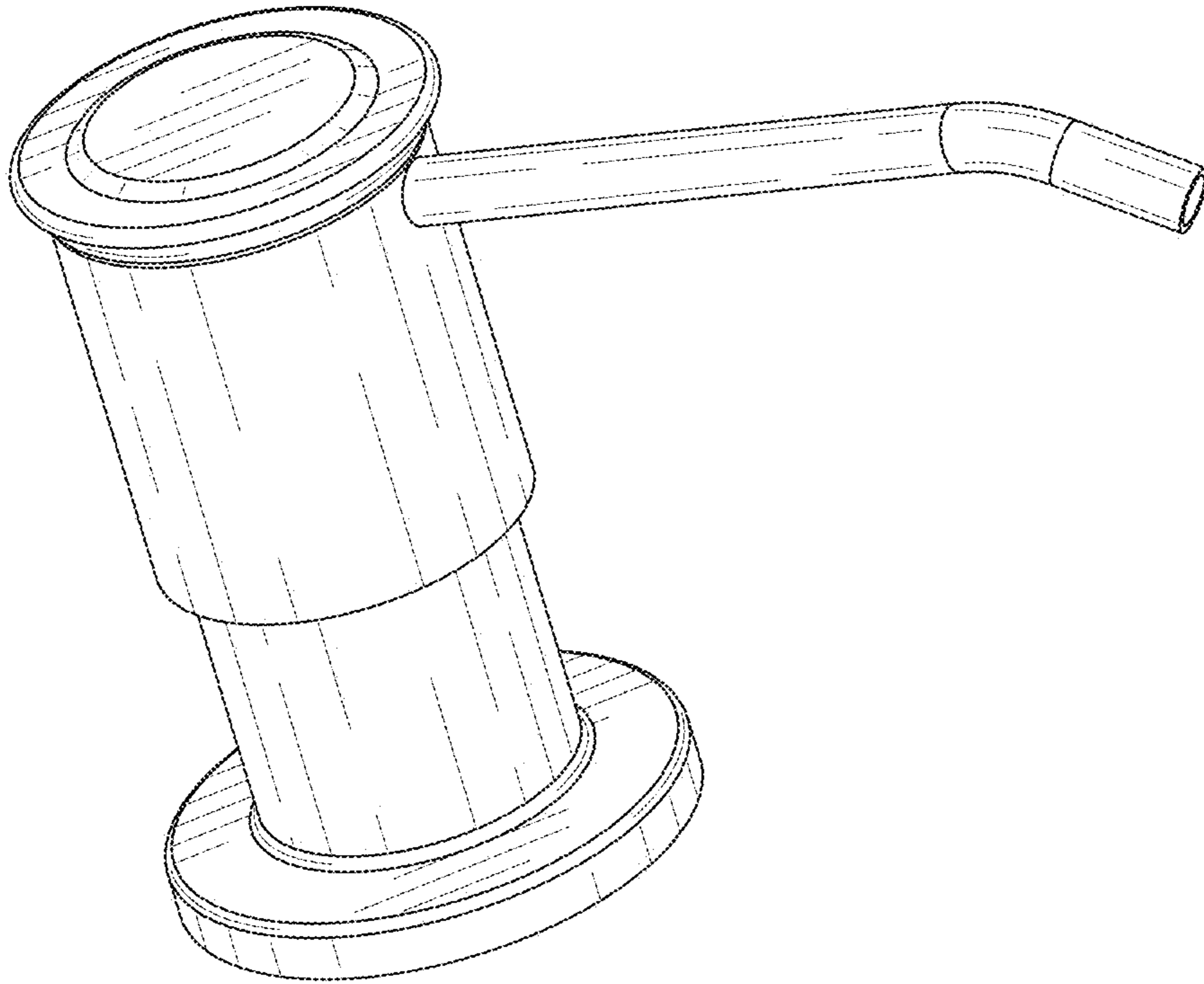


FIG. 1

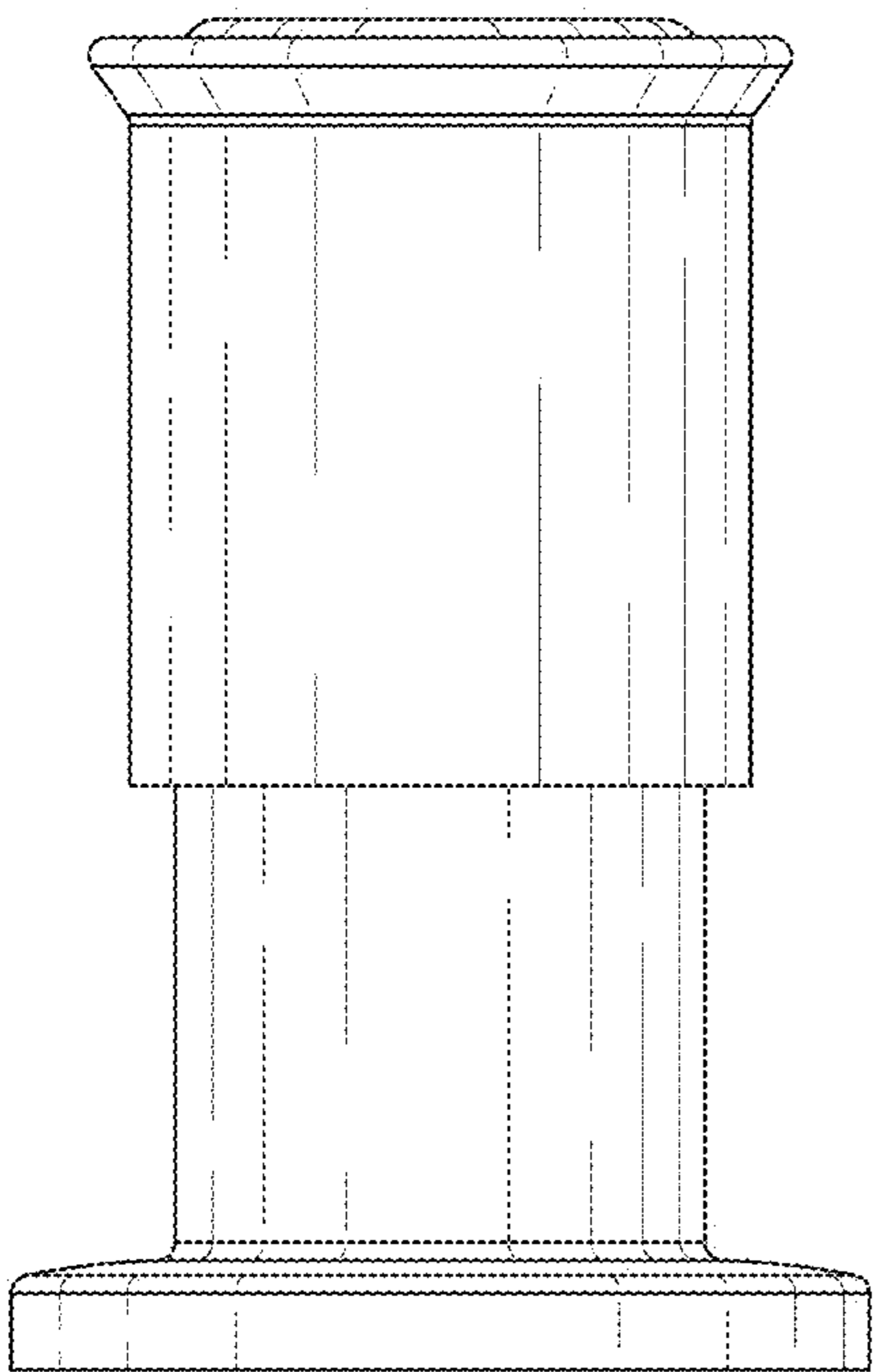


FIG. 2

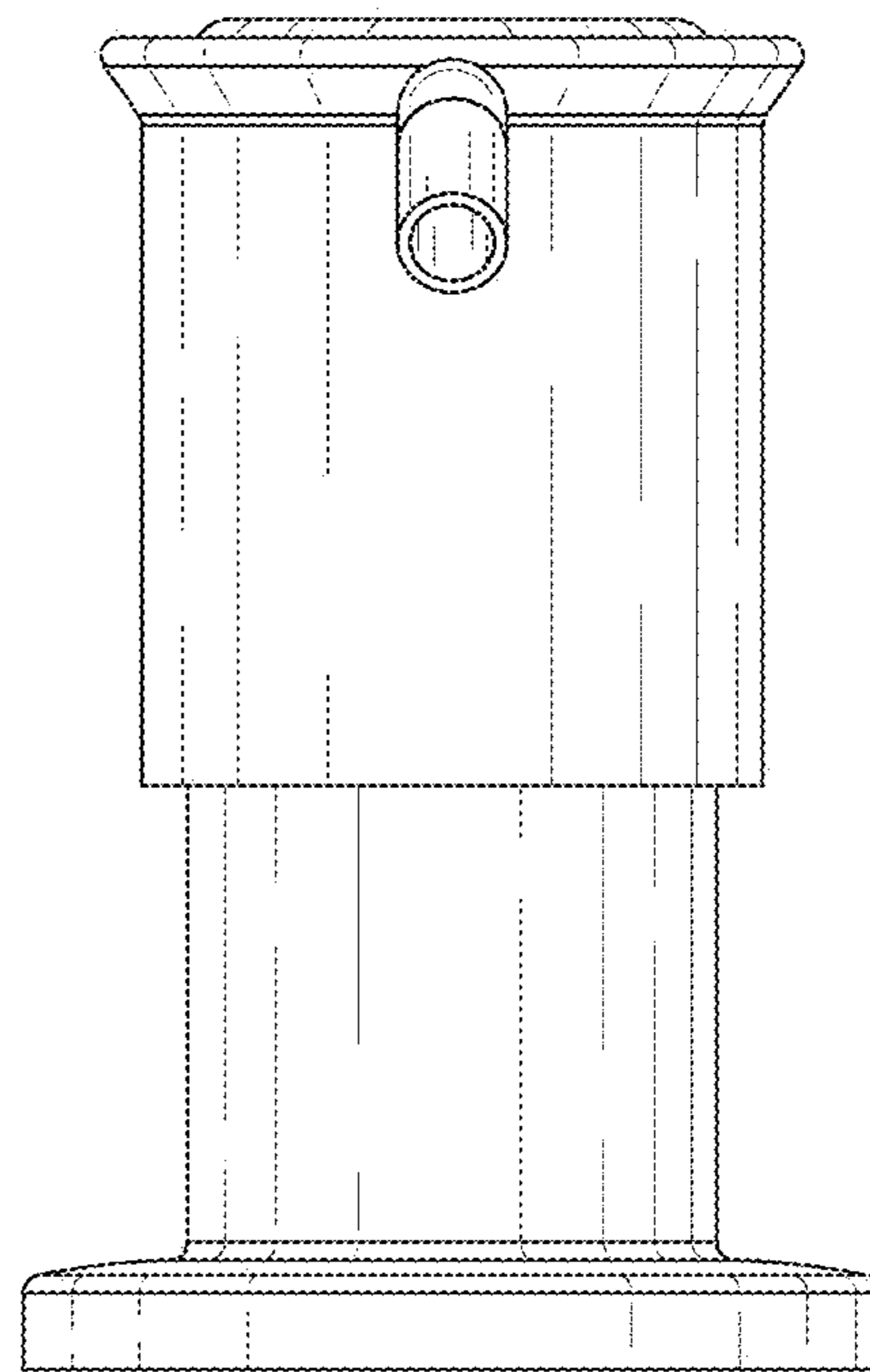


FIG. 3

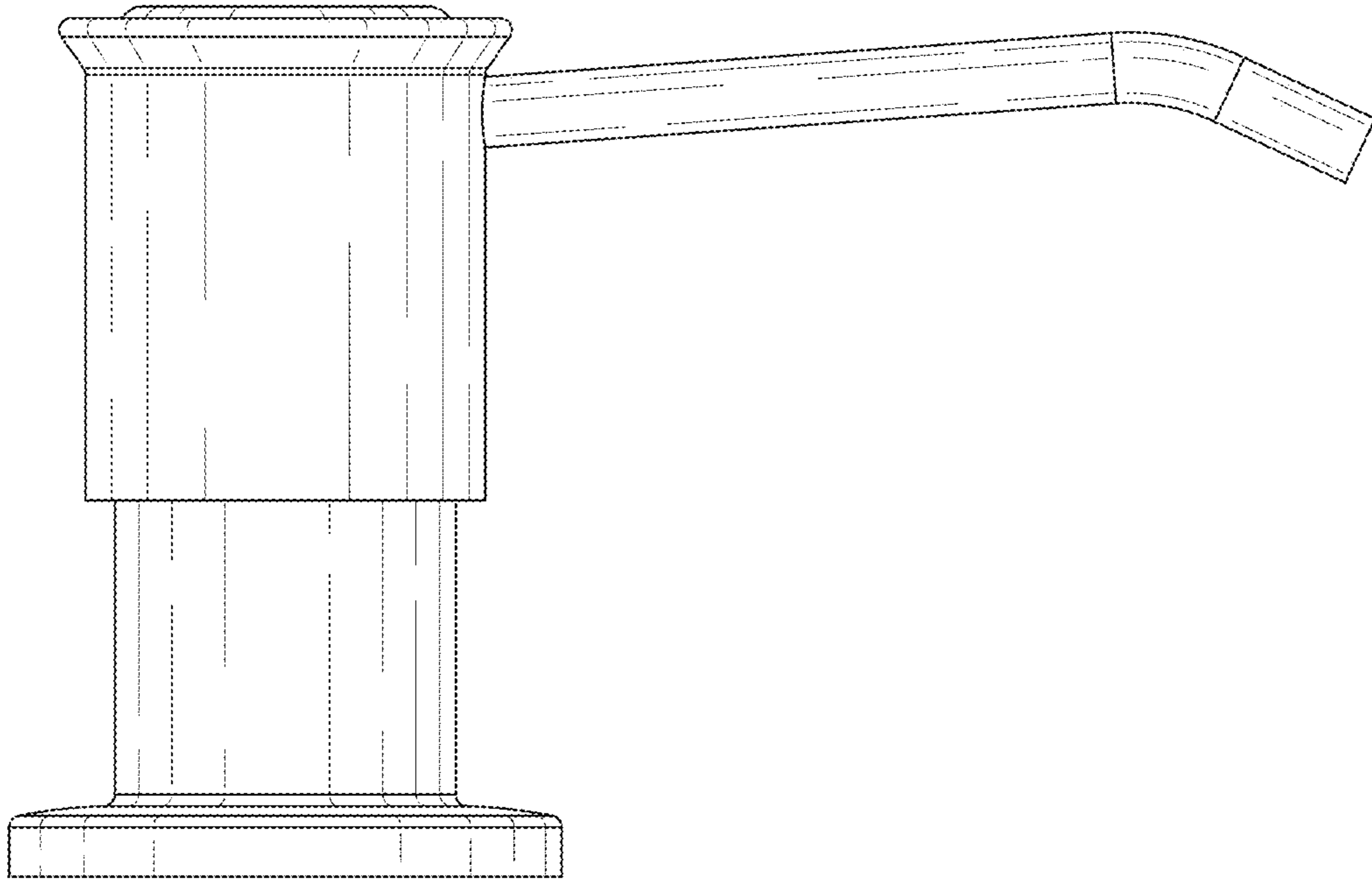


FIG. 4

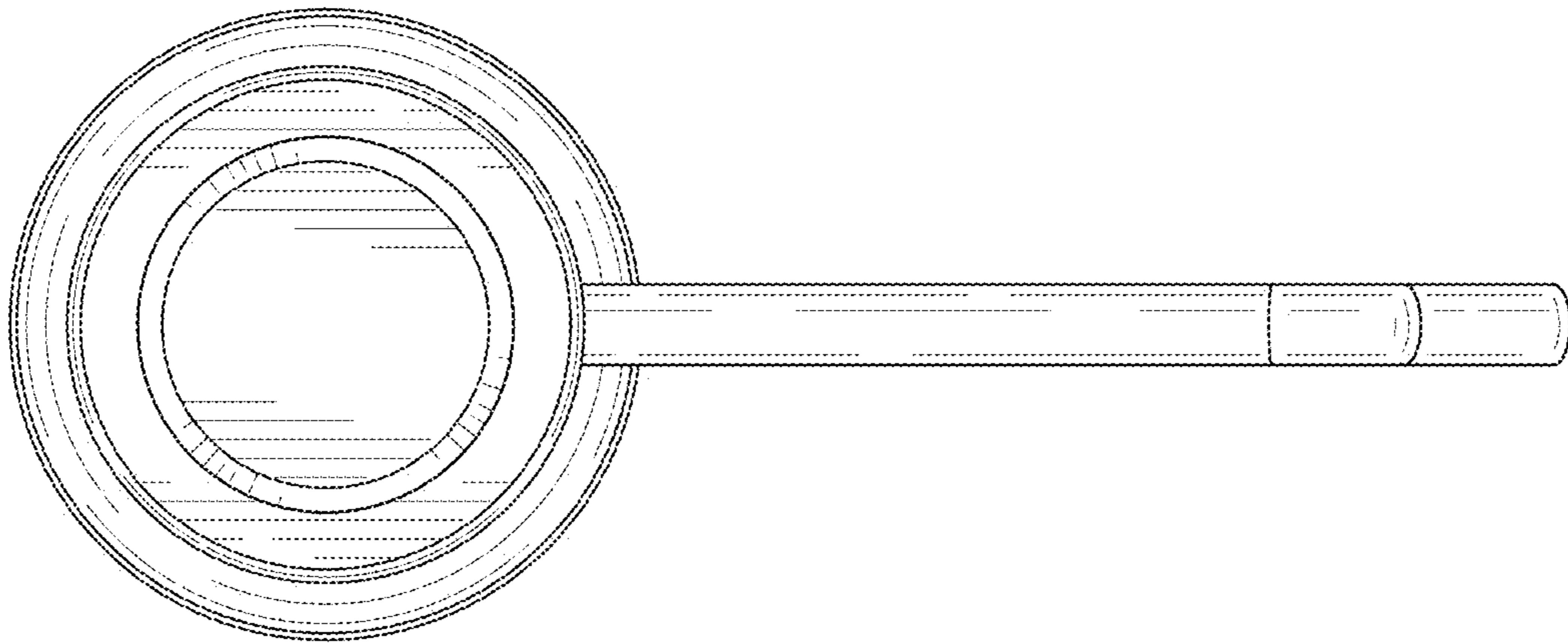


FIG. 5

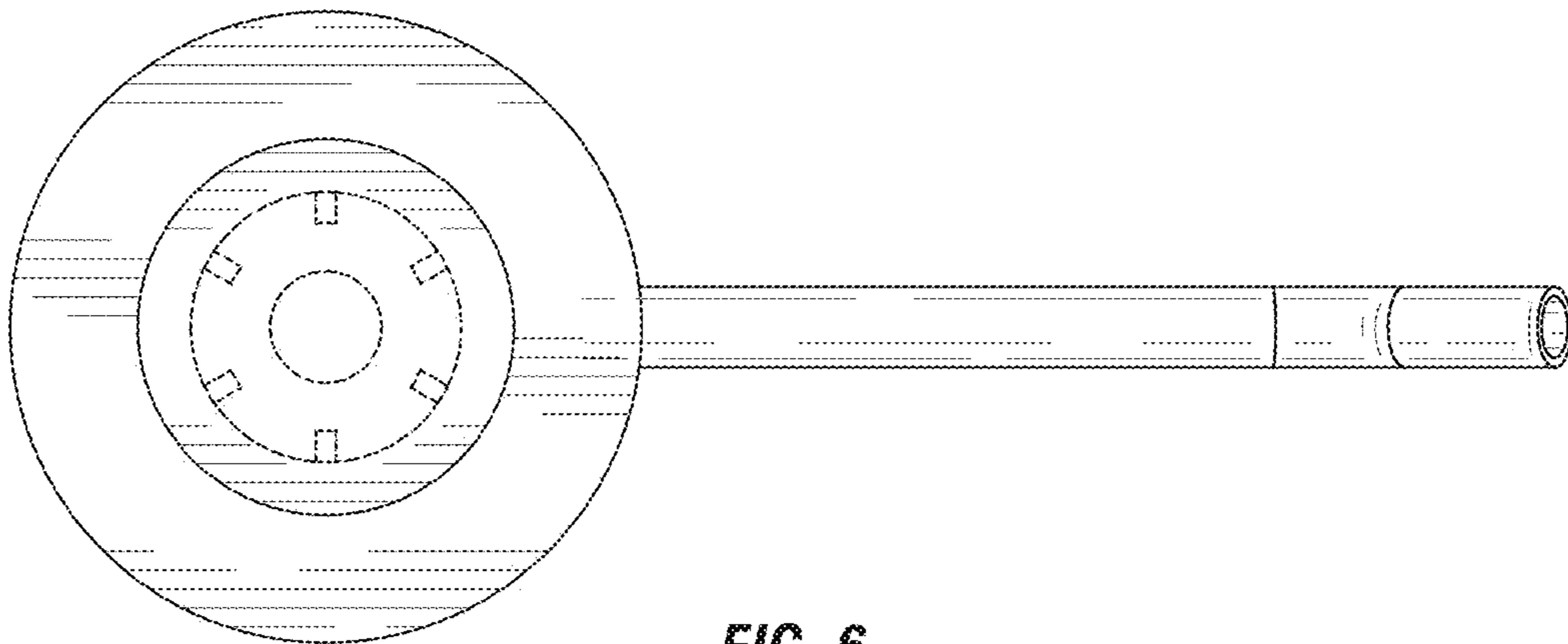


FIG. 6