



US00D874175S

(12) **United States Design Patent**  
**Chunyo**

(10) **Patent No.:** **US D874,175 S**  
(45) **Date of Patent:** **\*\* Feb. 4, 2020**

- (54) **SEAT FOR A BED**
- (71) Applicant: **Sandor Chunyo**, Morehead, KY (US)
- (72) Inventor: **Sandor Chunyo**, Morehead, KY (US)
- (\*\*) Term: **15 Years**
- (21) Appl. No.: **29/661,882**
- (22) Filed: **Aug. 31, 2018**
- (51) **LOC (12) Cl.** ..... **06-01**
- (52) **U.S. Cl.**  
USPC ..... **D6/372**
- (58) **Field of Classification Search**  
USPC ..... D6/334, 341, 349, 350, 352, 353, 360,  
D6/364, 369, 373, 374, 375, 380, 677,  
D6/692, 700, 708, 708.16, 716, 344, 363,  
D6/365, 367, 370, 372, 362, 371  
CPC ..... A47C 3/34; A47C 7/506; A47C 9/007;  
A47C 13/023; A47C 4/028; A47C 4/02;  
A47C 9/00; A47C 9/005; A47C 3/023;  
A47C 3/04; A47C 3/14; A47C 4/03;  
A47C 5/04; A47C 5/10; A47C 7/002;  
A47C 7/029; A47B 1/00; A47B 7/02;  
A47B 39/08; A47B 41/00; A47B 41/04;  
A47B 2200/0011; A47B 2220/0027  
See application file for complete search history.

- 2,565,870 A \* 8/1951 McGuire ..... A47C 3/023  
297/295
- 2,586,262 A \* 2/1952 Robins ..... A47C 3/023  
5/120
- 2,625,205 A \* 1/1953 Holmes ..... A47C 3/023  
297/295
- 2,872,966 A \* 2/1959 Chamness ..... A47C 9/025  
297/311
- 2,981,315 A \* 4/1961 Schaffer ..... A47C 3/023  
297/287

(Continued)

*Primary Examiner* — Kevin K Rudzinski  
*Assistant Examiner* — Paul D Bohannon  
(74) *Attorney, Agent, or Firm* — Brian Harrod; George W. Moxon, II

(57) **CLAIM**

The ornamental design for a seat for a bed, as shown and described.

**DESCRIPTION**

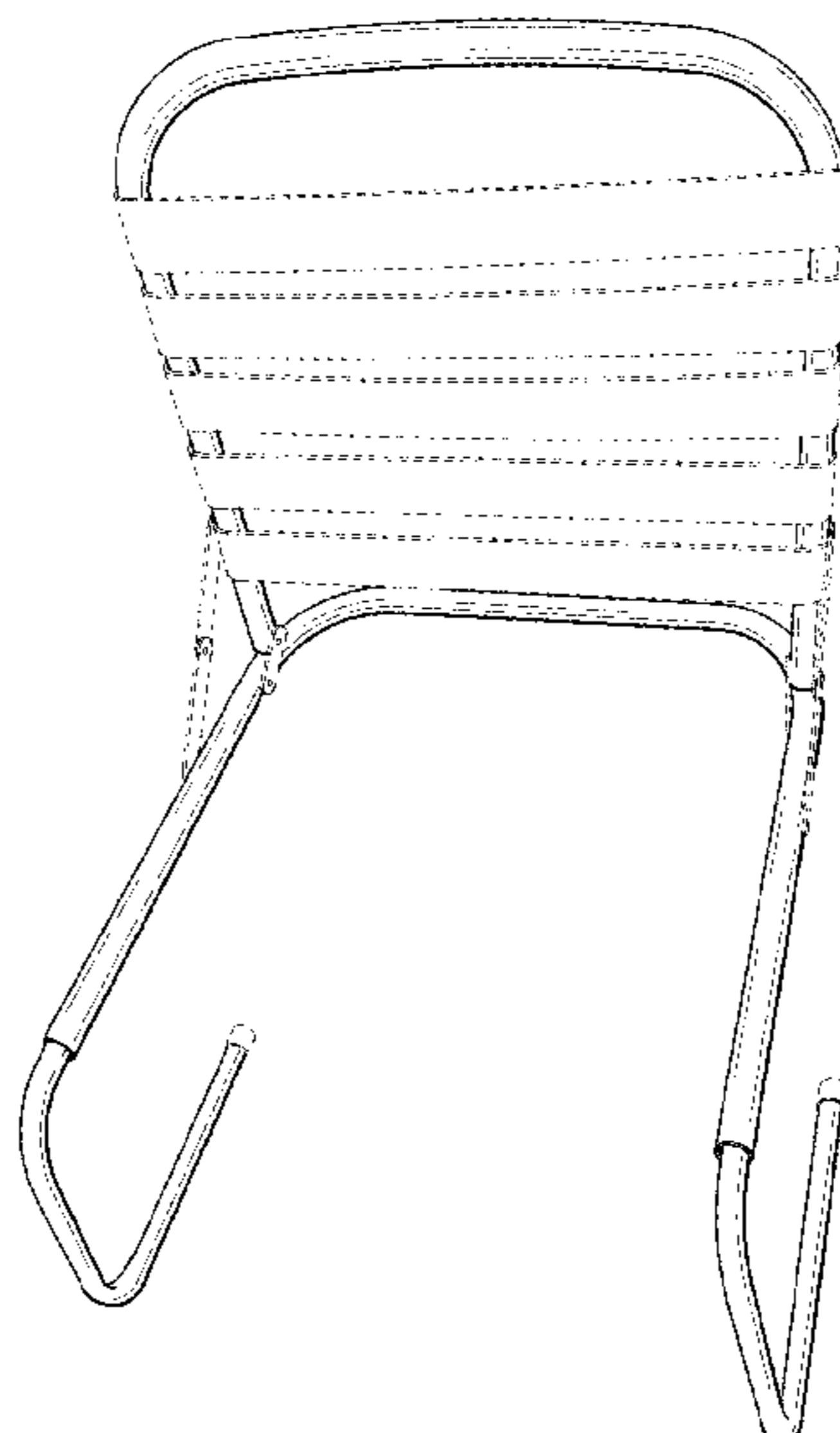
FIG. 1 is a perspective view showing my new design of a seat for a bed in the deployed position;  
FIG. 2 is a front view thereof;  
FIG. 3 is a left side view thereof, the right side view is a mirror image of the left side;  
FIG. 4 is a top view thereof;  
FIG. 5 is a rear view thereof;  
FIG. 6 is a bottom view thereof;  
FIG. 7 is a perspective view showing my new design in the folded/storage position;  
FIG. 8 is a front view thereof;  
FIG. 9 is a left side view thereof;  
FIG. 10 is a top view thereof; and,  
FIG. 11 is a right side view thereof.  
The broken lines shown in the drawings are for the purpose of illustrating portions of the article and form no part of the claimed design.

(56) **References Cited**

U.S. PATENT DOCUMENTS

- 1,976,449 A \* 10/1934 Lorenz ..... A47C 3/023  
297/295
- D96,757 S \* 9/1935 Kalter ..... D6/367
- 2,303,039 A \* 11/1942 Gilklson ..... A47C 3/021  
297/411.42
- 2,465,104 A \* 3/1949 Kullack ..... A47D 1/004  
297/338
- 2,502,857 A \* 4/1950 Kipp ..... A47C 4/02  
297/446.2
- 2,564,915 A \* 8/1951 Nelson ..... A47C 3/023  
297/287

**1 Claim, 4 Drawing Sheets**



(56)

**References Cited**

U.S. PATENT DOCUMENTS

4,270,799	A *	6/1981	Flaum .....	A47C 3/023 297/440.11
D351,740	S *	10/1994	Tesmer .....	D25/2
D355,780	S *	2/1995	Noll .....	D6/372
5,626,394	A *	5/1997	Perry .....	A47C 3/04 297/239
D576,417	S *	9/2008	Dietrich .....	D6/372
D658,397	S *	5/2012	Andreucci .....	D6/372
D682,562	S *	5/2013	Plested .....	D6/333

\* cited by examiner

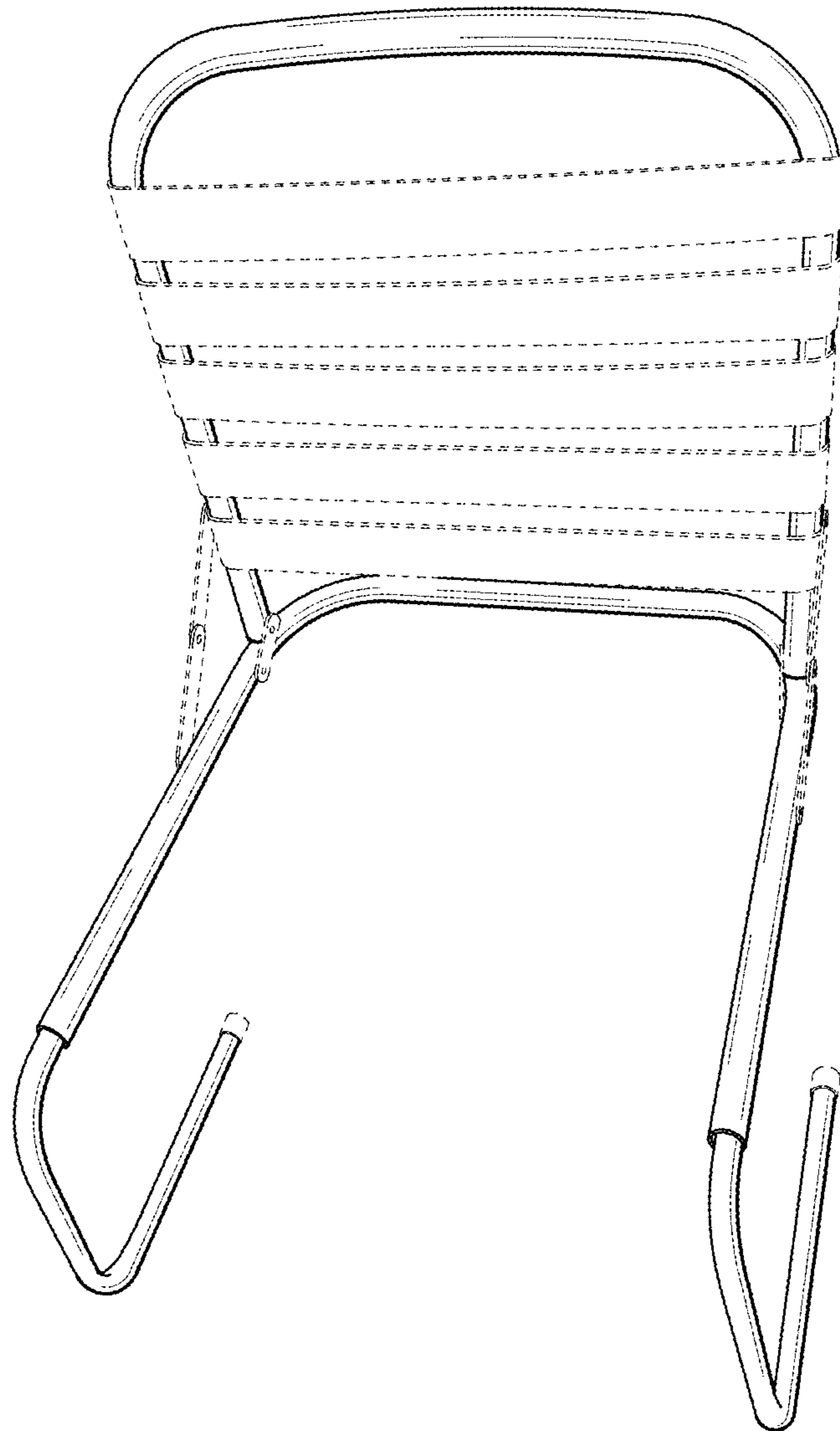


FIG. 1

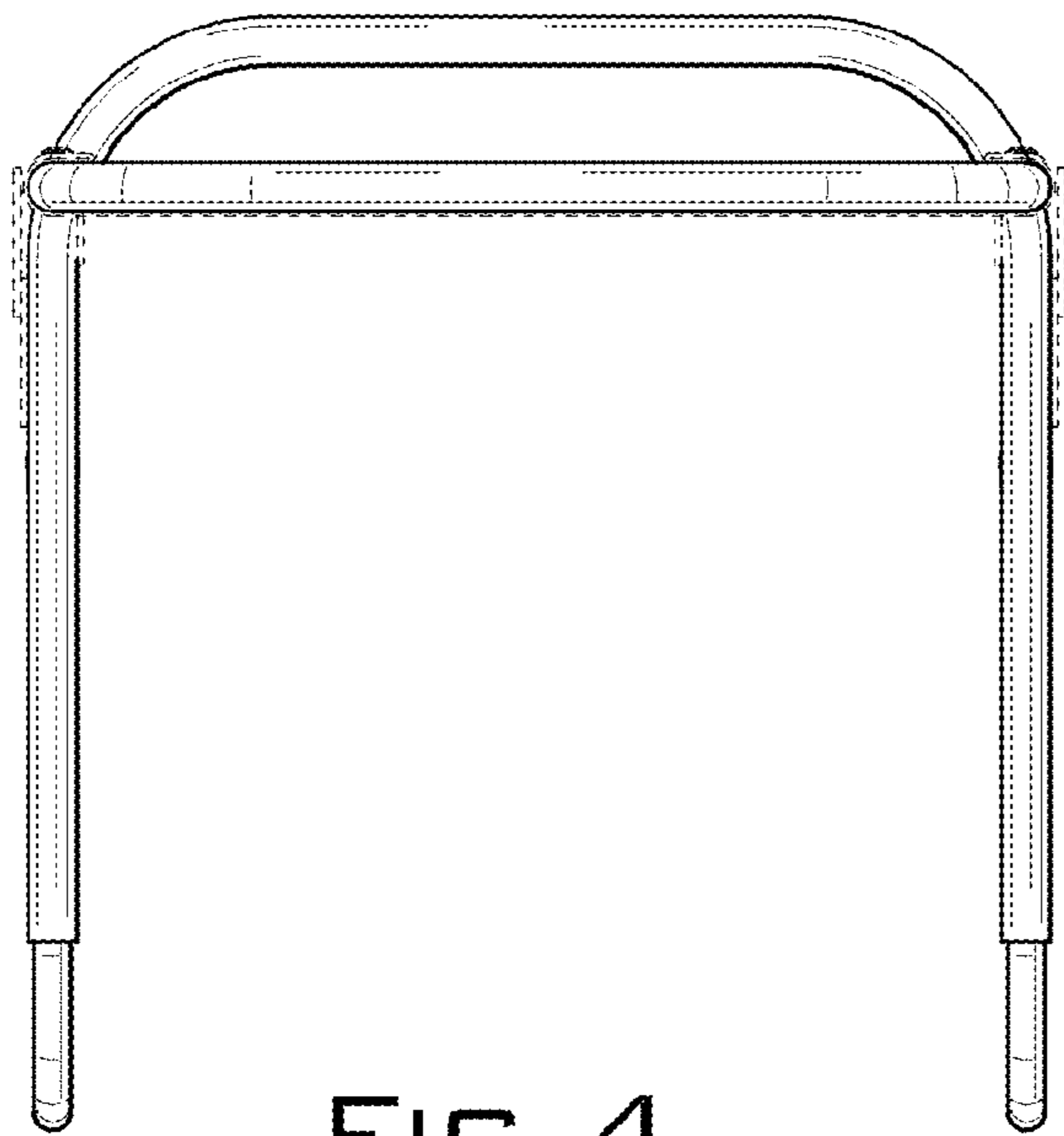


FIG. 4

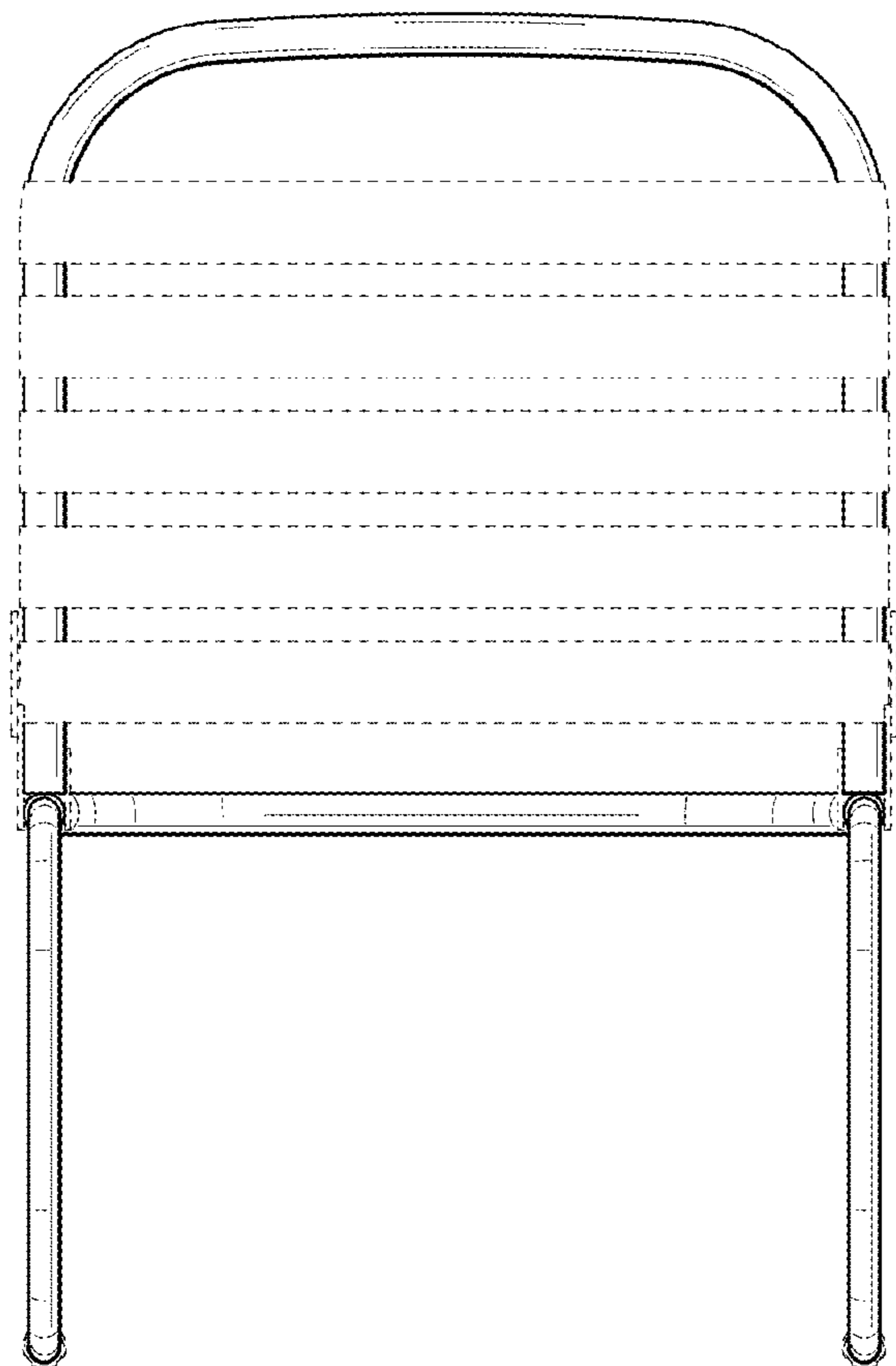


FIG. 2

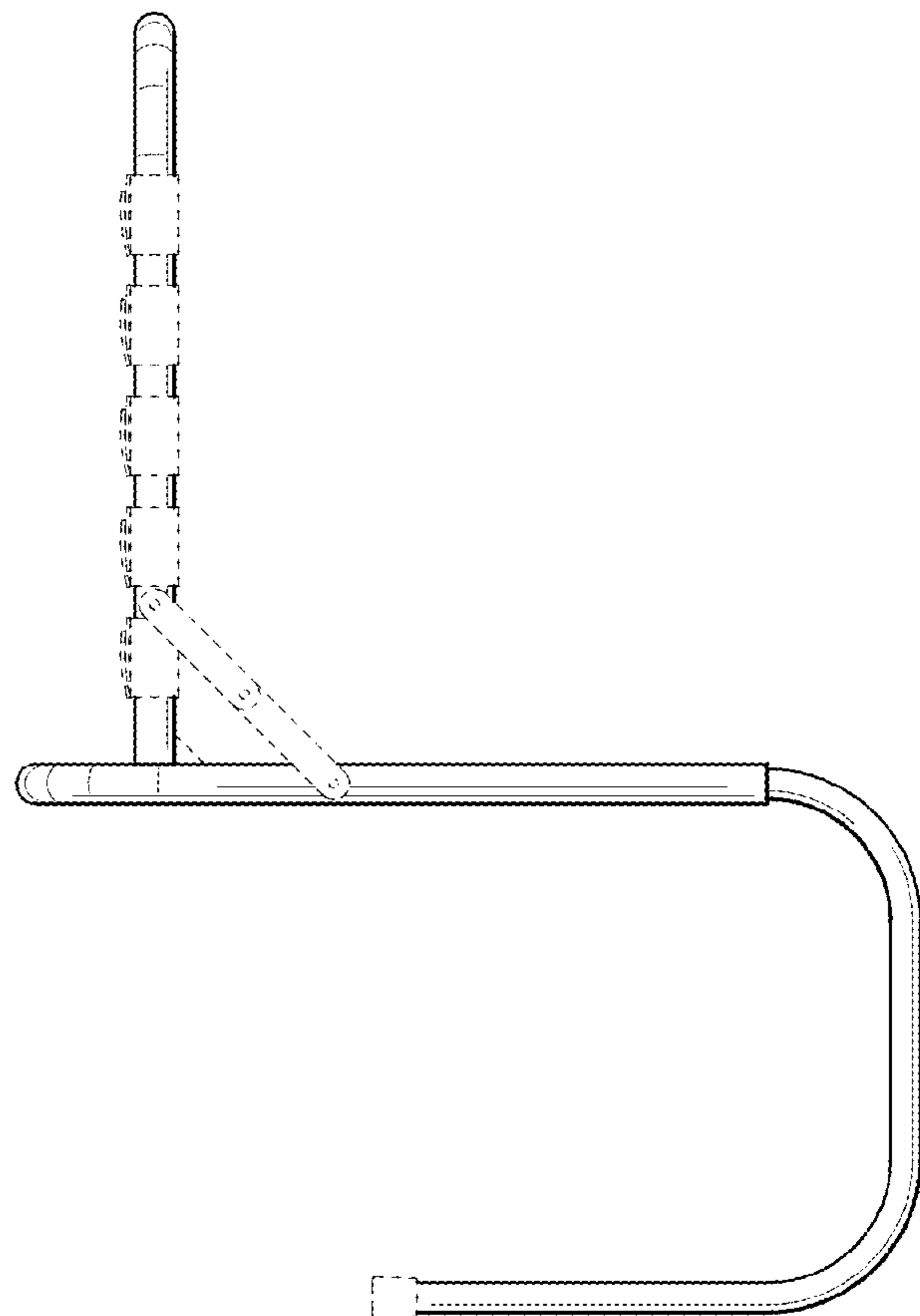


FIG. 3

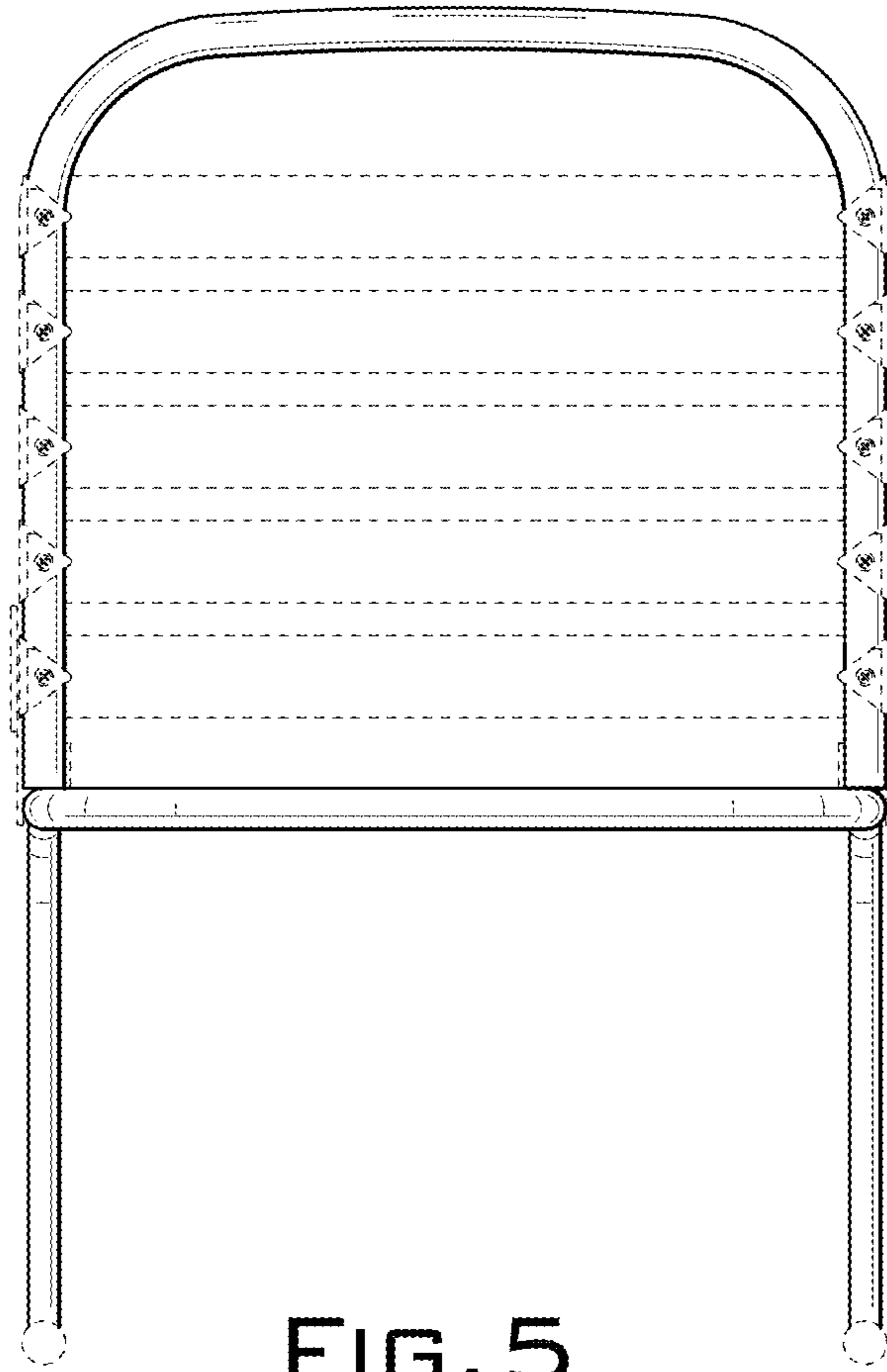


FIG. 5

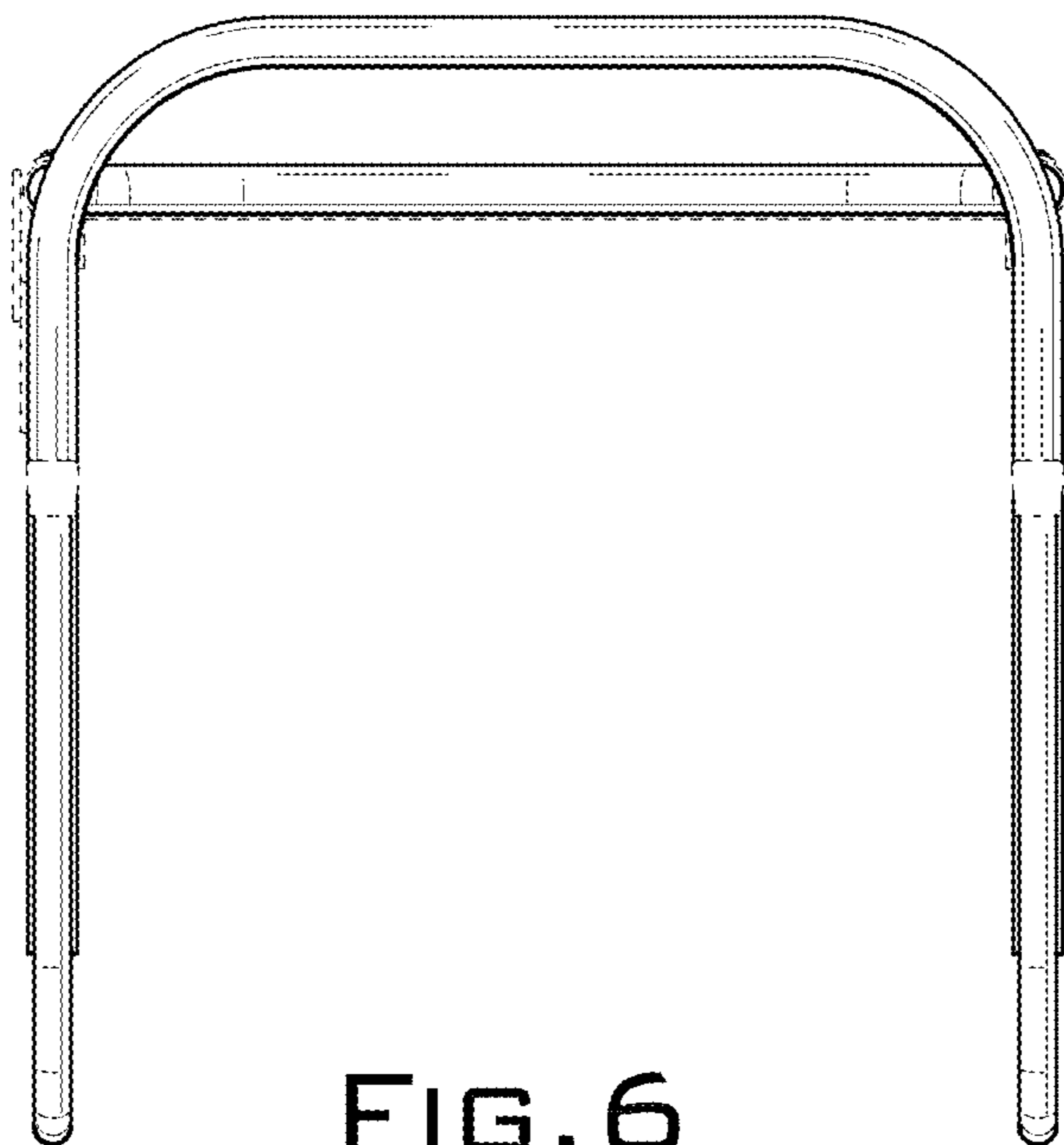


FIG. 6

FIG. 7

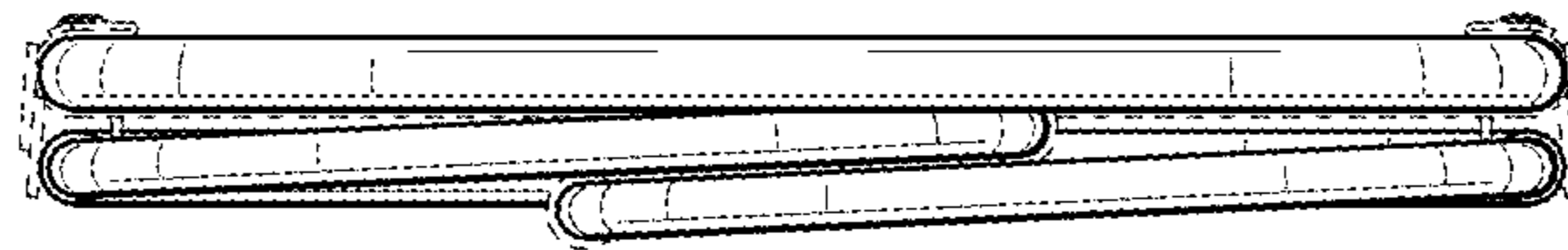
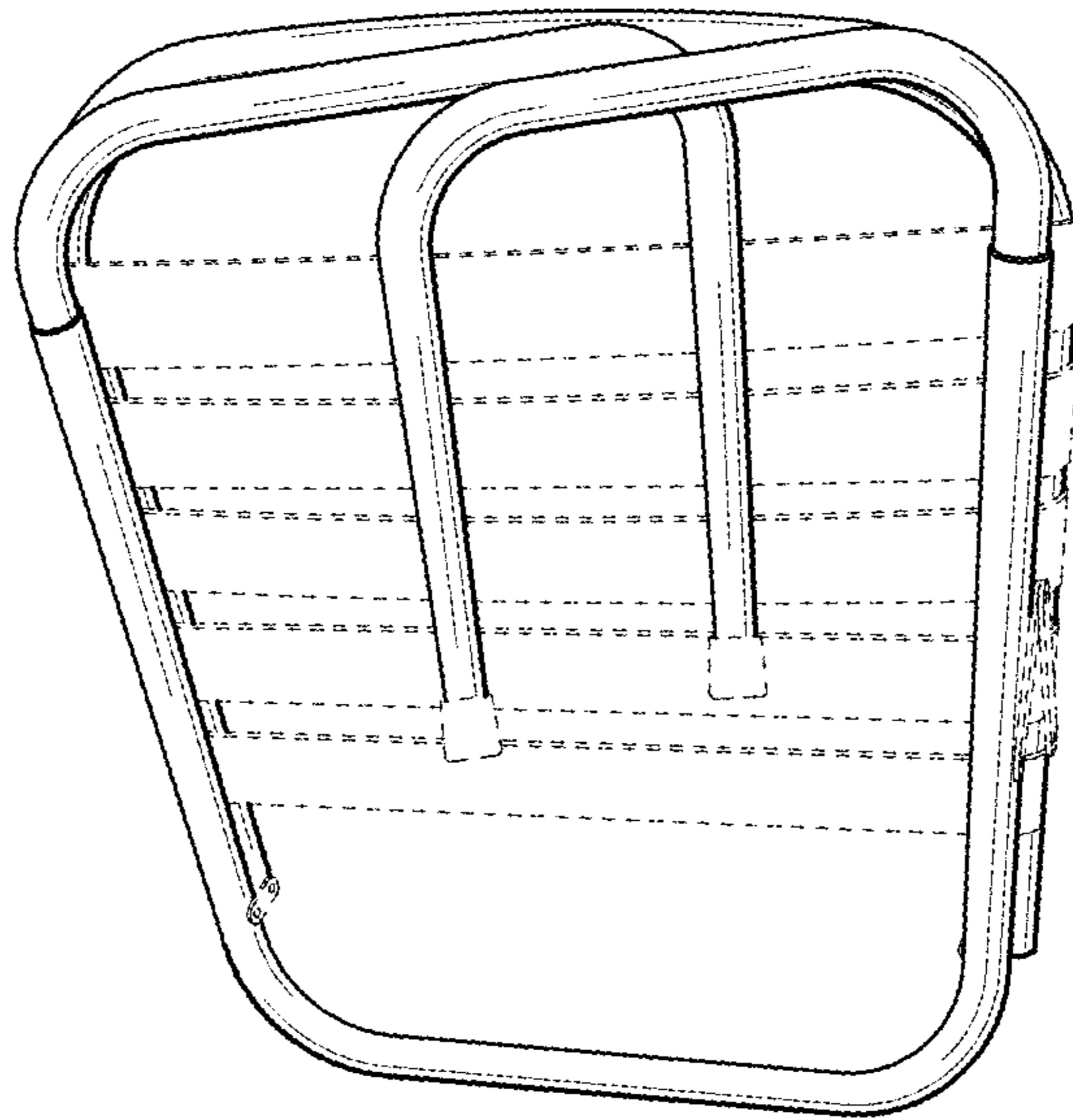


FIG. 10



FIG. 11

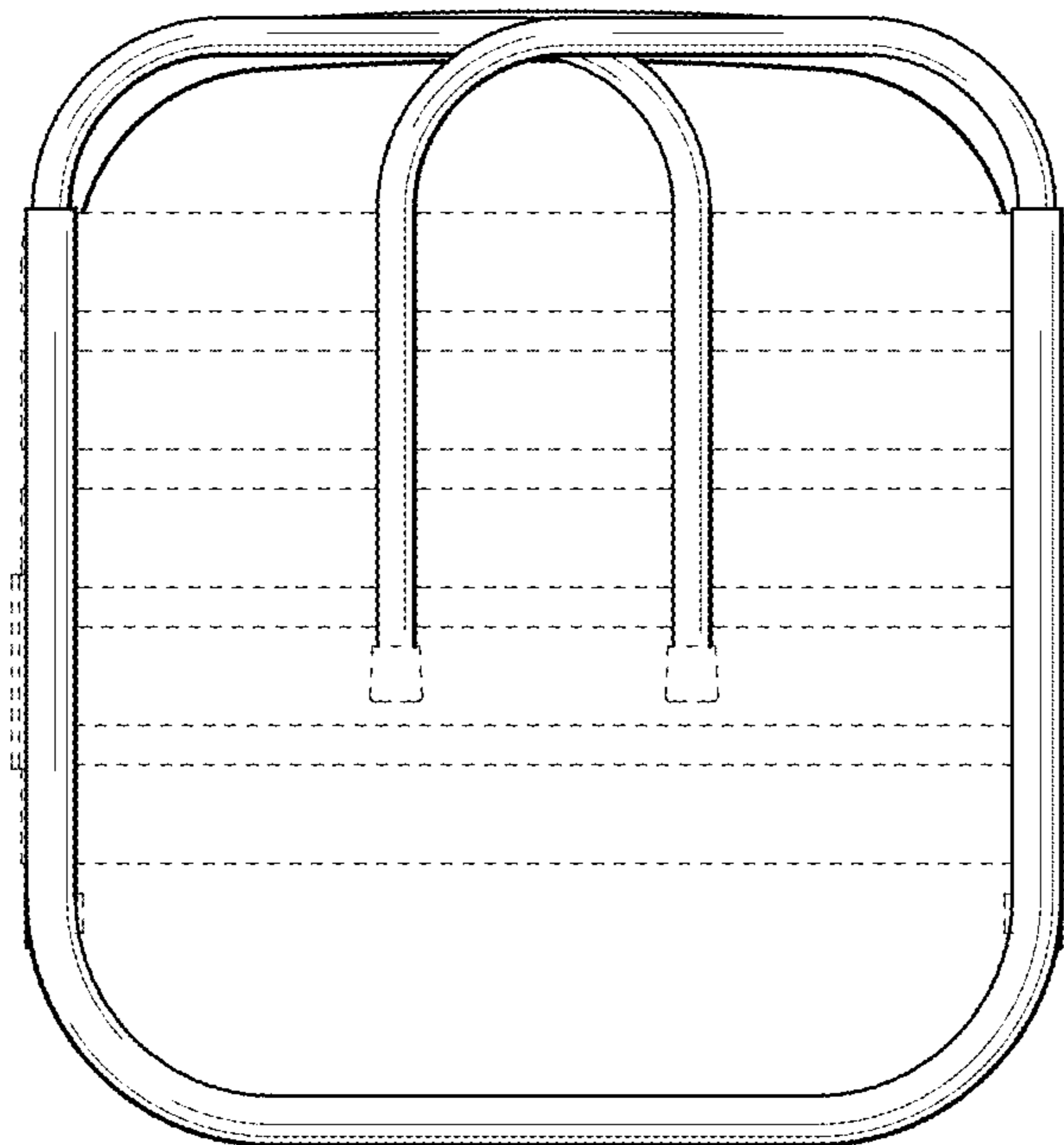


FIG. 8



FIG. 9