



US00D874174S

(12) **United States Design Patent**
Krouwel

(10) **Patent No.:** **US D874,174 S**
(45) **Date of Patent:** **** Feb. 4, 2020**

(54) **BENCH**
(71) Applicant: **STREETLIFE BV**, Leiden (NL)
(72) Inventor: **P. J. W. Krouwel**, Leiden (NL)
(**) Term: **15 Years**
(21) Appl. No.: **35/506,090**
(22) Filed: **Sep. 21, 2018**

(80) **Hague Agreement Data**

Int. Filing Date: **Sep. 21, 2018**
Int. Reg. No.: **DM/103631**
Int. Reg. Date: **Sep. 21, 2018**
Int. Reg. Pub. Date: **Nov. 23, 2018**

(51) **LOC (12) Cl.** **06-01**

(52) **U.S. Cl.**
USPC **D6/370**

(58) **Field of Classification Search**
USPC D6/334-336, 339, 342, 349, 352, 355,
D6/359, 368, 370-375, 379-381, 395,
D6/716, 716.1

CPC .. A47C 1/124; A47C 7/16; A47C 7/18; A47C
7/185; A47C 7/20; A47C 11/00; A47C
11/005; A47C 13/00

See application file for complete search history.

(56) **References Cited**

U.S. PATENT DOCUMENTS

753,778 A * 3/1904 Park A47C 4/10
297/54
D67,030 S * 4/1925 Haase D6/370
3,511,536 A * 5/1970 Suzuki A47C 4/022
297/452.63
D225,194 S * 11/1972 Ruth D6/370
D240,097 S * 6/1976 Box D6/370
D314,677 S * 2/1991 Hanna D6/370
5,649,743 A * 7/1997 Skalka A47C 7/26
297/445.1
6,189,965 B1 * 2/2001 Hecht A47B 85/00
297/124

D439,422 S * 3/2001 Hecht D6/336
6,299,251 B1 * 10/2001 Harper A47C 4/04
297/331
D522,775 S * 6/2006 Skalka D6/716.1
D569,122 S * 5/2008 Flaherty D6/381
D579,684 S * 11/2008 Skalka D6/381
D585,209 S * 1/2009 Skalka D6/381
D710,624 S * 8/2014 Skalka D6/370
D710,625 S * 8/2014 Skalka D6/370
D711,661 S * 8/2014 Vanderminde D6/370

(Continued)

FOREIGN PATENT DOCUMENTS

JP 2009165790 A * 7/2009 A47C 7/407

OTHER PUBLICATIONS

New Standard Benches (available online) Retrieved from the internet Sep. 3, 2019 from URL: <https://www.streetlife.nl/us/products/new-standard-benches>.*

Primary Examiner — George D. Kirschbaum

Assistant Examiner — Richard Kearney

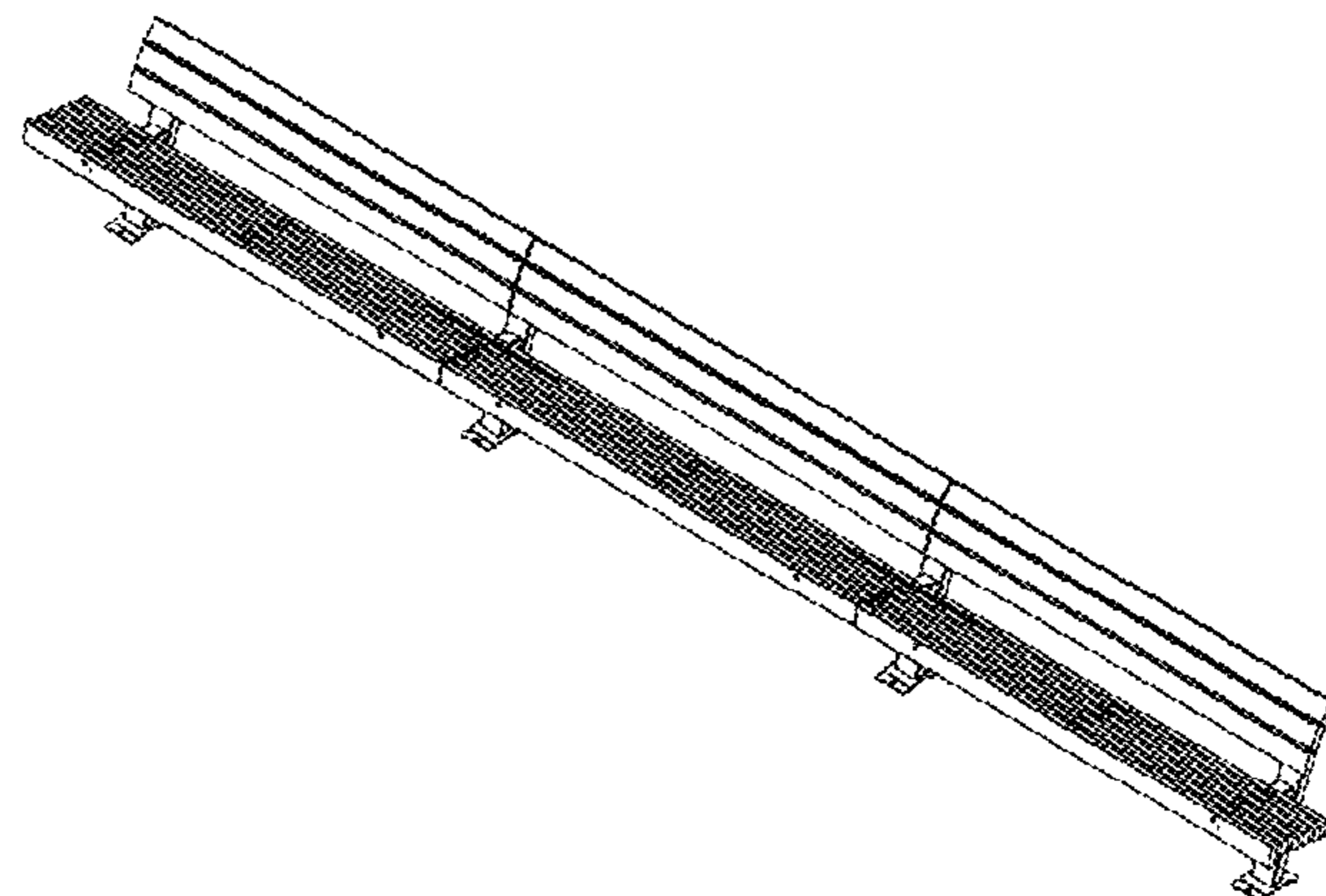
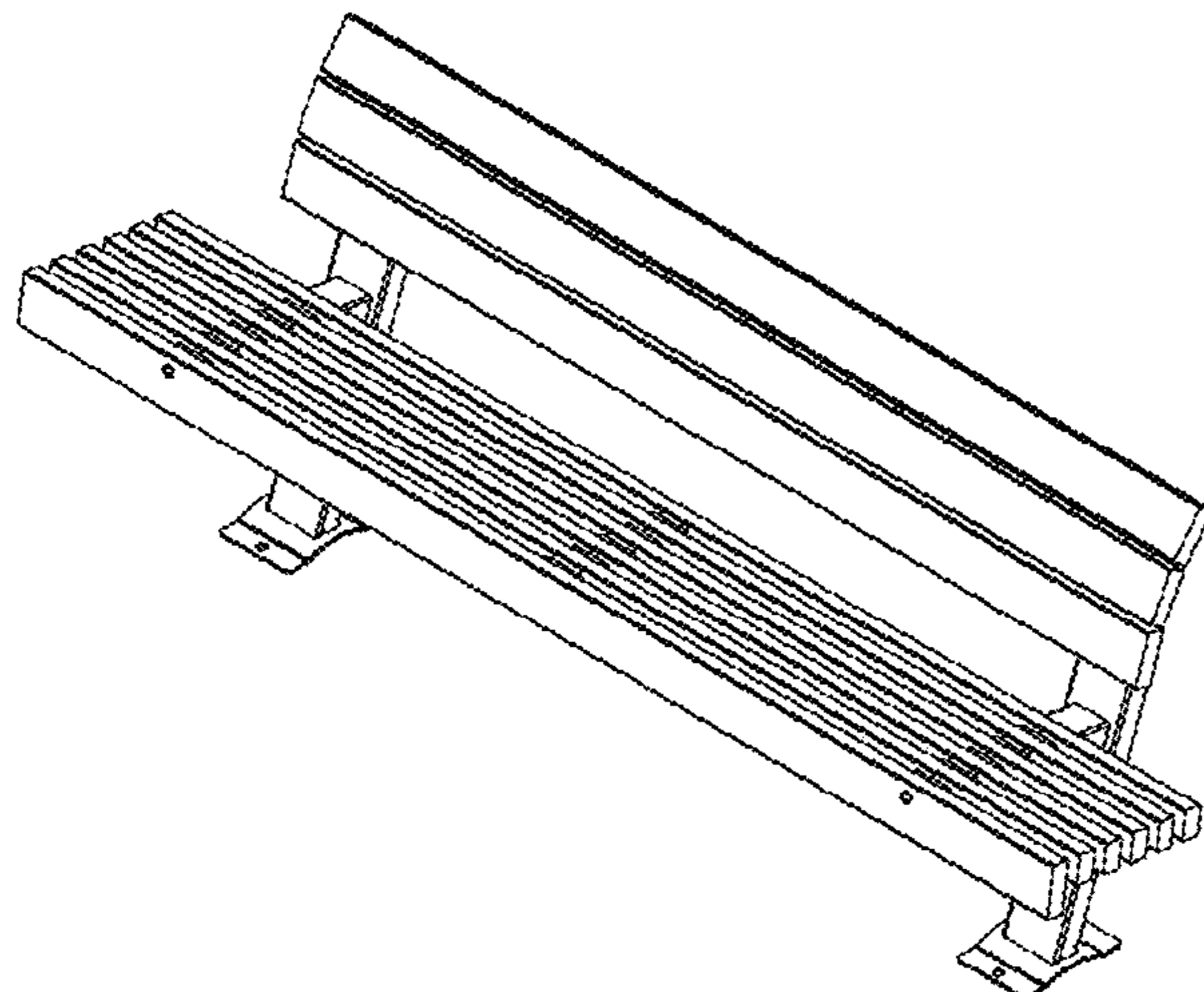
(57) **CLAIM**

The ornamental design for a bench, as shown and described.

DESCRIPTION

- 1.-3. Bench
- 1.1 Side
- 1.2 Top
- 1.3 perspective
- 1.4 Front
- 2.1 Side
- 2.2 Perspective
- 2.3 Front
- 2.4 Top
- 3.1 Side
- 3.2 Front
- 3.3 Perspective
- 3.4 Top

1 Claim, 12 Drawing Sheets



(56)

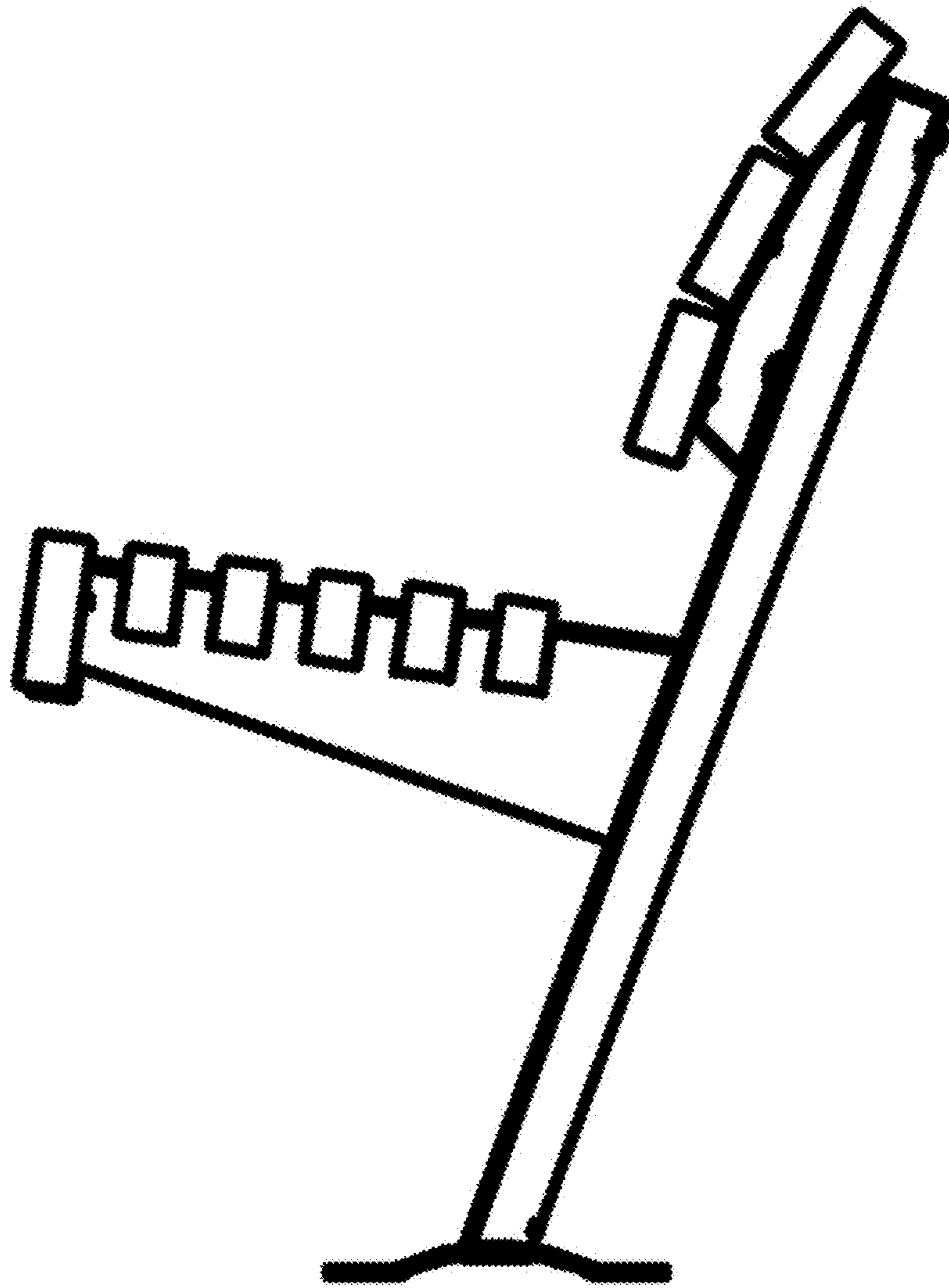
References Cited

U.S. PATENT DOCUMENTS

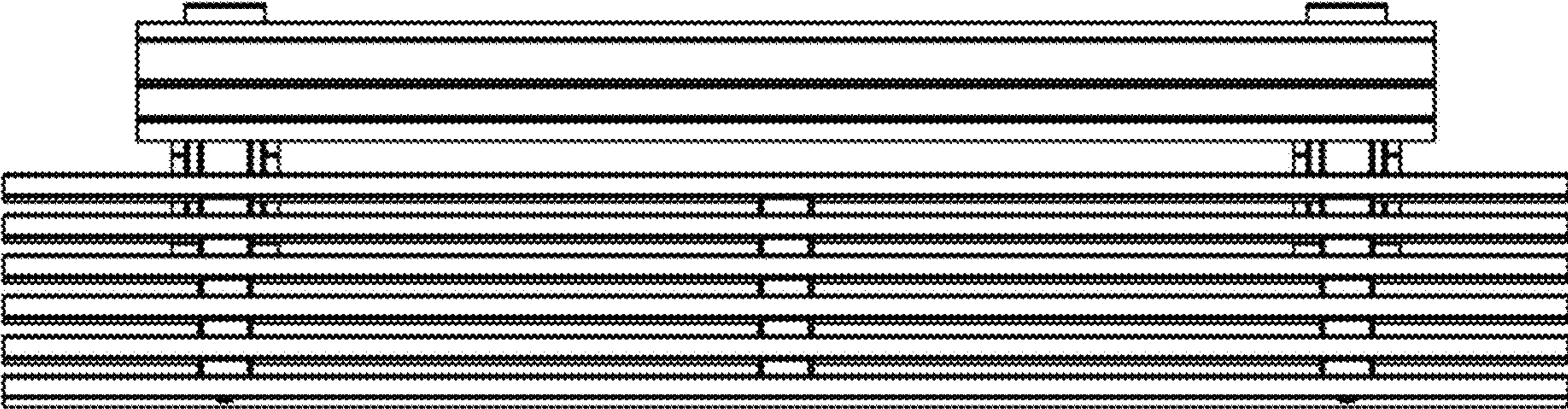
D719,368 S	*	12/2014	Karasek	D6/370
D724,341 S	*	3/2015	Mila Valcarcel	D6/370
D796,859 S	*	9/2017	Asner	D6/370
D798,076 S	*	9/2017	Asner	D6/370
D812,924 S	*	3/2018	Kirn	D6/370
D854,346 S	*	7/2019	Lawrence	A47C 7/02 D6/370

* cited by examiner

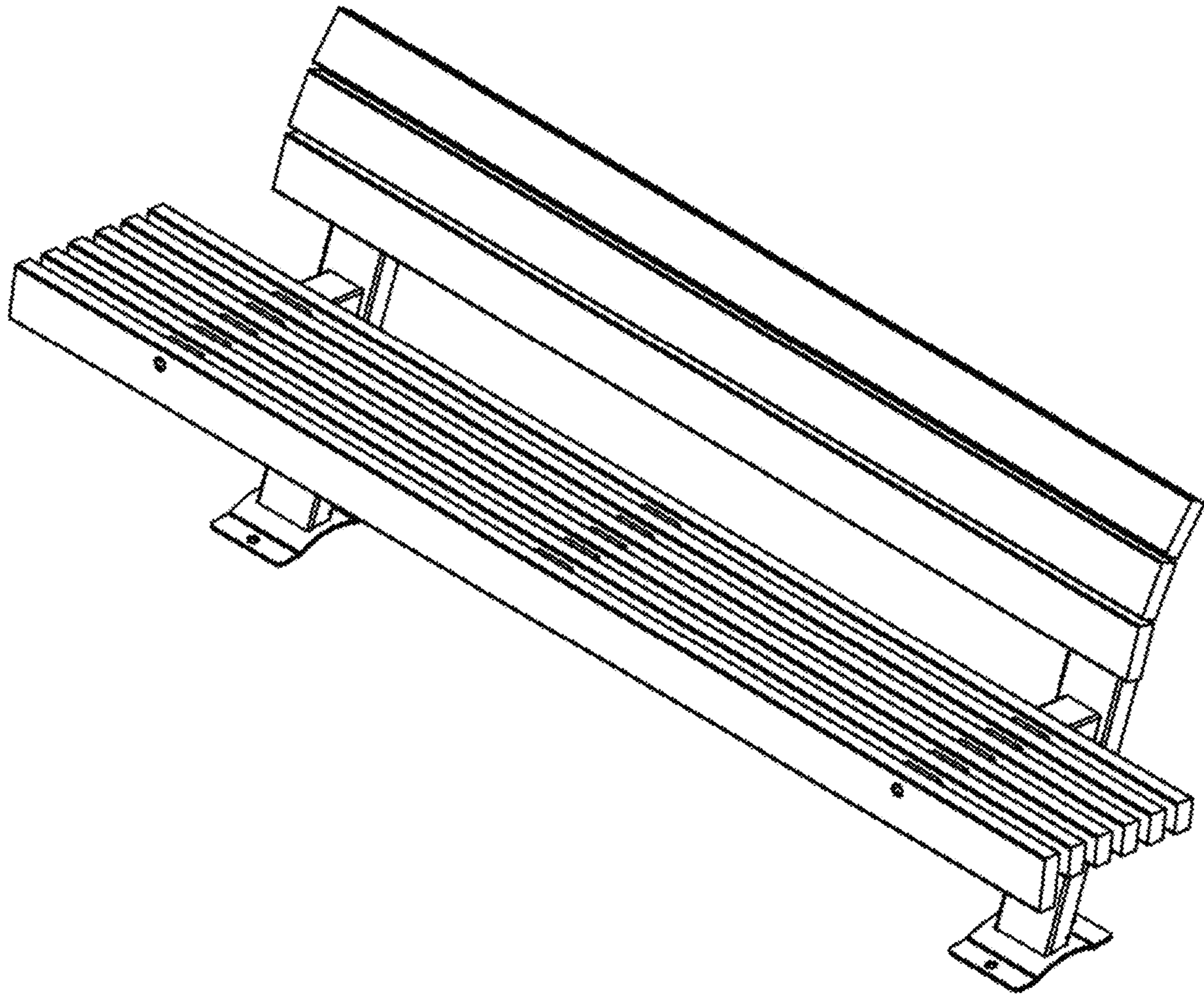
1.1



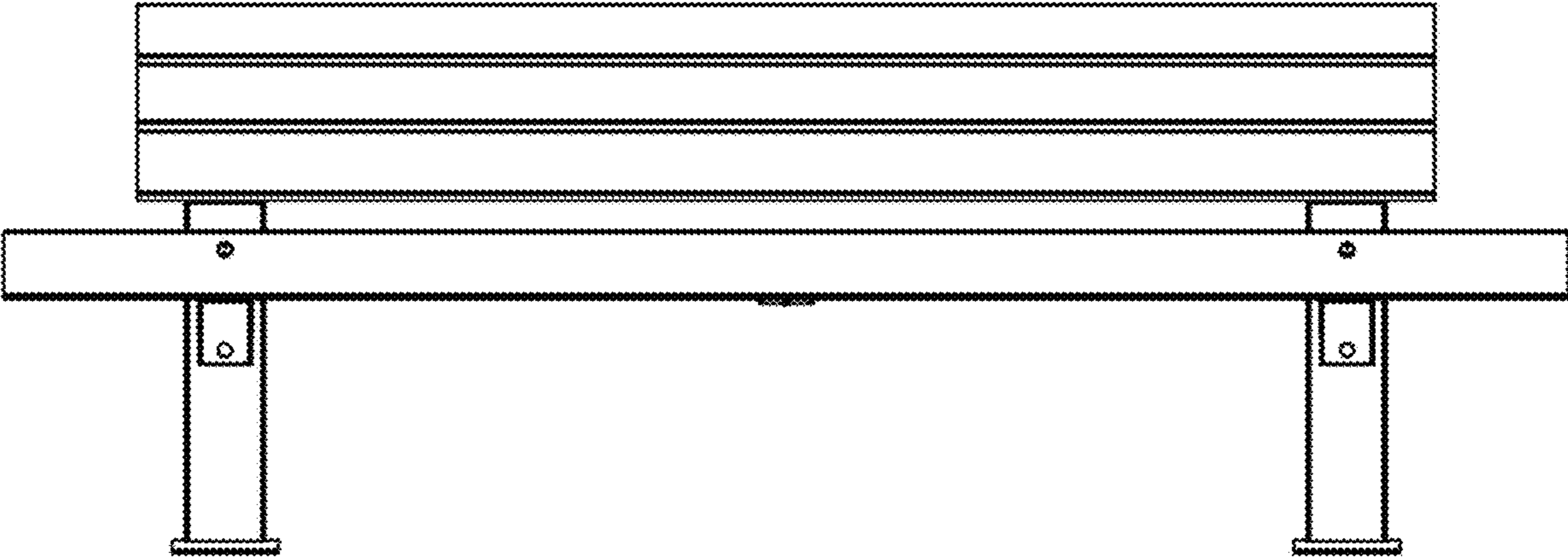
1.2



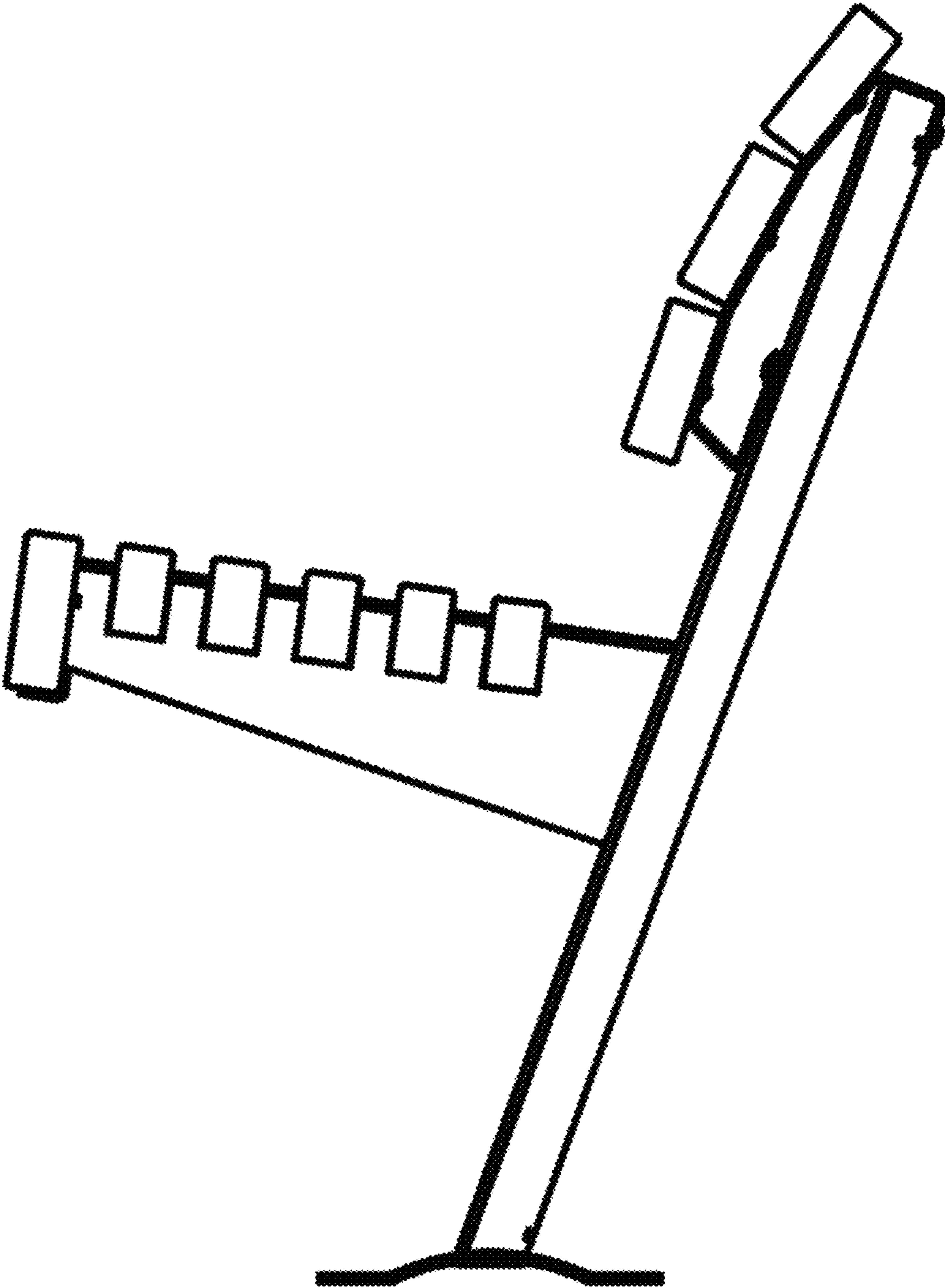
1.3



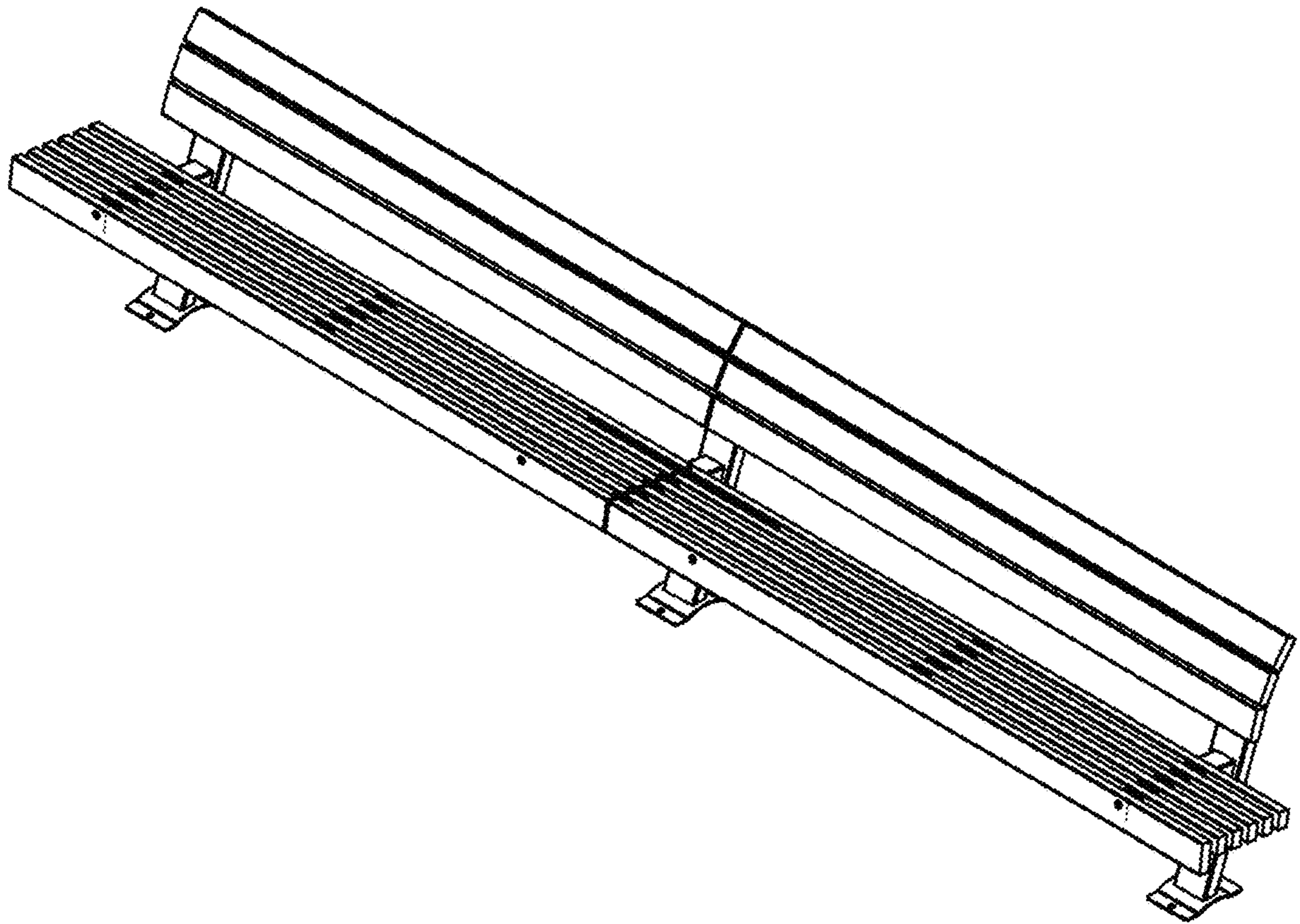
1.4



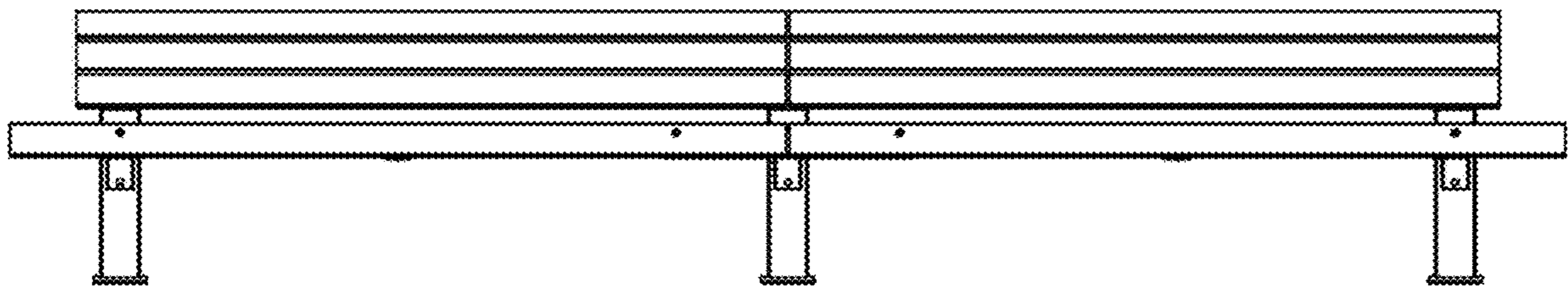
2.1



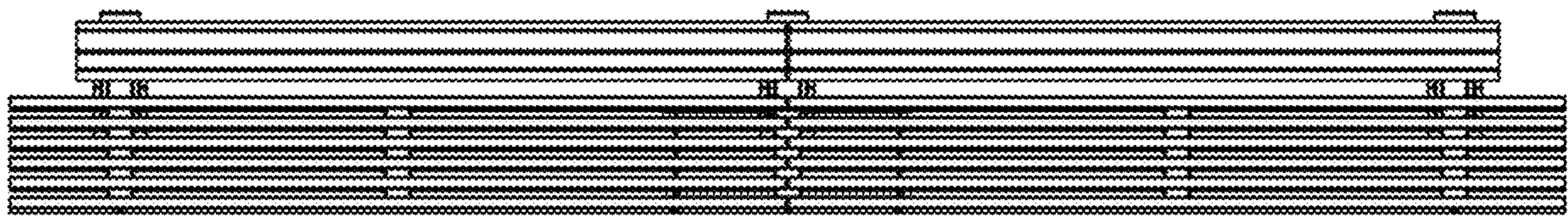
2.2



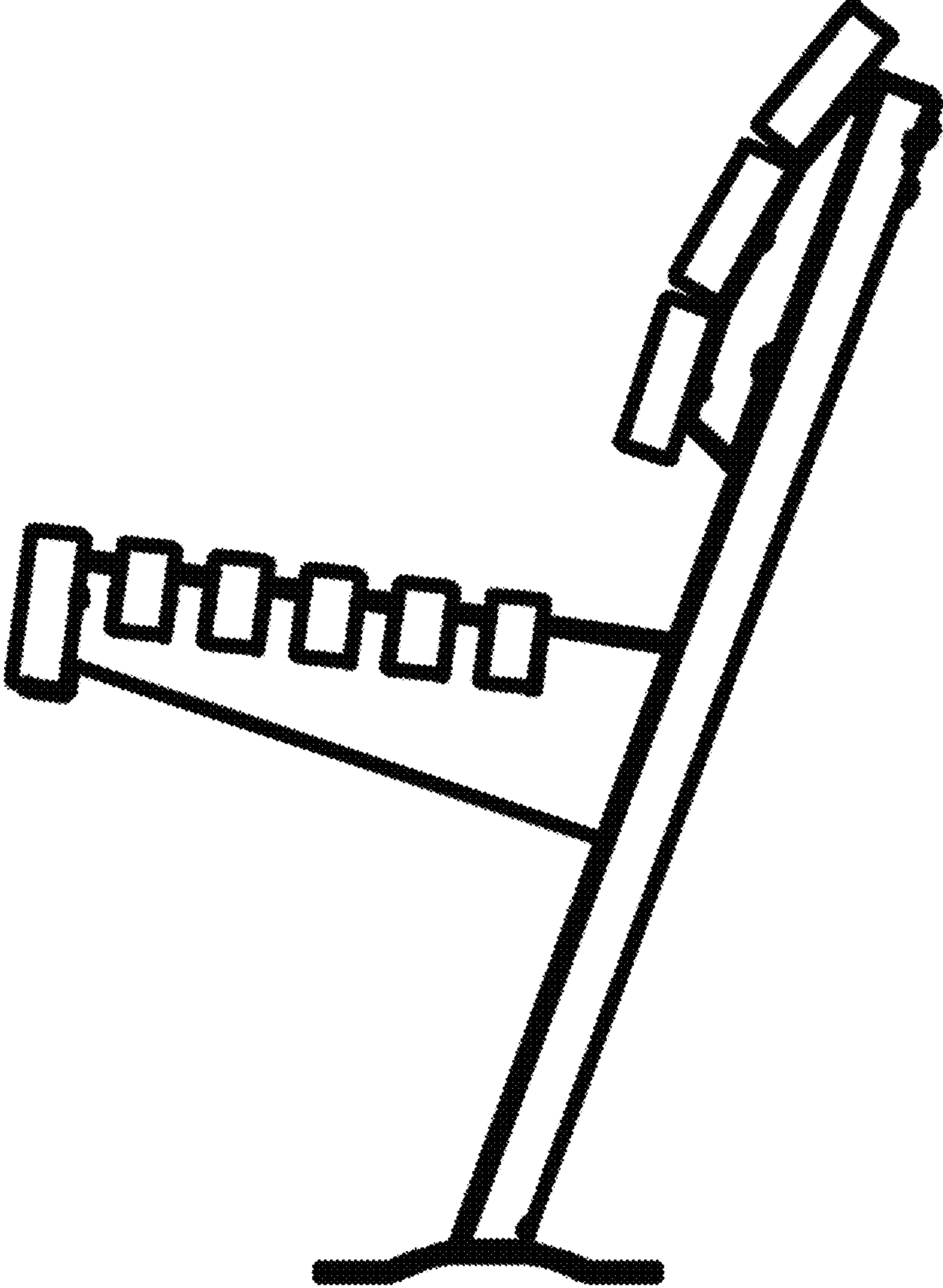
2.3



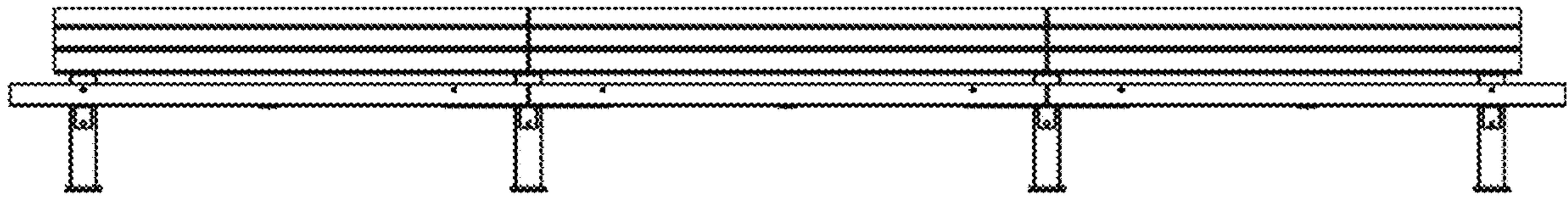
2.4



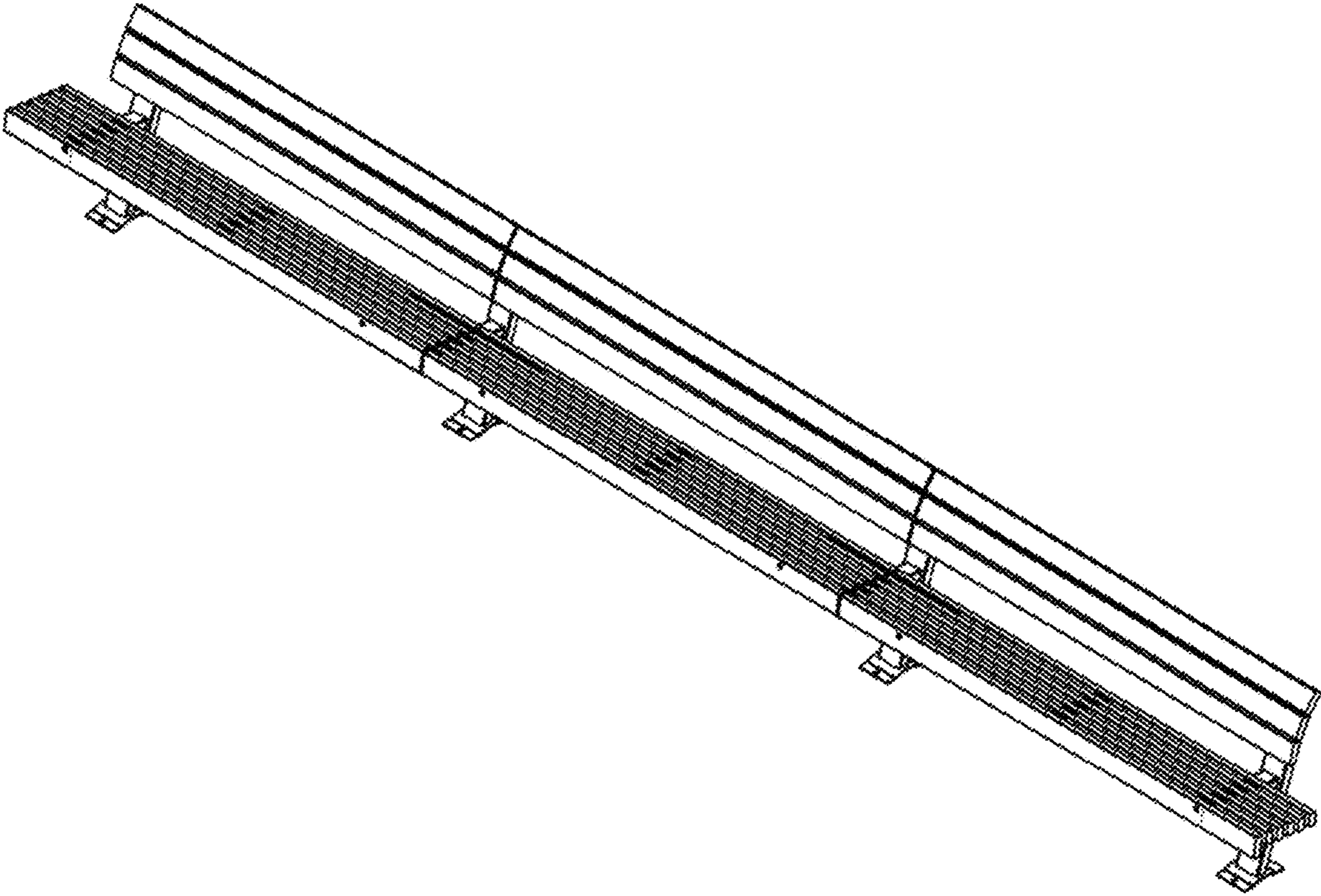
3.1



3.2



3.3



3.4

