



US00D874168S

(12) **United States Design Patent** (10) **Patent No.:** **US D874,168 S**
Weng (45) **Date of Patent:** **** Feb. 4, 2020**

(54) **ROCKING CHAIR**
(71) Applicant: **Ningbo Mentoriend International Trading Co., Ltd., Ningbo (CN)**
(72) Inventor: **Johnson Weng, Ningbo (CN)**
(73) Assignee: **NINGBO MENTORIEND INTERNATIONAL TRADING CO., LTD., Ningbo (CN)**
(**) Term: **15 Years**

D677,914 S *	3/2013	Cardenas	D6/347
D728,949 S *	5/2015	Fang	D6/348
D728,950 S *	5/2015	Fang	D6/348
D734,620 S *	7/2015	Fang	D6/347
D734,954 S *	7/2015	Wang	D6/361
D751,833 S *	3/2016	Lv	D6/348
D781,060 S *	3/2017	Zhang	D6/348
D799,838 S *	10/2017	Lv	D6/347
D801,710 S *	11/2017	Weng	D6/347
D804,836 S *	12/2017	Lieberman	D6/347
D823,012 S *	7/2018	Yu	D6/348
D840,183 S *	2/2019	Rideau	D6/716
D843,744 S *	3/2019	Weng	D6/347
D848,193 S *	5/2019	Furuland	D6/718

(21) Appl. No.: **29/637,658**
(22) Filed: **Feb. 20, 2018**
(51) **LOC (12) Cl.** **06-01**
(52) **U.S. Cl.**
USPC **D6/348**
(58) **Field of Classification Search**
USPC D6/347, 348, 361, 716, 718; D12/52
CPC A45F 3/22; A45F 3/24; A45F 3/26; A47D
13/10; A47D 13/105; A47C 1/14; A47C
3/0255; A47C 3/029; A47C 3/027; A47C
3/02; A47C 3/04; A47C 3/34; A47C 4/02;
A47C 4/03; A47C 4/04; A47C 5/12;
A47C 7/52; A47C 7/506; A47C 9/007;
A47C 15/008; A47C 17/84; A47C 31/00;
A63G 9/00; A63G 9/02; Y10S 135/909;
Y10T 403/32409
See application file for complete search history.

OTHER PUBLICATIONS

“VonHaus Textoline Rocking Sun Lounger—Outdoor Relaxing Chair for Garden, Patio, Deck” Mar. 16, 2017, amazon.co.uk, site visited Sep. 23, 2019 <<https://amzn.to/2l5XMUp>> (Year: 2017).*

* cited by examiner

Primary Examiner — Kevin K Rudzinski
Assistant Examiner — Paul D Bohannon
(74) *Attorney, Agent, or Firm* — Matthias Scholl P.C.;
Matthias Scholl

(57) **CLAIM**

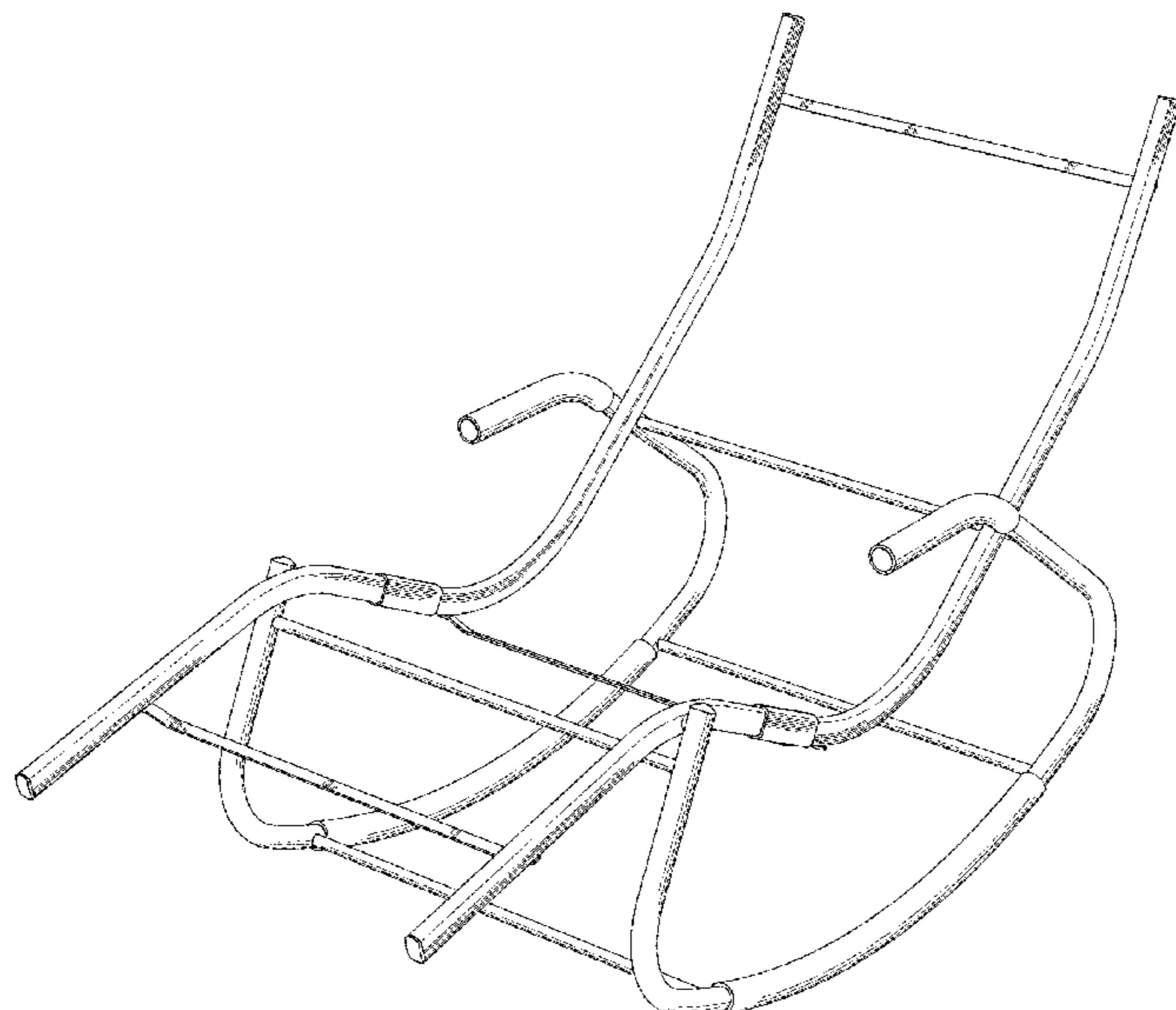
The ornamental design for a rocking chair, as shown and described.

DESCRIPTION

FIG. 1 is a front elevation view of a rocking chair;
FIG. 2 is a rear elevation view thereof;
FIG. 3 is a left-side elevation view thereof;
FIG. 4 is a right-side elevation view thereof;
FIG. 5 is a top plan view thereof;
FIG. 6 is a bottom plan view thereof; and,
FIG. 7 is a perspective view thereof.

1 Claim, 7 Drawing Sheets

(56) **References Cited**
U.S. PATENT DOCUMENTS
D236,046 S * 7/1975 Ginat D6/348
D241,289 S * 9/1976 Lishman D6/348
D279,050 S * 6/1985 Tietz D6/348
D335,036 S * 4/1993 Simmons 4/579
D379,270 S * 5/1997 Voyce D6/347
D548,472 S * 8/2007 Habing D6/347
D565,852 S * 4/2008 Wang D6/348



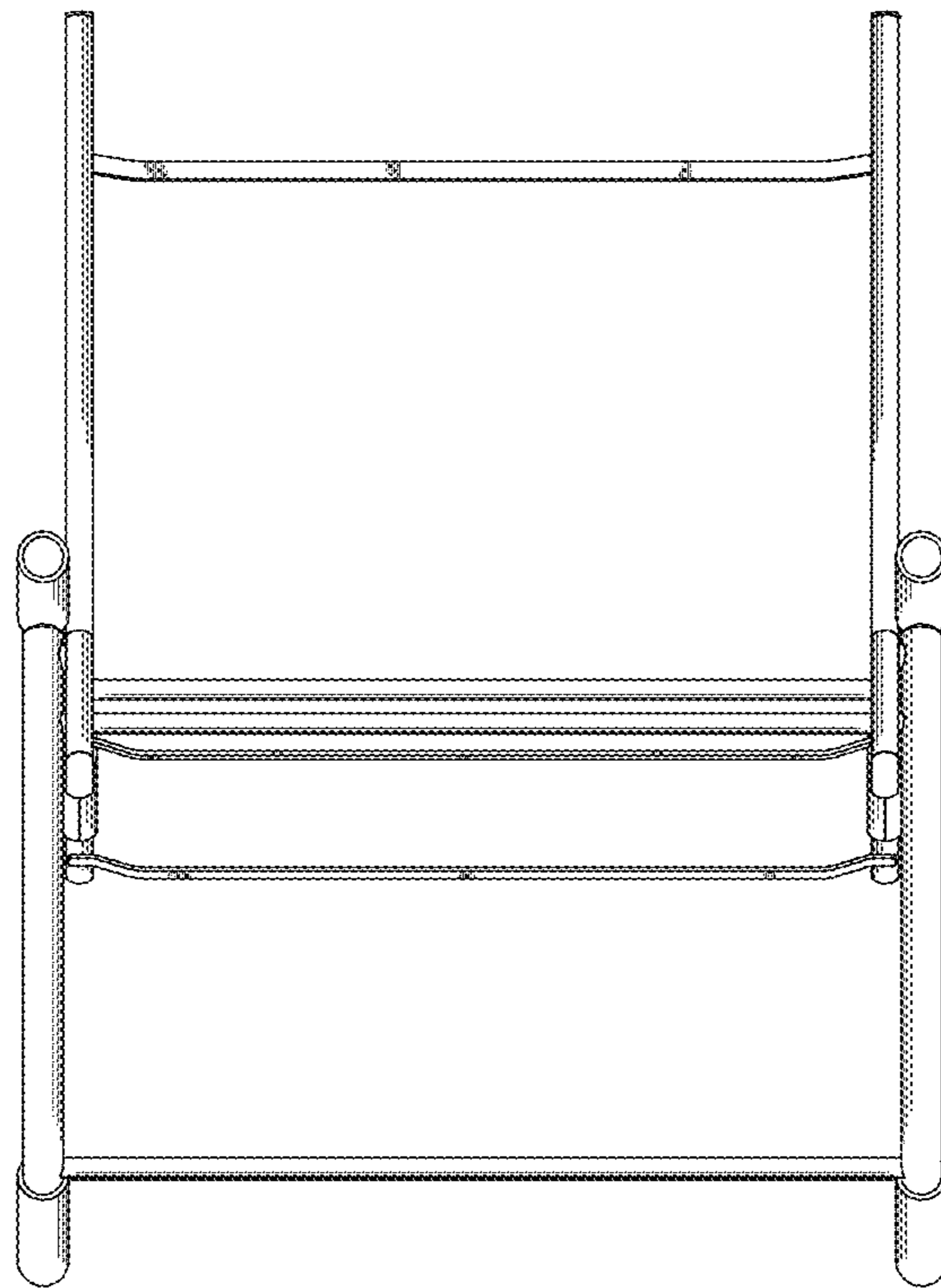


FIG. 1

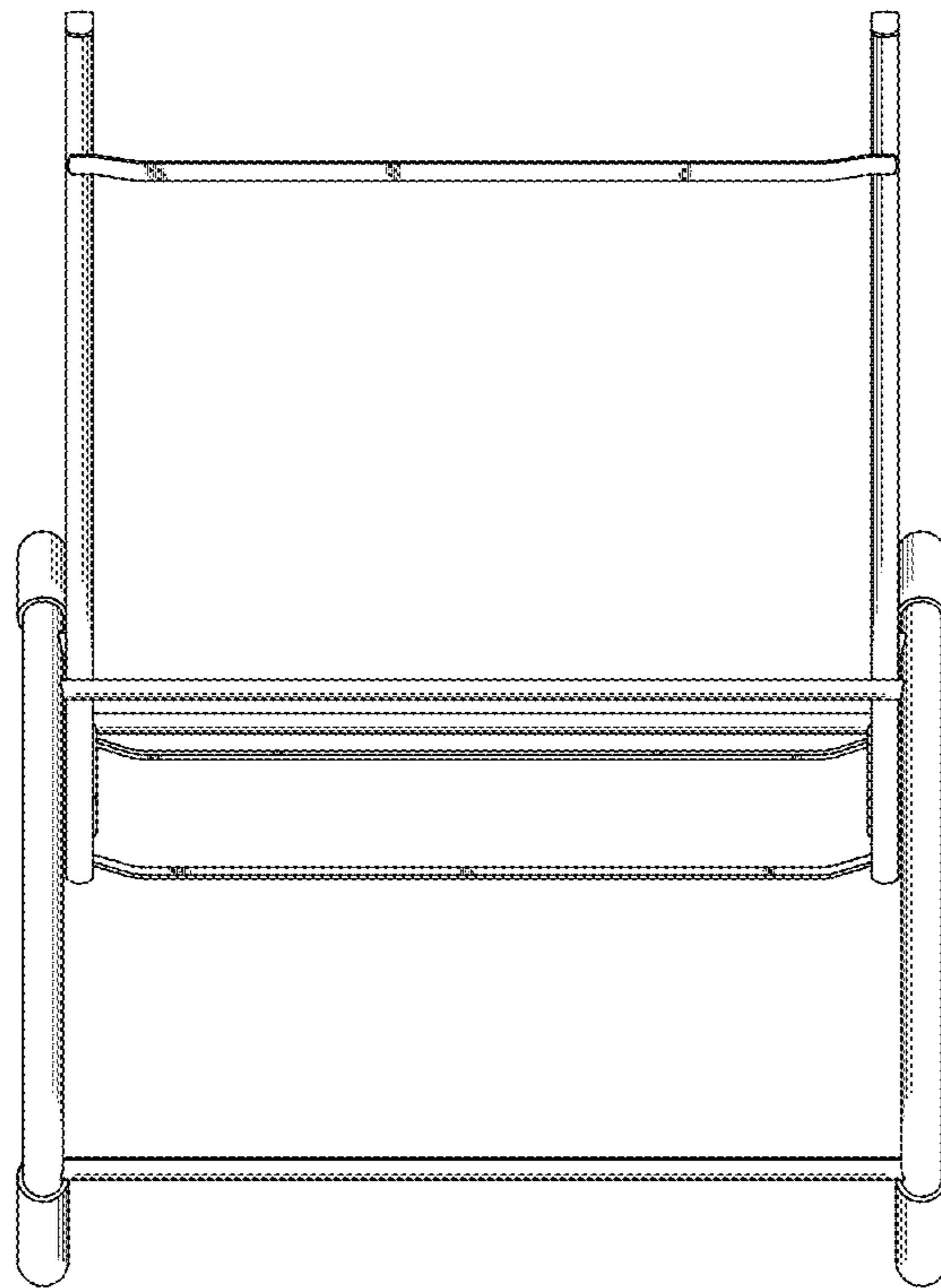


FIG. 2

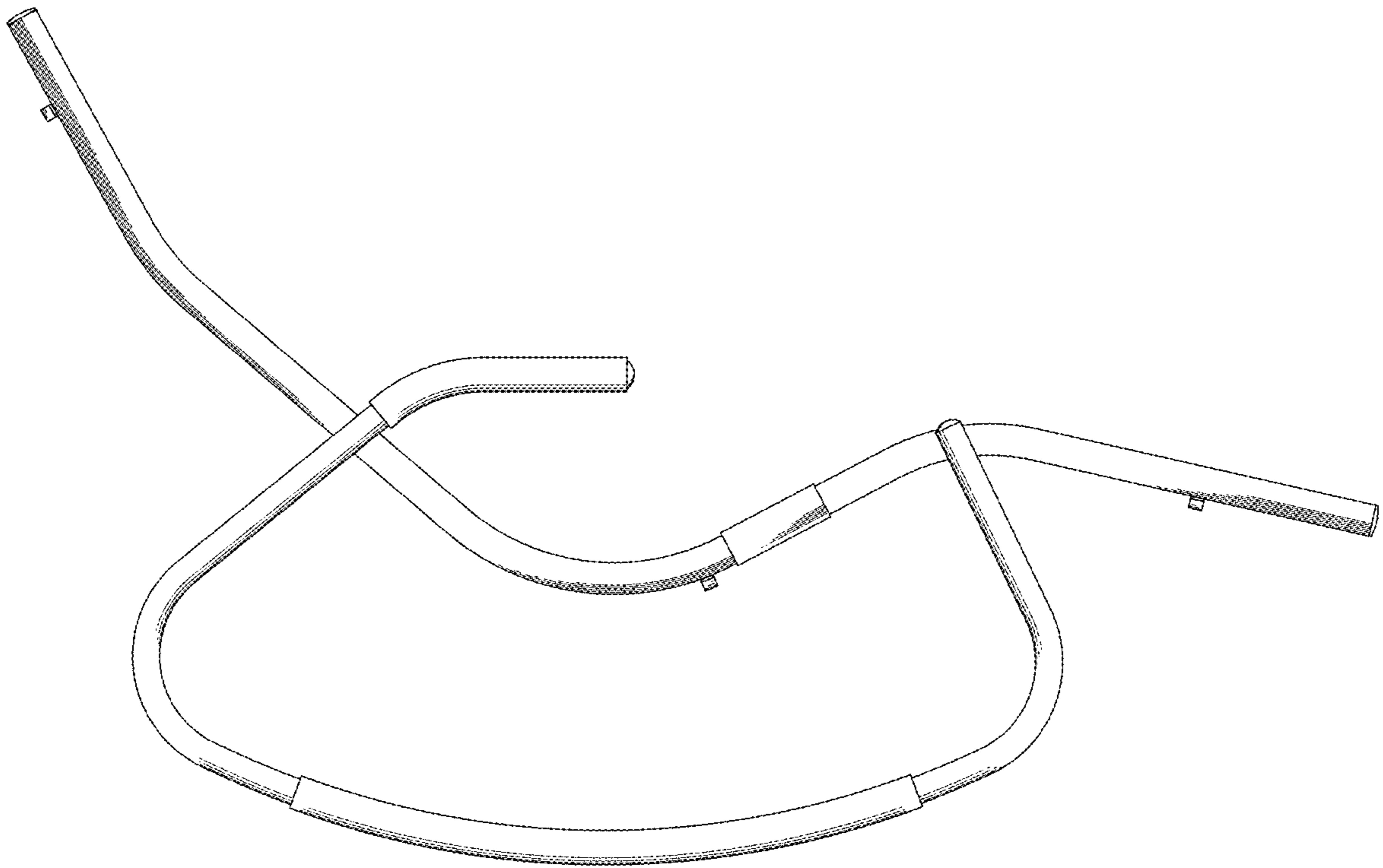


FIG. 3

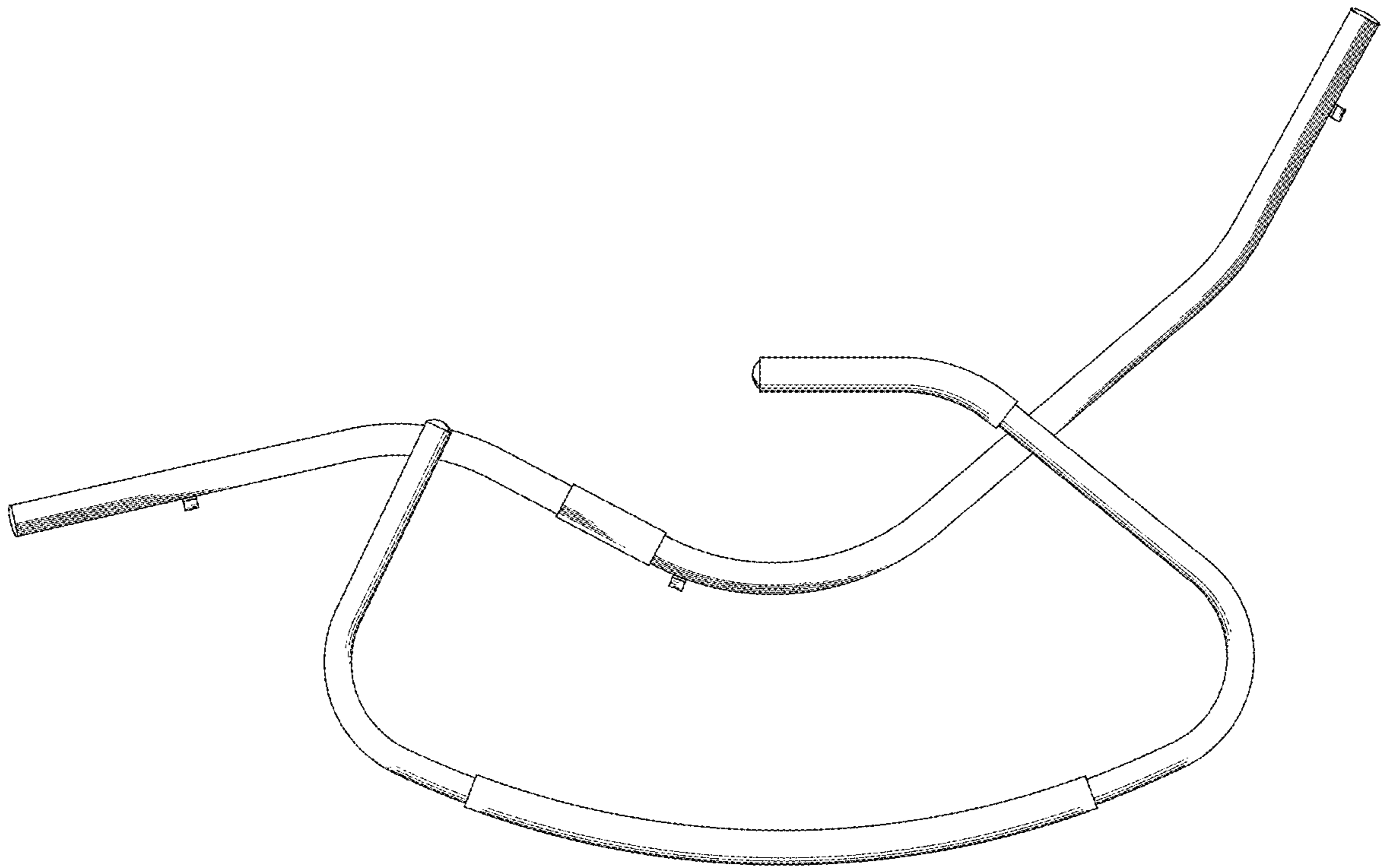


FIG. 4

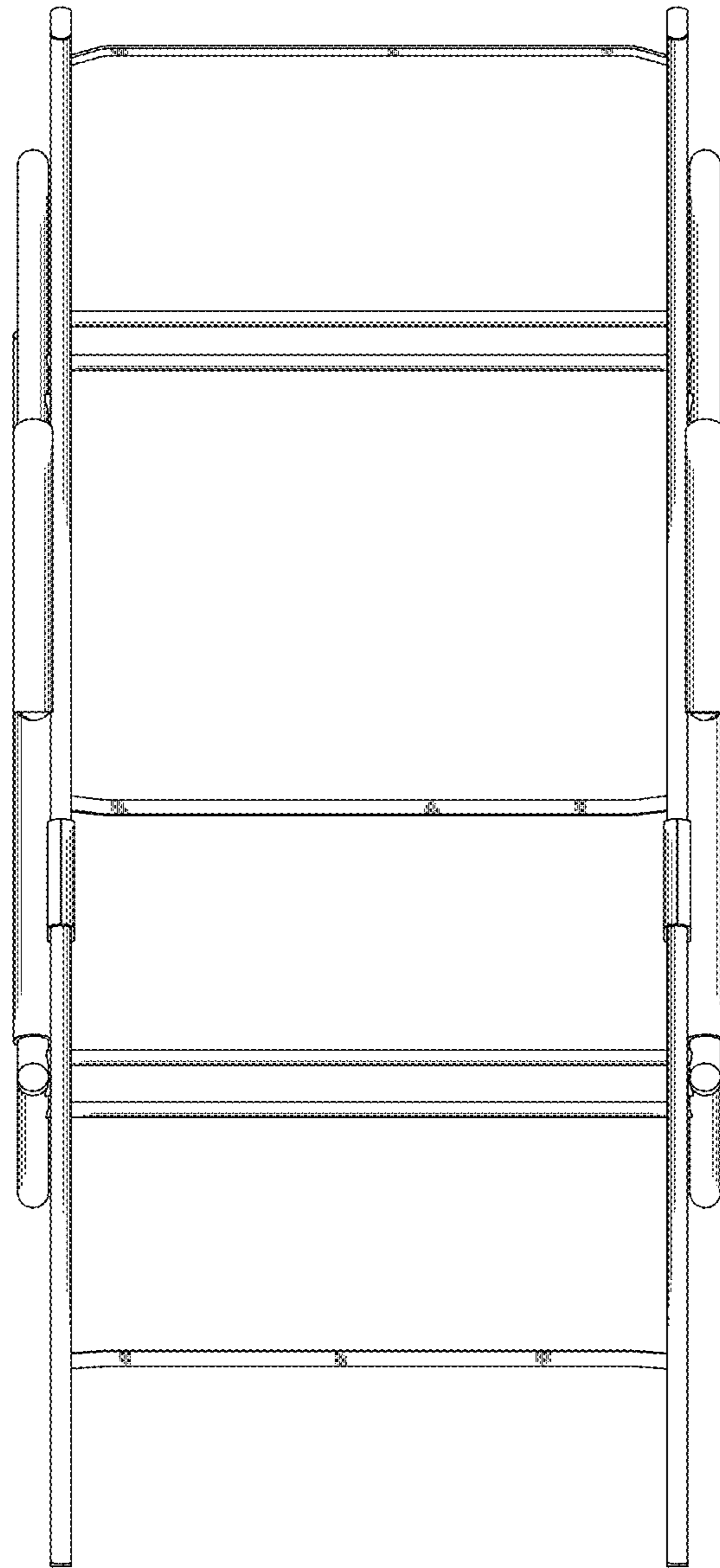


FIG. 5

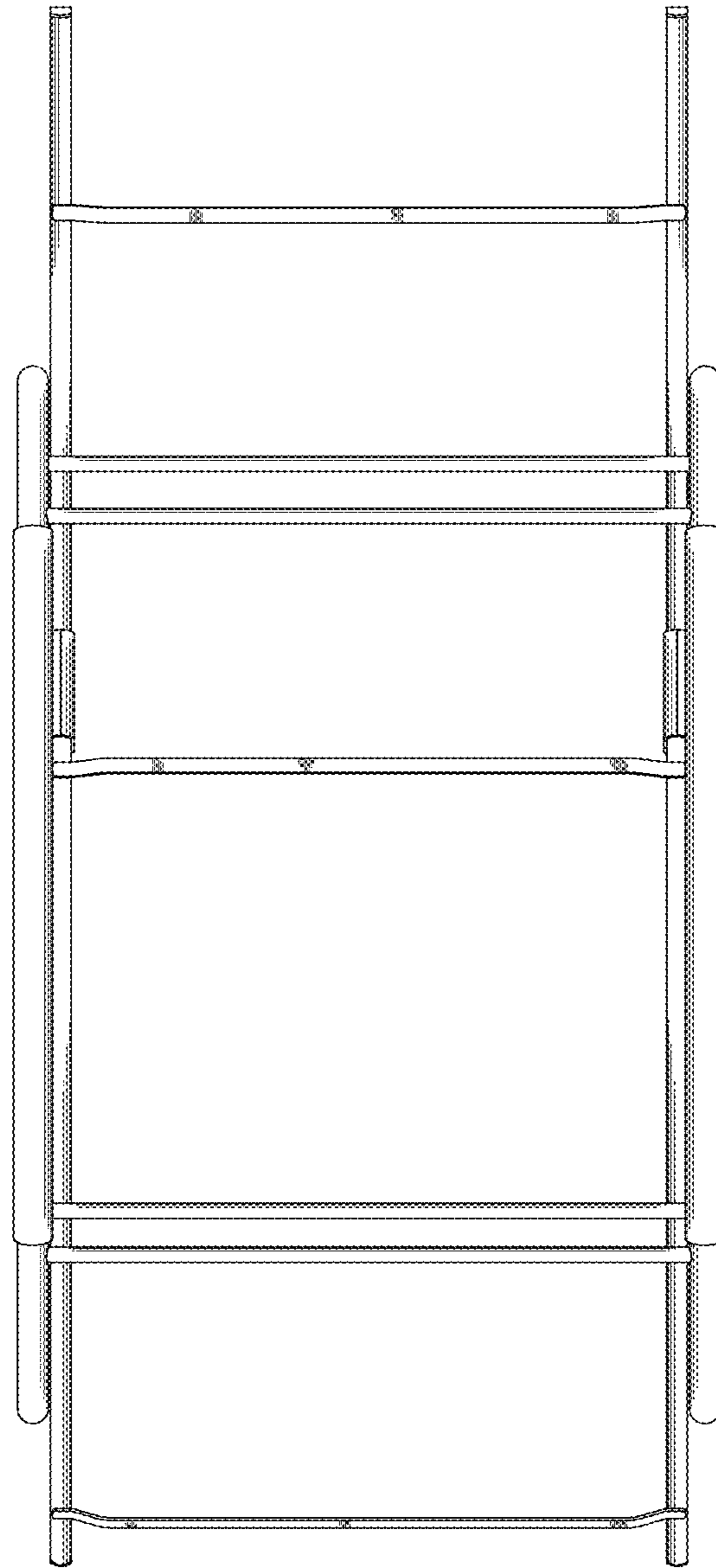


FIG. 6

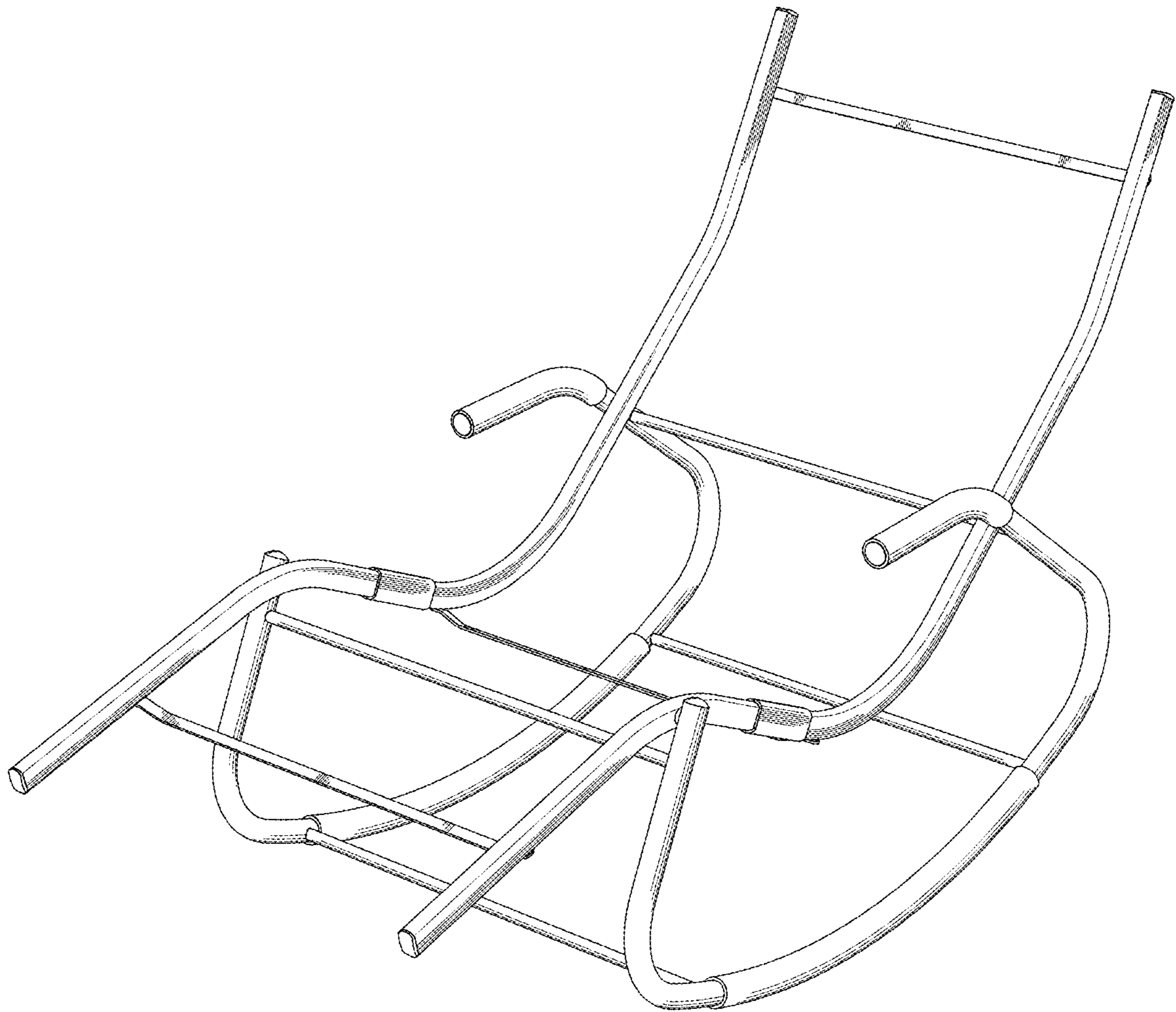


FIG. 7