



US00D874167S

(12) **United States Design Patent** (10) **Patent No.:** **US D874,167 S**
Tian (45) **Date of Patent:** **** Feb. 4, 2020**

(54) **ACCENT CHAIR**

(71) Applicant: **Qingwang Tian**, Shenzhen (CN)

(72) Inventor: **Qingwang Tian**, Shenzhen (CN)

(**) Term: **15 Years**

(21) Appl. No.: **29/706,246**

(22) Filed: **Sep. 19, 2019**

(51) **LOC (12) Cl.** **06-01**

(52) **U.S. Cl.**
USPC **D6/334; D6/368**

(58) **Field of Classification Search**
USPC D6/334, 335, 336, 366, 367, 368, 369,
D6/370, 374, 375-381
CPC .. A47C 1/00; A47C 3/12; A47C 17/00; A47C
17/02; A47C 13/005

See application file for complete search history.

(56) **References Cited**

U.S. PATENT DOCUMENTS

D158,046	S	*	4/1950	Carr	D6/334
2,605,820	A	*	8/1952	Powellek	A47C 4/02 297/411.27
D188,488	S	*	8/1960	Otto	D6/334
3,973,800	A	*	8/1976	Kogan	A47C 13/005 297/440.23
D532,984	S	*	12/2006	Bernett	D6/367
D549,470	S	*	8/2007	Hutton	D6/334
D657,148	S	*	4/2012	Ciani	D6/334
D699,043	S	*	2/2014	McNae	D6/335
D773,837	S	*	12/2016	Bougay	D6/334
D850,893	S	*	6/2019	Lissoni	D8/381
D859,014	S	*	9/2019	Lopez	D6/334
D862,095	S	*	10/2019	Young	D6/334

OTHER PUBLICATIONS

“Stone & Beam Cheyanne Modern Living Room Accent Arm Chair. 30.7"W, Caviar”, Retrieved Sep. 19, 2019]. Retrieved from Internet, <https://www.amazon.com/Stone-Beam-Cheyanne-Modern-Living/dp/B07CB5GT3M>.

“Acme Balin White Faux Leather Accent Chair”, Retrieved Sep. 19, 2019]. Retrieved from Internet, <https://www.amazon.com/Balin-White-Leather-Accent-Chair/dp/B006UJZO4W>.

“Best Selling Davis Recliner Ciub Chair, Grey”, Retrieved Sep. 19, 2019]. Retrieved from Internet, <https://www.amazon.com/Best-Selling-Davis-Recliner-Chair/dp/B00A50PMPS>.

* cited by examiner

Primary Examiner — Deanna L Pratt

(57) **CLAIM**

The ornamental design for an accent chair, as shown and described.

DESCRIPTION

FIG. 1 is a perspective view of an accent chair showing my new design;

FIG. 2 is another perspective view thereof;

FIG. 3 is a front elevational view thereof;

FIG. 4 is a rear elevational view thereof;

FIG. 5 is a left side elevational view thereof;

FIG. 6 is a right side elevational view thereof;

FIG. 7 is a top plan view thereof;

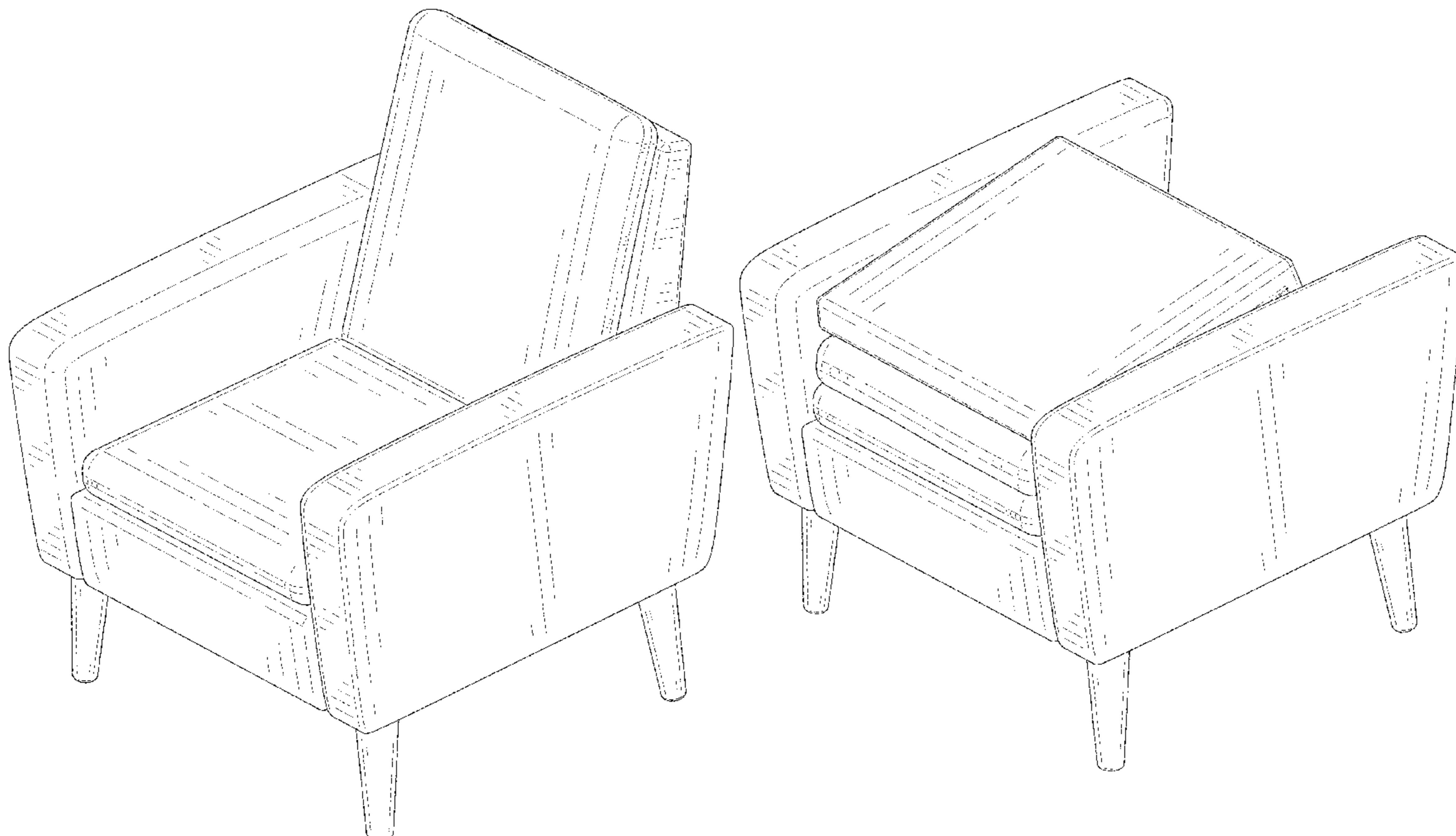
FIG. 8 is a bottom plan view thereof;

FIG. 9 is a perspective view of the accent chair where the chair back is separated from the chair body; and,

FIG. 10 is a perspective view of the accent chair where the accent chair is in a folded state.

The broken lines in the drawings depict portions of the accent chair that form no part of the claimed design.

1 Claim, 10 Drawing Sheets



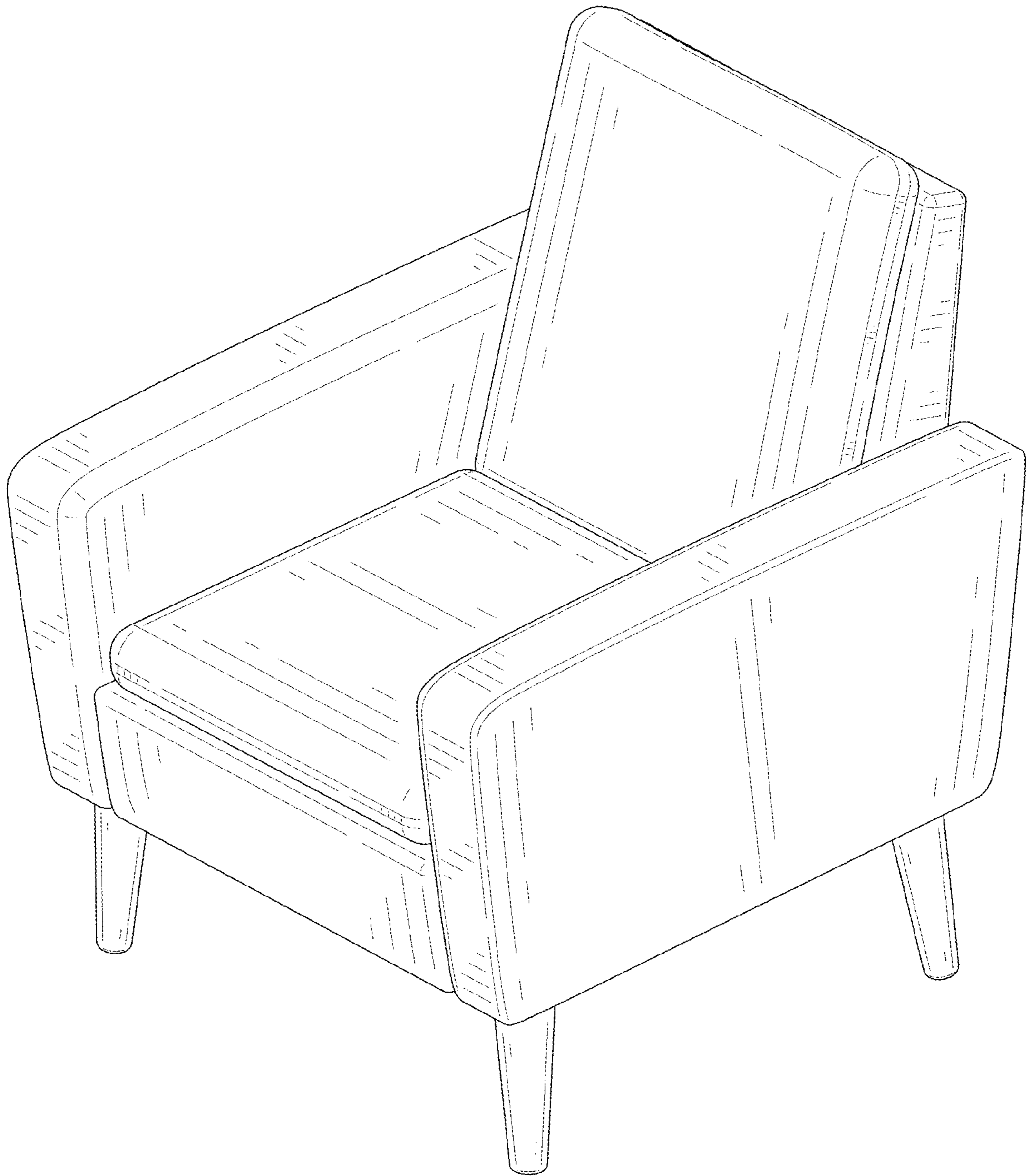


FIG. 1

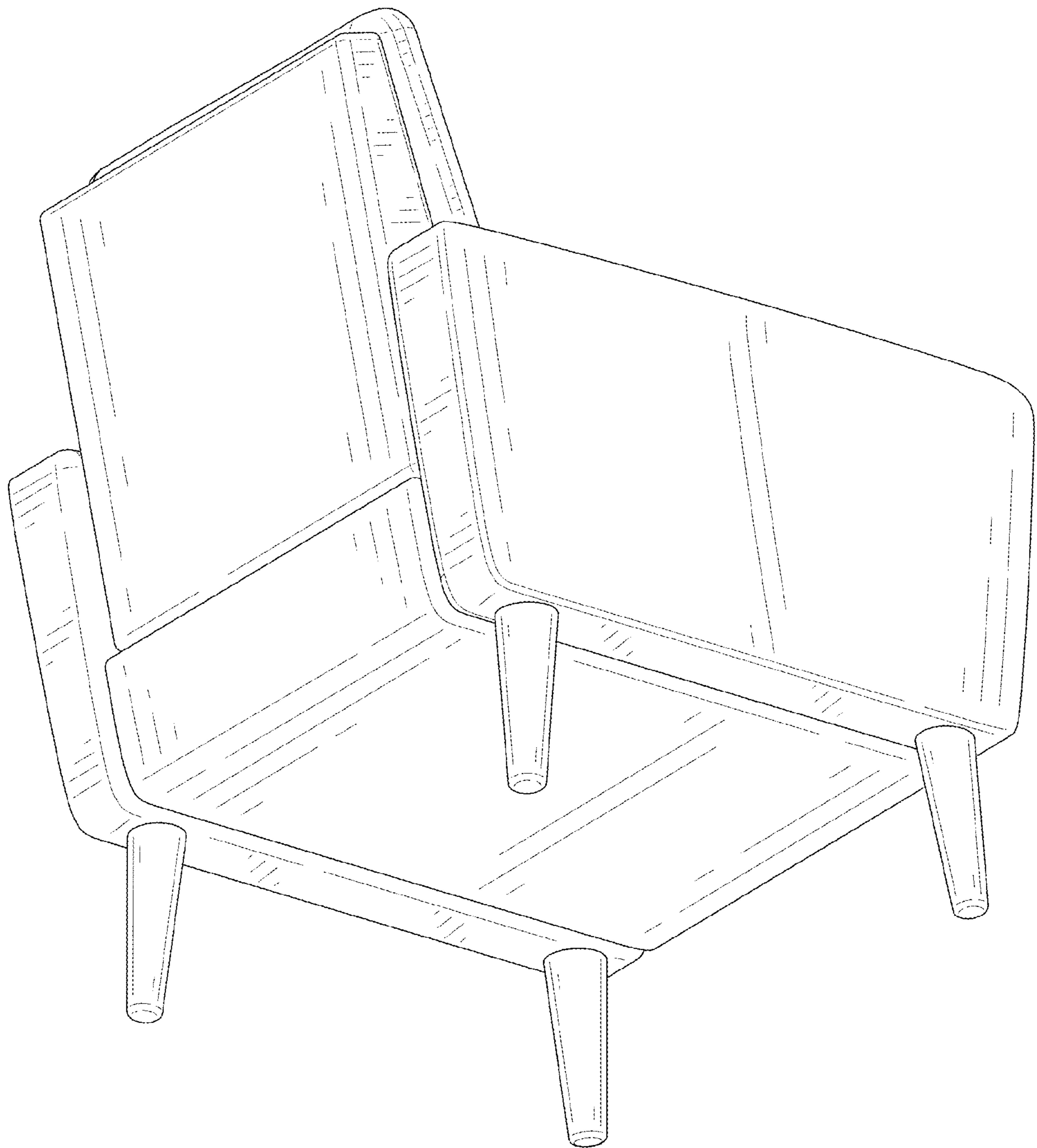


FIG. 2

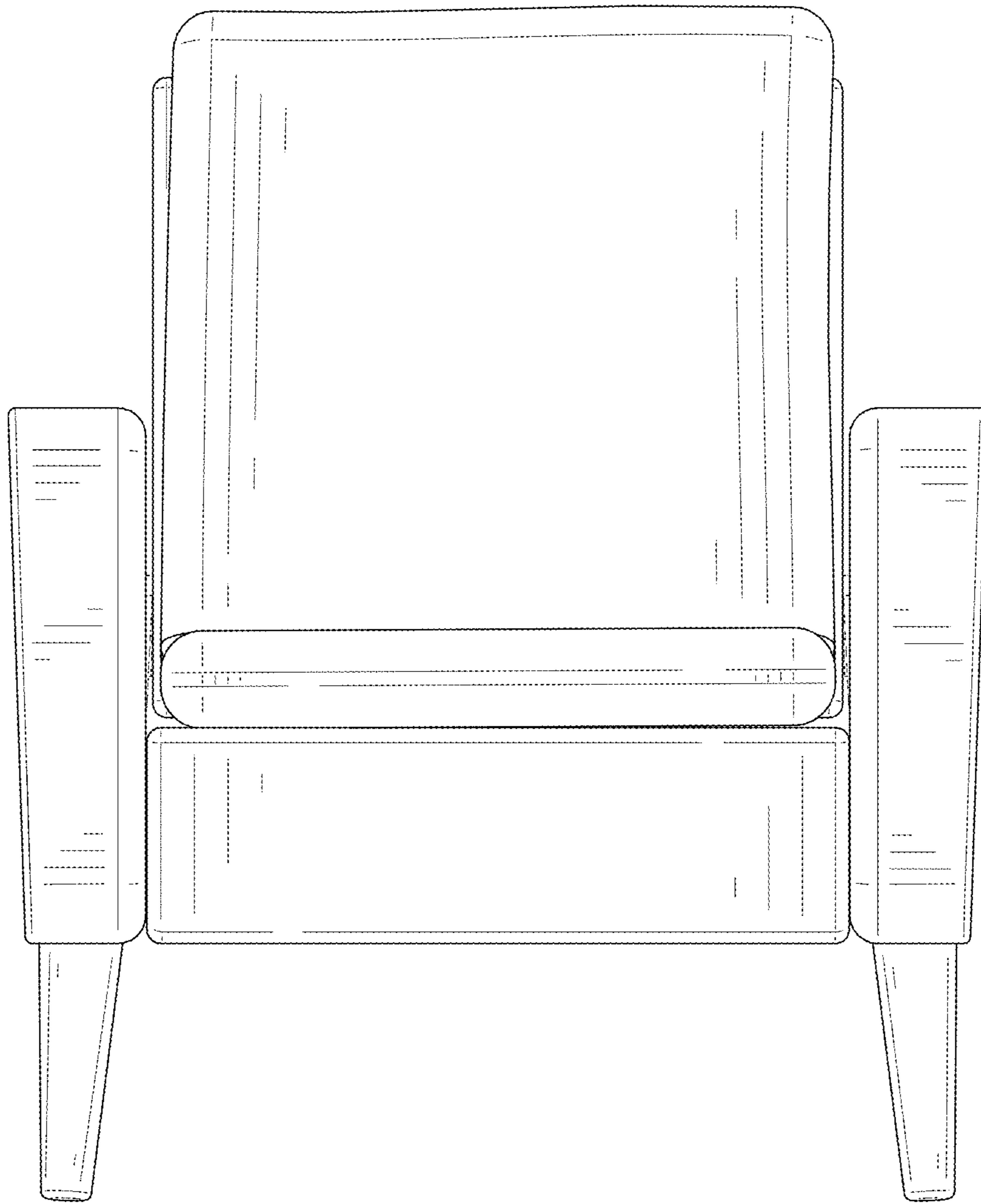


FIG. 3

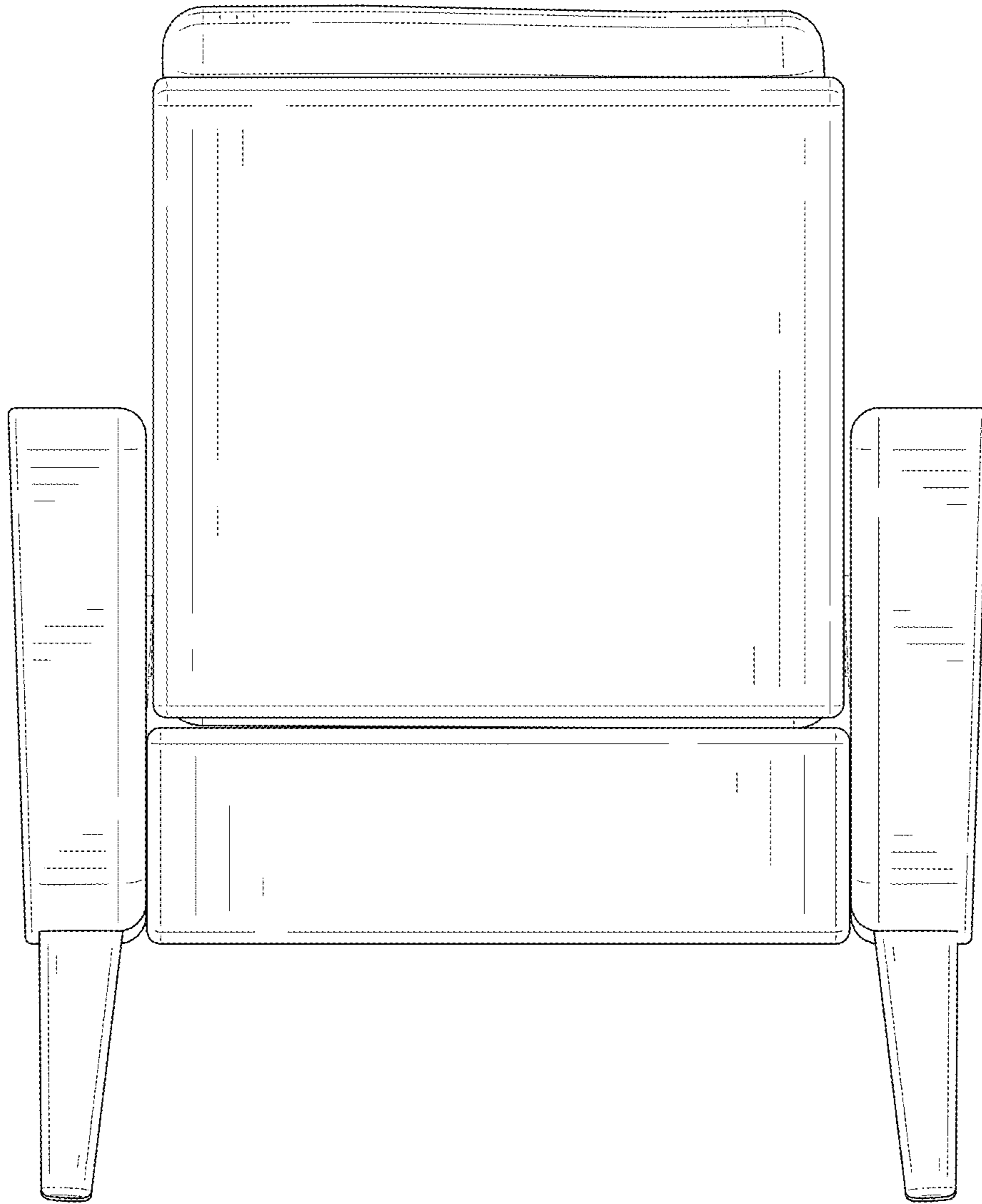


FIG. 4

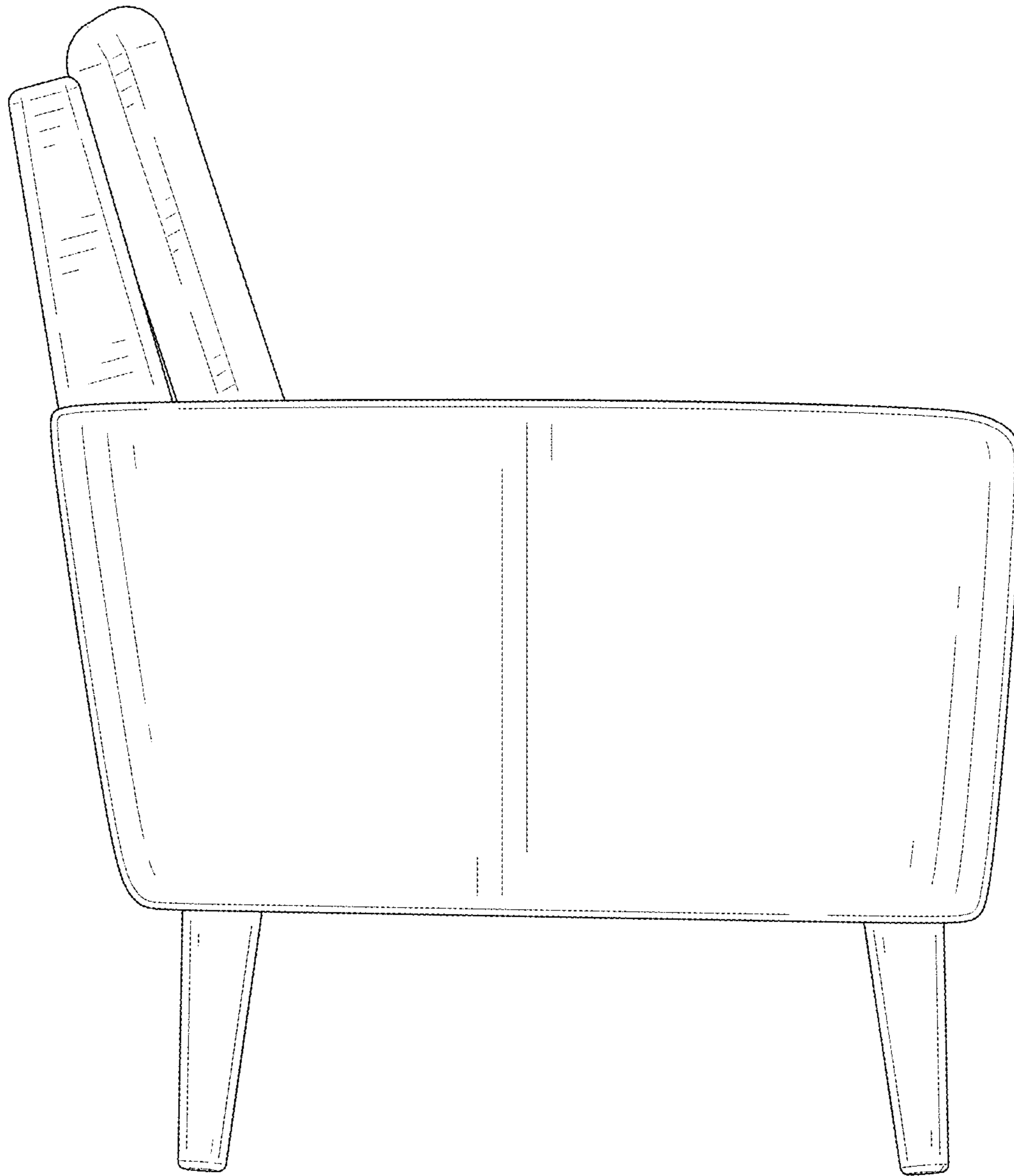


FIG. 5

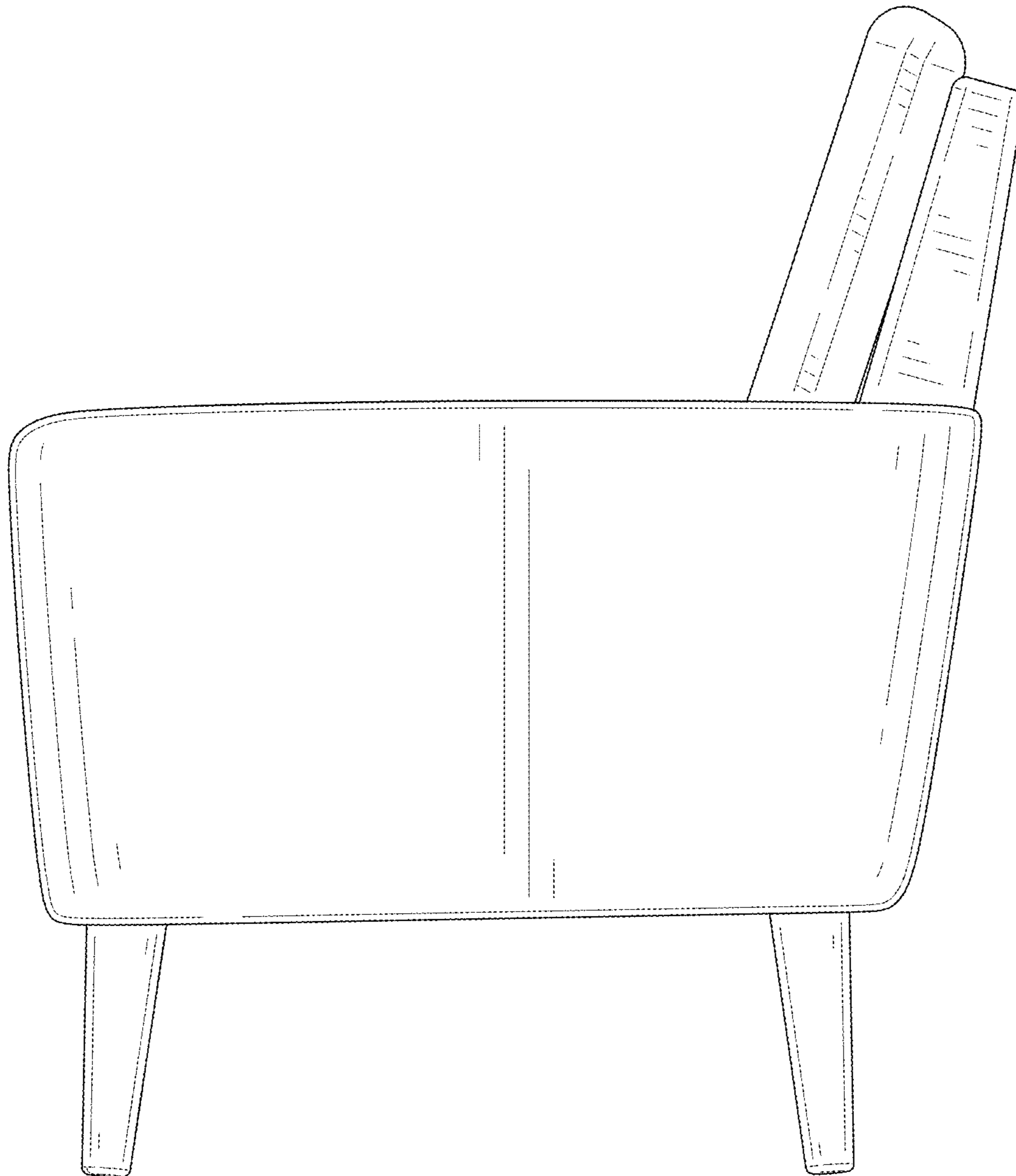


FIG. 6

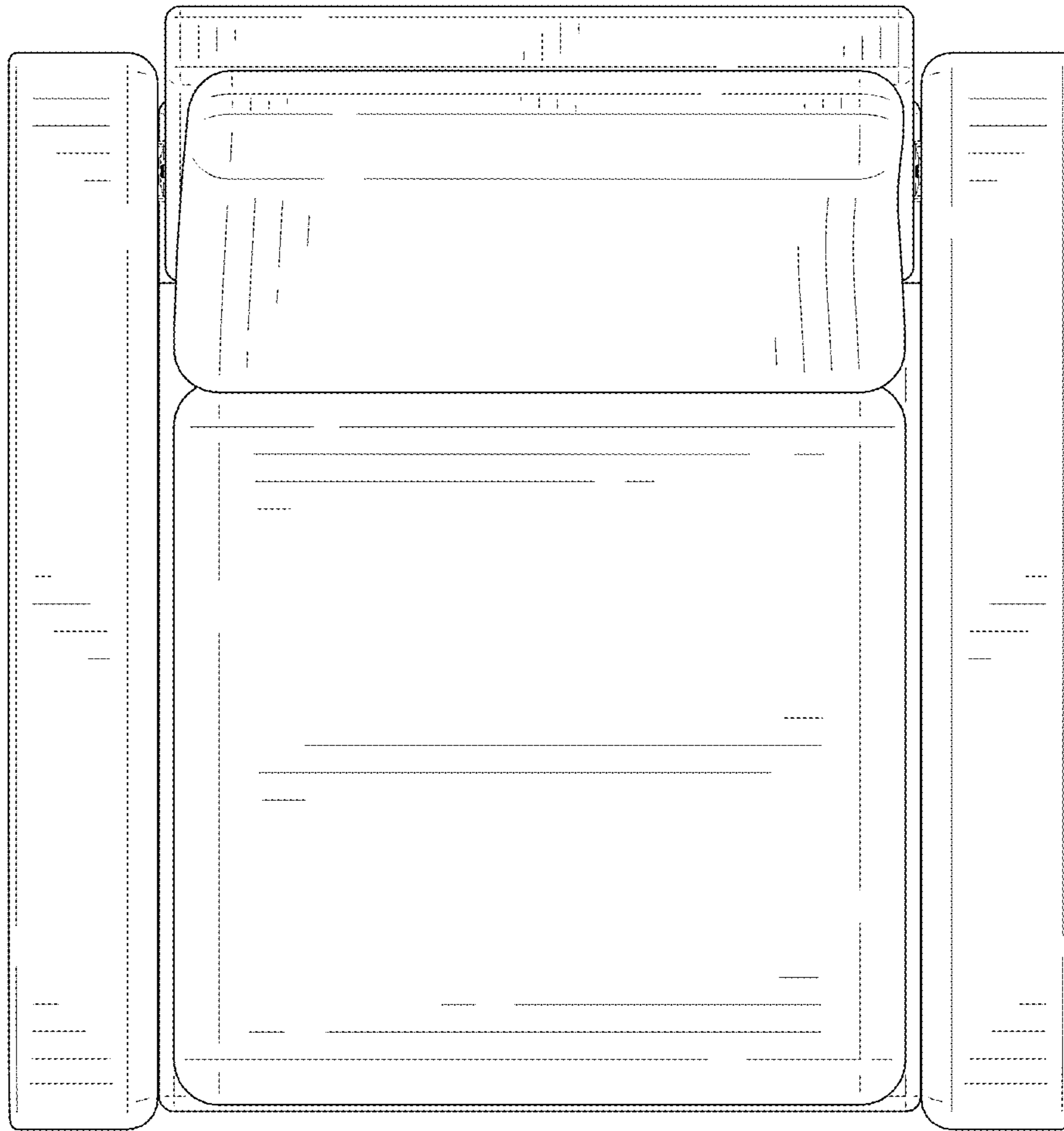


FIG. 7

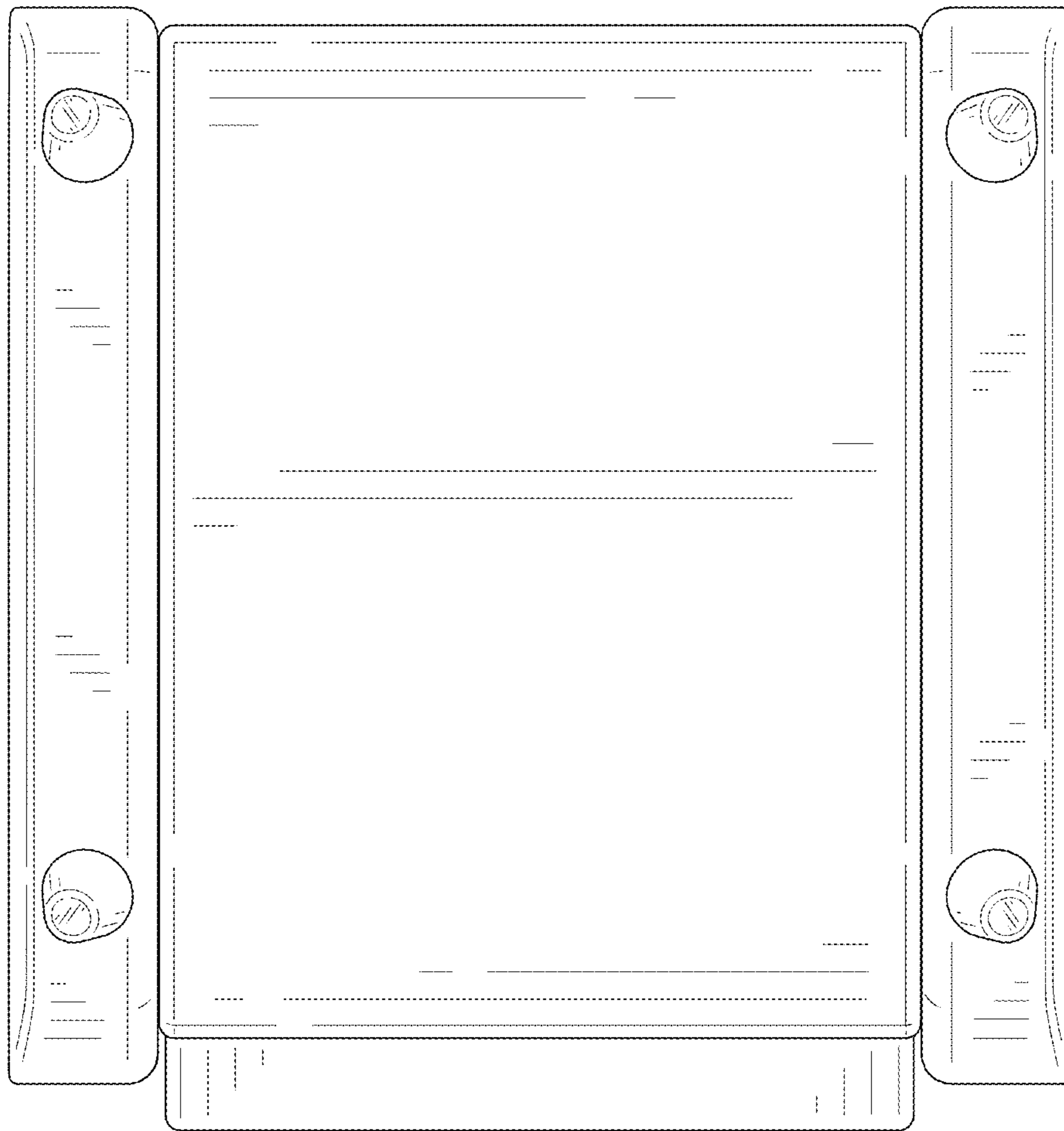


FIG. 8

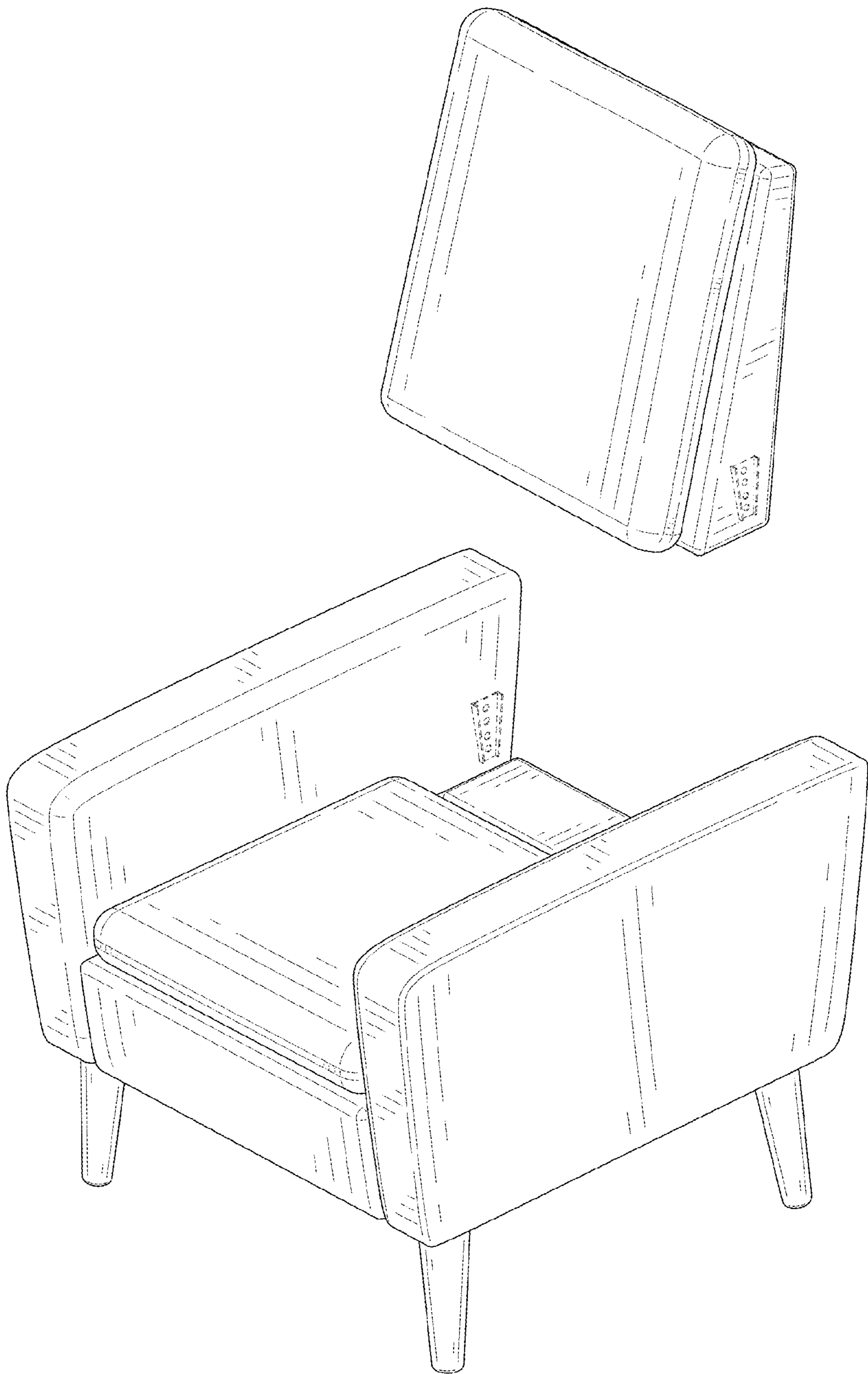


FIG. 9

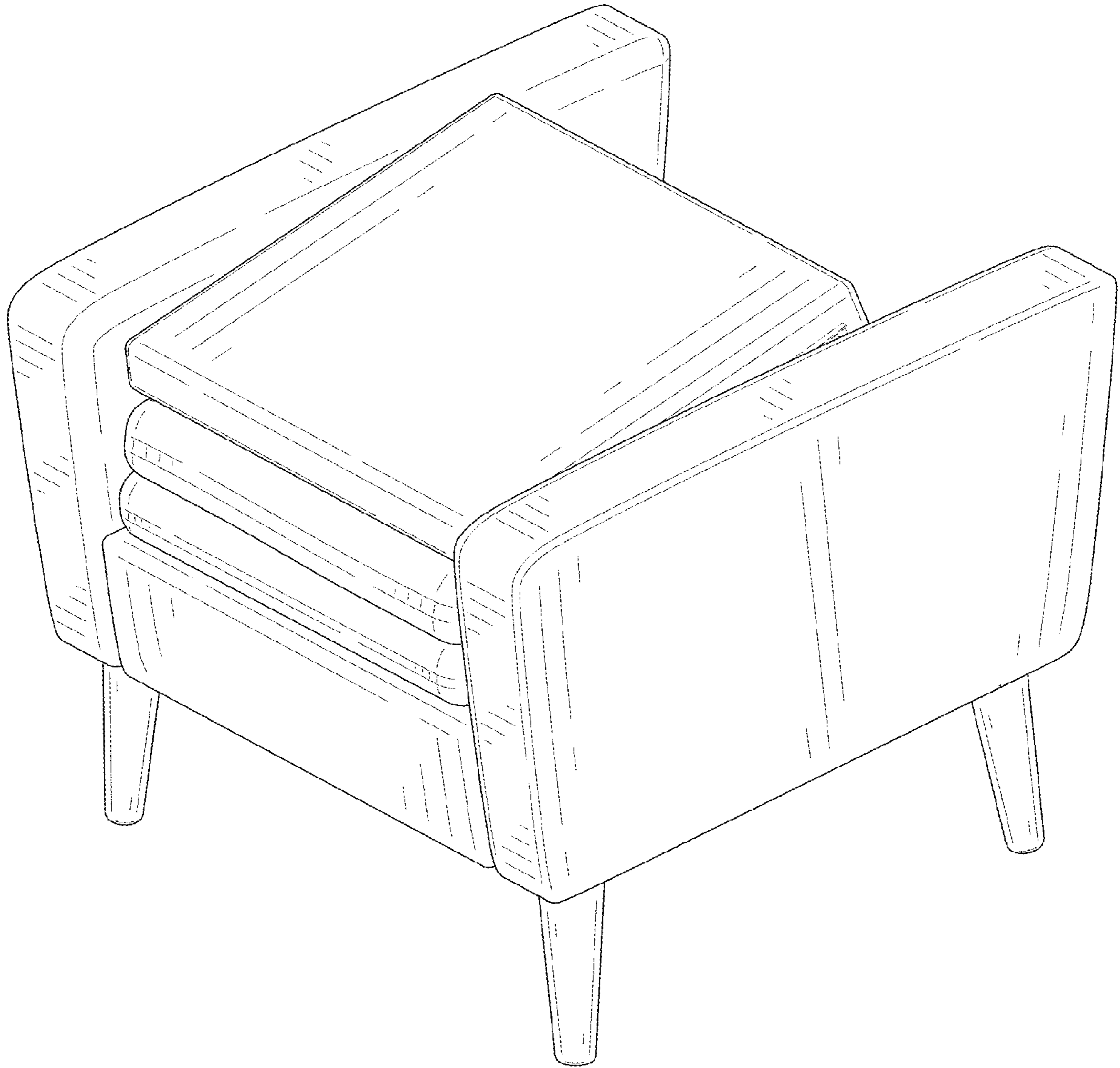


FIG. 10