



US00D874166S

(12) **United States Design Patent** (10) **Patent No.:** **US D874,166 S**  
**King et al.** (45) **Date of Patent:** **\*\* Feb. 4, 2020**

(54) **ARTICLE OF FURNITURE**

**DESCRIPTION**

(71) Applicant: **King Furniture Australia Pty Ltd.,**  
Turrella (AU)  
(72) Inventors: **David King,** Turella (AU); **Anastasi**  
**Panagopoulos,** Turrella (AU); **Tanya**  
**Rechberger,** Turella (AU)  
(73) Assignee: **King Furniture Australia Pty Ltd.,**  
Turrella (AU)  
(\*\*) Term: **15 Years**  
(21) Appl. No.: **29/638,695**  
(22) Filed: **Feb. 28, 2018**

FIG. 1 is a perspective view of a first embodiment of an article of furniture;  
FIG. 2 is a plan view thereof;  
FIG. 3 is a front view thereof;  
FIG. 4 is a right side view thereof, the left side view being a mirror image thereof;  
FIG. 5 is a rear view thereof;  
FIG. 6 is a perspective view of a second embodiment of an article of furniture;  
FIG. 7 is a plan view thereof;  
FIG. 8 is a front view thereof;  
FIG. 9 is a right side view thereof, the left side view being a mirror image thereof;  
FIG. 10 is a rear view thereof;  
FIG. 11 is a perspective view of a third embodiment of an article of furniture;  
FIG. 12 is a plan view thereof;  
FIG. 13 is a front view thereof;  
FIG. 14 is a right side view thereof, the left side view being a mirror image thereof;  
FIG. 15 is a rear view thereof;  
FIG. 16 is a perspective view of a fourth embodiment of an article of furniture;  
FIG. 17 is a plan view thereof;  
FIG. 18 is a front view thereof;  
FIG. 19 is a right side view thereof, the left side view being a mirror image thereof;  
FIG. 20 is a rear view thereof;  
FIG. 21 is a perspective view of a fifth embodiment of an article of furniture;  
FIG. 22 is a plan view thereof;  
FIG. 23 is a front view thereof;  
FIG. 24 is a right side view thereof, the left side view being a mirror image thereof;  
FIG. 25 is a rear view thereof;  
FIG. 26 is a perspective view of a sixth embodiment of an article of furniture;  
FIG. 27 is a plan view thereof;  
FIG. 28 is a front view thereof;  
FIG. 29 is a right side view thereof, the left side view being a mirror image thereof; and,  
FIG. 30 is a rear view thereof.

(30) **Foreign Application Priority Data**

Aug. 29, 2017 (AU) ..... 201715104  
Aug. 29, 2017 (AU) ..... 201715105  
(Continued)

(51) **LOC (12) Cl.** ..... **06-01**  
(52) **U.S. Cl.**  
USPC ..... **D6/334; D6/381**  
(58) **Field of Classification Search**  
USPC ..... **D6/334-338, 360, 361, 367, 368, 371,**  
**D6/372-375, 379, 381**  
(Continued)

(56) **References Cited**

**U.S. PATENT DOCUMENTS**

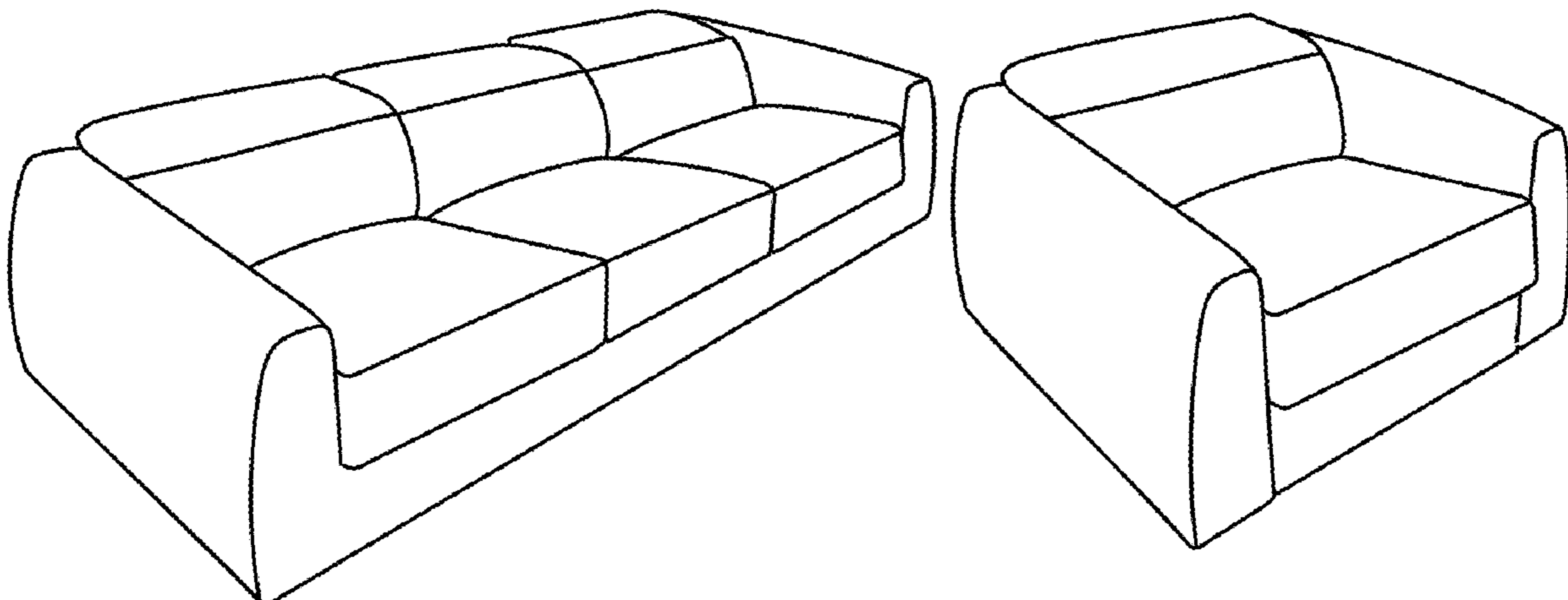
D362,128 S \* 9/1995 Natuzzi ..... D6/334  
D429,082 S \* 8/2000 Desombre ..... D6/367  
(Continued)

*Primary Examiner* — Deanna L Pratt  
(74) *Attorney, Agent, or Firm* — Banner & Witcoff, Ltd.

(57) **CLAIM**

The ornamental design for an article of furniture, as shown and described.

(Continued)



The broken lines depicting the legs of the article of furniture form no part of the claimed design.

**1 Claim, 6 Drawing Sheets**

**(30) Foreign Application Priority Data**

Aug. 29, 2017 (AU) ..... 201715106  
Aug. 29, 2017 (AU) ..... 201715107  
Aug. 29, 2017 (AU) ..... 201715108  
Aug. 29, 2017 (AU) ..... 201715109

**(58) Field of Classification Search**

CPC ..... A47C 17/02; A47C 17/04  
See application file for complete search history.

**(56) References Cited**

U.S. PATENT DOCUMENTS

D432,807 S \* 10/2000 Gollinucci ..... D6/334  
6,969,117 B2 \* 11/2005 King ..... A47C 7/402  
297/353  
D546,090 S \* 7/2007 Ricci ..... D6/334  
D572,916 S \* 7/2008 Galardo ..... D6/334  
D590,622 S \* 4/2009 Natuzzi ..... D6/381  
D859,025 S \* 9/2019 Mart ..... D6/381  
D859,873 S \* 9/2019 Mart ..... D6/381  
D860,670 S \* 9/2019 Natuzzi ..... D6/371

\* cited by examiner

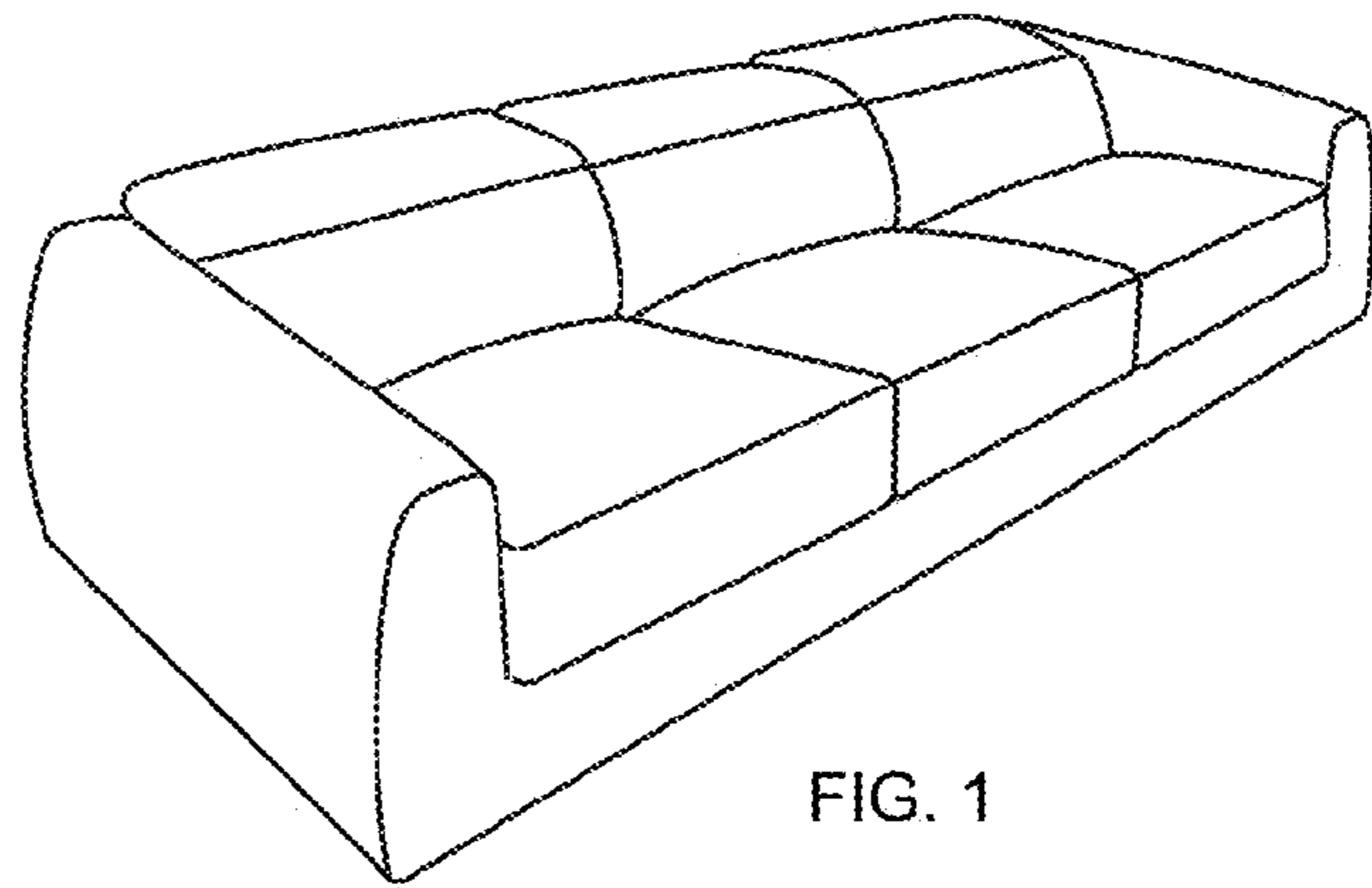


FIG. 1

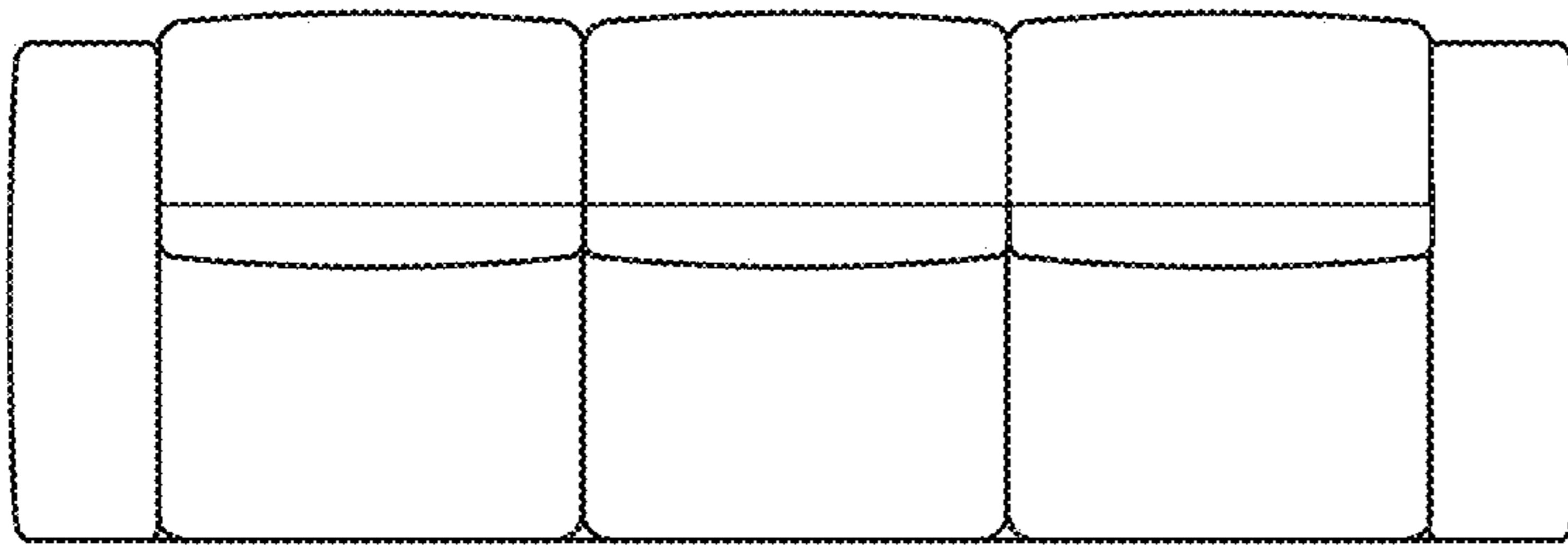


FIG. 2

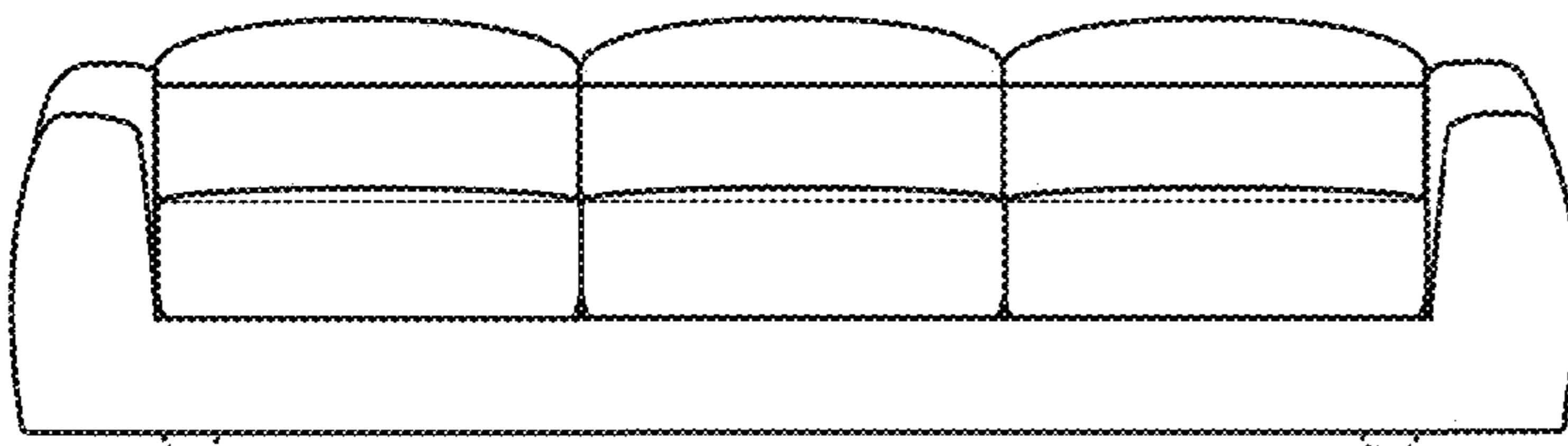


FIG. 3



FIG. 4

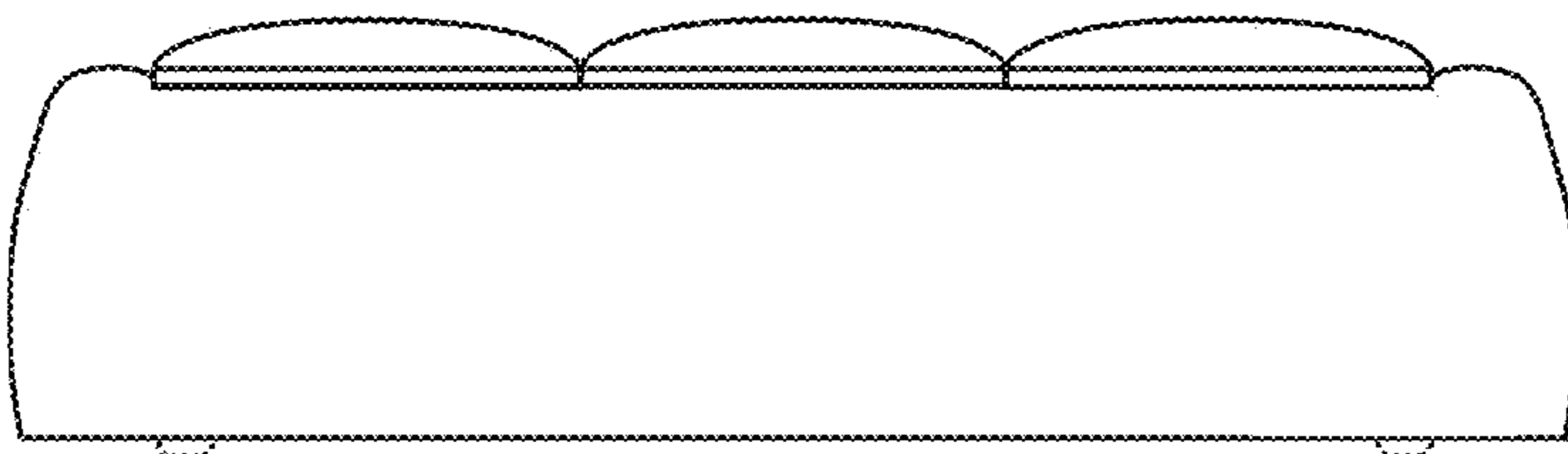


FIG. 5

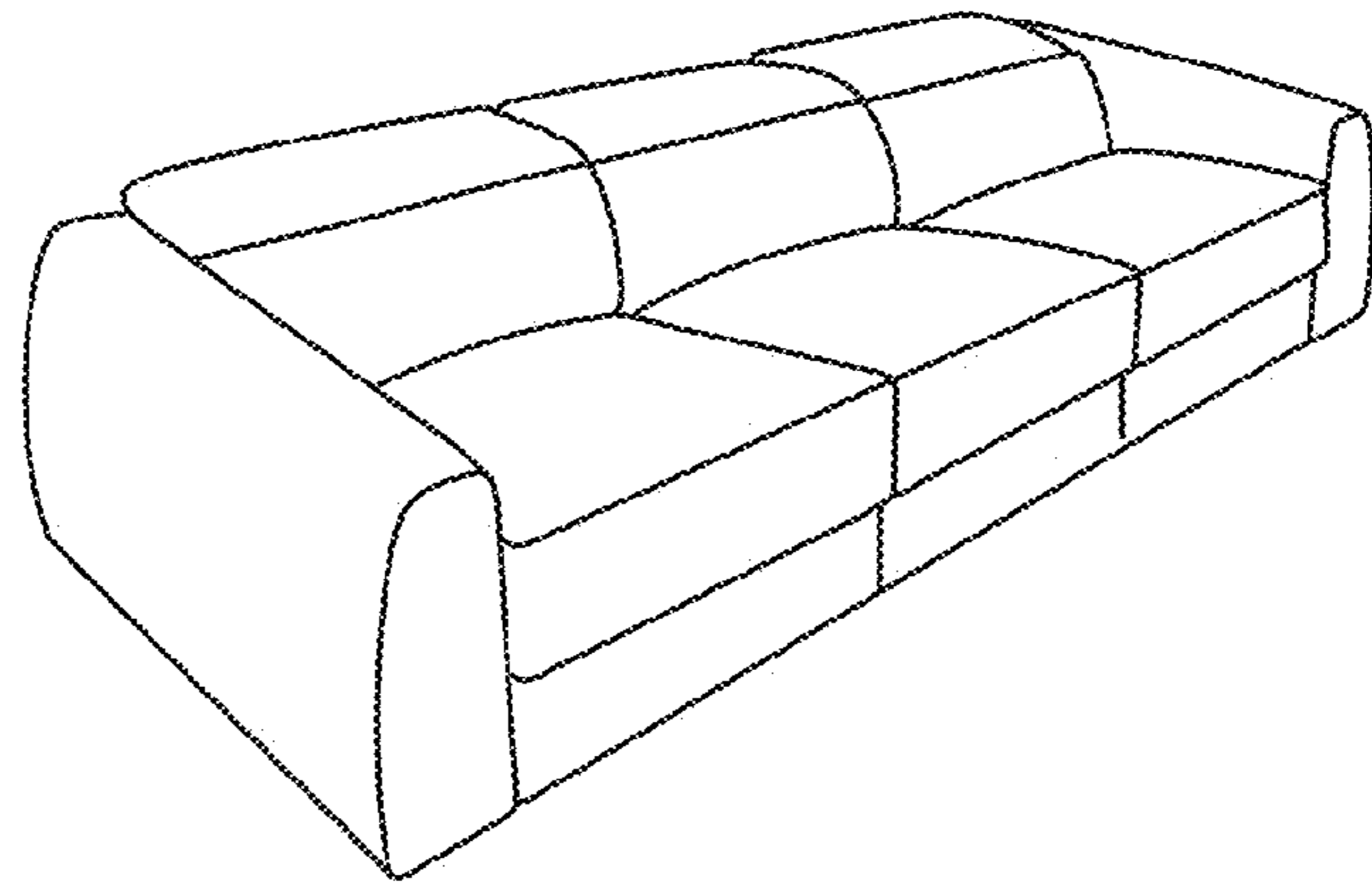


FIG. 6

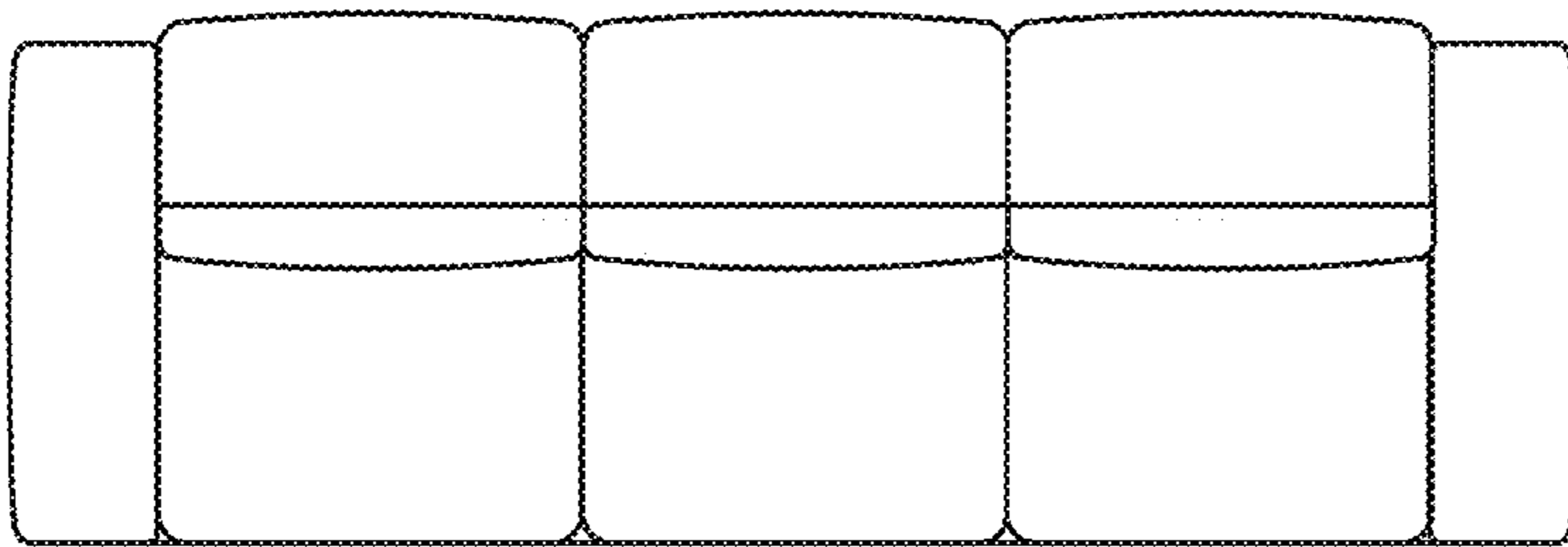


FIG. 7

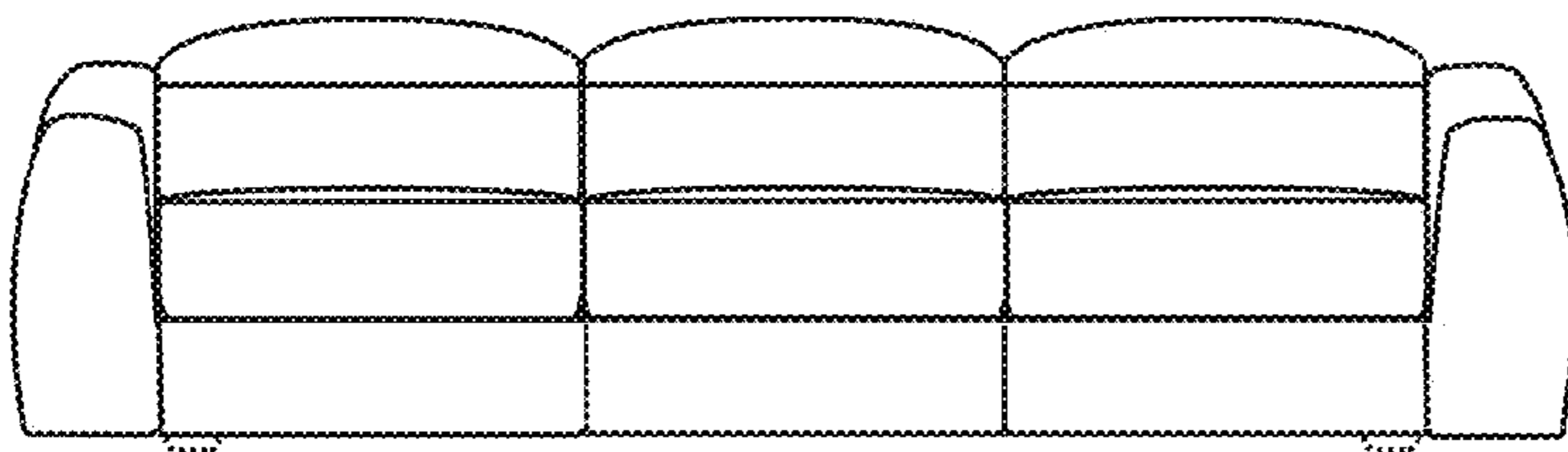


FIG. 8



FIG. 9

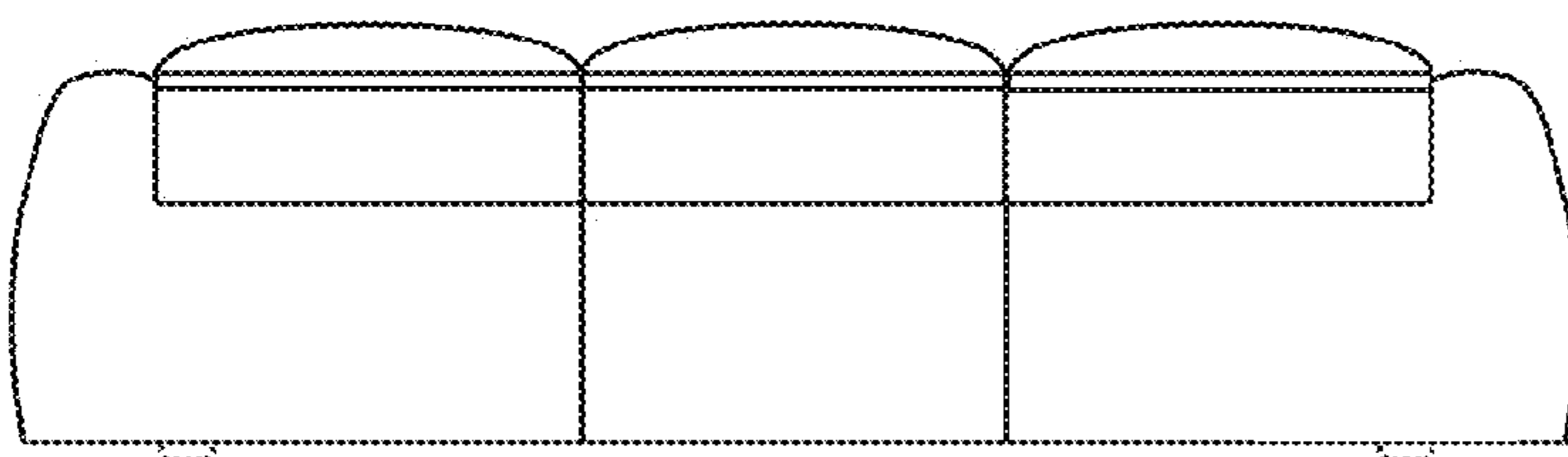


FIG. 10

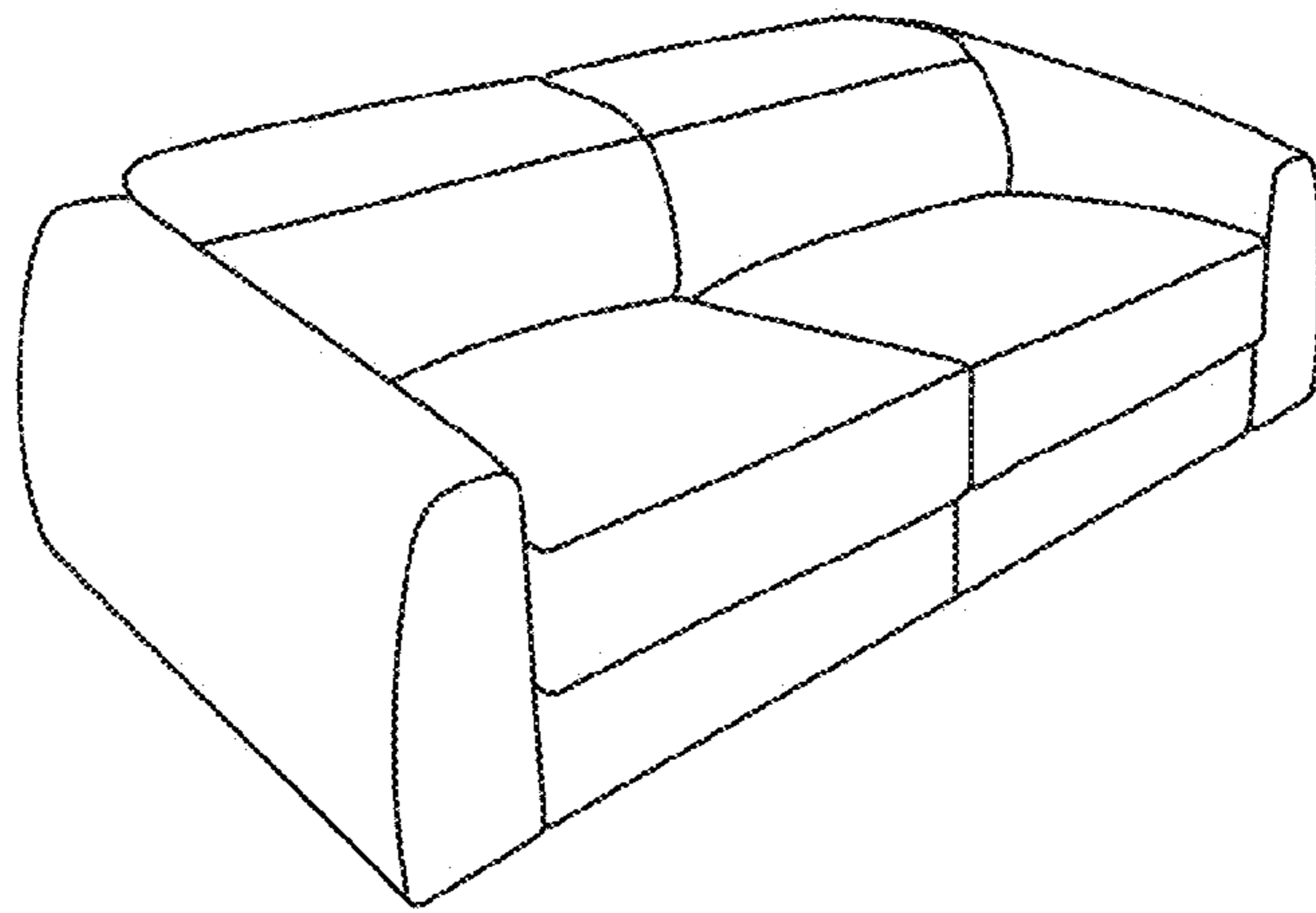


FIG. 11

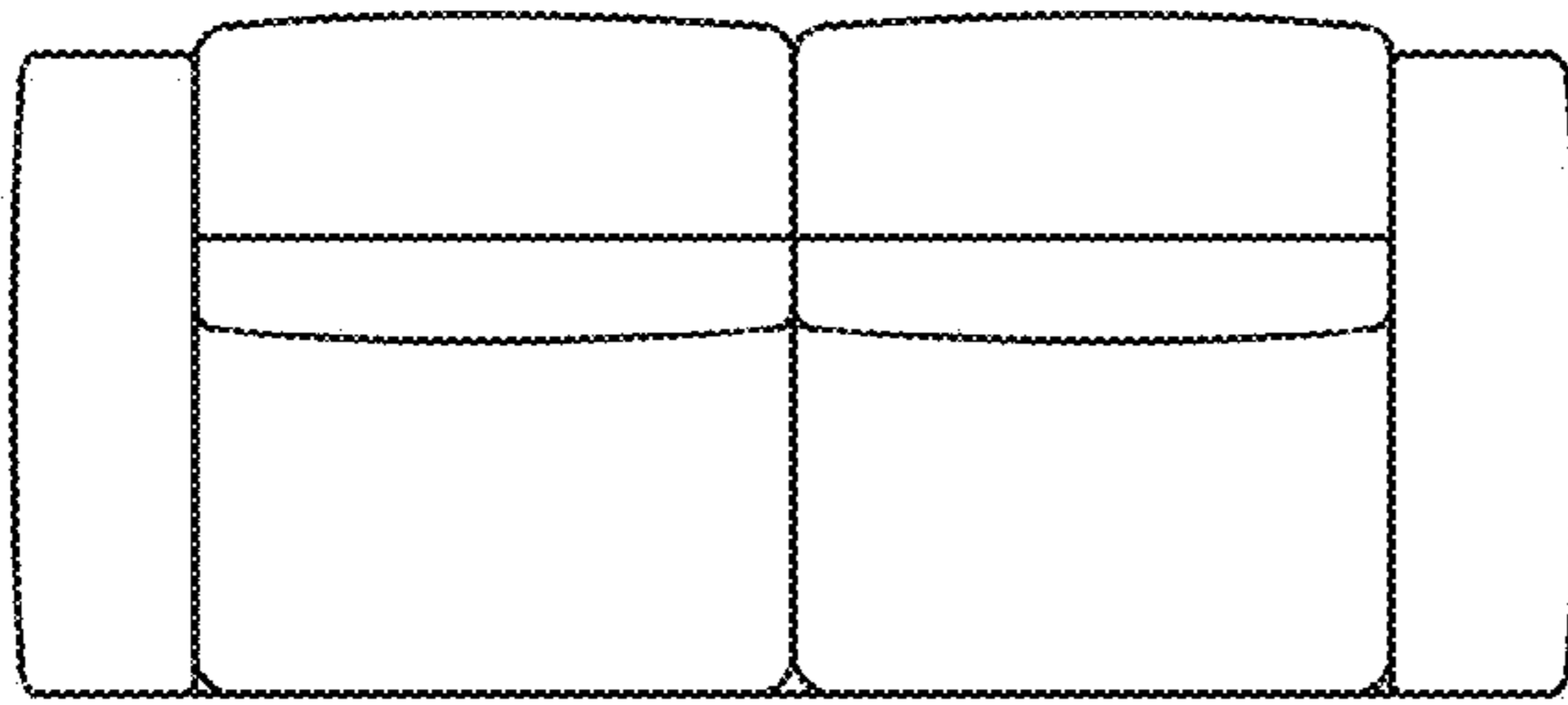


FIG. 12

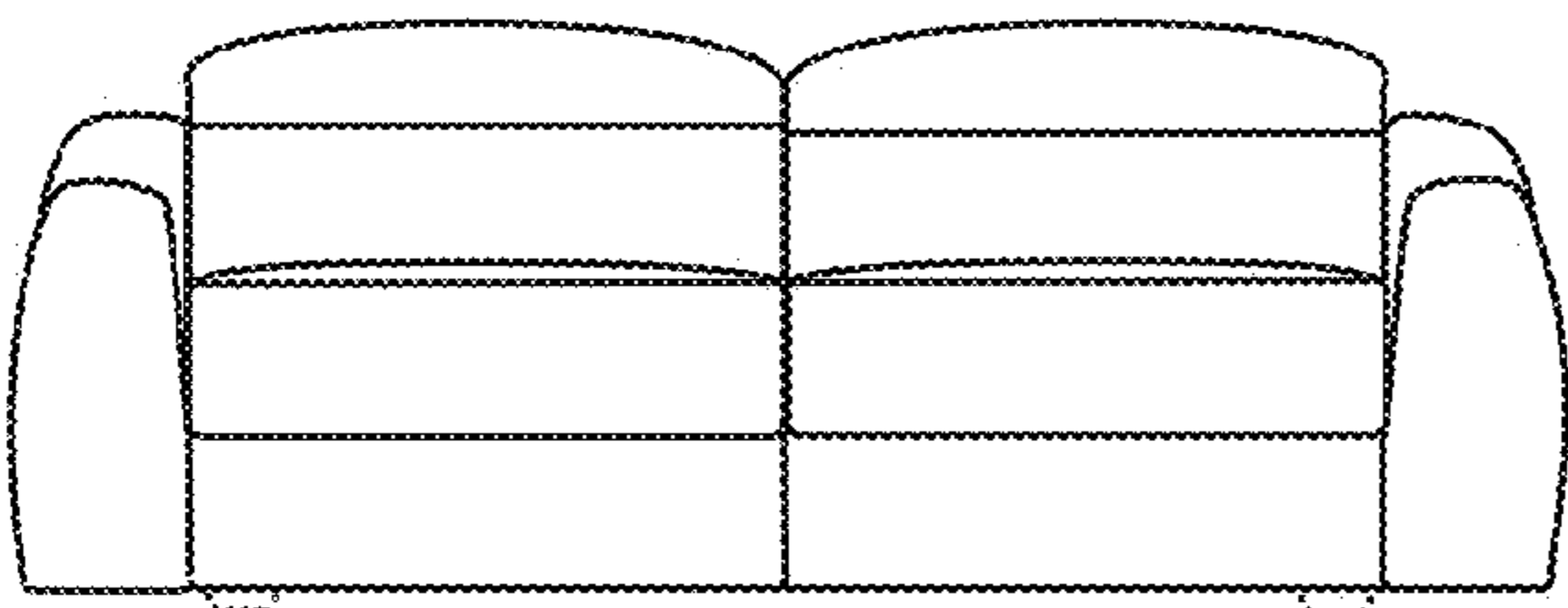


FIG. 13



FIG. 14

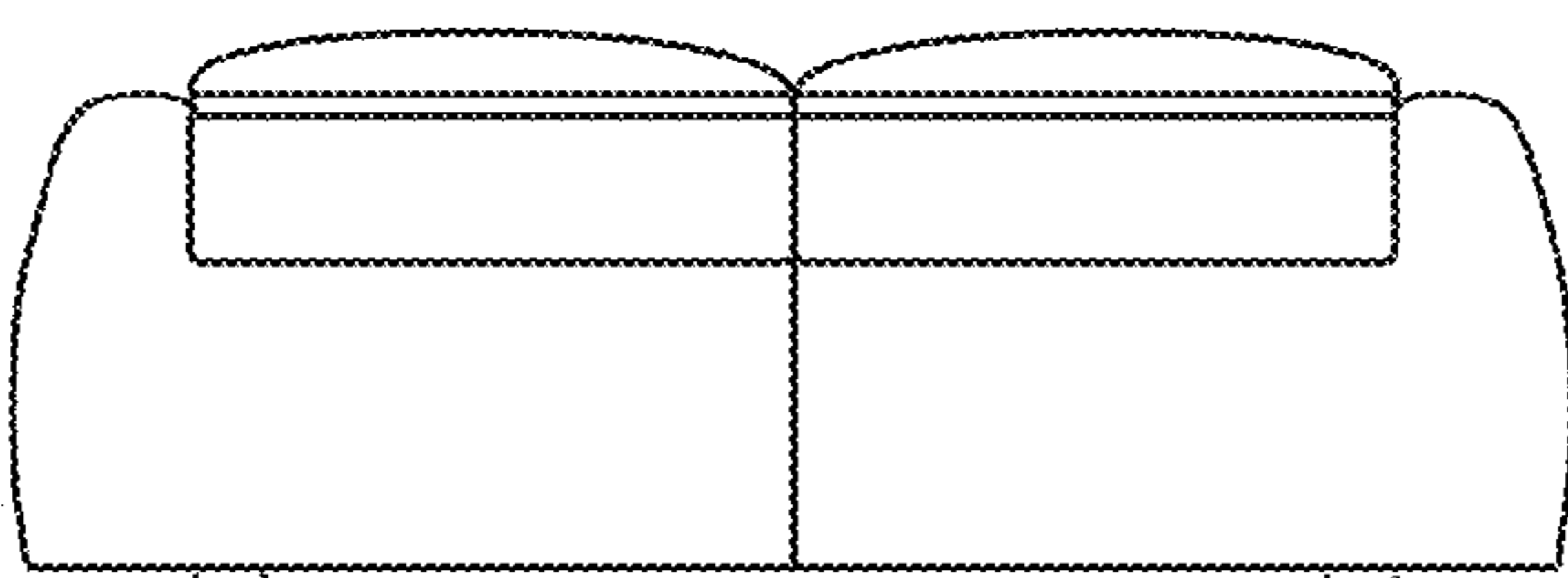


FIG. 15

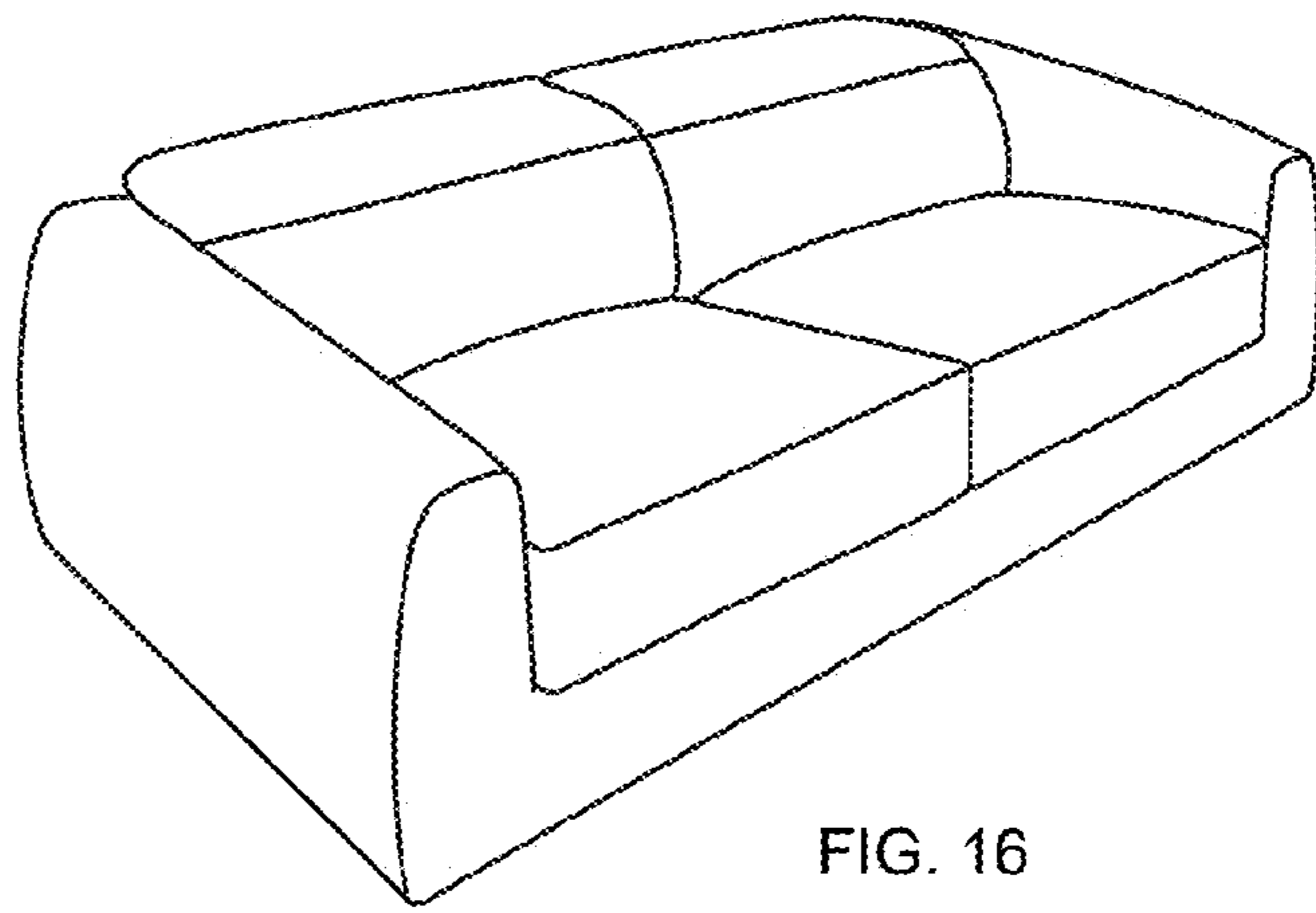


FIG. 16

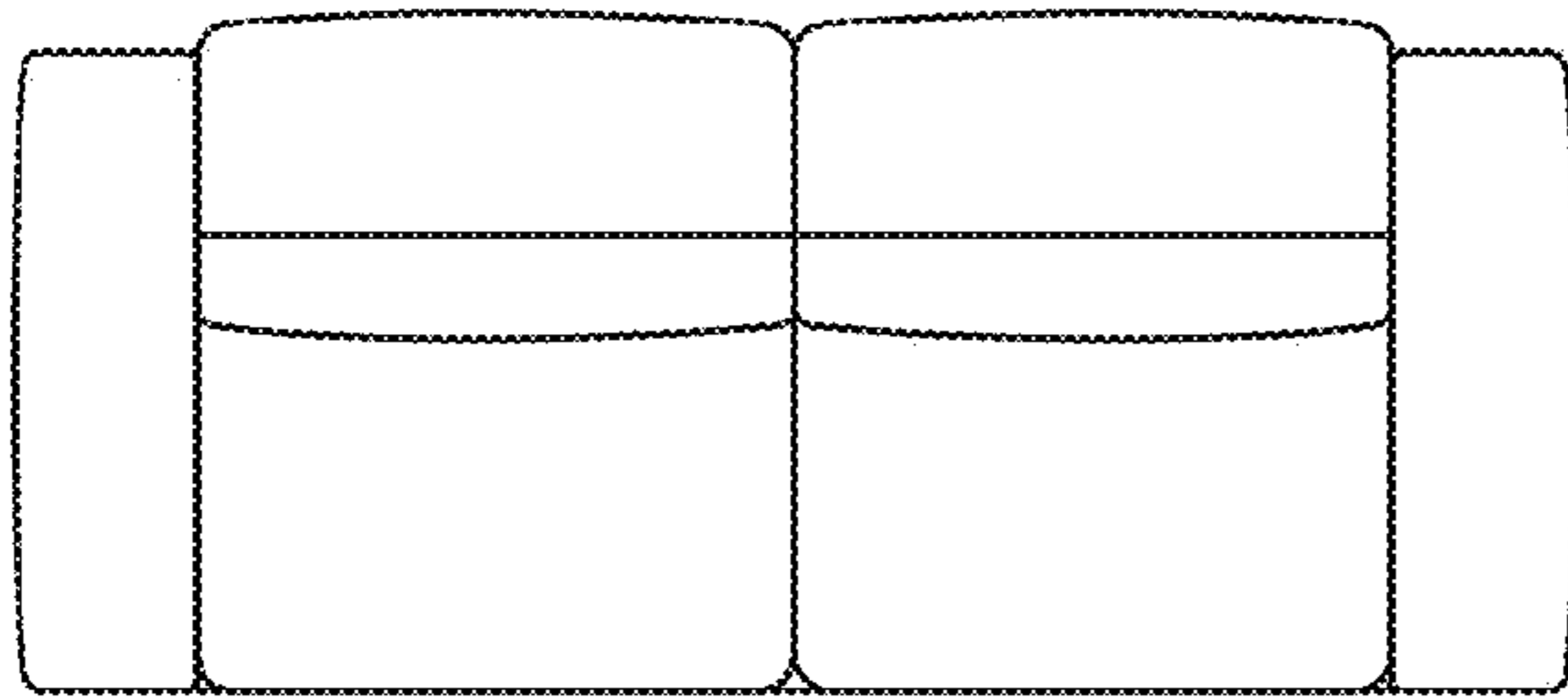


FIG. 17

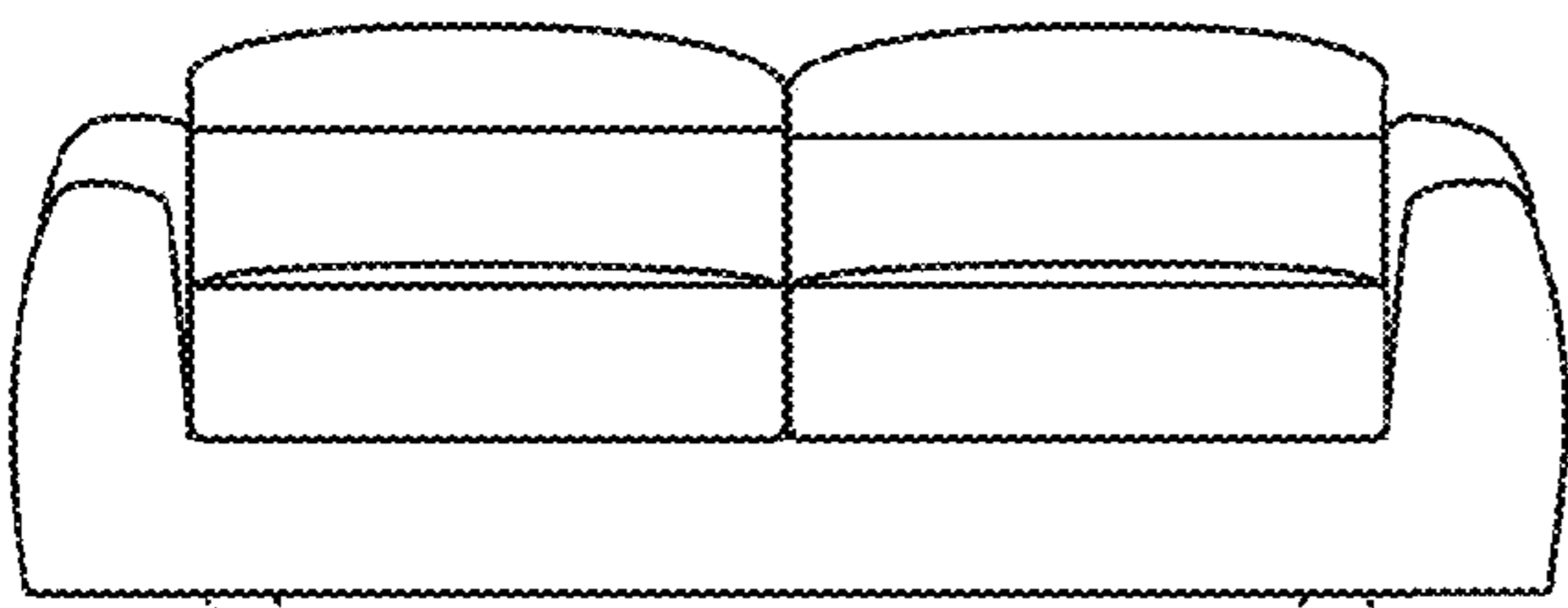


FIG. 18



FIG. 19

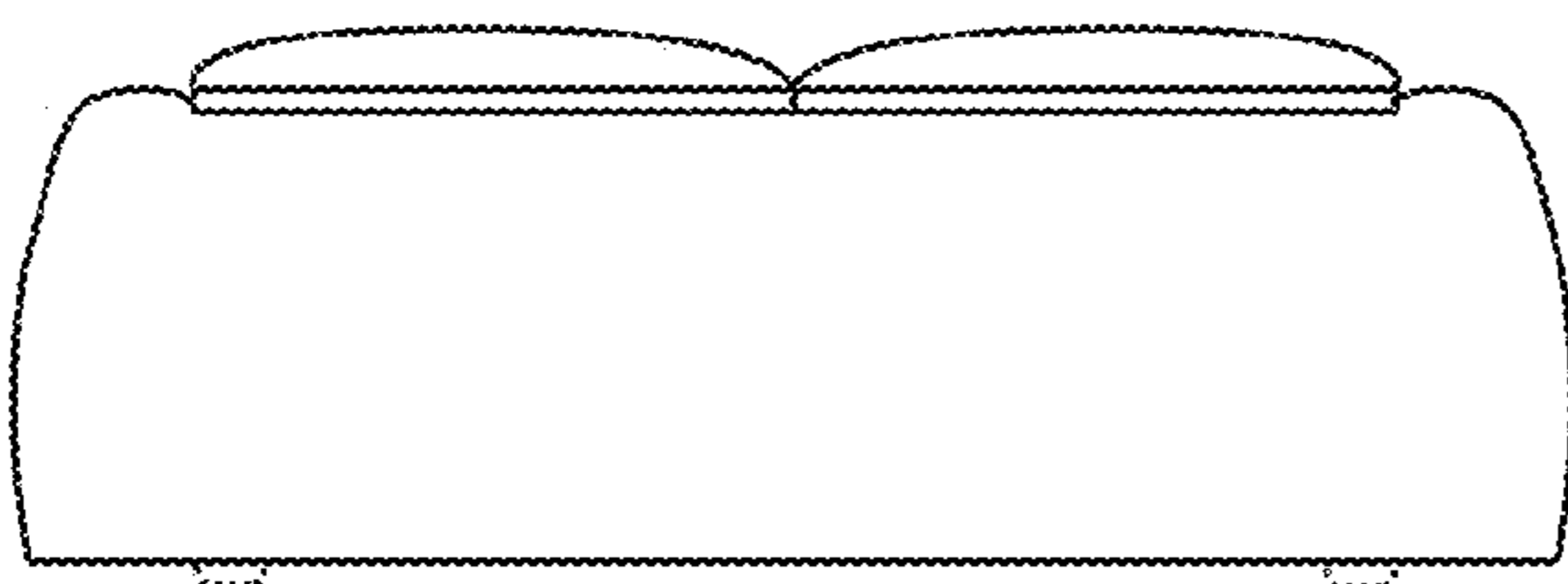


FIG. 20

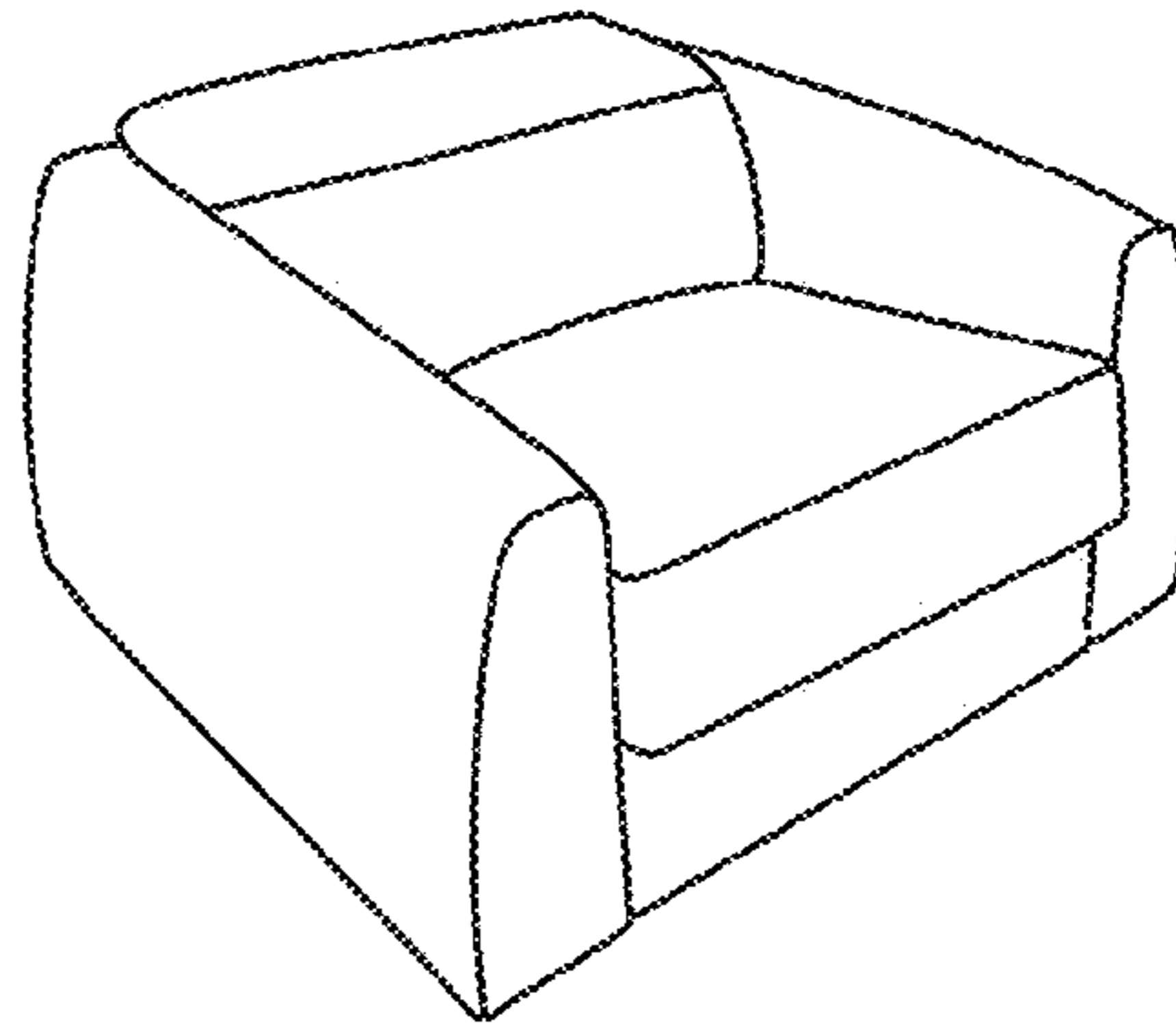


FIG. 21

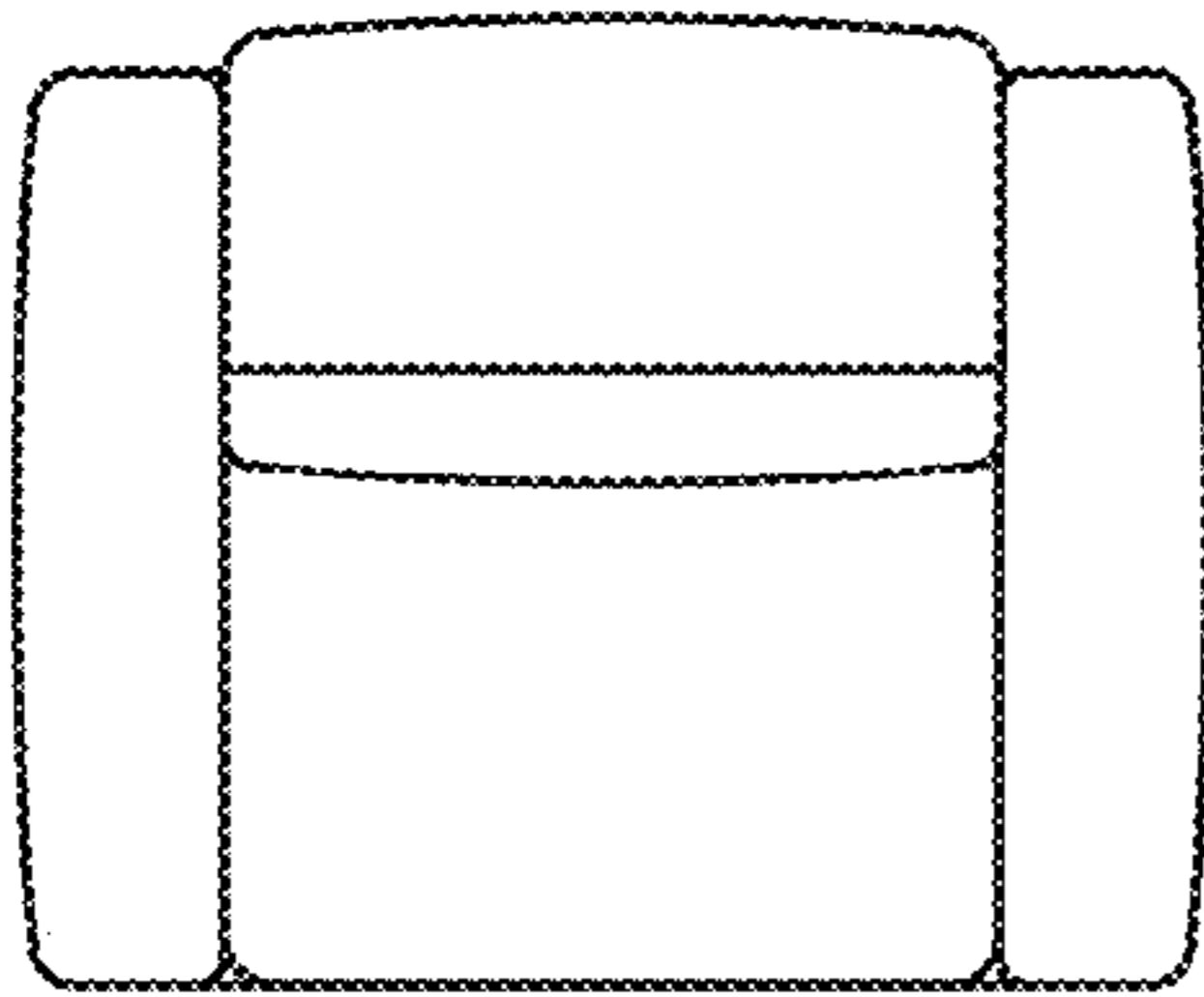


FIG. 22

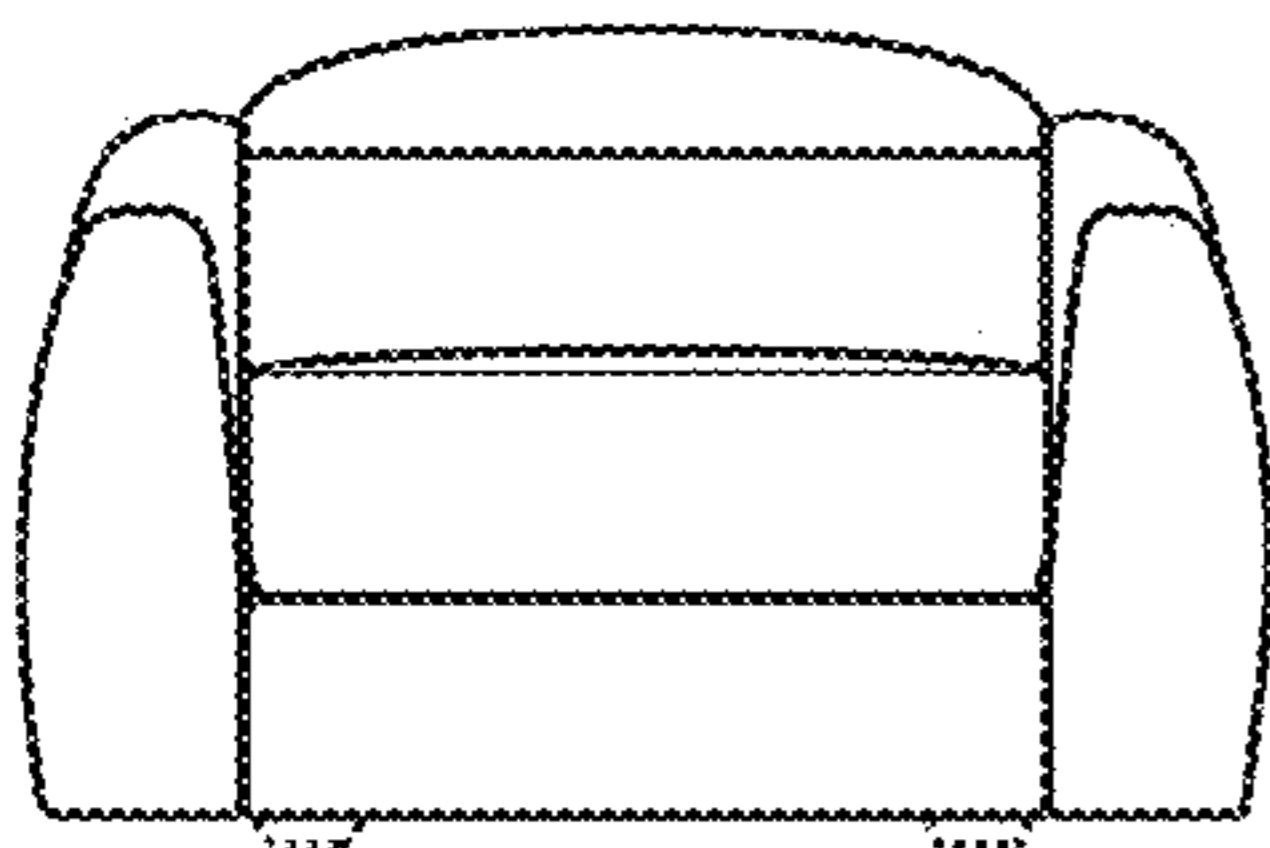


FIG. 23



FIG. 24

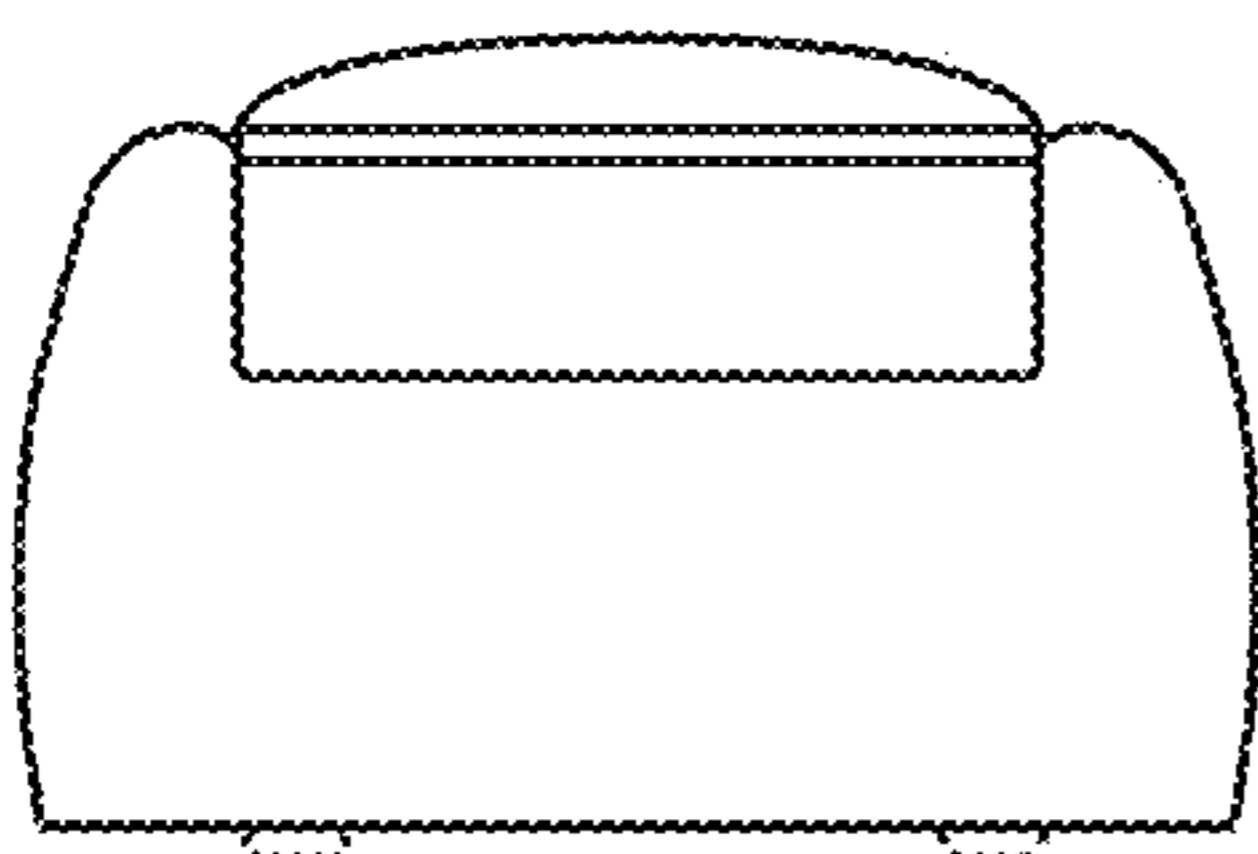


FIG. 25

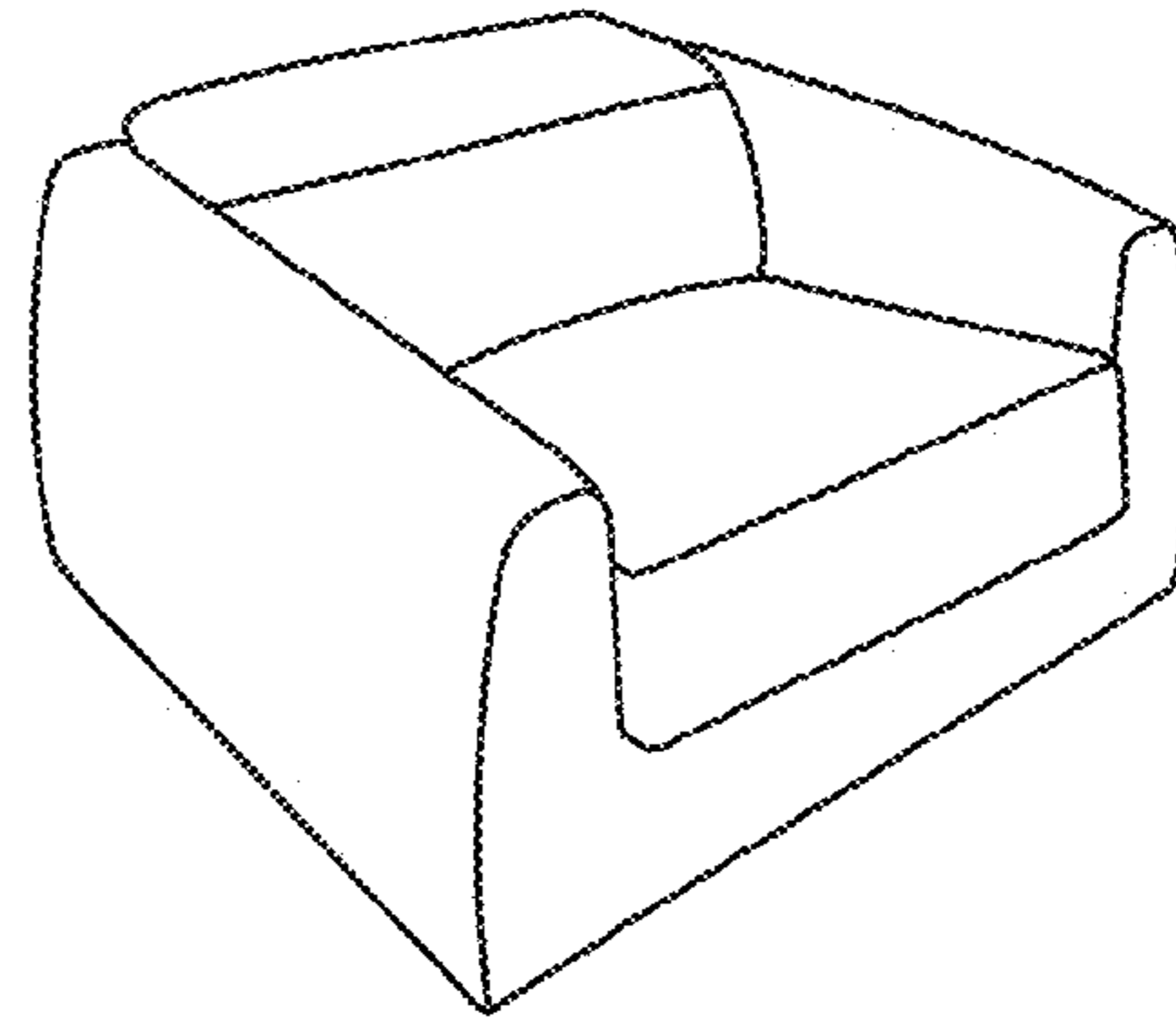


FIG. 26

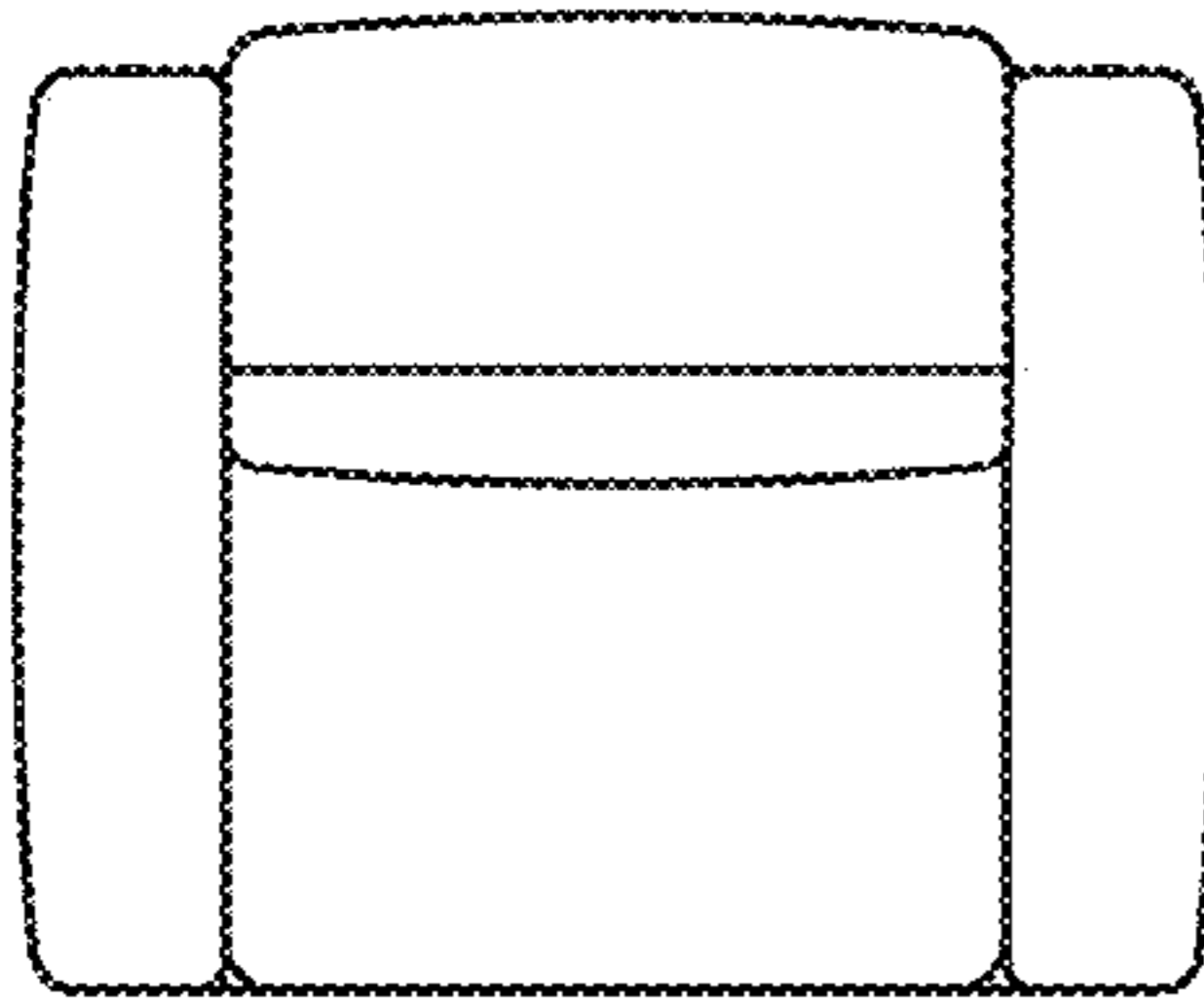


FIG. 27

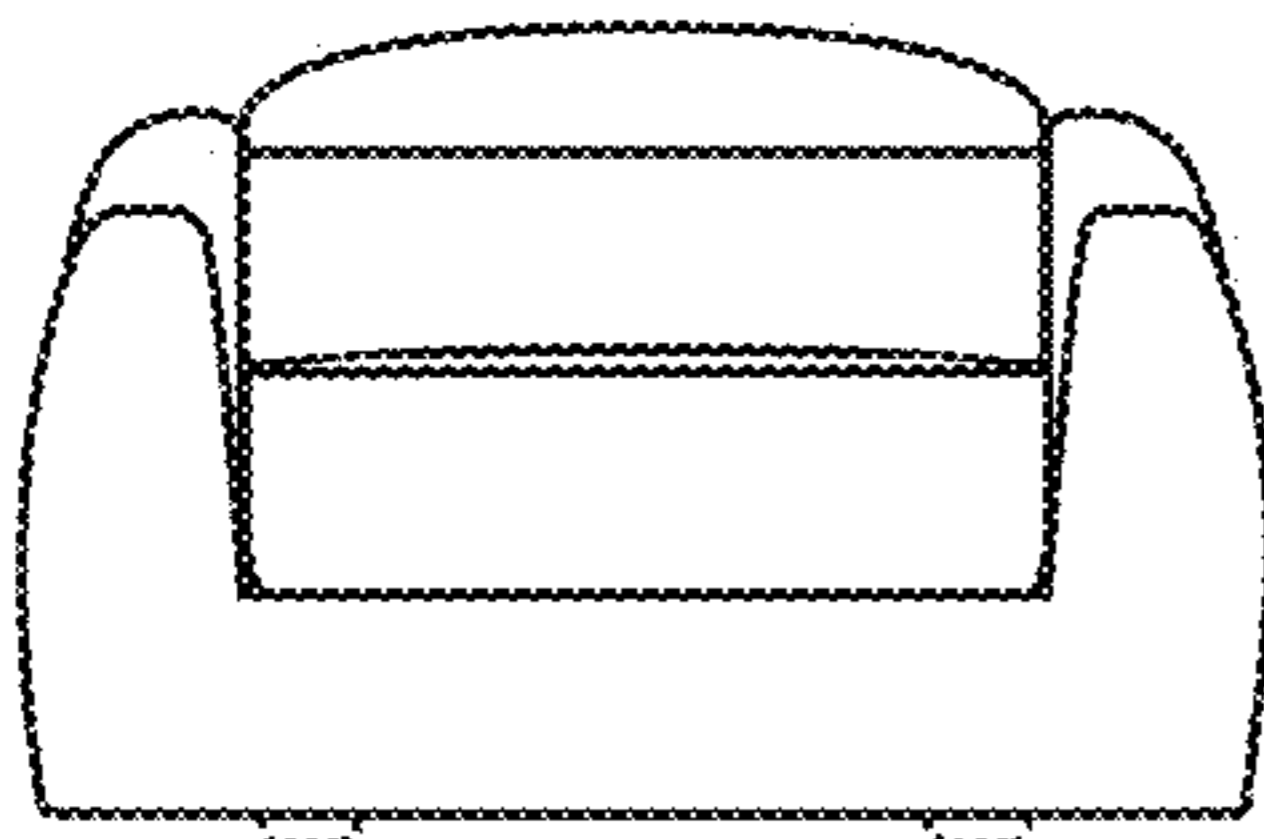


FIG. 28

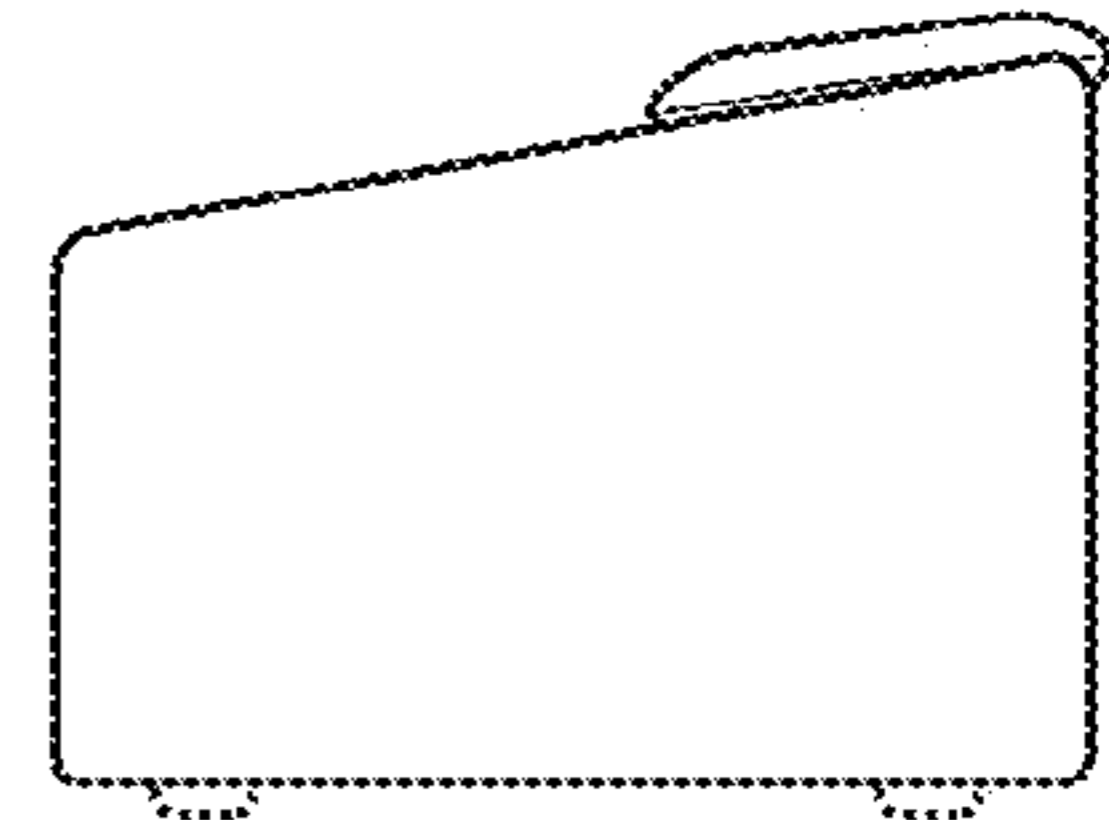


FIG. 29

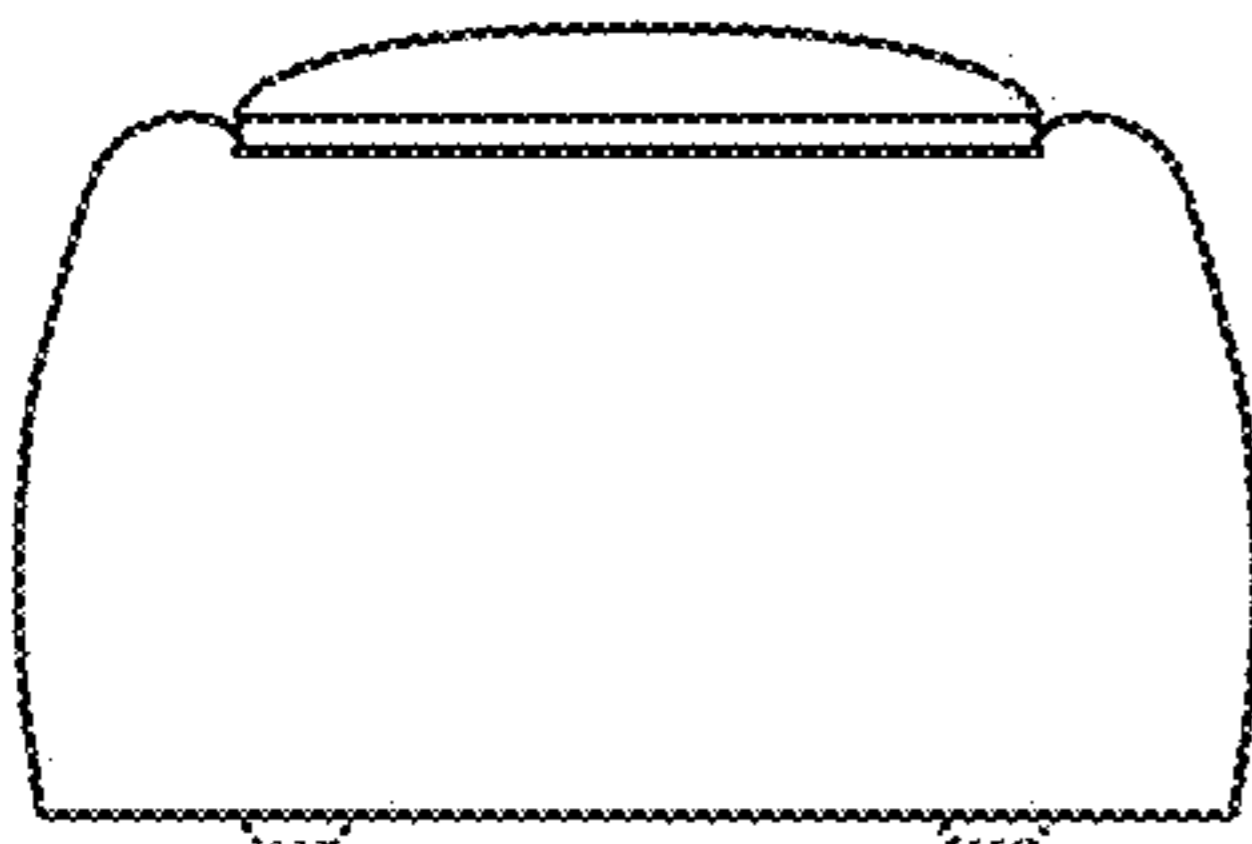


FIG. 30