



US00D874165S

(12) **United States Design Patent**  
**Hamilton et al.**

(10) **Patent No.:** **US D874,165 S**

(45) **Date of Patent:** **\*\* Feb. 4, 2020**

- (54) **SCREEN**
- (71) Applicant: **Steelcase Inc.**, Grand Rapids, MI (US)
- (72) Inventors: **John Richard Hamilton**, San Rafael, CA (US); **Heini Elisa Honkanen**, München (DE)
- (73) Assignee: **Steelcase Inc.**, Grand Rapids, MI (US)
- (\*\*) Term: **15 Years**
- (21) Appl. No.: **29/649,549**
- (22) Filed: **May 31, 2018**
- (51) **LOC (12) Cl.** ..... **06-06**
- (52) **U.S. Cl.**  
USPC ..... **D6/332**
- (58) **Field of Classification Search**  
USPC .... D6/332, 300, 314, 713, 714; D19/20, 91; D20/43, 44  
CPC ..... E04B 2/74; E04B 2/7401; E04B 2/7405; E04B 2/7407; E04B 2/7416; E04B 2/7433; E04B 2002/7464; E04B 2/76; E04B 2/824; E04B 2/88; E04B 2/7425; E04B 2/7427; E04B 2/7431; E04B 2/7409; E04B 2/7422; E04B 2002/7479; A47B 91/02; A47B 91/022; A47B 91/024; A47G 5/00; A47H 23/00  
See application file for complete search history.

- D388,313 S 12/1997 Benner et al.
- D392,686 S \* 3/1998 Sarkisian ..... D20/21
- 5,771,954 A \* 6/1998 Benner ..... A47G 5/00  
160/135
- D399,063 S \* 10/1998 Verbeek ..... D6/332
- D415,901 S \* 11/1999 Arko ..... D6/332
- D427,783 S \* 7/2000 Luedke ..... A47G 5/00  
D6/332
- 6,202,659 B1 \* 3/2001 Sachs ..... A45B 17/00  
135/142
- 6,213,191 B1 4/2001 Nitzsche
- D450,465 S 11/2001 Overthun et al.
- 6,585,028 B2 \* 7/2003 Verdicchio ..... A47G 5/00  
160/351
- 6,805,327 B1 \* 10/2004 Shen ..... A47B 91/02  
248/346.07
- D524,062 S 7/2006 Hosoe
- D537,258 S 2/2007 Hosoe

(Continued)

*Primary Examiner* — Kevin K Rudzinski  
*Assistant Examiner* — Kimberly Barnes  
(74) *Attorney, Agent, or Firm* — Price Heneveld LLP

(57) **CLAIM**

The ornamental design for a screen, as shown and described.

**DESCRIPTION**

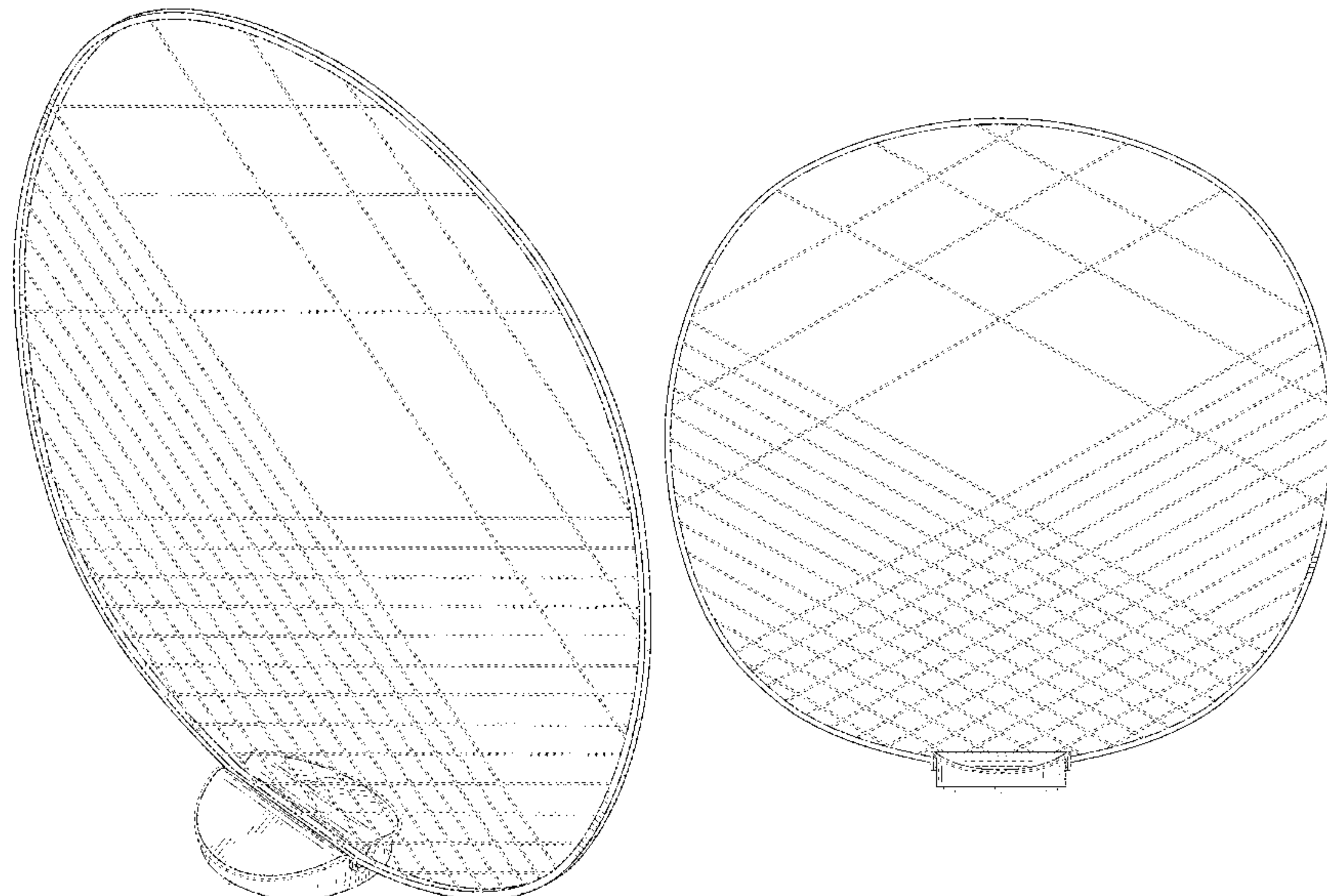
FIG. 1 is a top-front perspective view of a screen showing our new design;  
FIG. 2 is a front elevation view thereof;  
FIG. 3 is a back elevation view thereof;  
FIG. 4 is a right side elevation view thereof;  
FIG. 5 is a left side elevation view thereof;  
FIG. 6 is a top plan view thereof;  
FIG. 7 is a bottom plan view thereof; and,  
FIG. 8 is a bottom-front perspective view thereof.  
The evenly broken lines depict portions of the screen that form no part of the claimed design. The dash-dot lines represent the bounds of the claimed design and form no part of the claimed design.

**1 Claim, 6 Drawing Sheets**

(56) **References Cited**

U.S. PATENT DOCUMENTS

- 3,713,474 A \* 1/1973 Orlando ..... E04B 2/7409  
160/351
- 3,949,827 A \* 4/1976 Witherspoon ..... E04B 2/7437  
181/284
- D245,893 S \* 9/1977 Page ..... D6/332
- D318,574 S \* 7/1991 Witzig ..... D6/332
- D375,410 S \* 11/1996 Wang ..... D6/300



(56)

**References Cited**

U.S. PATENT DOCUMENTS

D537,259	S	2/2007	Hosoe	
D577,075	S *	9/2008	Bode .....	D20/21
D591,062	S	4/2009	Little et al.	
D610,624	S *	2/2010	Makhija .....	G09F 7/18 D20/43
D725,919	S *	4/2015	Hidalgo .....	D25/58
9,414,697	B2 *	8/2016	Parshad .....	A47G 5/00
D782,835	S *	4/2017	Parshad .....	D6/332
D796,216	S *	9/2017	Rockwell .....	D6/332
D798,615	S *	10/2017	Lievore .....	D6/332
9,920,520	B2 *	3/2018	Udagawa .....	E04B 2/7405
10,149,058	B2 *	12/2018	O'Polka .....	H04R 5/02
2008/0178506	A1 *	7/2008	Garfinkle .....	G09F 3/16 40/658
2016/0090736	A1 *	3/2016	Hall .....	E04B 2/7405 160/368.1
2017/0196380	A1 *	7/2017	Chapman .....	A47G 5/00

\* cited by examiner



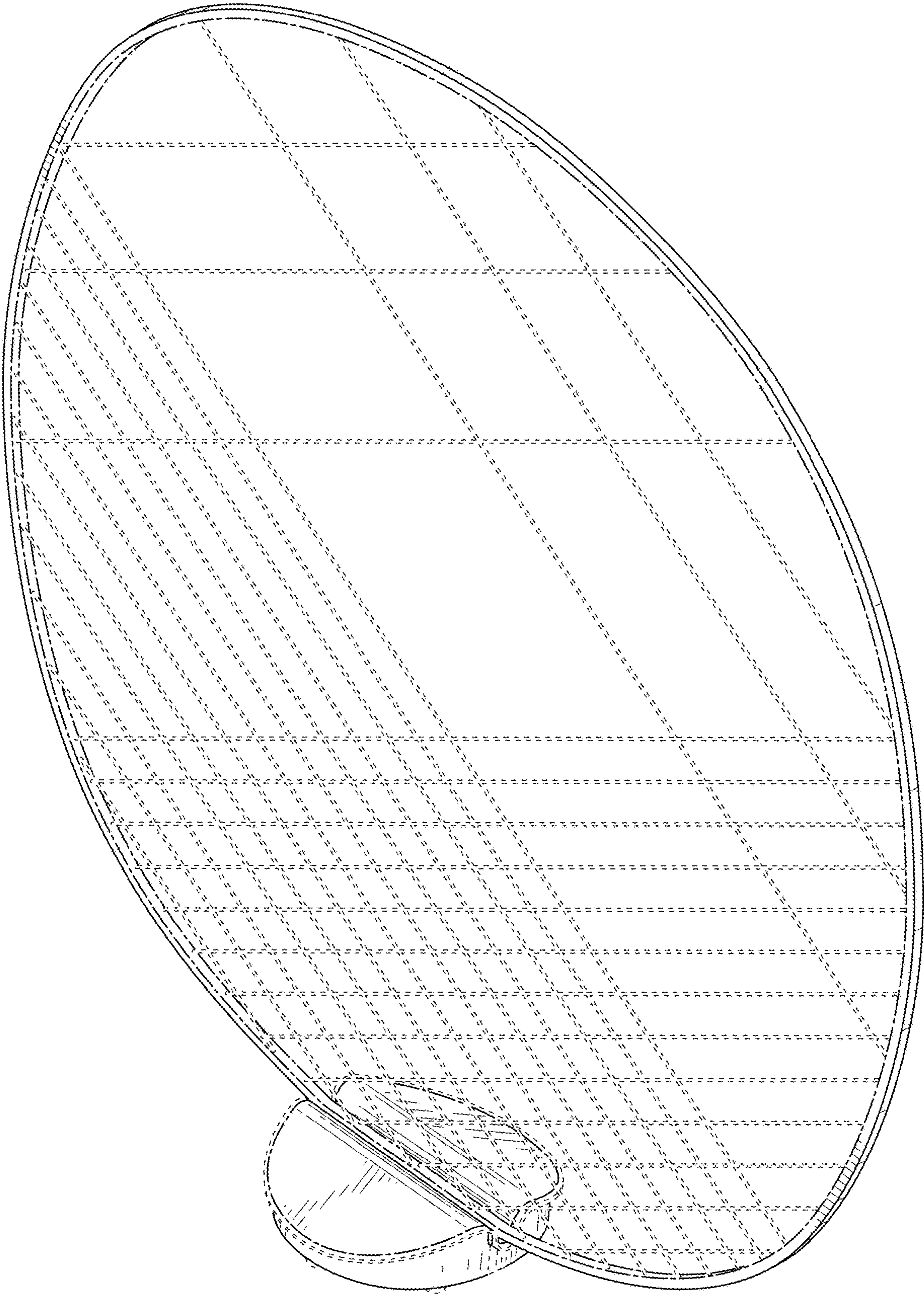


FIG. 1

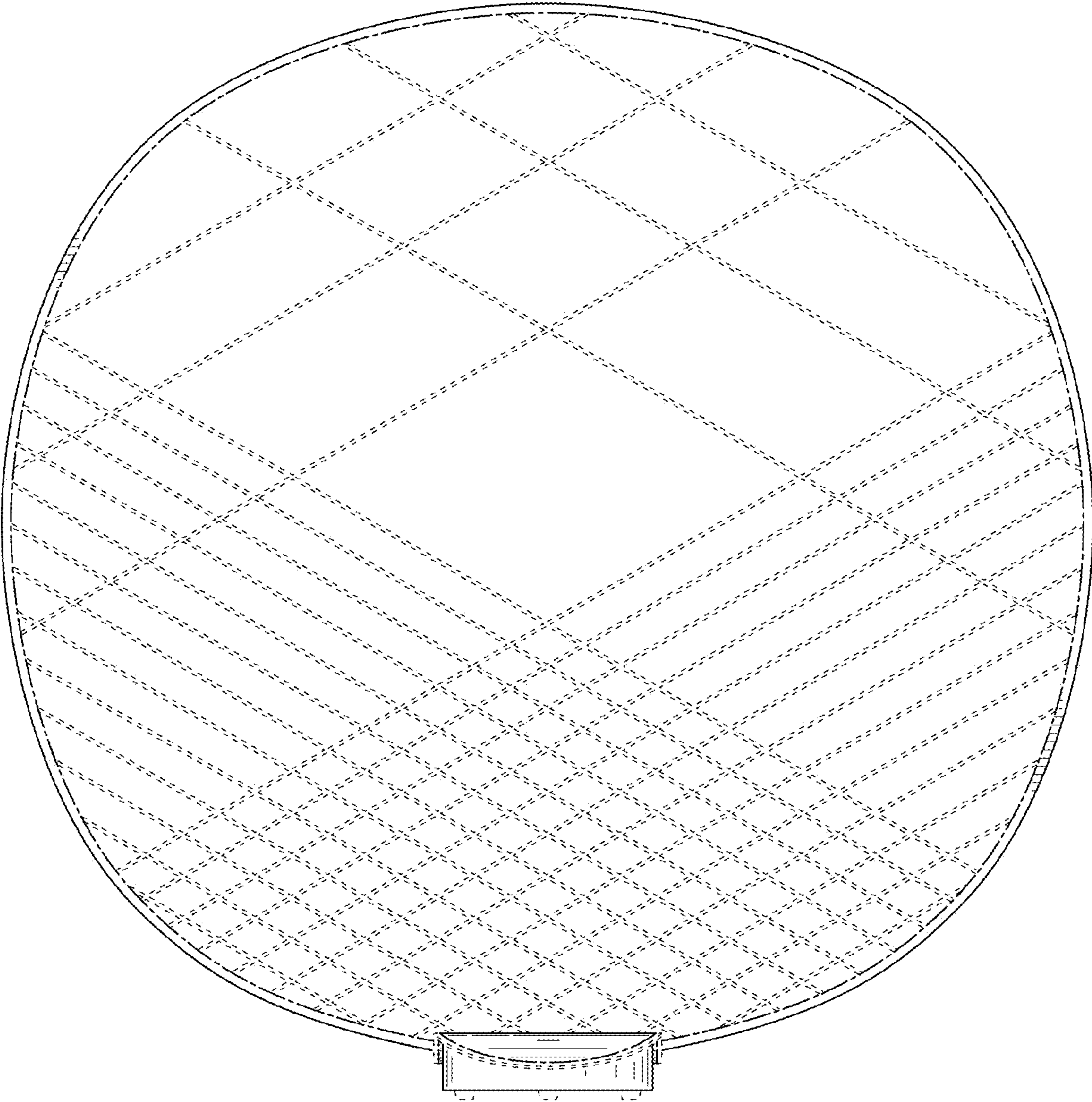
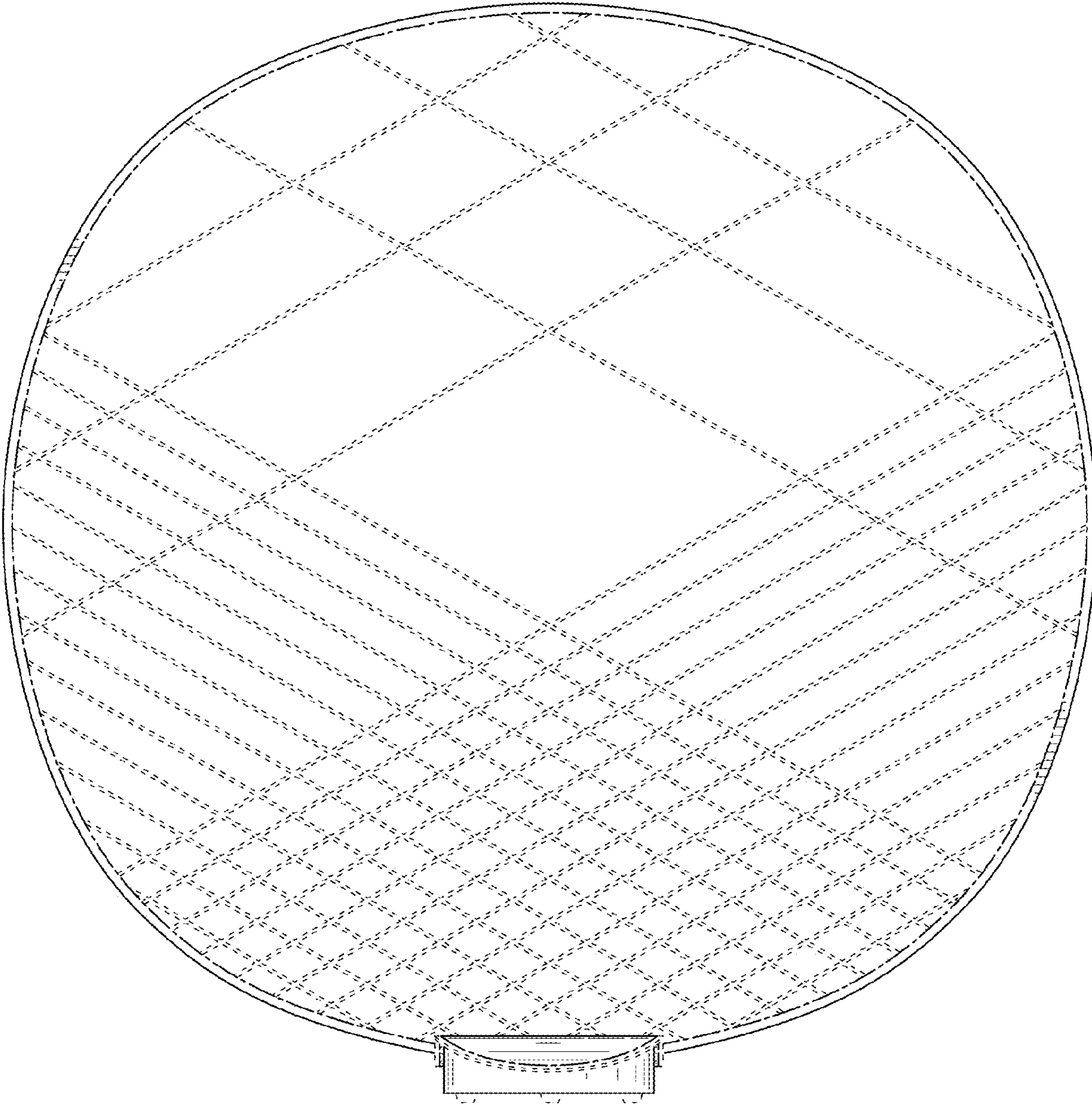
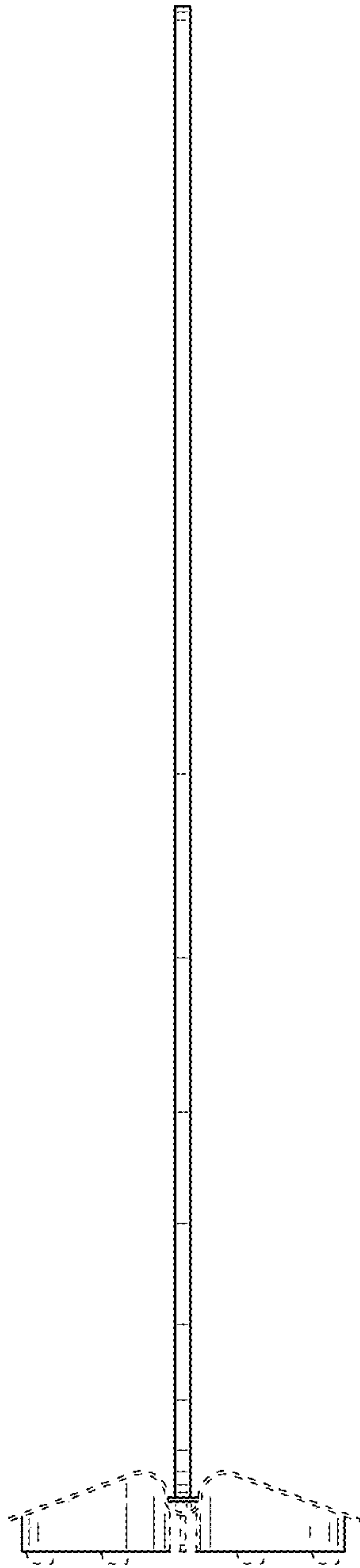


FIG. 2

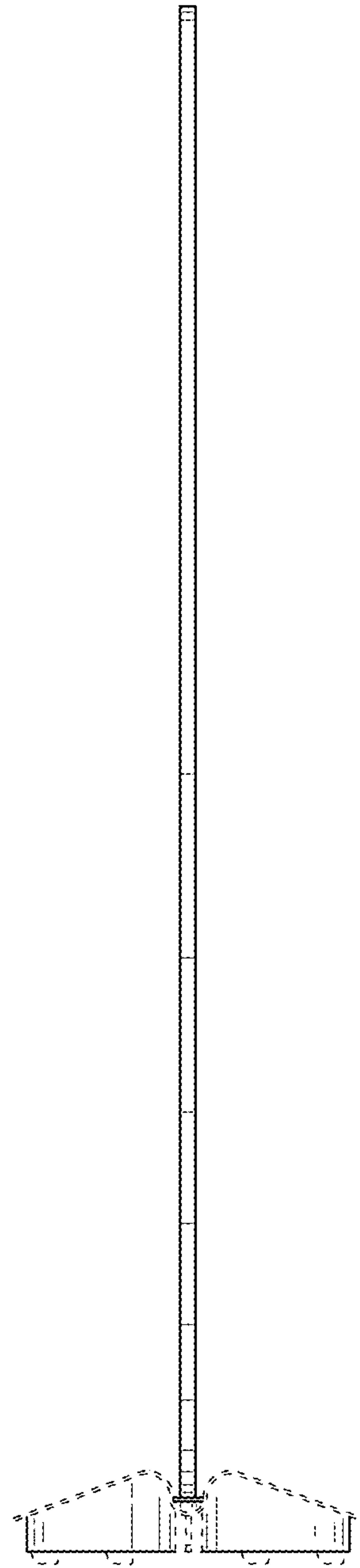




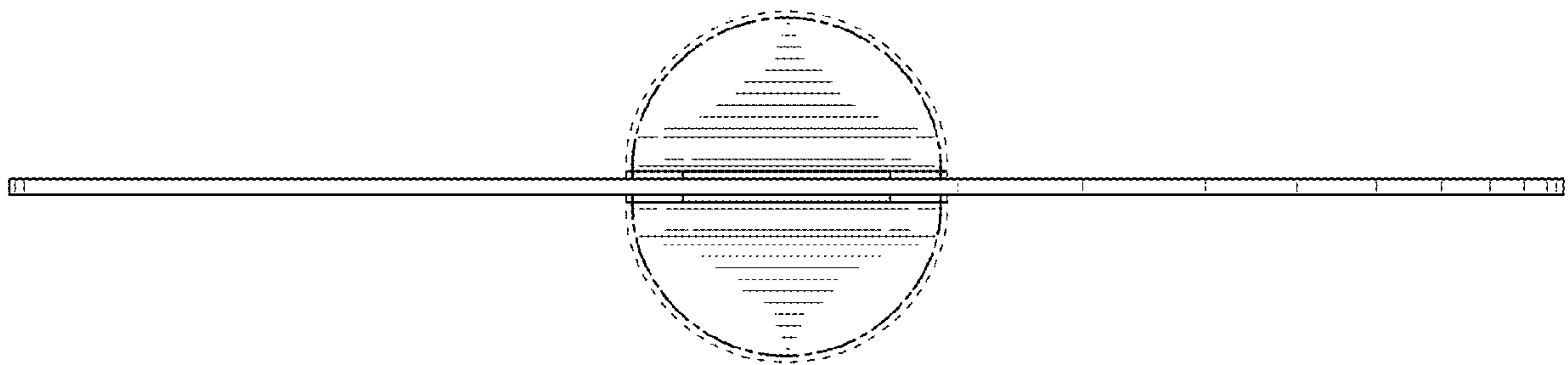
**FIG. 3**



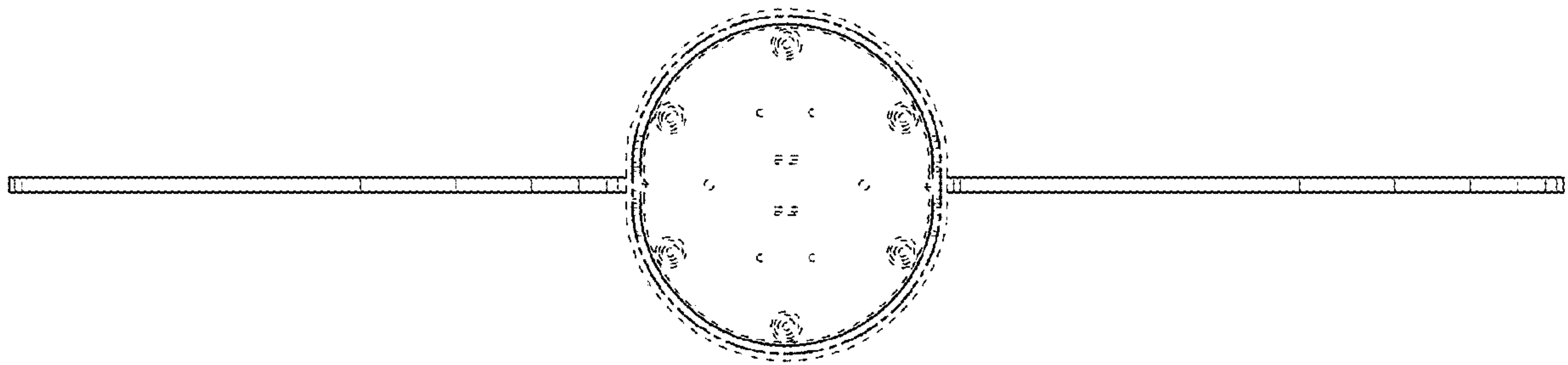
**FIG. 4**



**FIG. 5**



**FIG. 6**



**FIG. 7**

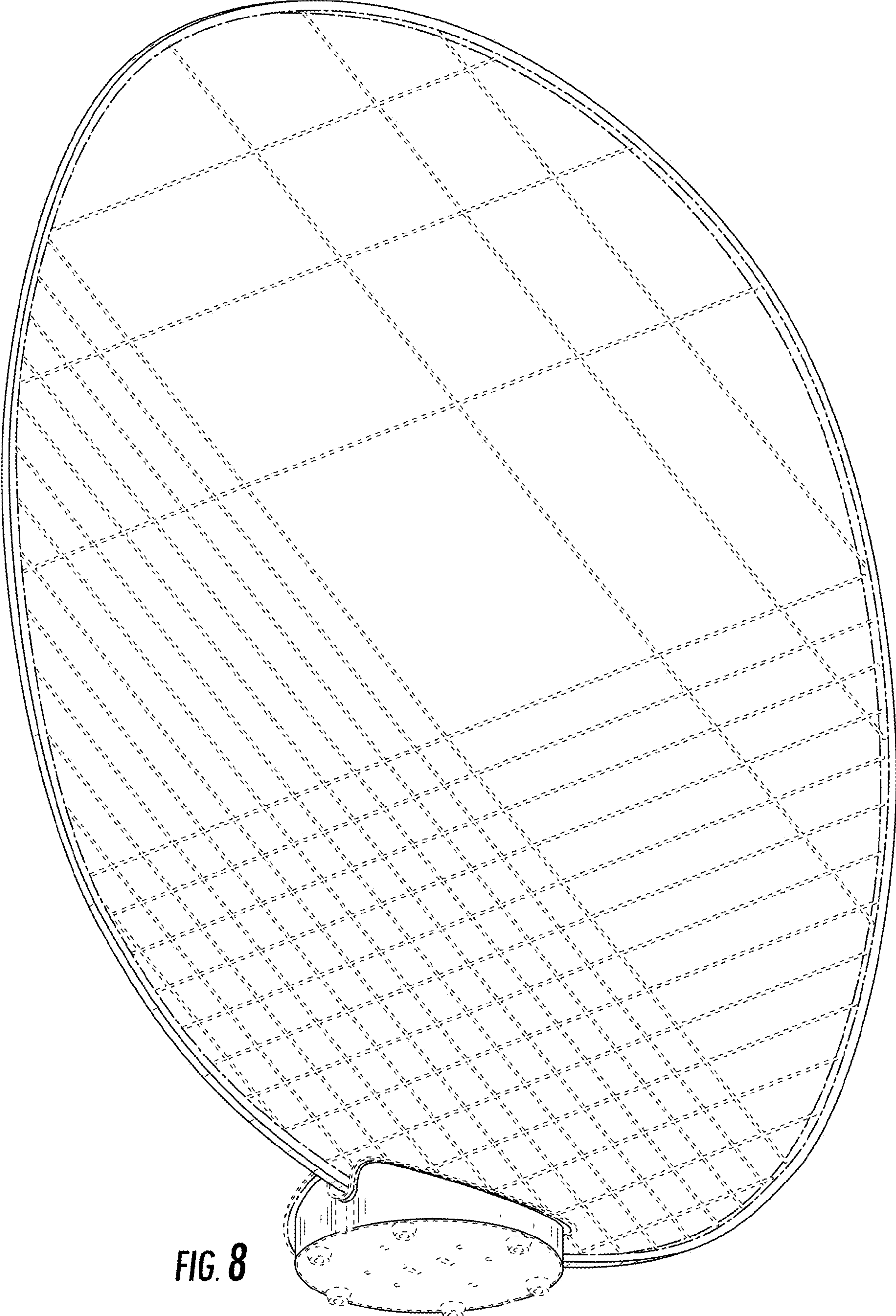


FIG. 8