



US00D874162S

(12) **United States Design Patent** (10) **Patent No.:** **US D874,162 S**
Greenwalt (45) **Date of Patent:** **** Feb. 4, 2020**

(54) **VANITY MIRROR**
(71) Applicant: **MerchSource, LLC**, Irvine, CA (US)
(72) Inventor: **Christopher Greenwalt**, Irvine, CA (US)
(73) Assignee: **MerchSource, LLC**, Irvine, CA (US)
(**) Term: **15 Years**
(21) Appl. No.: **29/668,276**

8,162,502 B1 4/2012 Zadro
8,356,908 B1 1/2013 Zadro
D699,448 S 2/2014 Yang et al.
D699,952 S 2/2014 Yang et al.
D701,050 S 3/2014 Yang et al.
D701,507 S 3/2014 Cope
D702,048 S 4/2014 Fung
D707,454 S 6/2014 Pitot
8,746,917 B2 6/2014 Zimmerman
D711,874 S 8/2014 Cope
D727,630 S 4/2015 Zadro
D729,525 S 5/2015 Tsai
D729,527 S 5/2015 Tsai
D730,065 S 5/2015 Tsai

(Continued)

(22) Filed: **Oct. 29, 2018**
(51) **LOC (12) Cl.** **06-06**
(52) **U.S. Cl.**
USPC **D6/310; D6/309**
(58) **Field of Classification Search**
USPC D6/300-314
CPC A47G 1/00; A47G 2001/002; A45D 42/10;
F21V 33/004
See application file for complete search history.

FOREIGN PATENT DOCUMENTS

WO 2011008779 A1 1/2011
Primary Examiner — Deanna L Pratt
(74) *Attorney, Agent, or Firm* — Avyno Law P.C.

(57) **CLAIM**

I claim the ornamental design for a vanity mirror, as shown and described.

DESCRIPTION

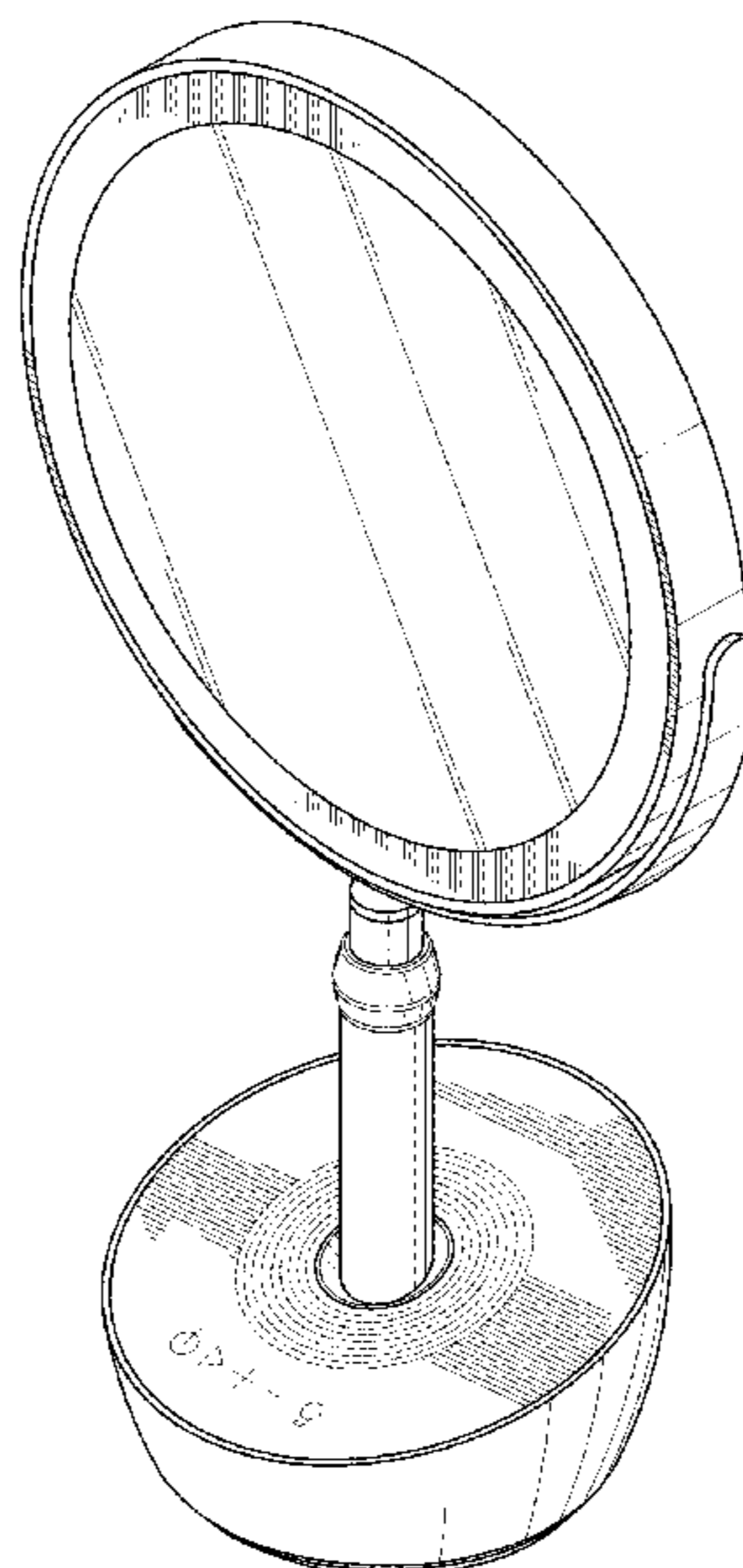
FIG. 1 is a top front perspective view of a vanity mirror. FIG. 2 is a bottom front perspective view of the vanity mirror of FIG. 1. FIG. 3 is a front view of the vanity mirror of FIG. 1. FIG. 4 is a rear view of the vanity mirror of FIG. 1. FIG. 5 is a side view of the left side of the vanity mirror of FIG. 1. FIG. 6 is a side view of the right side of the vanity mirror of FIG. 1. FIG. 7 is a top view of the vanity mirror of FIG. 1; and, FIG. 8 is a bottom view of the vanity mirror of FIG. 1. The broken lines illustrate portions of the vanity mirror that form no part of the claimed design.

1 Claim, 6 Drawing Sheets

(56) **References Cited**

U.S. PATENT DOCUMENTS

D114,451 S 4/1939 Lazarus
D208,234 S 8/1967 Ely
4,072,314 A 2/1978 Rosen et al.
5,997,149 A 12/1999 Chu
D425,313 S 5/2000 Zadro
6,241,357 B1 6/2001 Lee
6,273,585 B1 8/2001 Wu
6,305,809 B1 10/2001 Zadro
D454,701 S * 3/2002 Eric D6/308
D509,369 S 9/2005 Snell
7,048,406 B1 5/2006 Shih
D532,981 S 12/2006 Zadro
D547,555 S 7/2007 Lo et al.
7,513,476 B1 4/2009 Huang
D649,790 S 12/2011 Pitot
D652,220 S 1/2012 Pitot
D657,576 S 4/2012 Pitot



(56)

References Cited

U.S. PATENT DOCUMENTS

D736,001	S	8/2015	Yang et al.	
D737,060	S	8/2015	Yang et al.	
D738,118	S	9/2015	Gyanendra et al.	
9,232,846	B2	1/2016	Fung	
D754,446	S	4/2016	Yang et al.	
9,347,660	B1	5/2016	Zadro	
D779,836	S	2/2017	Bailey	
9,638,410	B2	5/2017	Yang et al.	
D793,099	S	8/2017	Bailey	
9,897,306	B2	2/2018	Yang et al.	
D830,070	S *	10/2018	Liu	D6/309
D830,706	S *	10/2018	Pitot	D6/309
D840,699	S *	2/2019	Xie	D6/309
D845,652	S *	4/2019	Yang	D6/309
D846,288	S *	4/2019	Yang	D6/309
D850,125	S *	6/2019	Wang	D6/309

* cited by examiner

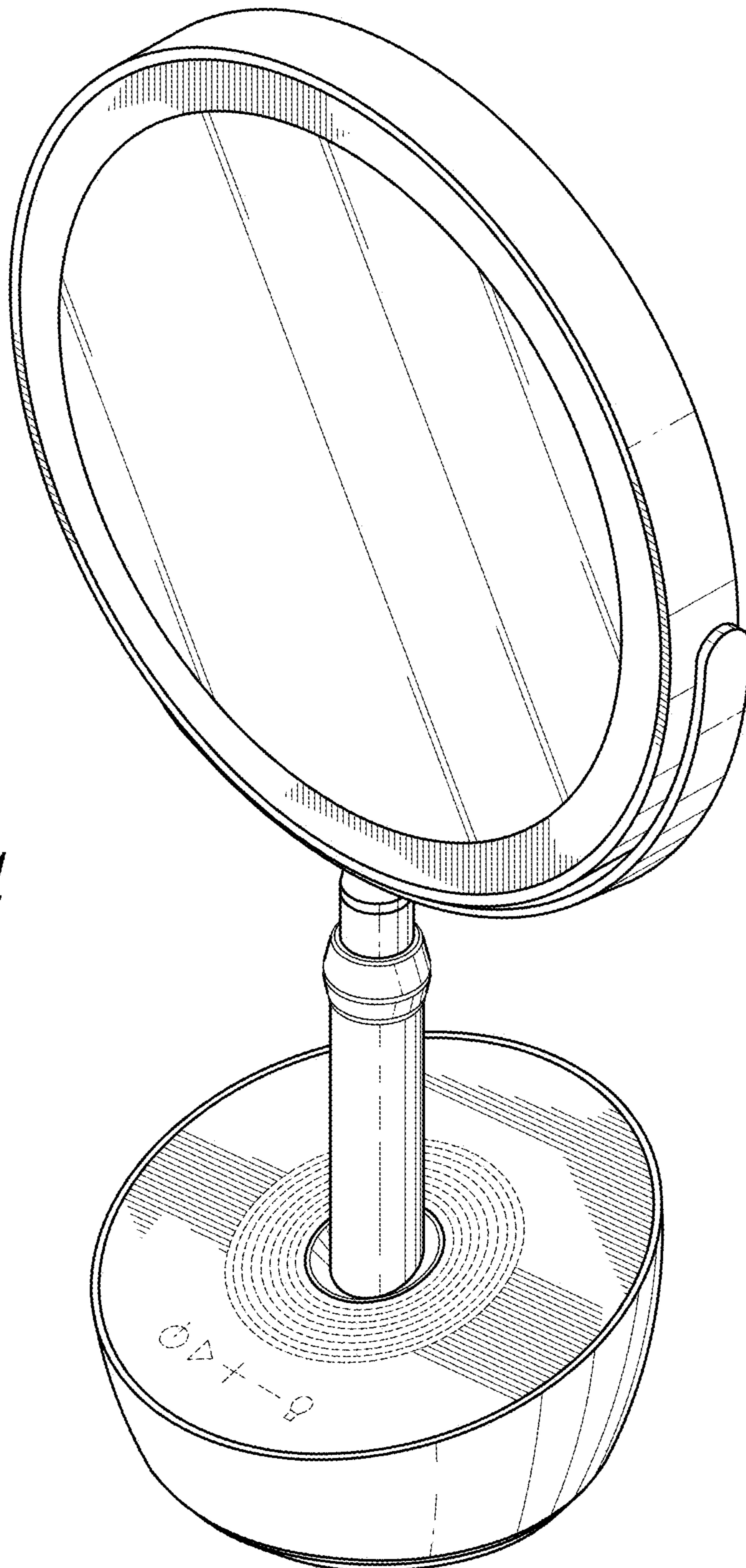


FIG. 1

FIG. 2

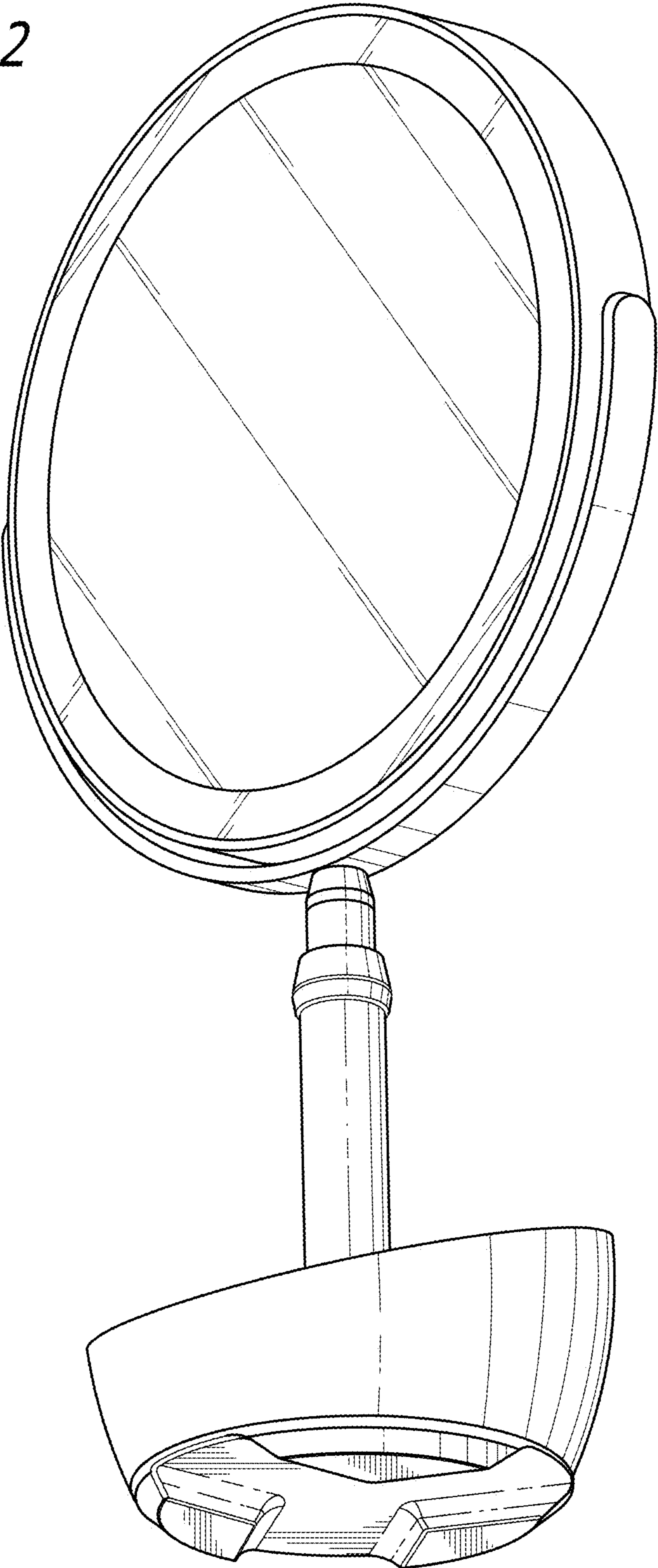


FIG. 3

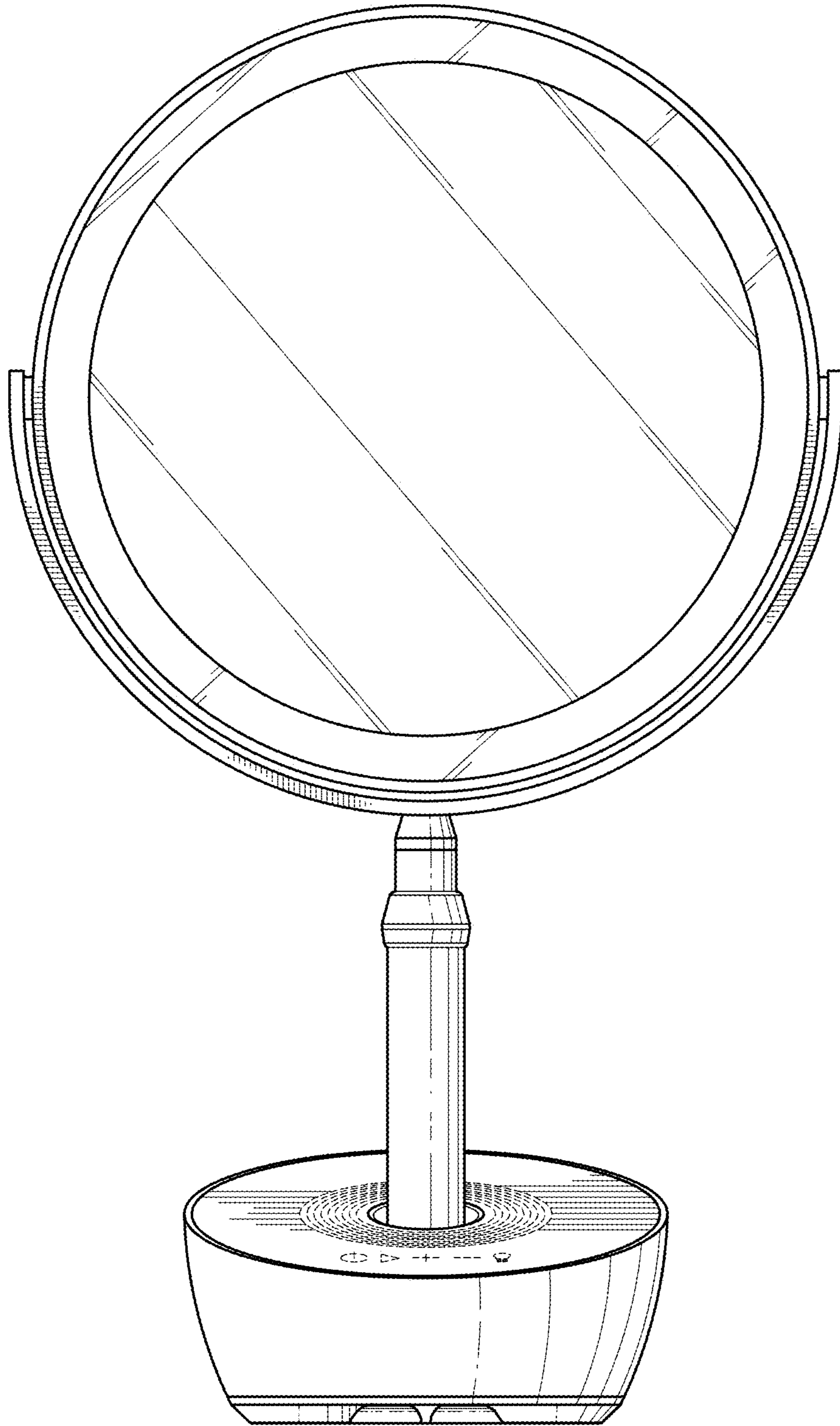


FIG. 4

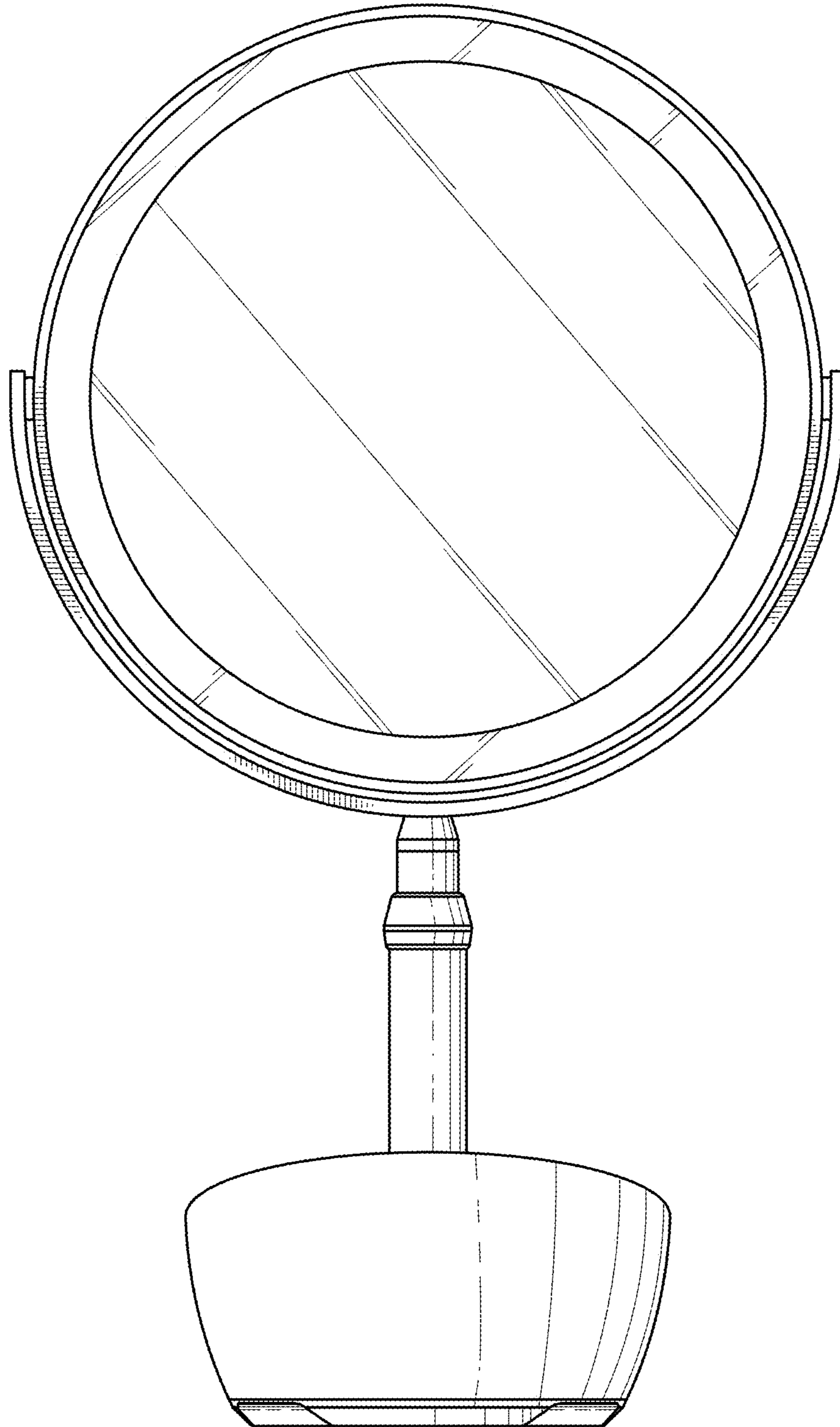


FIG. 5

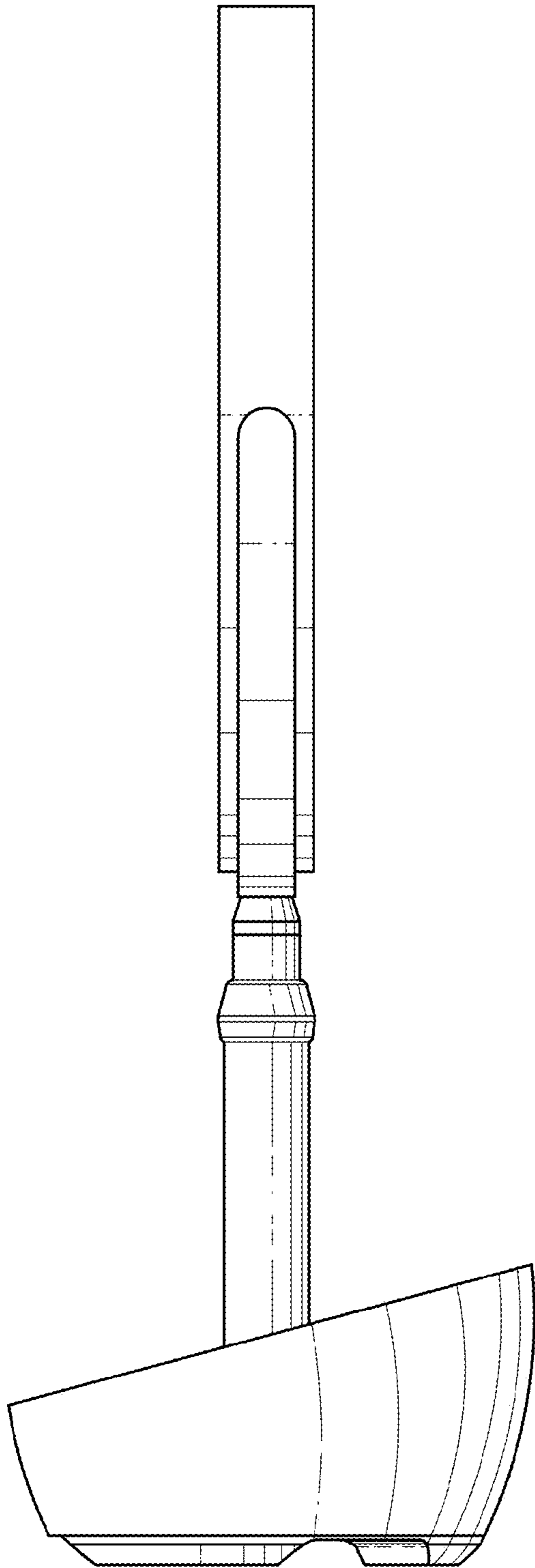
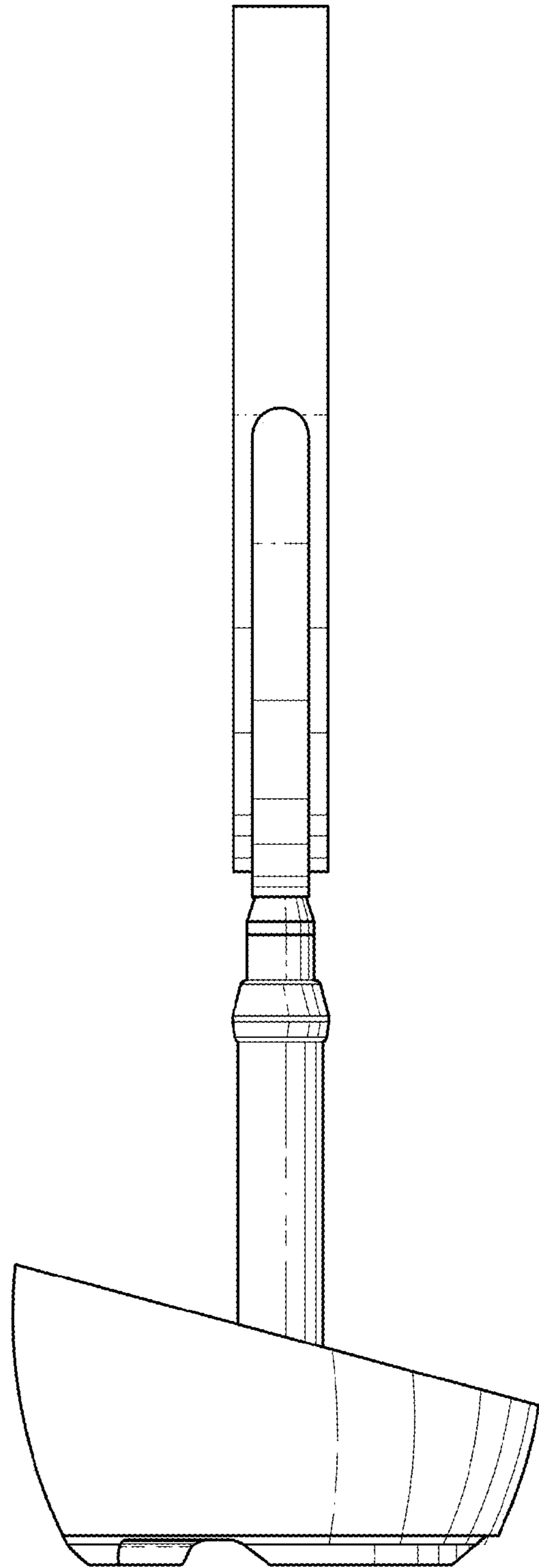


FIG. 6



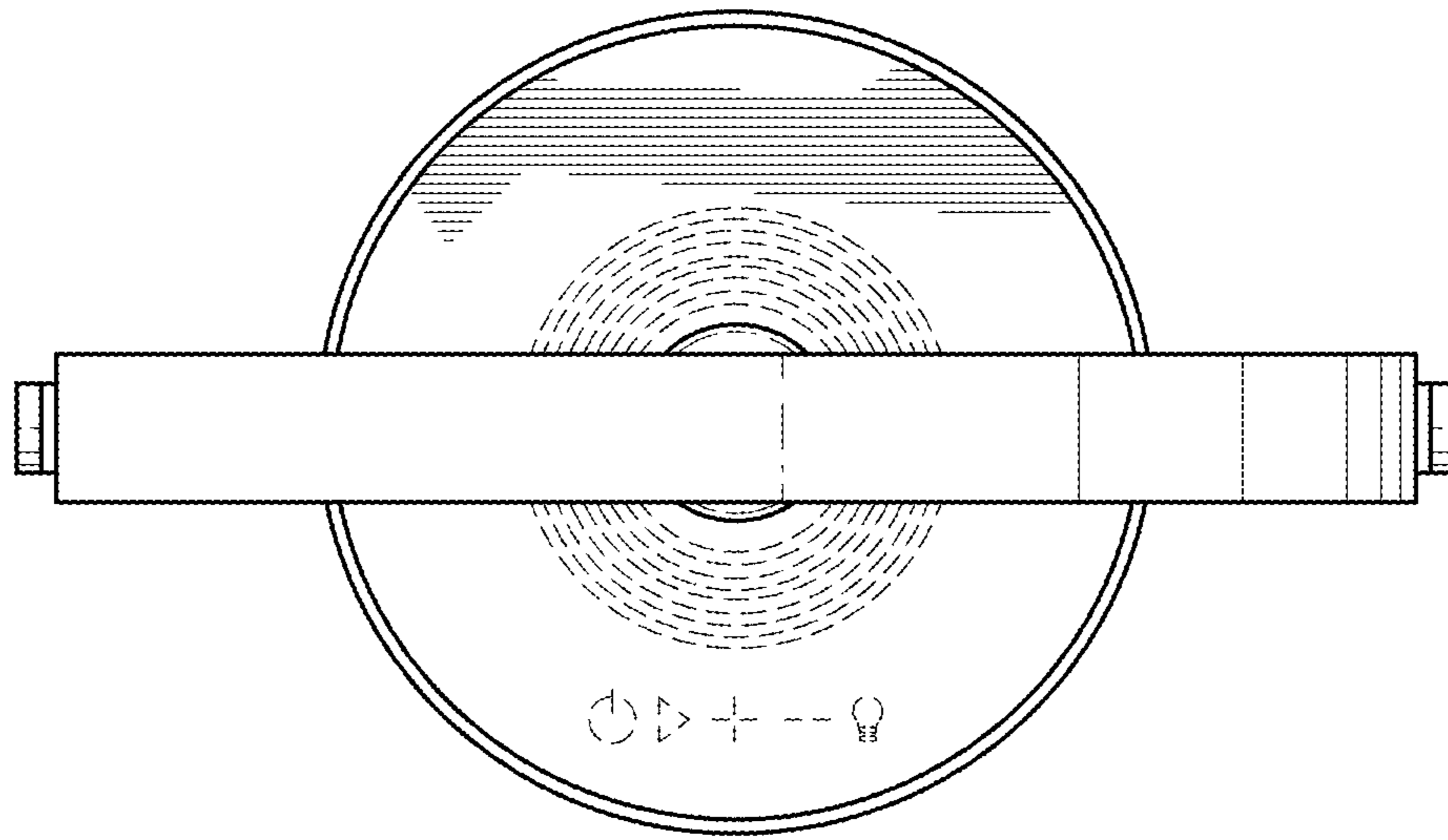


FIG. 7

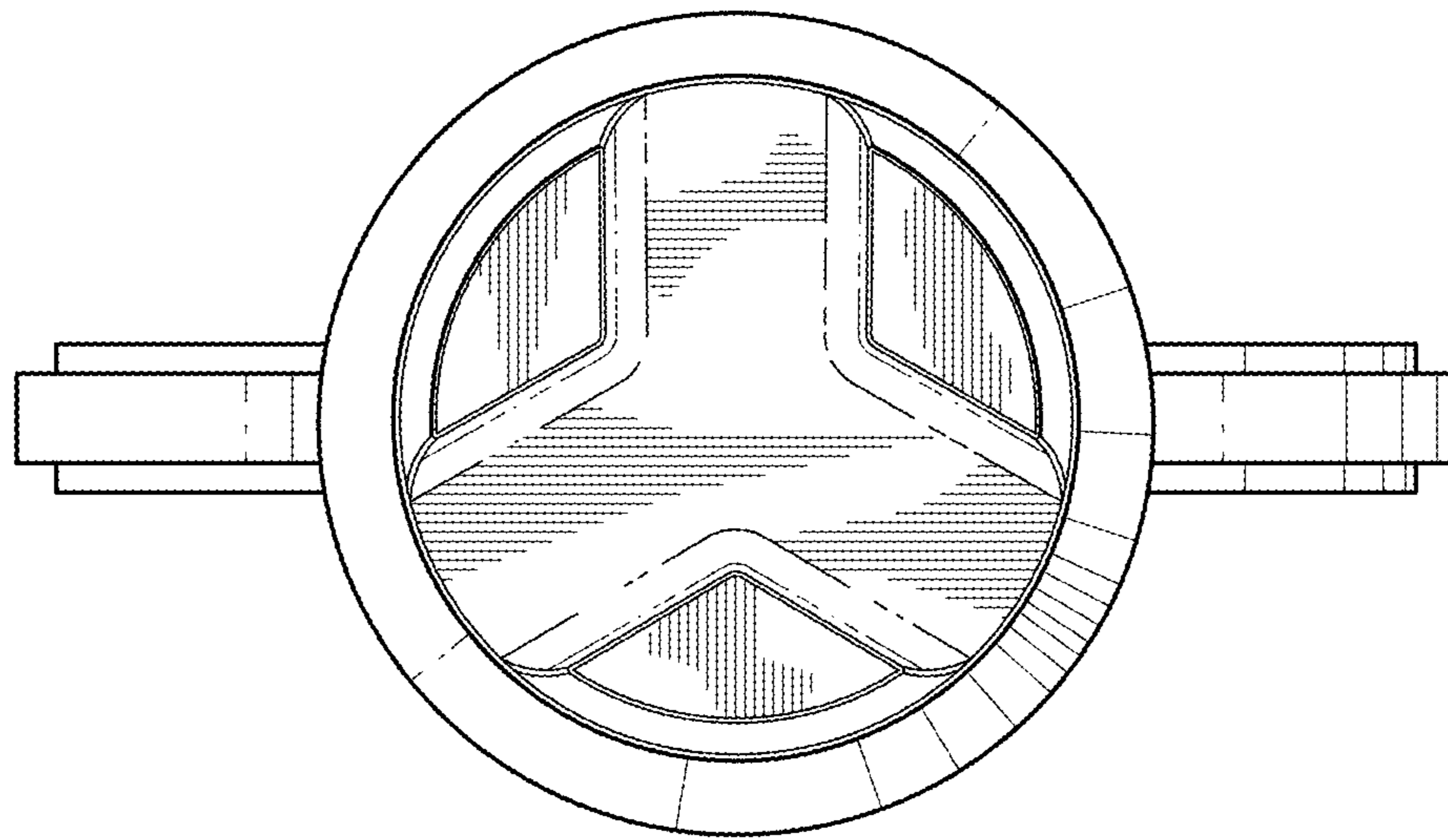


FIG. 8