



US00D874160S

(12) **United States Design Patent** (10) **Patent No.:** **US D874,160 S**  
**Biesinger** (45) **Date of Patent:** **\*\* Feb. 4, 2020**

- (54) **MIRROR WITH INTEGRATED FAN**
- (71) Applicant: **MUNCHKIN, INC.**, Van Nuys, CA (US)
- (72) Inventor: **Quinn Michael Biesinger**, Los Angeles, CA (US)
- (73) Assignee: **MUNCHKIN INC.**, Van Nuys, CA (US)
- (\*\*) Term: **15 Years**
- (21) Appl. No.: **29/617,408**
- (22) Filed: **Sep. 13, 2017**
- (51) **LOC (12) Cl.** ..... **06-06**
- (52) **U.S. Cl.**  
USPC ..... **D6/300; D23/370**
- (58) **Field of Classification Search**  
USPC ..... **D6/300-314; D23/370**  
CPC ..... **A47G 1/00; A47G 1/02; B60R 1/12**  
See application file for complete search history.

- (56) **References Cited**  
U.S. PATENT DOCUMENTS
- 4,701,594 A \* 10/1987 Powell ..... A45D 20/16  
219/203
- D303,179 S \* 9/1989 Evenson ..... D6/301
- 5,090,300 A \* 2/1992 Berenstein ..... A47G 1/02  
359/838
- D503,285 S \* 3/2005 Chen ..... D10/2
- D503,542 S \* 4/2005 Chen ..... D6/300
- D504,574 S \* 5/2005 Fonfeder ..... D6/300

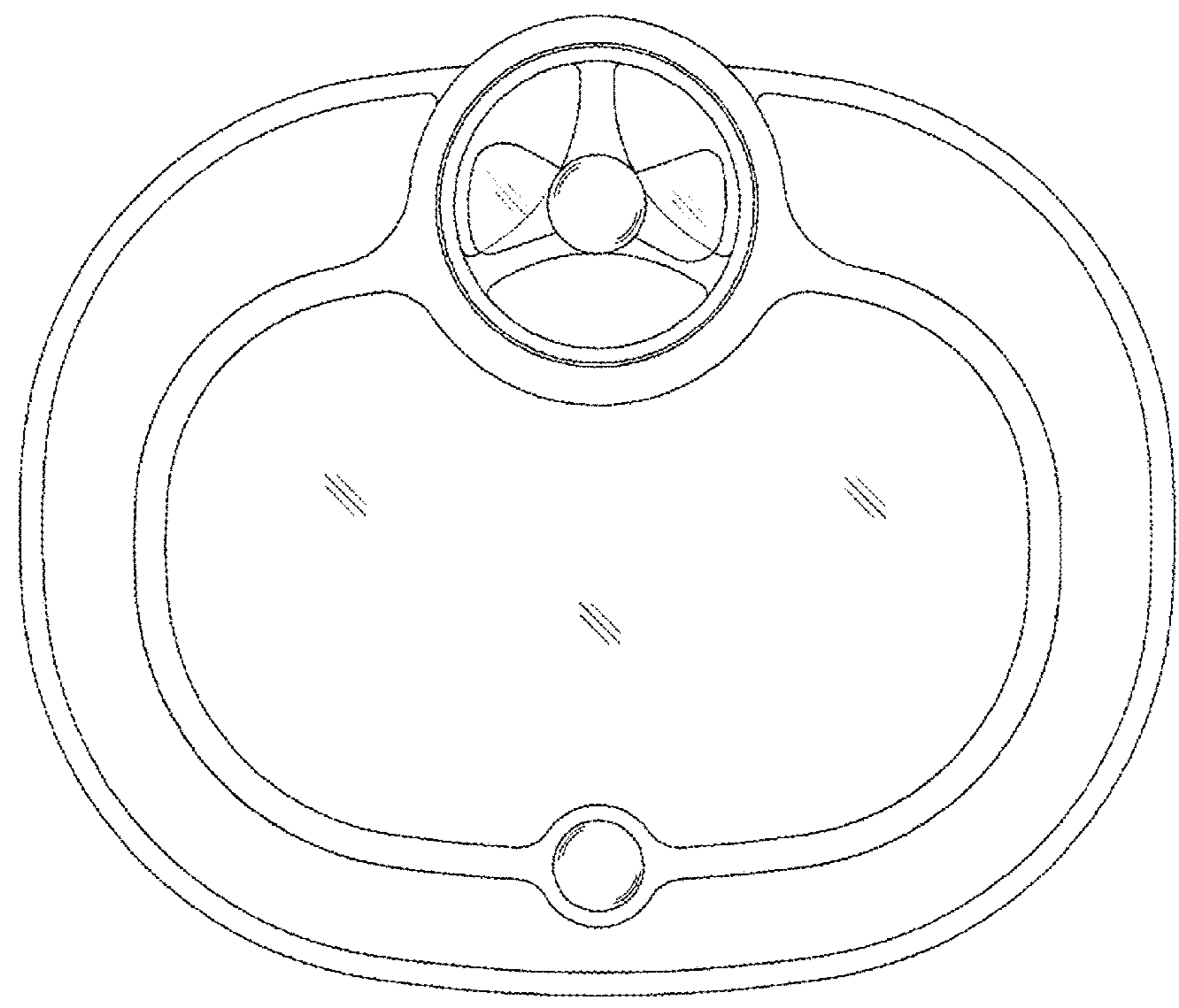
- D546,075 S \* 7/2007 Kreiss ..... D6/309
- 8,128,245 B2 \* 3/2012 Limjoco ..... A45D 42/18  
248/486
- D701,507 S \* 3/2014 Cope ..... D14/374
- D738,118 S \* 9/2015 Gyanendra ..... D6/310
- D824,012 S \* 7/2018 Xu ..... D23/382
- 2008/0297438 A1 \* 12/2008 Lin ..... A47G 1/142  
345/30
- 2009/0147155 A1 \* 6/2009 Hsu ..... G06F 1/1601  
348/836
- 2018/0236941 A1 \* 8/2018 Biesinger ..... B60R 1/12

\* cited by examiner  
*Primary Examiner* — Deanna L Pratt  
(74) *Attorney, Agent, or Firm* — Robert Z. Evora, Esq.

(57) **CLAIM**  
The ornamental design for a mirror with integrated fan, as shown and described.

**DESCRIPTION**  
FIG. 1 is a front view of a mirror with integrated fan of our new design;  
FIG. 2 is a back view thereof;  
FIG. 3 is a bottom view thereof;  
FIG. 4 is a top view thereof; and,  
FIG. 5 is a right side view thereof, the left side view being a mirror image of the right side view.  
The broken lines shown in the drawings represent environmental structure in FIGS. 1-5 that form no part of the claimed design.

**1 Claim, 5 Drawing Sheets**



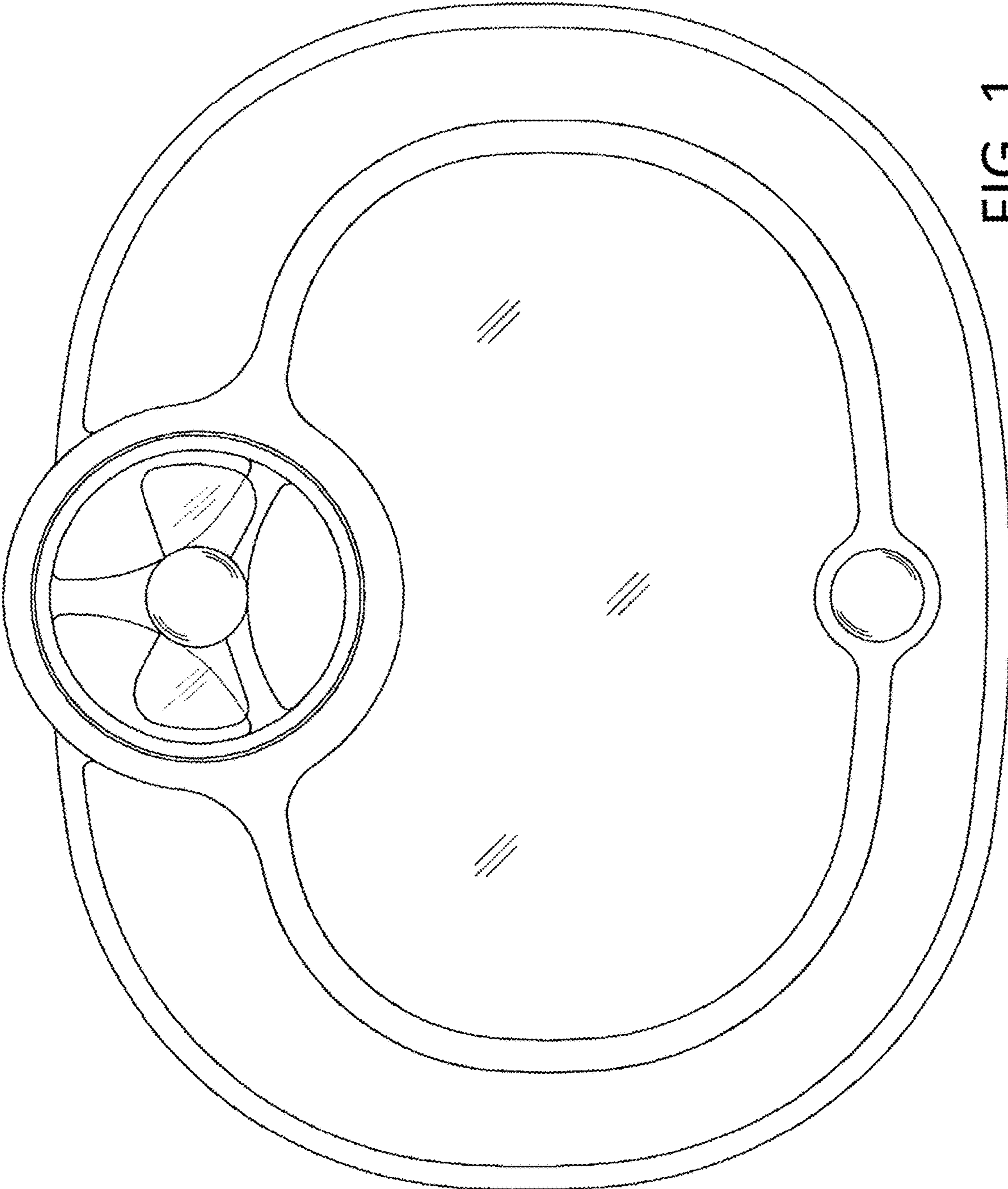


FIG. 1

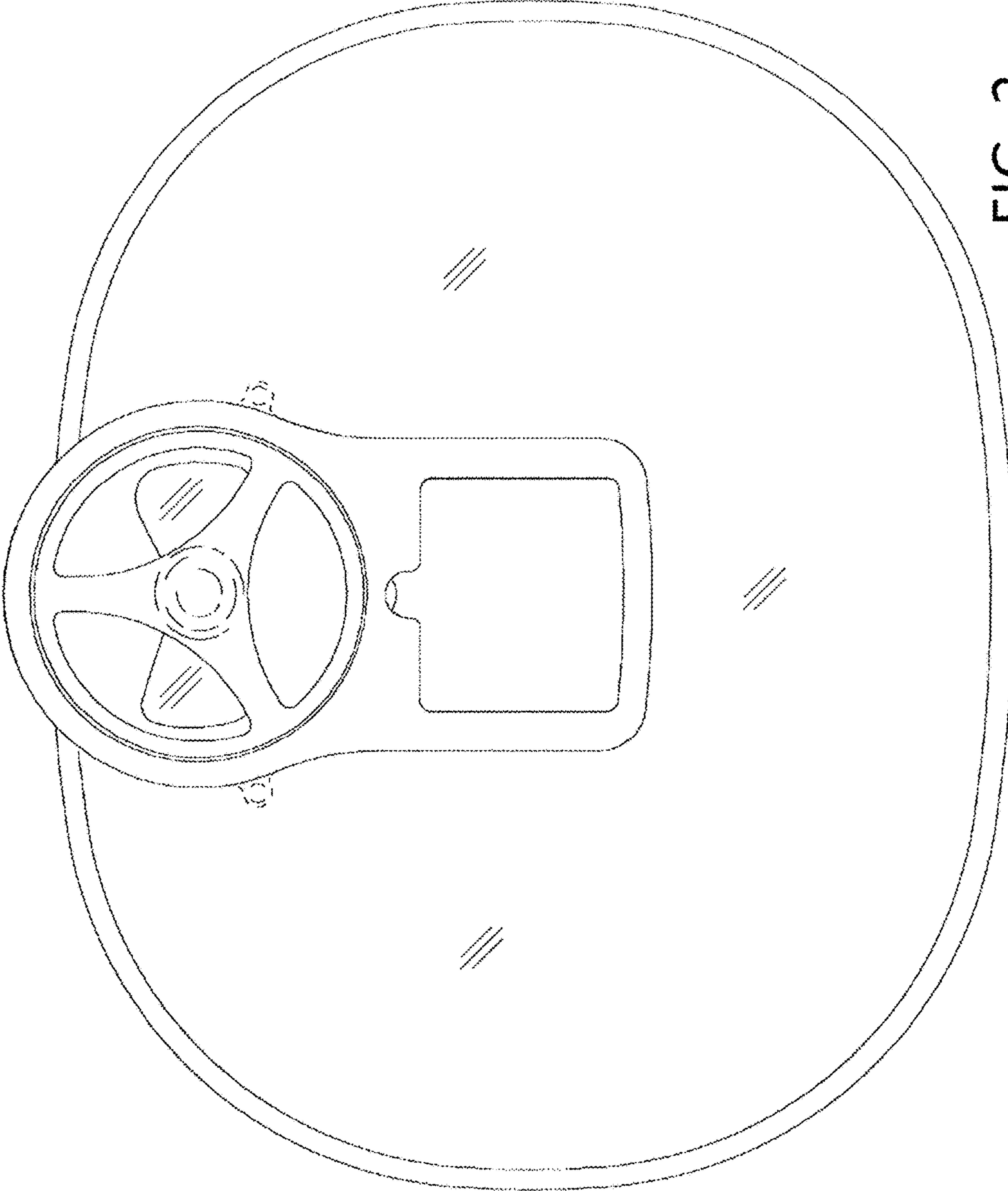


FIG. 2

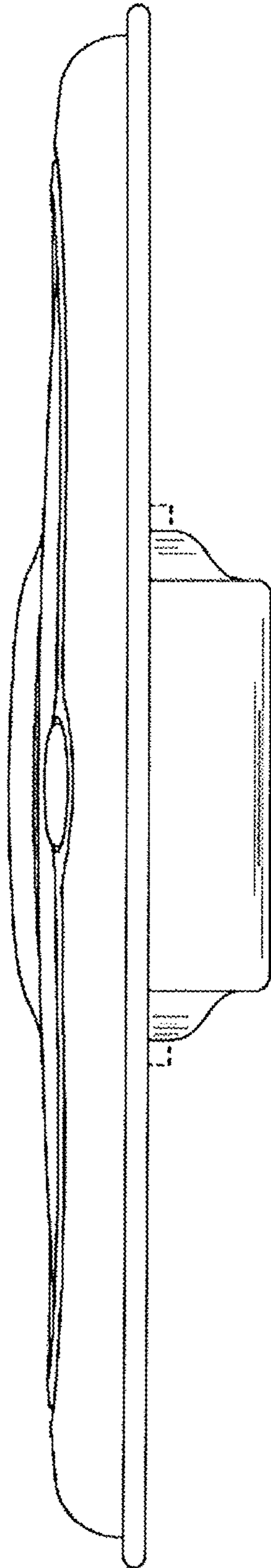


FIG. 3

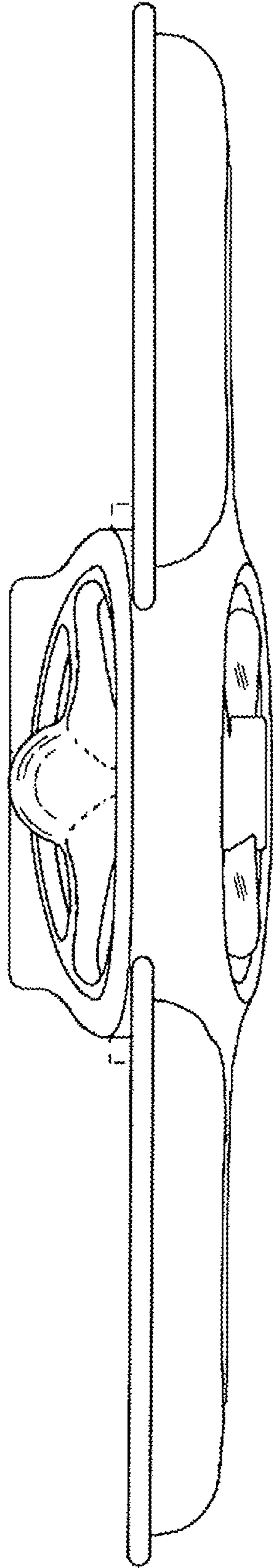


FIG. 4

FIG. 5

