



US00D874155S

(12) **United States Design Patent Grant** (10) **Patent No.:** **US D874,155 S**  
(45) **Date of Patent:** **\*\* Feb. 4, 2020**

(54) **COMBINATION TOOTHBRUSH AND TONGUE SCRAPER**

(71) Applicant: **Bao Tea, Inc.**, Orange, CA (US)

(72) Inventor: **Bao-Thy N. Grant**, Newport Beach, CA (US)

(73) Assignee: **Bao Tea, Inc.**, Orange, CA (US)

(\*\*) Term: **15 Years**

(21) Appl. No.: **29/633,957**

(22) Filed: **Jan. 17, 2018**

(51) **LOC (12) Cl.** ..... **04-02**

(52) **U.S. Cl.**  
USPC ..... **D4/108**

(58) **Field of Classification Search**  
USPC ..... D4/100, 101, 102, 104, 105, 106, 107, D4/108, 109, 110, 111, 112, 113, 114,  
(Continued)

(56) **References Cited**

**U.S. PATENT DOCUMENTS**

1,470,710 A \* 10/1923 Lawrence ..... A46B 9/005  
15/167.1

1,701,616 A 2/1929 Gross  
(Continued)

**FOREIGN PATENT DOCUMENTS**

CN 1977772 A 6/2007  
CN 201079424 U 7/2008

(Continued)

**OTHER PUBLICATIONS**

Bao Tea toothbrush with Tongue Brush Scraper (Mint Green) [on-line]. Retrieved from the Internet Apr. 27, 2019. URL: <<https://www.baotea.com/collections/featured-products/products/toothbrush>>. (7 pages) (Year: 2019).\*

*Primary Examiner* — Karen E Eldridge Powers

(74) *Attorney, Agent, or Firm* — Knobbe, Martens, Olson & Bear LLP

(57) **CLAIM**

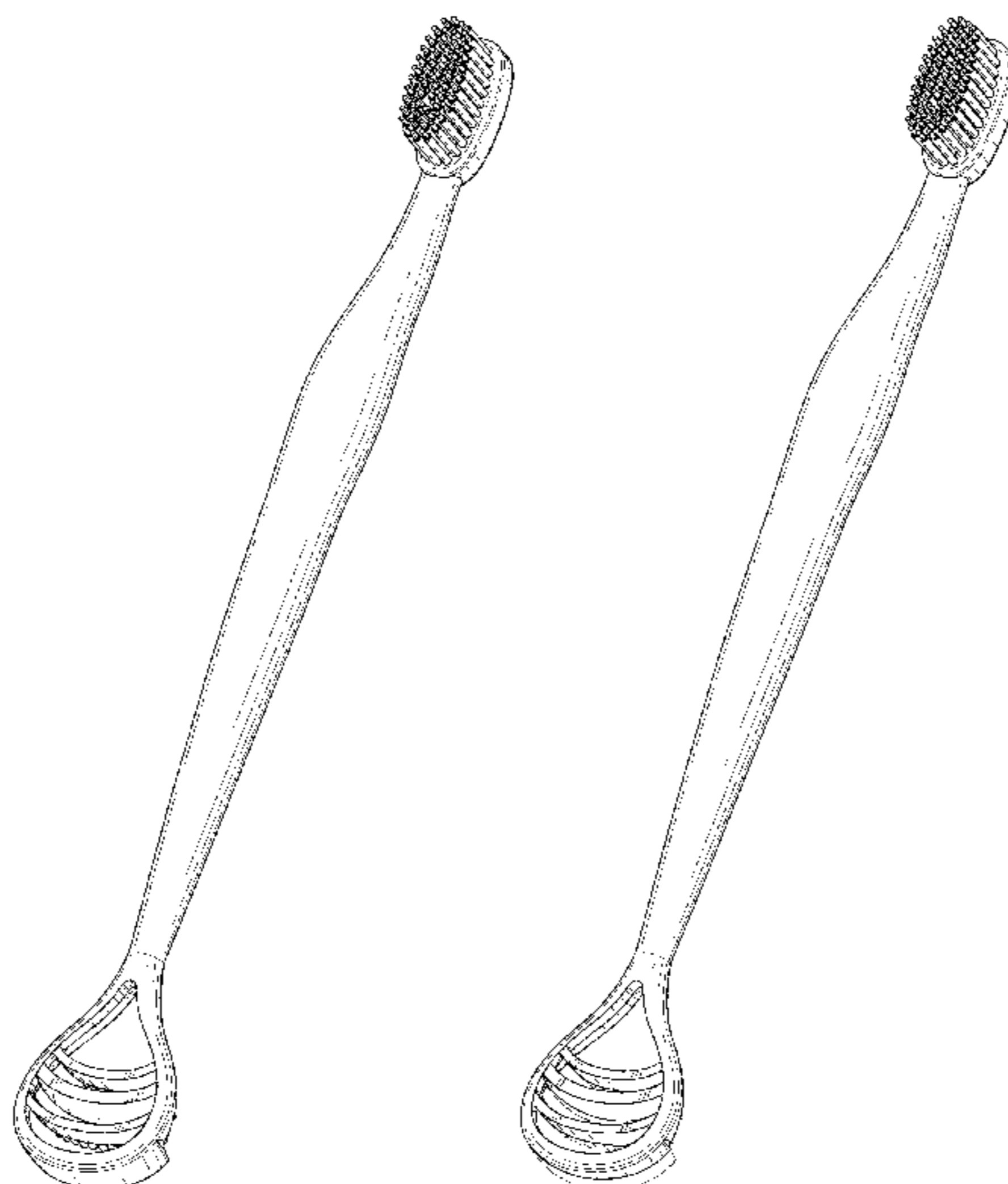
I claim the ornamental design for an combination toothbrush and tongue scraper, as shown and described.

**DESCRIPTION**

FIG. 1 is a front perspective view of a first embodiment of a combination toothbrush and tongue scraper; FIG. 2 is a back perspective view thereof; FIG. 3 is a front elevation view thereof; FIG. 4 is a back elevation view thereof; FIG. 5 is a first side elevation view thereof; FIG. 6 is a second side elevation view thereof; FIG. 7 is a first end view thereof; FIG. 8 is a second end view thereof; FIG. 9 is a front perspective view of a second embodiment of a combination toothbrush and tongue scraper; FIG. 10 is a back perspective view thereof; FIG. 11 is a front elevation view thereof; FIG. 12 is a back elevation view thereof; FIG. 13 is a first side elevation view thereof; FIG. 14 is a second side elevation view thereof; FIG. 15 is a first end view thereof; FIG. 16 is a second end view thereof; FIG. 17 is a front perspective view of a third embodiment of a combination toothbrush and tongue scraper; FIG. 18 is a back perspective view thereof; FIG. 19 is a front elevation view thereof; FIG. 20 is a back elevation view thereof; FIG. 21 is a first side elevation view thereof; FIG. 22 is a second side elevation view thereof; FIG. 23 is a first end view thereof; and, FIG. 24 is a second end view thereof.

The broken lines, where shown, are for illustrating environmental structure and form no part of the claimed design. The second embodiment is illustrated with a symbolic break in its length. The appearance of any portion of the article between the break lines forms no part of the claimed design.

**1 Claim, 21 Drawing Sheets**



# US D874,155 S

- (58) **Field of Classification Search**
- |  |   |  |        |        |              |        |              |            |        |      |                |        |  |              |        |        |            |         |        |            |        |       |            |        |      |            |        |        |            |        |      |            |        |       |            |        |                  |            |        |               |            |        |           |            |         |            |              |        |                   |              |        |           |            |        |             |              |        |                     |            |        |       |            |        |                |              |        |        |            |        |     |            |        |      |            |        |                |            |        |      |              |         |              |              |        |         |                |        |                          |                 |        |               |                 |        |      |                 |        |           |                 |        |         |                 |        |       |                 |        |                |                 |        |               |                 |        |               |
|--|---|--|--------|--------|--------------|--------|--------------|------------|--------|------|----------------|--------|--|--------------|--------|--------|------------|---------|--------|------------|--------|-------|------------|--------|------|------------|--------|--------|------------|--------|------|------------|--------|-------|------------|--------|------------------|------------|--------|---------------|------------|--------|-----------|------------|---------|------------|--------------|--------|-------------------|--------------|--------|-----------|------------|--------|-------------|--------------|--------|---------------------|------------|--------|-------|------------|--------|----------------|--------------|--------|--------|------------|--------|-----|------------|--------|------|------------|--------|----------------|------------|--------|------|--------------|---------|--------------|--------------|--------|---------|----------------|--------|--------------------------|-----------------|--------|---------------|-----------------|--------|------|-----------------|--------|-----------|-----------------|--------|---------|-----------------|--------|-------|-----------------|--------|----------------|-----------------|--------|---------------|-----------------|--------|---------------|
| USPC ..... D4/115, 116, 119, 120, 121, 124, 125,<br>D4/130, 132, 134, 138, 199; D24/111,<br>D24/154, 147; D28/7<br><br>CPC .... A46B 2200/1066; A46B 2200/1073; A46B<br>2200/1086; A46B 5/02; A46B 9/04; A46B<br>5/002; A46B 5/0083; A46B 15/0081;<br>A61B 17/244<br><br>See application file for complete search history. | <table style="width: 100%; border-collapse: collapse;"> <tr><td>6,083,235 A</td><td>7/2000</td><td>Wagner</td></tr> <tr><td>6,171,323 B1</td><td>1/2001</td><td>Potti et al.</td></tr> <tr><td>D447,238 S</td><td>8/2001</td><td>Tang</td></tr> <tr><td>6,273,719 B1 *</td><td>8/2001</td><td>Whitman ..... A46B 15/0055<br/>15/167.1</td></tr> <tr><td>6,352,545 B1</td><td>3/2002</td><td>Wagner</td></tr> <tr><td>D465,847 S</td><td>11/2002</td><td>Jacobs</td></tr> <tr><td>D471,276 S</td><td>3/2003</td><td>Potti</td></tr> <tr><td>D484,978 S</td><td>1/2004</td><td>Syal</td></tr> <tr><td>D515,817 S</td><td>2/2006</td><td>Siemer</td></tr> <tr><td>D527,821 S</td><td>9/2006</td><td>Cwik</td></tr> <tr><td>D528,207 S</td><td>9/2006</td><td>Kling</td></tr> <tr><td>D536,452 S</td><td>2/2007</td><td>Geiberger et al.</td></tr> <tr><td>D567,945 S</td><td>4/2008</td><td>Foster et al.</td></tr> <tr><td>D571,470 S</td><td>6/2008</td><td>Jansheski</td></tr> <tr><td>D583,943 S</td><td>12/2008</td><td>Zaksenberg</td></tr> <tr><td>7,478,452 B2</td><td>1/2009</td><td>Rosenblood et al.</td></tr> <tr><td>7,540,054 B2</td><td>6/2009</td><td>Goldstein</td></tr> <tr><td>D595,963 S</td><td>7/2009</td><td>Gronikowski</td></tr> <tr><td>D651,808 S *</td><td>1/2012</td><td>Nguyen ..... D4/108</td></tr> <tr><td>D652,925 S</td><td>1/2012</td><td>Nanda</td></tr> <tr><td>D660,004 S</td><td>5/2012</td><td>Knutzen et al.</td></tr> <tr><td>8,745,804 B2</td><td>6/2014</td><td>Jaksha</td></tr> <tr><td>D721,504 S</td><td>1/2015</td><td>Kim</td></tr> <tr><td>D723,285 S</td><td>3/2015</td><td>Song</td></tr> <tr><td>D727,626 S</td><td>4/2015</td><td>Bontemp et al.</td></tr> <tr><td>D736,379 S</td><td>8/2015</td><td>Wong</td></tr> <tr><td>9,161,613 B1</td><td>10/2015</td><td>Chirichiello</td></tr> <tr><td>9,277,931 B2</td><td>3/2016</td><td>Jimenez</td></tr> <tr><td>9,642,450 B1 *</td><td>5/2017</td><td>Singh ..... A46B 15/0081</td></tr> <tr><td>2004/0092981 A1</td><td>5/2004</td><td>Barlow et al.</td></tr> <tr><td>2006/0052805 A1</td><td>3/2006</td><td>Cwik</td></tr> <tr><td>2006/0058821 A1</td><td>3/2006</td><td>Jansheski</td></tr> <tr><td>2008/0208228 A1</td><td>8/2008</td><td>Mueller</td></tr> <tr><td>2008/0221534 A1</td><td>9/2008</td><td>Patel</td></tr> <tr><td>2009/0130637 A1</td><td>5/2009</td><td>Pantangco, III</td></tr> <tr><td>2013/0000658 A1</td><td>1/2013</td><td>Nguyen et al.</td></tr> <tr><td>2017/0007284 A1</td><td>1/2017</td><td>Georgi et al.</td></tr> </table> | 6,083,235 A                            | 7/2000 | Wagner | 6,171,323 B1 | 1/2001 | Potti et al. | D447,238 S | 8/2001 | Tang | 6,273,719 B1 * | 8/2001 | Whitman ..... A46B 15/0055<br>15/167.1 | 6,352,545 B1 | 3/2002 | Wagner | D465,847 S | 11/2002 | Jacobs | D471,276 S | 3/2003 | Potti | D484,978 S | 1/2004 | Syal | D515,817 S | 2/2006 | Siemer | D527,821 S | 9/2006 | Cwik | D528,207 S | 9/2006 | Kling | D536,452 S | 2/2007 | Geiberger et al. | D567,945 S | 4/2008 | Foster et al. | D571,470 S | 6/2008 | Jansheski | D583,943 S | 12/2008 | Zaksenberg | 7,478,452 B2 | 1/2009 | Rosenblood et al. | 7,540,054 B2 | 6/2009 | Goldstein | D595,963 S | 7/2009 | Gronikowski | D651,808 S * | 1/2012 | Nguyen ..... D4/108 | D652,925 S | 1/2012 | Nanda | D660,004 S | 5/2012 | Knutzen et al. | 8,745,804 B2 | 6/2014 | Jaksha | D721,504 S | 1/2015 | Kim | D723,285 S | 3/2015 | Song | D727,626 S | 4/2015 | Bontemp et al. | D736,379 S | 8/2015 | Wong | 9,161,613 B1 | 10/2015 | Chirichiello | 9,277,931 B2 | 3/2016 | Jimenez | 9,642,450 B1 * | 5/2017 | Singh ..... A46B 15/0081 | 2004/0092981 A1 | 5/2004 | Barlow et al. | 2006/0052805 A1 | 3/2006 | Cwik | 2006/0058821 A1 | 3/2006 | Jansheski | 2008/0208228 A1 | 8/2008 | Mueller | 2008/0221534 A1 | 9/2008 | Patel | 2009/0130637 A1 | 5/2009 | Pantangco, III | 2013/0000658 A1 | 1/2013 | Nguyen et al. | 2017/0007284 A1 | 1/2017 | Georgi et al. |
| 6,083,235 A  | 7/2000  | Wagner                                 |        |        |              |        |              |            |        |      |                |        |  |              |        |        |            |         |        |            |        |       |            |        |      |            |        |        |            |        |      |            |        |       |            |        |                  |            |        |               |            |        |           |            |         |            |              |        |                   |              |        |           |            |        |             |              |        |                     |            |        |       |            |        |                |              |        |        |            |        |     |            |        |      |            |        |                |            |        |      |              |         |              |              |        |         |                |        |                          |                 |        |               |                 |        |      |                 |        |           |                 |        |         |                 |        |       |                 |        |                |                 |        |               |                 |        |               |
| 6,171,323 B1   | 1/2001  | Potti et al.                           |        |        |              |        |              |            |        |      |                |        |  |              |        |        |            |         |        |            |        |       |            |        |      |            |        |        |            |        |      |            |        |       |            |        |                  |            |        |               |            |        |           |            |         |            |              |        |                   |              |        |           |            |        |             |              |        |                     |            |        |       |            |        |                |              |        |        |            |        |     |            |        |      |            |        |                |            |        |      |              |         |              |              |        |         |                |        |                          |                 |        |               |                 |        |      |                 |        |           |                 |        |         |                 |        |       |                 |        |                |                 |        |               |                 |        |               |
| D447,238 S   | 8/2001  | Tang                                   |        |        |              |        |              |            |        |      |                |        |  |              |        |        |            |         |        |            |        |       |            |        |      |            |        |        |            |        |      |            |        |       |            |        |                  |            |        |               |            |        |           |            |         |            |              |        |                   |              |        |           |            |        |             |              |        |                     |            |        |       |            |        |                |              |        |        |            |        |     |            |        |      |            |        |                |            |        |      |              |         |              |              |        |         |                |        |                          |                 |        |               |                 |        |      |                 |        |           |                 |        |         |                 |        |       |                 |        |                |                 |        |               |                 |        |               |
| 6,273,719 B1 *   | 8/2001  | Whitman ..... A46B 15/0055<br>15/167.1 |        |        |              |        |              |            |        |      |                |        |  |              |        |        |            |         |        |            |        |       |            |        |      |            |        |        |            |        |      |            |        |       |            |        |                  |            |        |               |            |        |           |            |         |            |              |        |                   |              |        |           |            |        |             |              |        |                     |            |        |       |            |        |                |              |        |        |            |        |     |            |        |      |            |        |                |            |        |      |              |         |              |              |        |         |                |        |                          |                 |        |               |                 |        |      |                 |        |           |                 |        |         |                 |        |       |                 |        |                |                 |        |               |                 |        |               |
| 6,352,545 B1   | 3/2002  | Wagner                                 |        |        |              |        |              |            |        |      |                |        |  |              |        |        |            |         |        |            |        |       |            |        |      |            |        |        |            |        |      |            |        |       |            |        |                  |            |        |               |            |        |           |            |         |            |              |        |                   |              |        |           |            |        |             |              |        |                     |            |        |       |            |        |                |              |        |        |            |        |     |            |        |      |            |        |                |            |        |      |              |         |              |              |        |         |                |        |                          |                 |        |               |                 |        |      |                 |        |           |                 |        |         |                 |        |       |                 |        |                |                 |        |               |                 |        |               |
| D465,847 S   | 11/2002   | Jacobs                                 |        |        |              |        |              |            |        |      |                |        |  |              |        |        |            |         |        |            |        |       |            |        |      |            |        |        |            |        |      |            |        |       |            |        |                  |            |        |               |            |        |           |            |         |            |              |        |                   |              |        |           |            |        |             |              |        |                     |            |        |       |            |        |                |              |        |        |            |        |     |            |        |      |            |        |                |            |        |      |              |         |              |              |        |         |                |        |                          |                 |        |               |                 |        |      |                 |        |           |                 |        |         |                 |        |       |                 |        |                |                 |        |               |                 |        |               |
| D471,276 S   | 3/2003  | Potti                                  |        |        |              |        |              |            |        |      |                |        |  |              |        |        |            |         |        |            |        |       |            |        |      |            |        |        |            |        |      |            |        |       |            |        |                  |            |        |               |            |        |           |            |         |            |              |        |                   |              |        |           |            |        |             |              |        |                     |            |        |       |            |        |                |              |        |        |            |        |     |            |        |      |            |        |                |            |        |      |              |         |              |              |        |         |                |        |                          |                 |        |               |                 |        |      |                 |        |           |                 |        |         |                 |        |       |                 |        |                |                 |        |               |                 |        |               |
| D484,978 S   | 1/2004  | Syal                                   |        |        |              |        |              |            |        |      |                |        |  |              |        |        |            |         |        |            |        |       |            |        |      |            |        |        |            |        |      |            |        |       |            |        |                  |            |        |               |            |        |           |            |         |            |              |        |                   |              |        |           |            |        |             |              |        |                     |            |        |       |            |        |                |              |        |        |            |        |     |            |        |      |            |        |                |            |        |      |              |         |              |              |        |         |                |        |                          |                 |        |               |                 |        |      |                 |        |           |                 |        |         |                 |        |       |                 |        |                |                 |        |               |                 |        |               |
| D515,817 S   | 2/2006  | Siemer                                 |        |        |              |        |              |            |        |      |                |        |  |              |        |        |            |         |        |            |        |       |            |        |      |            |        |        |            |        |      |            |        |       |            |        |                  |            |        |               |            |        |           |            |         |            |              |        |                   |              |        |           |            |        |             |              |        |                     |            |        |       |            |        |                |              |        |        |            |        |     |            |        |      |            |        |                |            |        |      |              |         |              |              |        |         |                |        |                          |                 |        |               |                 |        |      |                 |        |           |                 |        |         |                 |        |       |                 |        |                |                 |        |               |                 |        |               |
| D527,821 S   | 9/2006  | Cwik                                   |        |        |              |        |              |            |        |      |                |        |  |              |        |        |            |         |        |            |        |       |            |        |      |            |        |        |            |        |      |            |        |       |            |        |                  |            |        |               |            |        |           |            |         |            |              |        |                   |              |        |           |            |        |             |              |        |                     |            |        |       |            |        |                |              |        |        |            |        |     |            |        |      |            |        |                |            |        |      |              |         |              |              |        |         |                |        |                          |                 |        |               |                 |        |      |                 |        |           |                 |        |         |                 |        |       |                 |        |                |                 |        |               |                 |        |               |
| D528,207 S   | 9/2006  | Kling                                  |        |        |              |        |              |            |        |      |                |        |  |              |        |        |            |         |        |            |        |       |            |        |      |            |        |        |            |        |      |            |        |       |            |        |                  |            |        |               |            |        |           |            |         |            |              |        |                   |              |        |           |            |        |             |              |        |                     |            |        |       |            |        |                |              |        |        |            |        |     |            |        |      |            |        |                |            |        |      |              |         |              |              |        |         |                |        |                          |                 |        |               |                 |        |      |                 |        |           |                 |        |         |                 |        |       |                 |        |                |                 |        |               |                 |        |               |
| D536,452 S   | 2/2007  | Geiberger et al.                       |        |        |              |        |              |            |        |      |                |        |  |              |        |        |            |         |        |            |        |       |            |        |      |            |        |        |            |        |      |            |        |       |            |        |                  |            |        |               |            |        |           |            |         |            |              |        |                   |              |        |           |            |        |             |              |        |                     |            |        |       |            |        |                |              |        |        |            |        |     |            |        |      |            |        |                |            |        |      |              |         |              |              |        |         |                |        |                          |                 |        |               |                 |        |      |                 |        |           |                 |        |         |                 |        |       |                 |        |                |                 |        |               |                 |        |               |
| D567,945 S   | 4/2008  | Foster et al.                          |        |        |              |        |              |            |        |      |                |        |  |              |        |        |            |         |        |            |        |       |            |        |      |            |        |        |            |        |      |            |        |       |            |        |                  |            |        |               |            |        |           |            |         |            |              |        |                   |              |        |           |            |        |             |              |        |                     |            |        |       |            |        |                |              |        |        |            |        |     |            |        |      |            |        |                |            |        |      |              |         |              |              |        |         |                |        |                          |                 |        |               |                 |        |      |                 |        |           |                 |        |         |                 |        |       |                 |        |                |                 |        |               |                 |        |               |
| D571,470 S   | 6/2008  | Jansheski                              |        |        |              |        |              |            |        |      |                |        |  |              |        |        |            |         |        |            |        |       |            |        |      |            |        |        |            |        |      |            |        |       |            |        |                  |            |        |               |            |        |           |            |         |            |              |        |                   |              |        |           |            |        |             |              |        |                     |            |        |       |            |        |                |              |        |        |            |        |     |            |        |      |            |        |                |            |        |      |              |         |              |              |        |         |                |        |                          |                 |        |               |                 |        |      |                 |        |           |                 |        |         |                 |        |       |                 |        |                |                 |        |               |                 |        |               |
| D583,943 S   | 12/2008   | Zaksenberg                             |        |        |              |        |              |            |        |      |                |        |  |              |        |        |            |         |        |            |        |       |            |        |      |            |        |        |            |        |      |            |        |       |            |        |                  |            |        |               |            |        |           |            |         |            |              |        |                   |              |        |           |            |        |             |              |        |                     |            |        |       |            |        |                |              |        |        |            |        |     |            |        |      |            |        |                |            |        |      |              |         |              |              |        |         |                |        |                          |                 |        |               |                 |        |      |                 |        |           |                 |        |         |                 |        |       |                 |        |                |                 |        |               |                 |        |               |
| 7,478,452 B2   | 1/2009  | Rosenblood et al.                      |        |        |              |        |              |            |        |      |                |        |  |              |        |        |            |         |        |            |        |       |            |        |      |            |        |        |            |        |      |            |        |       |            |        |                  |            |        |               |            |        |           |            |         |            |              |        |                   |              |        |           |            |        |             |              |        |                     |            |        |       |            |        |                |              |        |        |            |        |     |            |        |      |            |        |                |            |        |      |              |         |              |              |        |         |                |        |                          |                 |        |               |                 |        |      |                 |        |           |                 |        |         |                 |        |       |                 |        |                |                 |        |               |                 |        |               |
| 7,540,054 B2   | 6/2009  | Goldstein                              |        |        |              |        |              |            |        |      |                |        |  |              |        |        |            |         |        |            |        |       |            |        |      |            |        |        |            |        |      |            |        |       |            |        |                  |            |        |               |            |        |           |            |         |            |              |        |                   |              |        |           |            |        |             |              |        |                     |            |        |       |            |        |                |              |        |        |            |        |     |            |        |      |            |        |                |            |        |      |              |         |              |              |        |         |                |        |                          |                 |        |               |                 |        |      |                 |        |           |                 |        |         |                 |        |       |                 |        |                |                 |        |               |                 |        |               |
| D595,963 S   | 7/2009  | Gronikowski                            |        |        |              |        |              |            |        |      |                |        |  |              |        |        |            |         |        |            |        |       |            |        |      |            |        |        |            |        |      |            |        |       |            |        |                  |            |        |               |            |        |           |            |         |            |              |        |                   |              |        |           |            |        |             |              |        |                     |            |        |       |            |        |                |              |        |        |            |        |     |            |        |      |            |        |                |            |        |      |              |         |              |              |        |         |                |        |                          |                 |        |               |                 |        |      |                 |        |           |                 |        |         |                 |        |       |                 |        |                |                 |        |               |                 |        |               |
| D651,808 S *   | 1/2012  | Nguyen ..... D4/108                    |        |        |              |        |              |            |        |      |                |        |  |              |        |        |            |         |        |            |        |       |            |        |      |            |        |        |            |        |      |            |        |       |            |        |                  |            |        |               |            |        |           |            |         |            |              |        |                   |              |        |           |            |        |             |              |        |                     |            |        |       |            |        |                |              |        |        |            |        |     |            |        |      |            |        |                |            |        |      |              |         |              |              |        |         |                |        |                          |                 |        |               |                 |        |      |                 |        |           |                 |        |         |                 |        |       |                 |        |                |                 |        |               |                 |        |               |
| D652,925 S   | 1/2012  | Nanda                                  |        |        |              |        |              |            |        |      |                |        |  |              |        |        |            |         |        |            |        |       |            |        |      |            |        |        |            |        |      |            |        |       |            |        |                  |            |        |               |            |        |           |            |         |            |              |        |                   |              |        |           |            |        |             |              |        |                     |            |        |       |            |        |                |              |        |        |            |        |     |            |        |      |            |        |                |            |        |      |              |         |              |              |        |         |                |        |                          |                 |        |               |                 |        |      |                 |        |           |                 |        |         |                 |        |       |                 |        |                |                 |        |               |                 |        |               |
| D660,004 S   | 5/2012  | Knutzen et al.                         |        |        |              |        |              |            |        |      |                |        |  |              |        |        |            |         |        |            |        |       |            |        |      |            |        |        |            |        |      |            |        |       |            |        |                  |            |        |               |            |        |           |            |         |            |              |        |                   |              |        |           |            |        |             |              |        |                     |            |        |       |            |        |                |              |        |        |            |        |     |            |        |      |            |        |                |            |        |      |              |         |              |              |        |         |                |        |                          |                 |        |               |                 |        |      |                 |        |           |                 |        |         |                 |        |       |                 |        |                |                 |        |               |                 |        |               |
| 8,745,804 B2   | 6/2014  | Jaksha                                 |        |        |              |        |              |            |        |      |                |        |  |              |        |        |            |         |        |            |        |       |            |        |      |            |        |        |            |        |      |            |        |       |            |        |                  |            |        |               |            |        |           |            |         |            |              |        |                   |              |        |           |            |        |             |              |        |                     |            |        |       |            |        |                |              |        |        |            |        |     |            |        |      |            |        |                |            |        |      |              |         |              |              |        |         |                |        |                          |                 |        |               |                 |        |      |                 |        |           |                 |        |         |                 |        |       |                 |        |                |                 |        |               |                 |        |               |
| D721,504 S   | 1/2015  | Kim                                    |        |        |              |        |              |            |        |      |                |        |  |              |        |        |            |         |        |            |        |       |            |        |      |            |        |        |            |        |      |            |        |       |            |        |                  |            |        |               |            |        |           |            |         |            |              |        |                   |              |        |           |            |        |             |              |        |                     |            |        |       |            |        |                |              |        |        |            |        |     |            |        |      |            |        |                |            |        |      |              |         |              |              |        |         |                |        |                          |                 |        |               |                 |        |      |                 |        |           |                 |        |         |                 |        |       |                 |        |                |                 |        |               |                 |        |               |
| D723,285 S   | 3/2015  | Song                                   |        |        |              |        |              |            |        |      |                |        |  |              |        |        |            |         |        |            |        |       |            |        |      |            |        |        |            |        |      |            |        |       |            |        |                  |            |        |               |            |        |           |            |         |            |              |        |                   |              |        |           |            |        |             |              |        |                     |            |        |       |            |        |                |              |        |        |            |        |     |            |        |      |            |        |                |            |        |      |              |         |              |              |        |         |                |        |                          |                 |        |               |                 |        |      |                 |        |           |                 |        |         |                 |        |       |                 |        |                |                 |        |               |                 |        |               |
| D727,626 S   | 4/2015  | Bontemp et al.                         |        |        |              |        |              |            |        |      |                |        |  |              |        |        |            |         |        |            |        |       |            |        |      |            |        |        |            |        |      |            |        |       |            |        |                  |            |        |               |            |        |           |            |         |            |              |        |                   |              |        |           |            |        |             |              |        |                     |            |        |       |            |        |                |              |        |        |            |        |     |            |        |      |            |        |                |            |        |      |              |         |              |              |        |         |                |        |                          |                 |        |               |                 |        |      |                 |        |           |                 |        |         |                 |        |       |                 |        |                |                 |        |               |                 |        |               |
| D736,379 S   | 8/2015  | Wong                                   |        |        |              |        |              |            |        |      |                |        |  |              |        |        |            |         |        |            |        |       |            |        |      |            |        |        |            |        |      |            |        |       |            |        |                  |            |        |               |            |        |           |            |         |            |              |        |                   |              |        |           |            |        |             |              |        |                     |            |        |       |            |        |                |              |        |        |            |        |     |            |        |      |            |        |                |            |        |      |              |         |              |              |        |         |                |        |                          |                 |        |               |                 |        |      |                 |        |           |                 |        |         |                 |        |       |                 |        |                |                 |        |               |                 |        |               |
| 9,161,613 B1   | 10/2015   | Chirichiello                           |        |        |              |        |              |            |        |      |                |        |  |              |        |        |            |         |        |            |        |       |            |        |      |            |        |        |            |        |      |            |        |       |            |        |                  |            |        |               |            |        |           |            |         |            |              |        |                   |              |        |           |            |        |             |              |        |                     |            |        |       |            |        |                |              |        |        |            |        |     |            |        |      |            |        |                |            |        |      |              |         |              |              |        |         |                |        |                          |                 |        |               |                 |        |      |                 |        |           |                 |        |         |                 |        |       |                 |        |                |                 |        |               |                 |        |               |
| 9,277,931 B2   | 3/2016  | Jimenez                                |        |        |              |        |              |            |        |      |                |        |  |              |        |        |            |         |        |            |        |       |            |        |      |            |        |        |            |        |      |            |        |       |            |        |                  |            |        |               |            |        |           |            |         |            |              |        |                   |              |        |           |            |        |             |              |        |                     |            |        |       |            |        |                |              |        |        |            |        |     |            |        |      |            |        |                |            |        |      |              |         |              |              |        |         |                |        |                          |                 |        |               |                 |        |      |                 |        |           |                 |        |         |                 |        |       |                 |        |                |                 |        |               |                 |        |               |
| 9,642,450 B1 *   | 5/2017  | Singh ..... A46B 15/0081               |        |        |              |        |              |            |        |      |                |        |  |              |        |        |            |         |        |            |        |       |            |        |      |            |        |        |            |        |      |            |        |       |            |        |                  |            |        |               |            |        |           |            |         |            |              |        |                   |              |        |           |            |        |             |              |        |                     |            |        |       |            |        |                |              |        |        |            |        |     |            |        |      |            |        |                |            |        |      |              |         |              |              |        |         |                |        |                          |                 |        |               |                 |        |      |                 |        |           |                 |        |         |                 |        |       |                 |        |                |                 |        |               |                 |        |               |
| 2004/0092981 A1  | 5/2004  | Barlow et al.                          |        |        |              |        |              |            |        |      |                |        |  |              |        |        |            |         |        |            |        |       |            |        |      |            |        |        |            |        |      |            |        |       |            |        |                  |            |        |               |            |        |           |            |         |            |              |        |                   |              |        |           |            |        |             |              |        |                     |            |        |       |            |        |                |              |        |        |            |        |     |            |        |      |            |        |                |            |        |      |              |         |              |              |        |         |                |        |                          |                 |        |               |                 |        |      |                 |        |           |                 |        |         |                 |        |       |                 |        |                |                 |        |               |                 |        |               |
| 2006/0052805 A1  | 3/2006  | Cwik                                   |        |        |              |        |              |            |        |      |                |        |  |              |        |        |            |         |        |            |        |       |            |        |      |            |        |        |            |        |      |            |        |       |            |        |                  |            |        |               |            |        |           |            |         |            |              |        |                   |              |        |           |            |        |             |              |        |                     |            |        |       |            |        |                |              |        |        |            |        |     |            |        |      |            |        |                |            |        |      |              |         |              |              |        |         |                |        |                          |                 |        |               |                 |        |      |                 |        |           |                 |        |         |                 |        |       |                 |        |                |                 |        |               |                 |        |               |
| 2006/0058821 A1  | 3/2006  | Jansheski                              |        |        |              |        |              |            |        |      |                |        |  |              |        |        |            |         |        |            |        |       |            |        |      |            |        |        |            |        |      |            |        |       |            |        |                  |            |        |               |            |        |           |            |         |            |              |        |                   |              |        |           |            |        |             |              |        |                     |            |        |       |            |        |                |              |        |        |            |        |     |            |        |      |            |        |                |            |        |      |              |         |              |              |        |         |                |        |                          |                 |        |               |                 |        |      |                 |        |           |                 |        |         |                 |        |       |                 |        |                |                 |        |               |                 |        |               |
| 2008/0208228 A1  | 8/2008  | Mueller                                |        |        |              |        |              |            |        |      |                |        |  |              |        |        |            |         |        |            |        |       |            |        |      |            |        |        |            |        |      |            |        |       |            |        |                  |            |        |               |            |        |           |            |         |            |              |        |                   |              |        |           |            |        |             |              |        |                     |            |        |       |            |        |                |              |        |        |            |        |     |            |        |      |            |        |                |            |        |      |              |         |              |              |        |         |                |        |                          |                 |        |               |                 |        |      |                 |        |           |                 |        |         |                 |        |       |                 |        |                |                 |        |               |                 |        |               |
| 2008/0221534 A1  | 9/2008  | Patel                                  |        |        |              |        |              |            |        |      |                |        |  |              |        |        |            |         |        |            |        |       |            |        |      |            |        |        |            |        |      |            |        |       |            |        |                  |            |        |               |            |        |           |            |         |            |              |        |                   |              |        |           |            |        |             |              |        |                     |            |        |       |            |        |                |              |        |        |            |        |     |            |        |      |            |        |                |            |        |      |              |         |              |              |        |         |                |        |                          |                 |        |               |                 |        |      |                 |        |           |                 |        |         |                 |        |       |                 |        |                |                 |        |               |                 |        |               |
| 2009/0130637 A1  | 5/2009  | Pantangco, III                         |        |        |              |        |              |            |        |      |                |        |  |              |        |        |            |         |        |            |        |       |            |        |      |            |        |        |            |        |      |            |        |       |            |        |                  |            |        |               |            |        |           |            |         |            |              |        |                   |              |        |           |            |        |             |              |        |                     |            |        |       |            |        |                |              |        |        |            |        |     |            |        |      |            |        |                |            |        |      |              |         |              |              |        |         |                |        |                          |                 |        |               |                 |        |      |                 |        |           |                 |        |         |                 |        |       |                 |        |                |                 |        |               |                 |        |               |
| 2013/0000658 A1  | 1/2013  | Nguyen et al.                          |        |        |              |        |              |            |        |      |                |        |  |              |        |        |            |         |        |            |        |       |            |        |      |            |        |        |            |        |      |            |        |       |            |        |                  |            |        |               |            |        |           |            |         |            |              |        |                   |              |        |           |            |        |             |              |        |                     |            |        |       |            |        |                |              |        |        |            |        |     |            |        |      |            |        |                |            |        |      |              |         |              |              |        |         |                |        |                          |                 |        |               |                 |        |      |                 |        |           |                 |        |         |                 |        |       |                 |        |                |                 |        |               |                 |        |               |
| 2017/0007284 A1  | 1/2017  | Georgi et al.                          |        |        |              |        |              |            |        |      |                |        |  |              |        |        |            |         |        |            |        |       |            |        |      |            |        |        |            |        |      |            |        |       |            |        |                  |            |        |               |            |        |           |            |         |            |              |        |                   |              |        |           |            |        |             |              |        |                     |            |        |       |            |        |                |              |        |        |            |        |     |            |        |      |            |        |                |            |        |      |              |         |              |              |        |         |                |        |                          |                 |        |               |                 |        |      |                 |        |           |                 |        |         |                 |        |       |                 |        |                |                 |        |               |                 |        |               |

(56) **References Cited**  
 U.S. PATENT DOCUMENTS

1,728,956 A *	9/1929	Darmitzel ..... A46B 15/0055 132/309
D118,318 S *	12/1939	Fortunati ..... 15/143.1
D122,815 S *	10/1940	Crosby ..... 15/111
2,218,072 A	10/1940	Runnels
2,543,999 A	3/1951	Voss
2,574,654 A *	11/1951	Moore ..... A61B 17/244 15/111
2,583,750 A	1/1952	Runnels
D246,878 S	1/1978	Kitzis
4,455,704 A	6/1984	Williams
4,488,327 A	12/1984	Snider
D295,343 S	4/1988	Regalado
D295,695 S	5/1988	Golzari
D301,372 S	5/1989	Tsen
5,217,475 A	6/1993	Kuber
5,438,726 A *	8/1995	Leite ..... A46B 7/04 132/309
D377,417 S	1/1997	Gupta
D384,153 S	9/1997	Potti et al.
D385,962 S	11/1997	Conrey
D392,386 S	3/1998	Nguyen
5,735,864 A	4/1998	Heisinger, Jr.
5,778,475 A	7/1998	Garcia
5,779,475 A	7/1998	Patel
D397,219 S	8/1998	Rangel et al.
5,842,247 A	12/1998	Decesare
5,845,358 A	12/1998	Woloch
D404,487 S	1/1999	Bertella
D408,534 S	4/1999	Jansheski
5,915,433 A	6/1999	Hybler
5,916,228 A	6/1999	Ripich et al.
5,957,942 A	9/1999	Yudelman
5,980,541 A	11/1999	Tenzer

FOREIGN PATENT DOCUMENTS

CN	201253247 Y	6/2009
CN	201337492 Y *	11/2009
CN	202445424 U	9/2012
CN	202698208 U	1/2013
CN	203841758 U	9/2014
CN	104544950 A	4/2015

\* cited by examiner

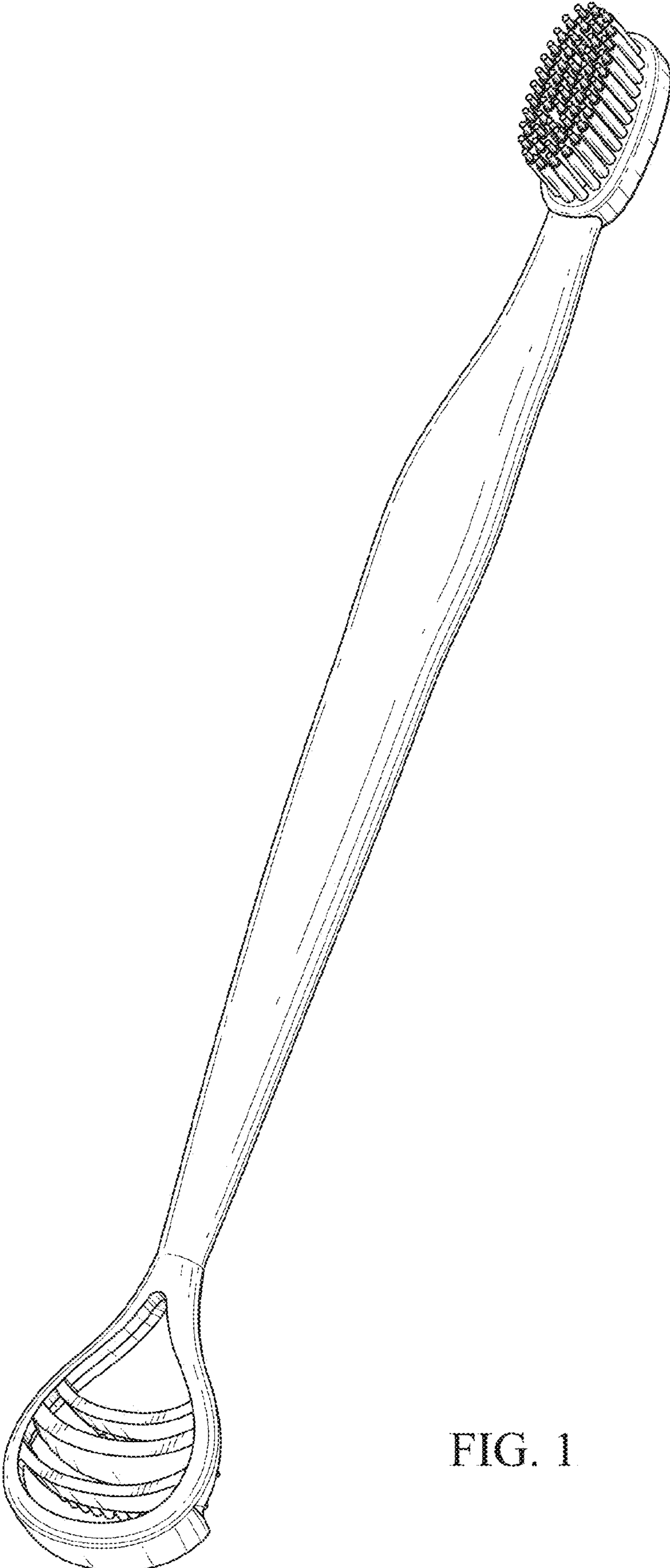


FIG. 1



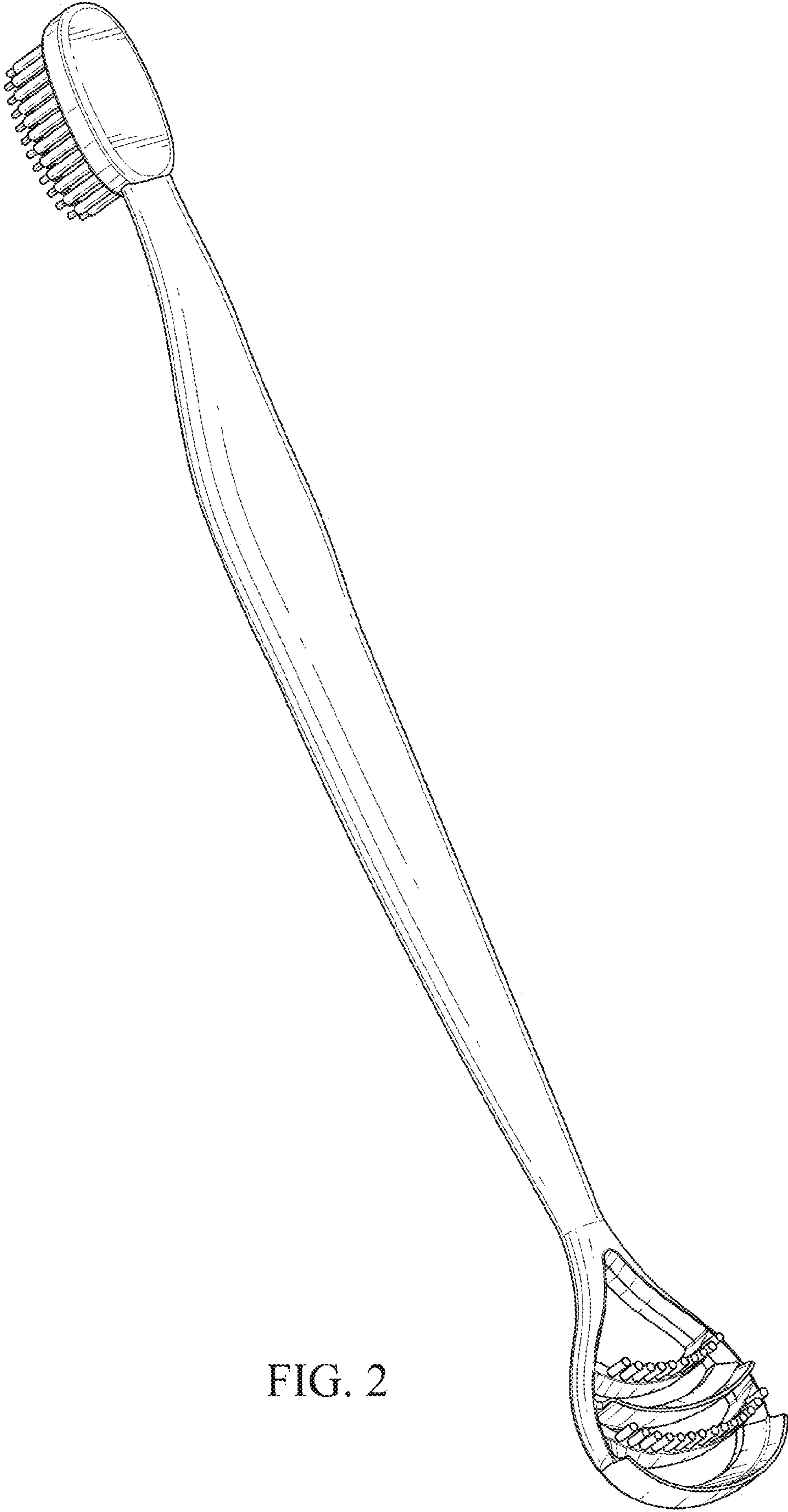


FIG. 2

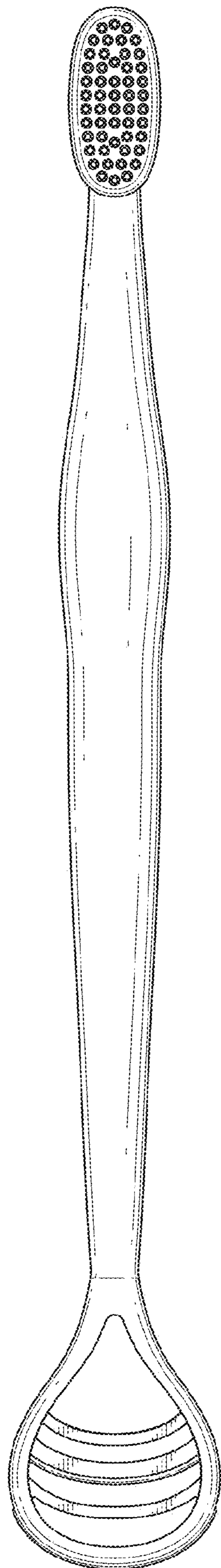


FIG. 3

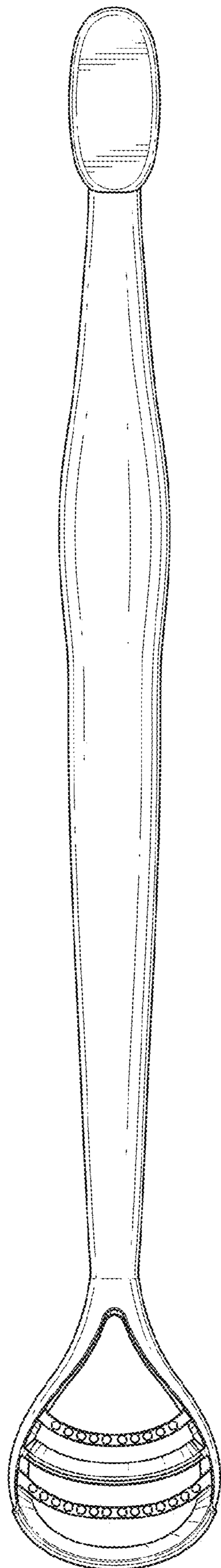


FIG. 4

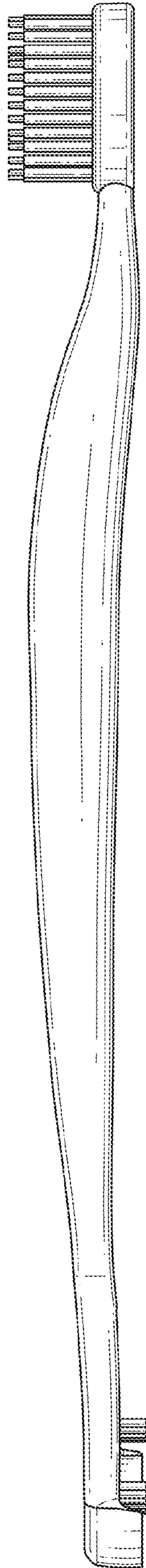


FIG. 5

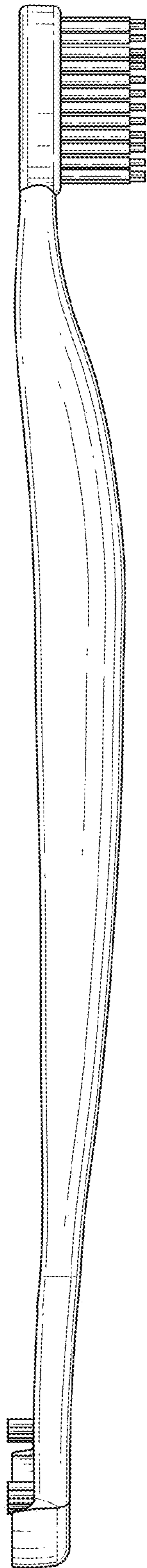


FIG. 6



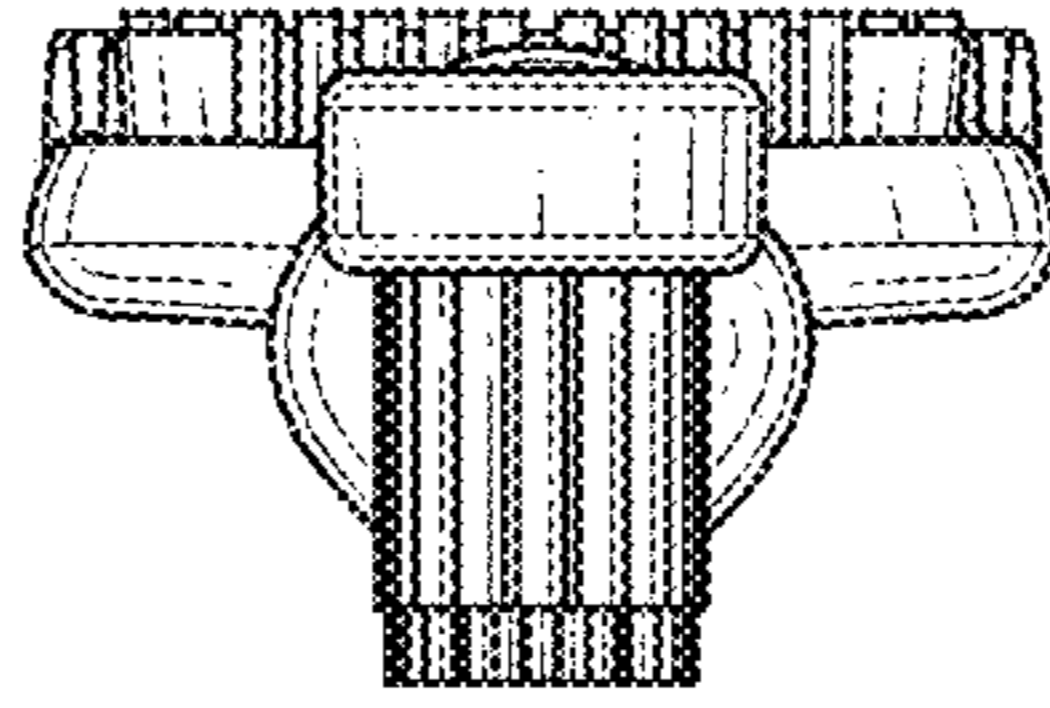


FIG. 7

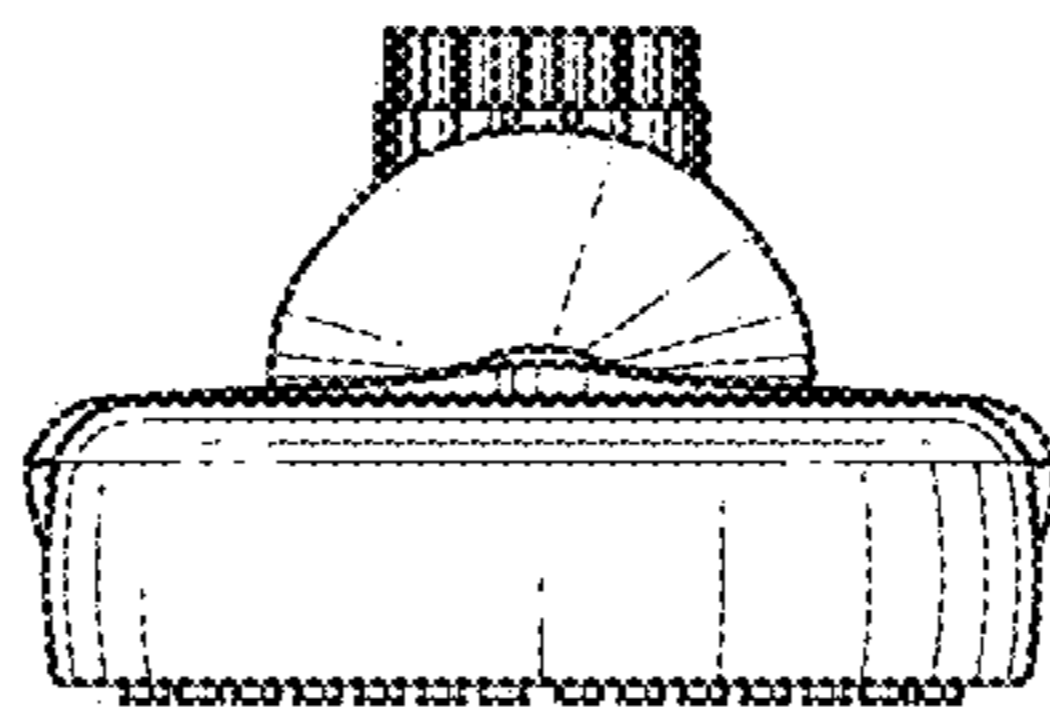


FIG. 8

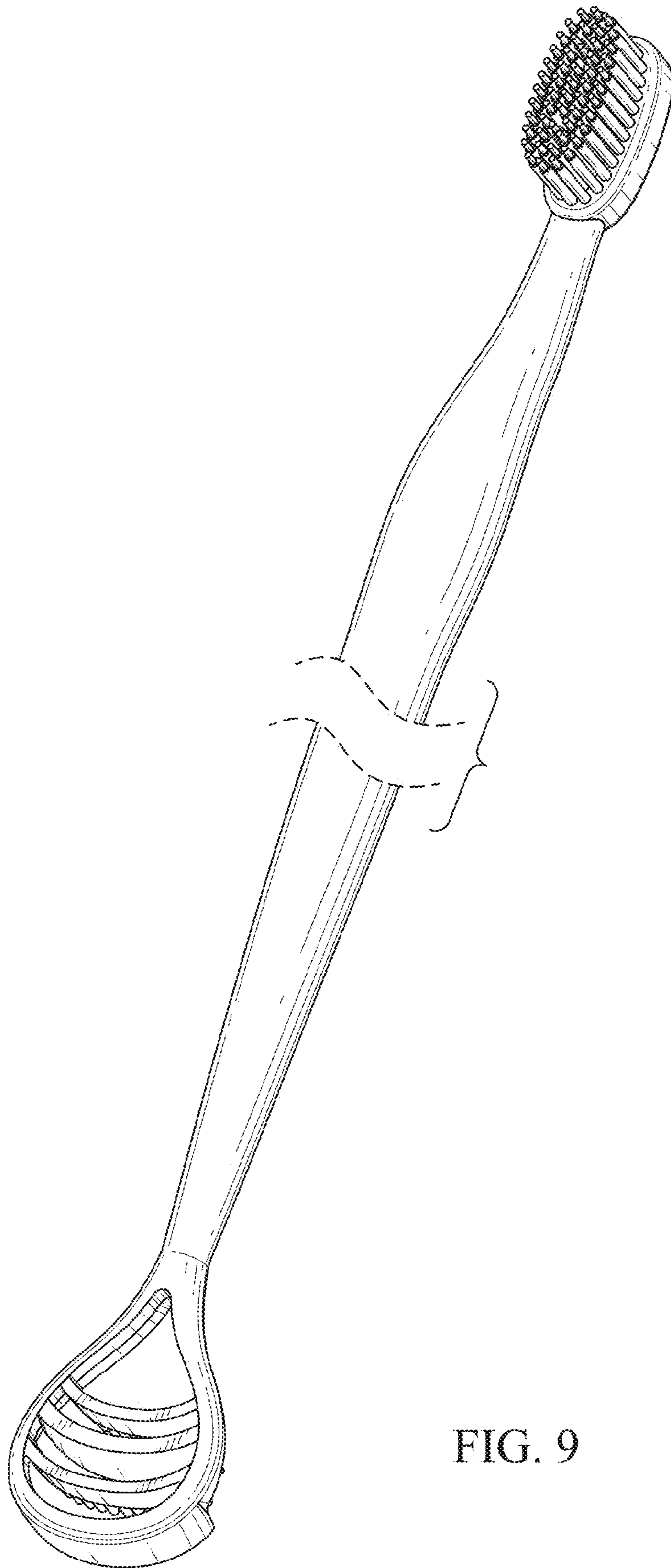


FIG. 9

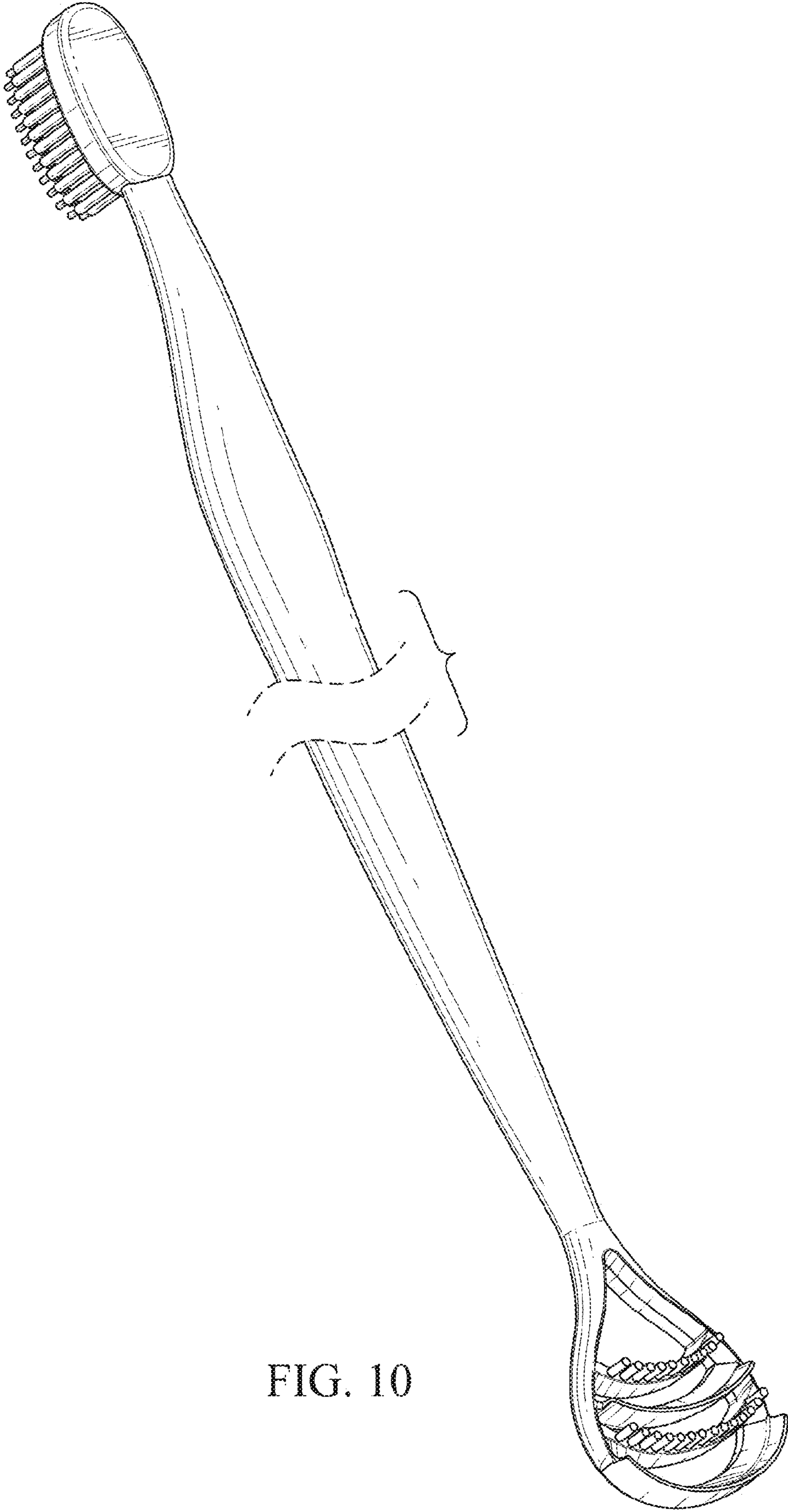


FIG. 10

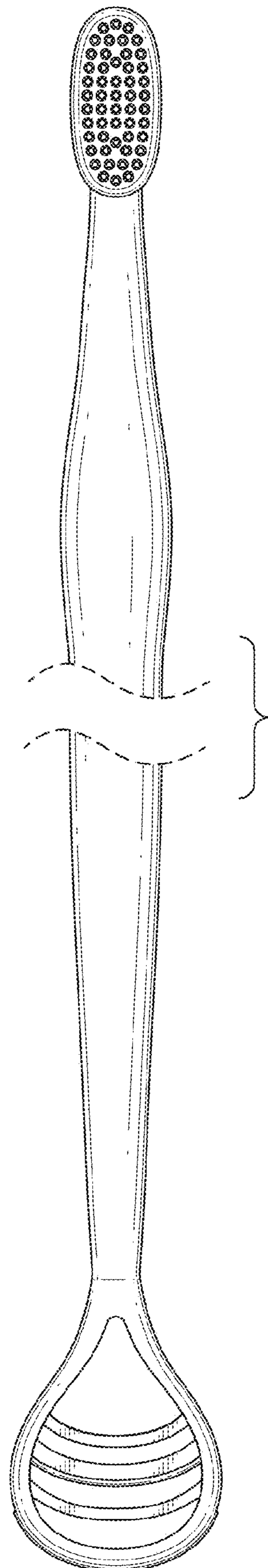


FIG. 11

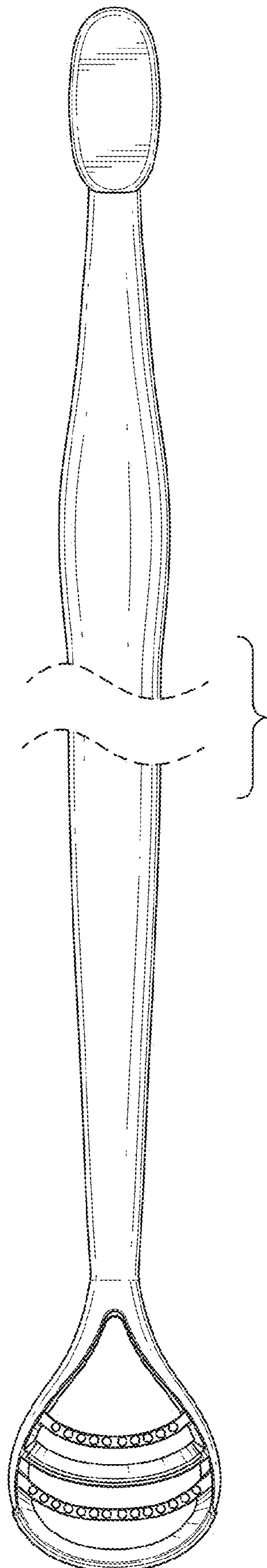


FIG. 12



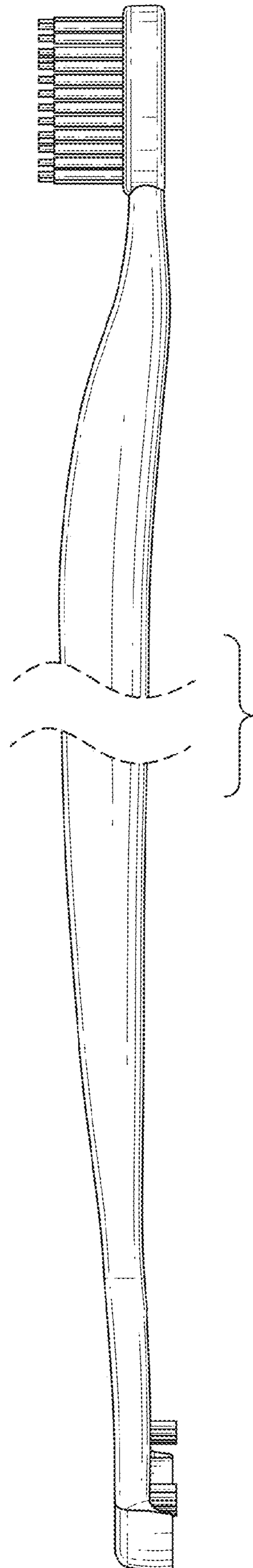


FIG. 13

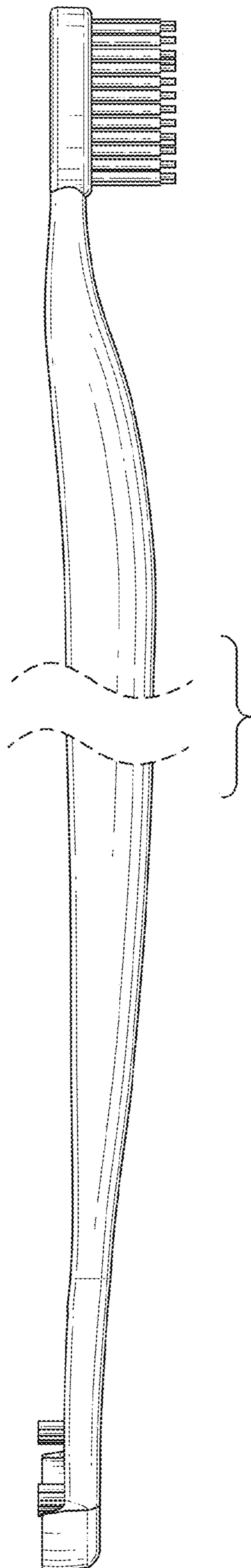


FIG. 14

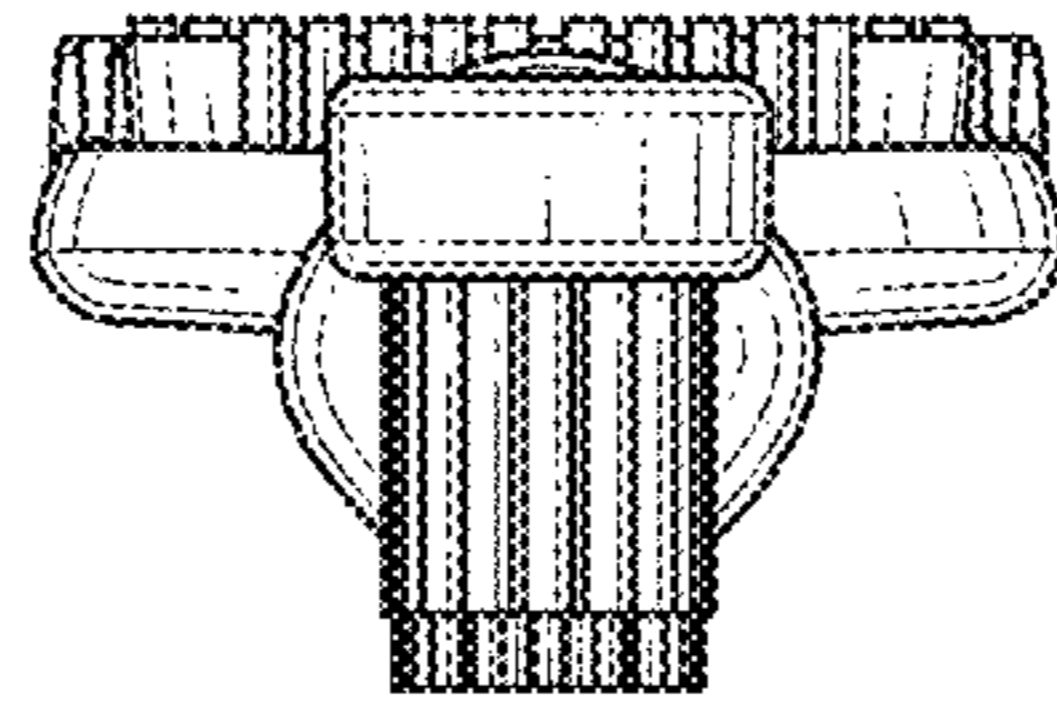


FIG. 15

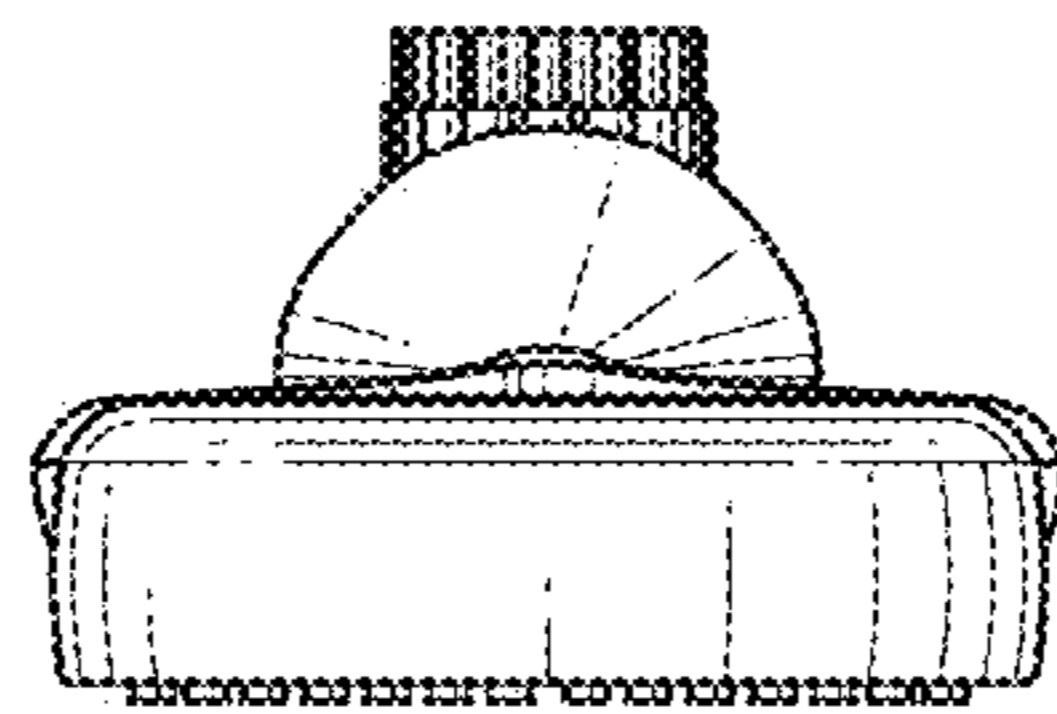


FIG. 16

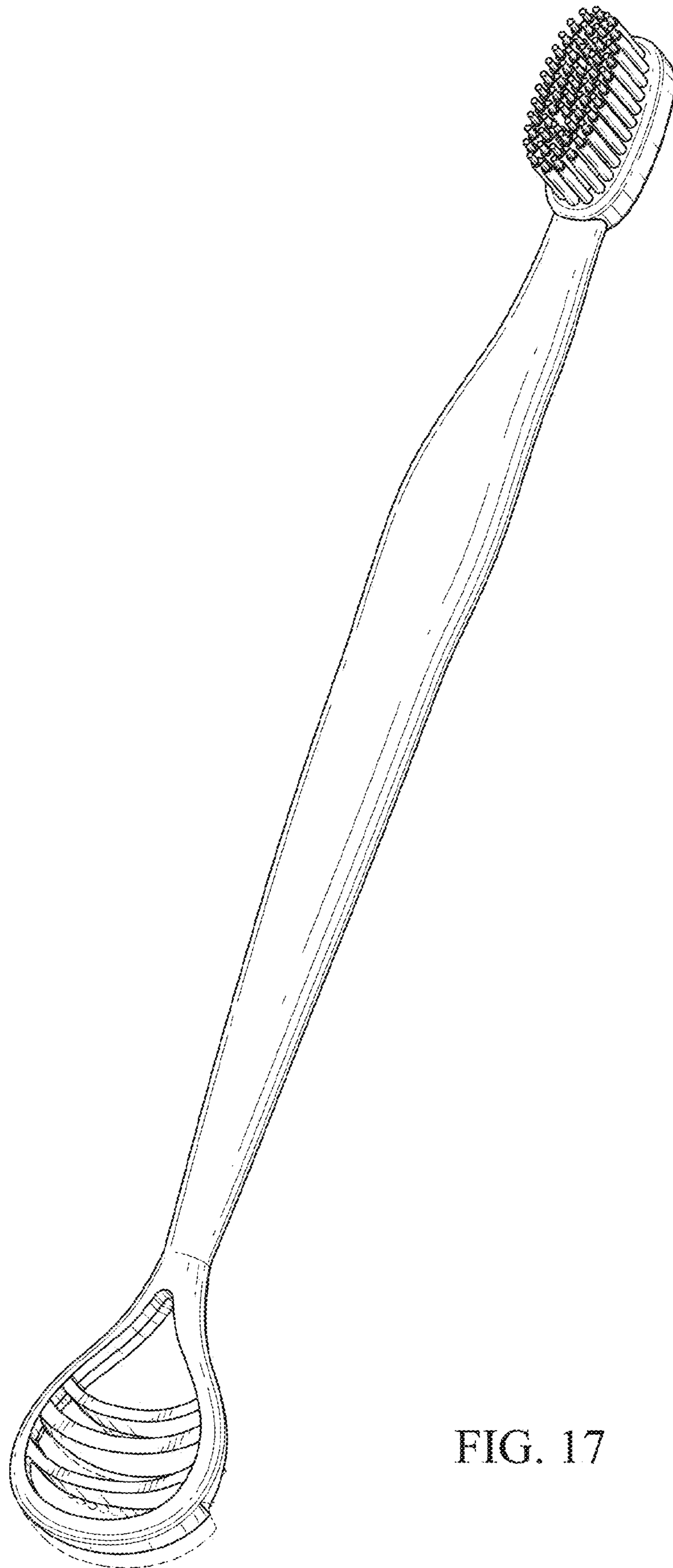


FIG. 17

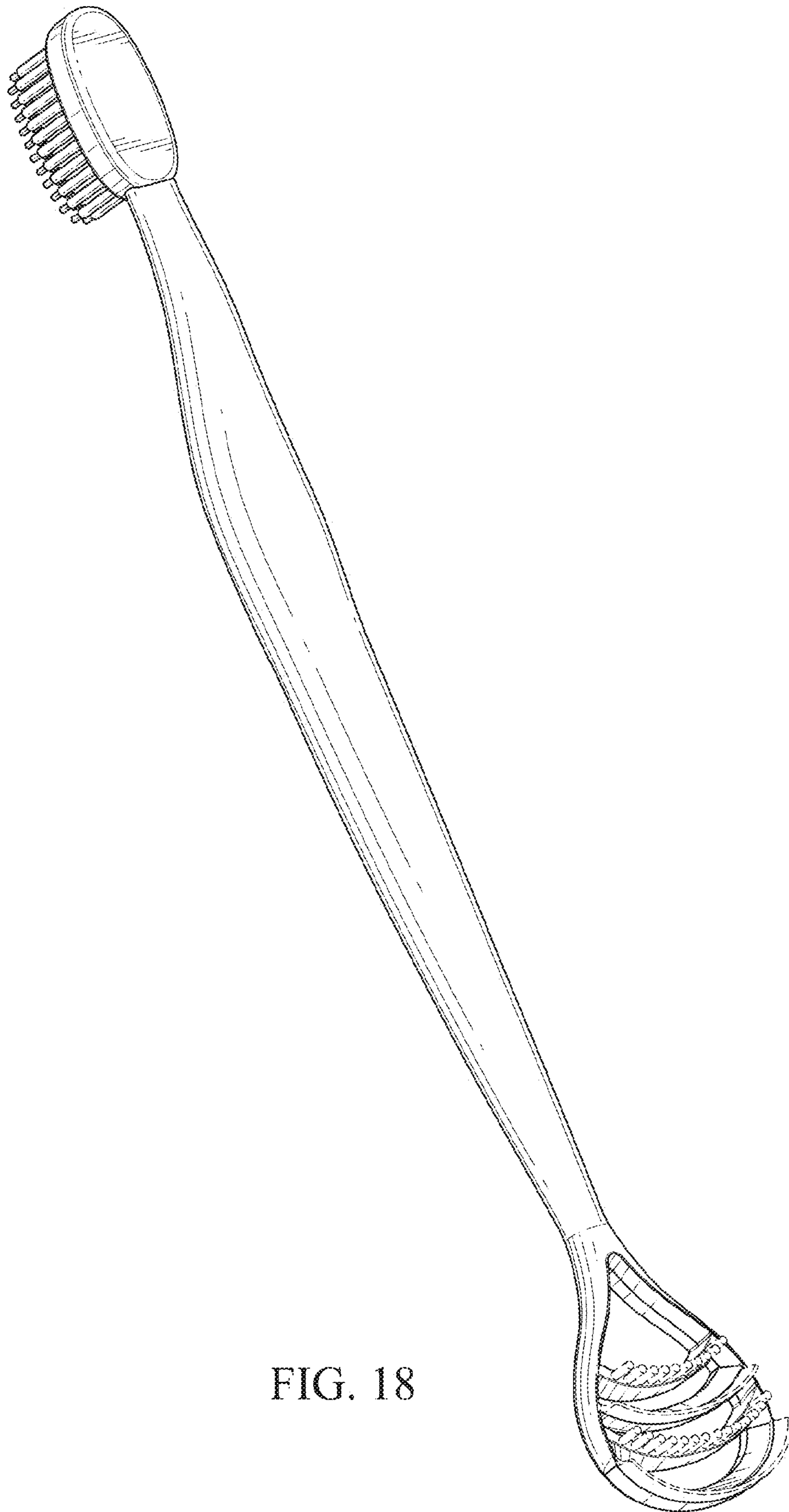


FIG. 18



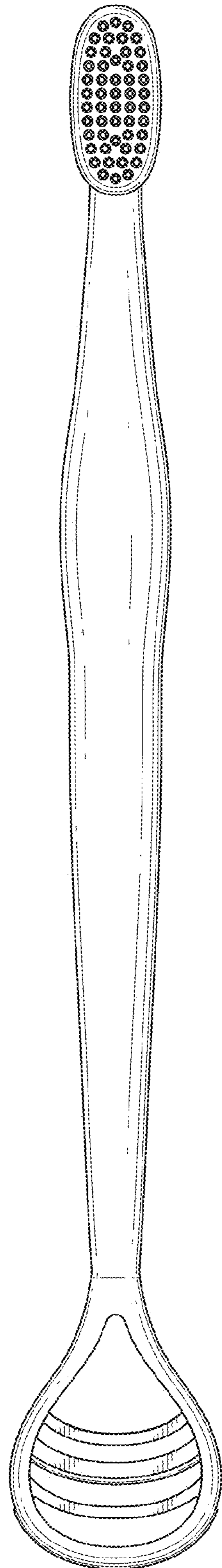


FIG. 19

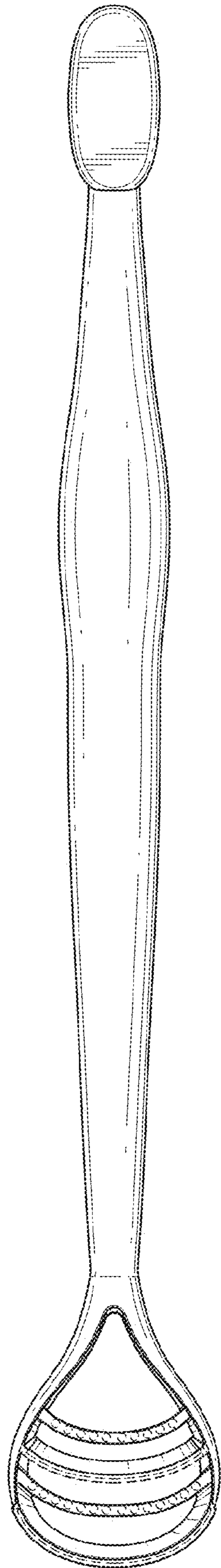


FIG. 20

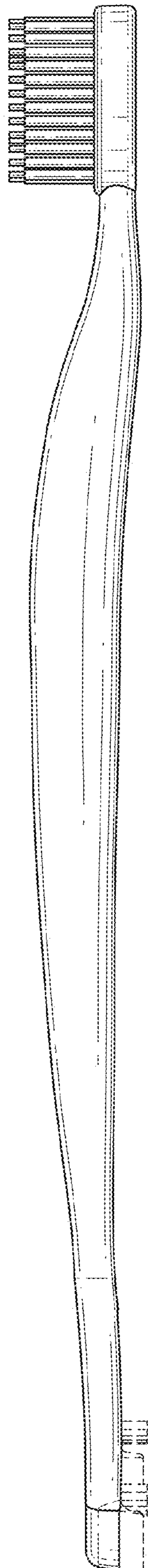


FIG. 21

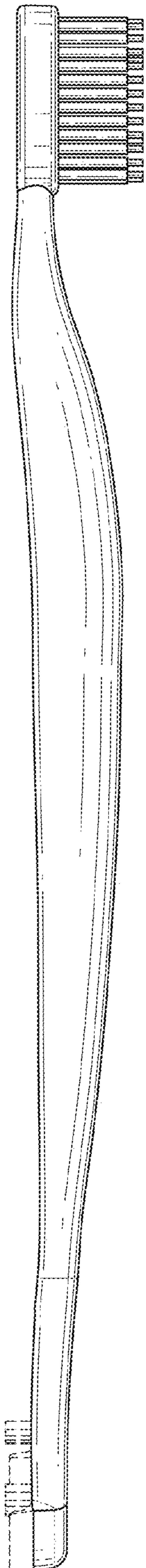


FIG. 22

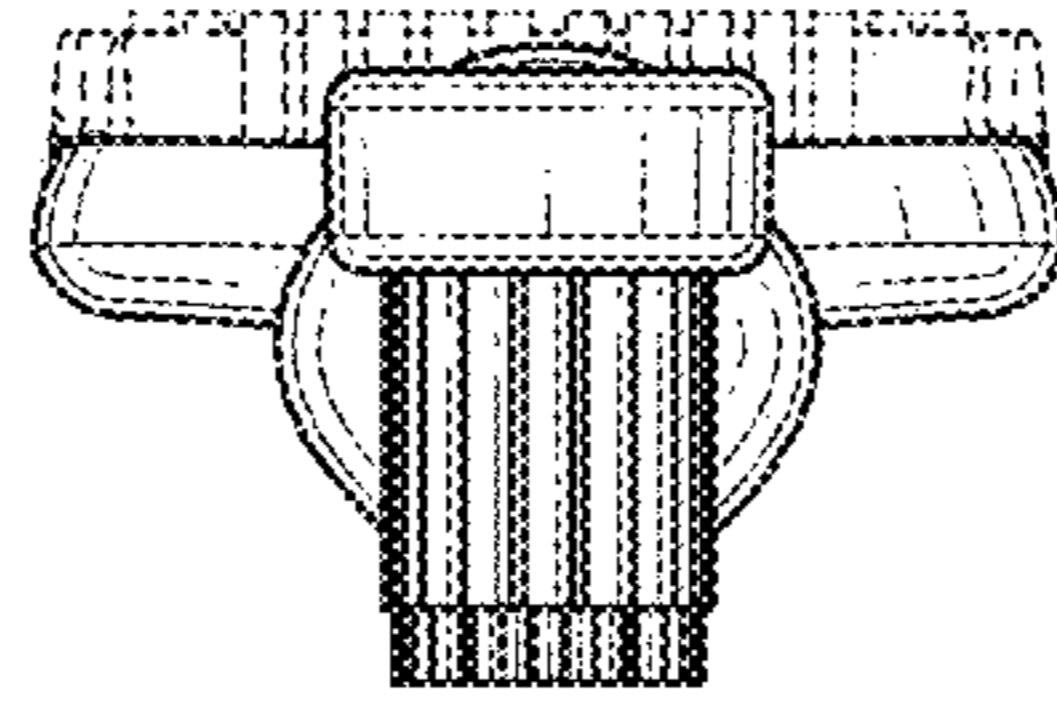


FIG. 23

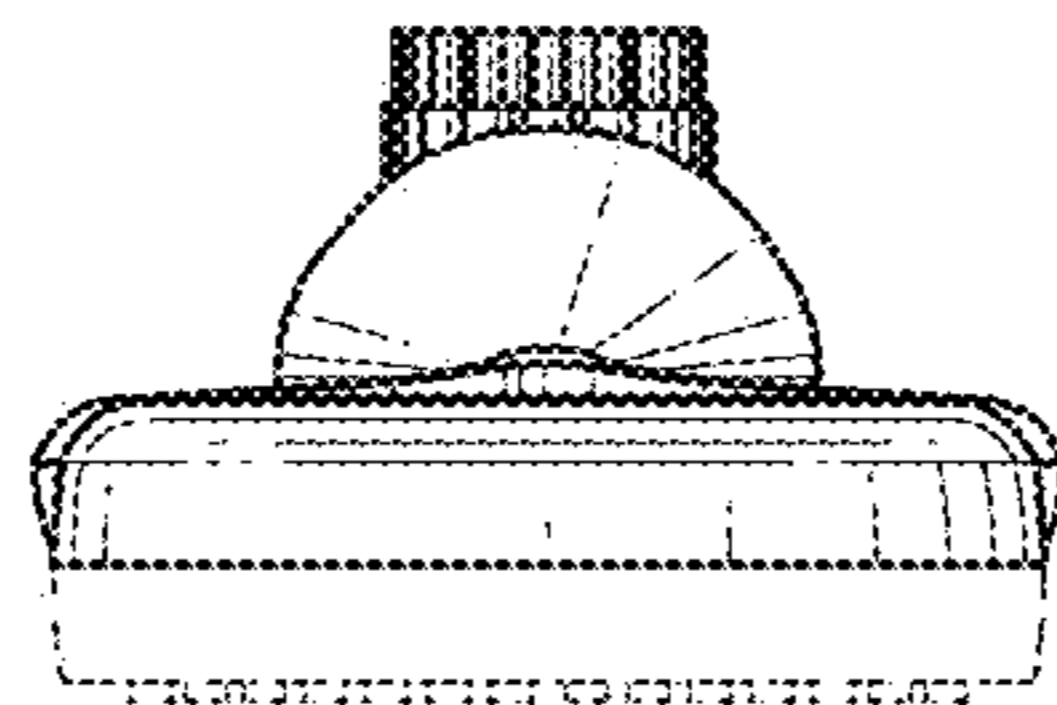


FIG. 24