



US00D874150S

(12) **United States Design Patent** (10) **Patent No.:** **US D874,150 S**
Liu (45) **Date of Patent:** **** Feb. 4, 2020**

(54) **FIREPROOF DOCUMENT BAG**
(71) Applicant: **Shenzhen Yihuaxing Technology Co., Ltd., Shenzhen (CN)**
(72) Inventor: **Yuming Liu, Lianyuan (CN)**
(**) Term: **15 Years**
(21) Appl. No.: **29/709,747**
(22) Filed: **Oct. 17, 2019**
(51) **LOC (12) Cl.** **03-01**
(52) **U.S. Cl.**
USPC **D3/303; D3/301; D9/702**
(58) **Field of Classification Search**
USPC D3/201, 205, 242, 273, 274, 275, 276,
D3/279, 281, 282, 283, 284, 289, 292,
D3/294, 295, 296, 297, 299, 301, 302,
D3/901, 903, 905; D9/702
CPC A45C 5/04; A45C 11/00; A45C 11/16
See application file for complete search history.

D711,651 S * 8/2014 Koenig D3/303
D727,027 S * 4/2015 Winters D3/301
D761,564 S * 7/2016 Rhodes
D804,178 S * 12/2017 Groning D3/299
D819,332 S * 6/2018 Simpson D3/301
D820,596 S * 6/2018 Greenwald D3/299
D824,672 S * 8/2018 Jusic D3/299
D828,032 S * 9/2018 Brundage D3/303
D831,498 S * 10/2018 Zhang D9/702
D844,987 S * 4/2019 Nickels D3/301

* cited by examiner

Primary Examiner — Holly E Thurman
(74) *Attorney, Agent, or Firm* — HYIP

(57) **CLAIM**

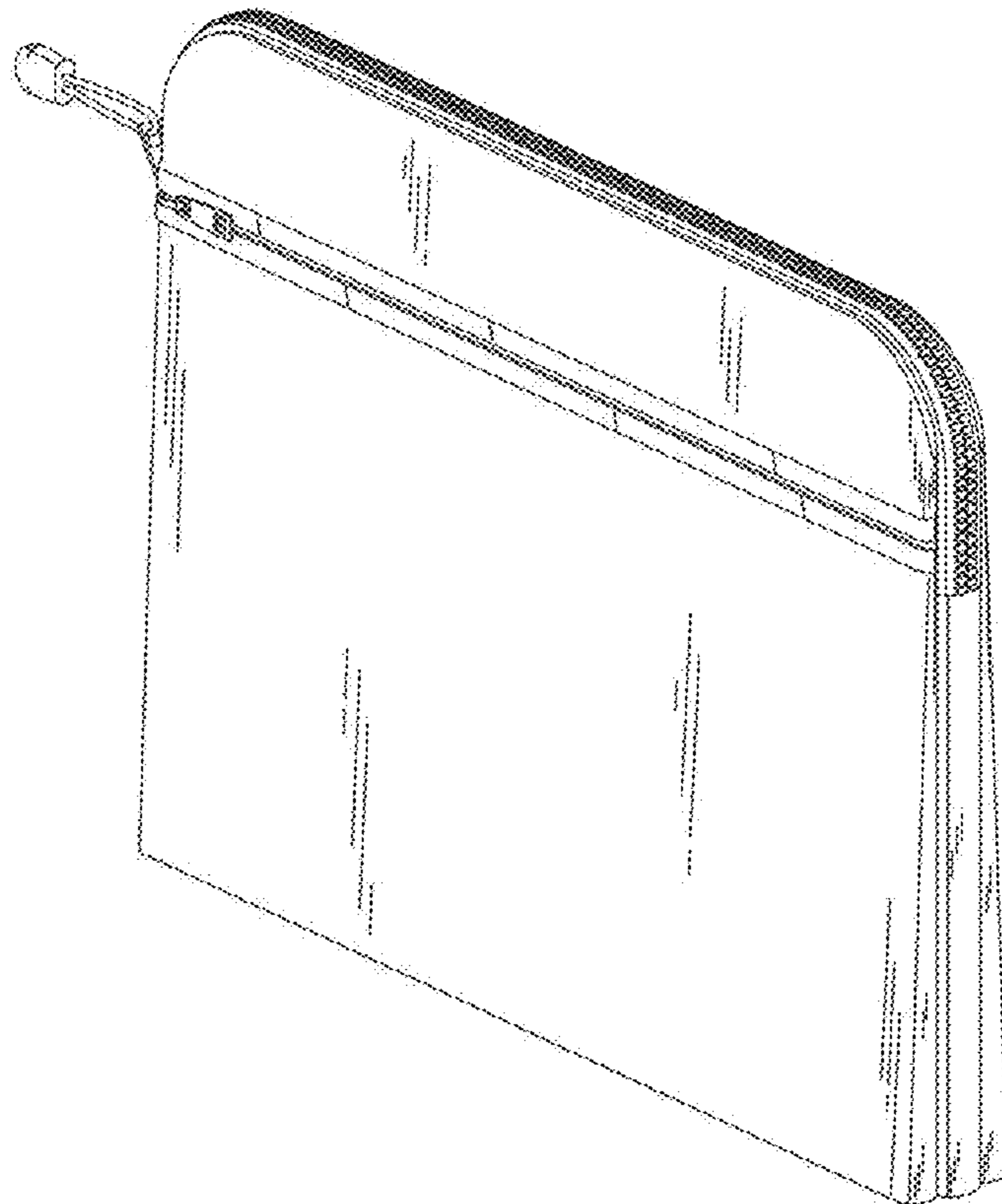
The ornamental design for a fireproof document bag, as shown and described.

DESCRIPTION

FIG. 1 is a perspective view of a fireproof document bag showing my new design;
FIG. 2 is a front view thereof;
FIG. 3 is a back view thereof;
FIG. 4 is a left side view thereof;
FIG. 5 is a right side view thereof;
FIG. 6 is a top view thereof; and,
FIG. 7 is a bottom view thereof.
The broken lines shown in the drawings depict portions of the fireproof document bag in which the new design is embodied that form no part of the claimed design.

1 Claim, 7 Drawing Sheets

(56) **References Cited**
U.S. PATENT DOCUMENTS
D490,238 S * 5/2004 Bristel D3/226
D535,100 S * 1/2007 Suppancig
D611,253 S * 3/2010 Lown D3/301
D619,808 S * 7/2010 Huang
D629,204 S * 12/2010 Spira 150/112
D656,310 S * 3/2012 Ciptak D3/226
D687,628 S * 8/2013 Burns D3/226



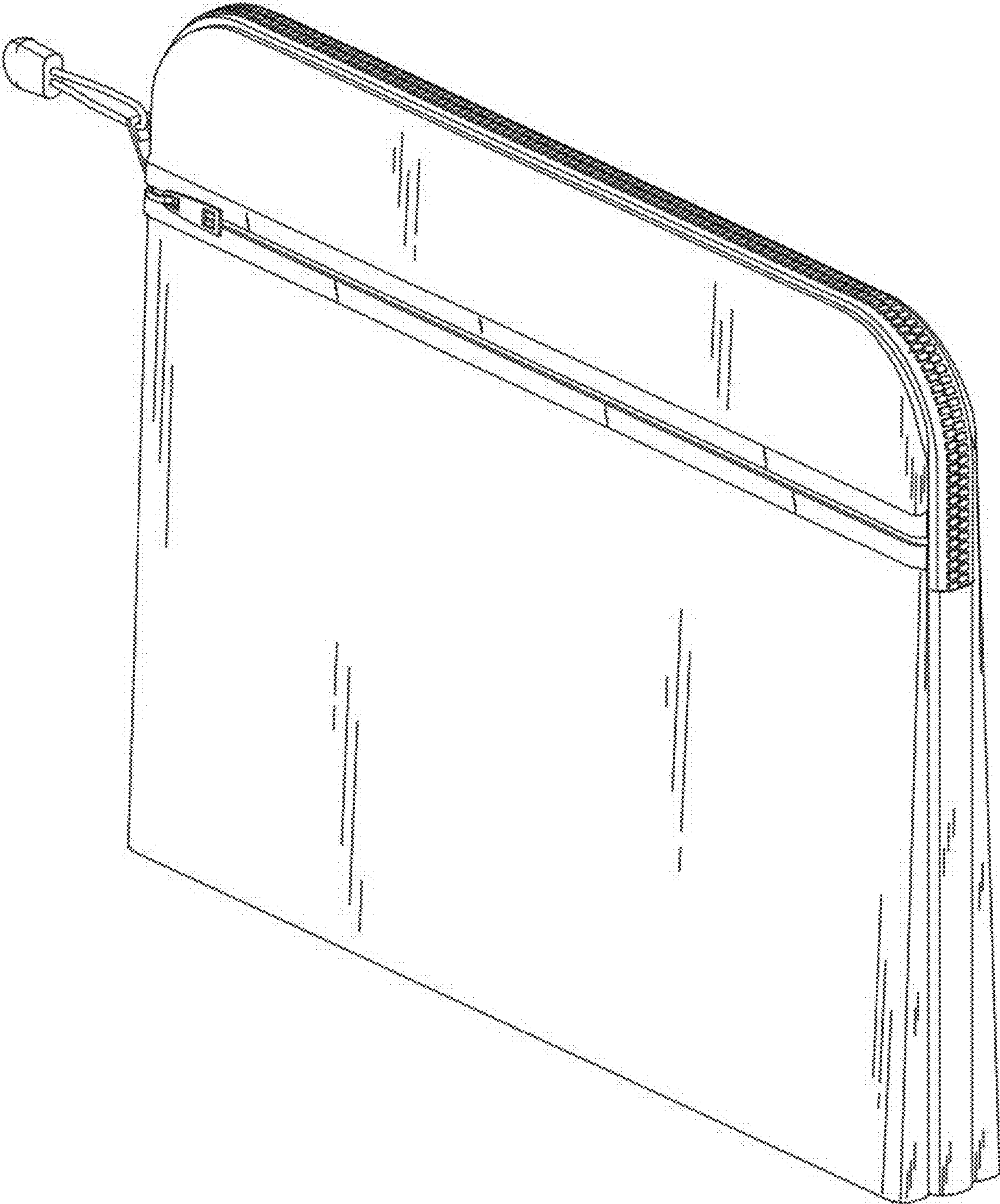


FIG.1

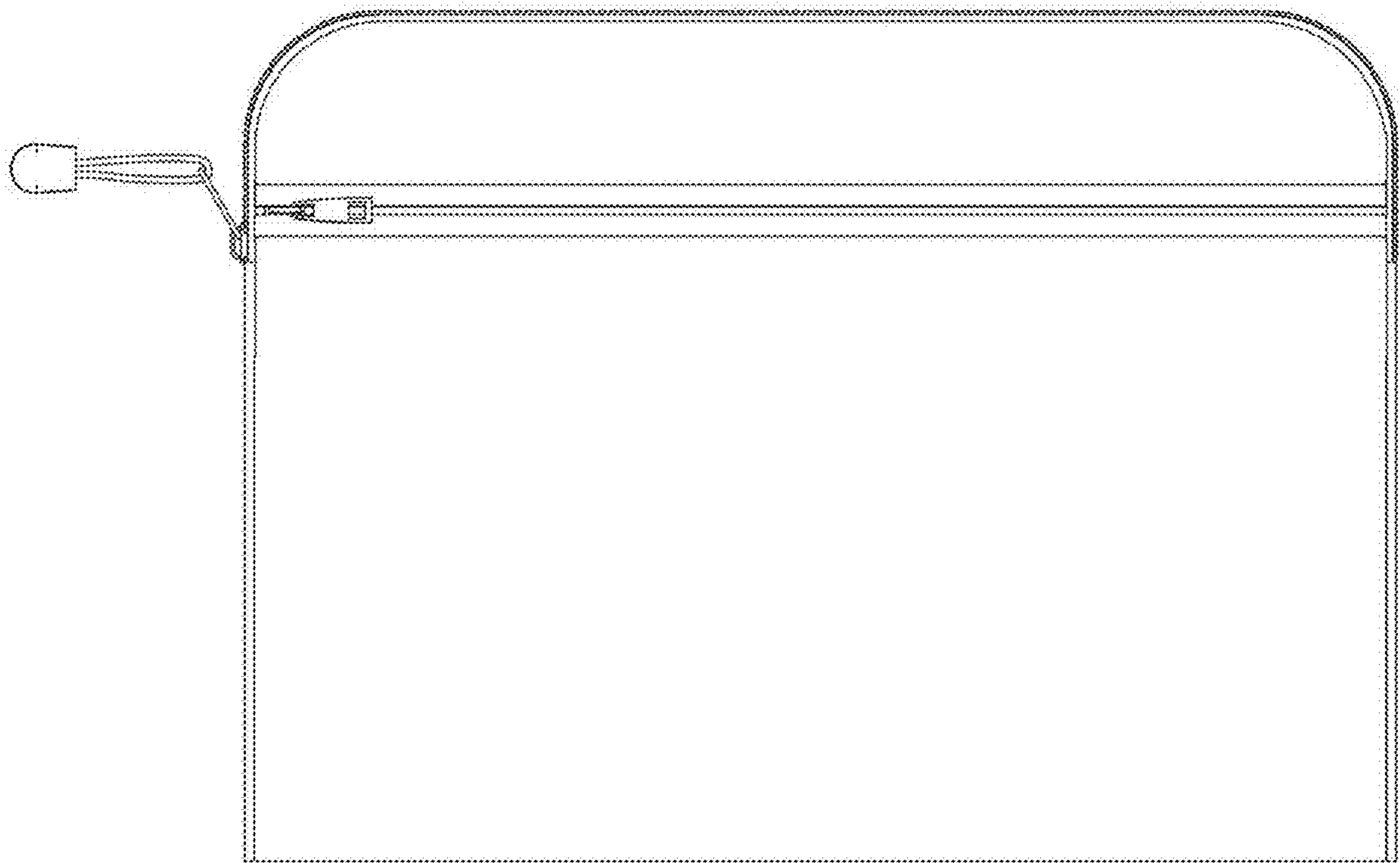


FIG.2

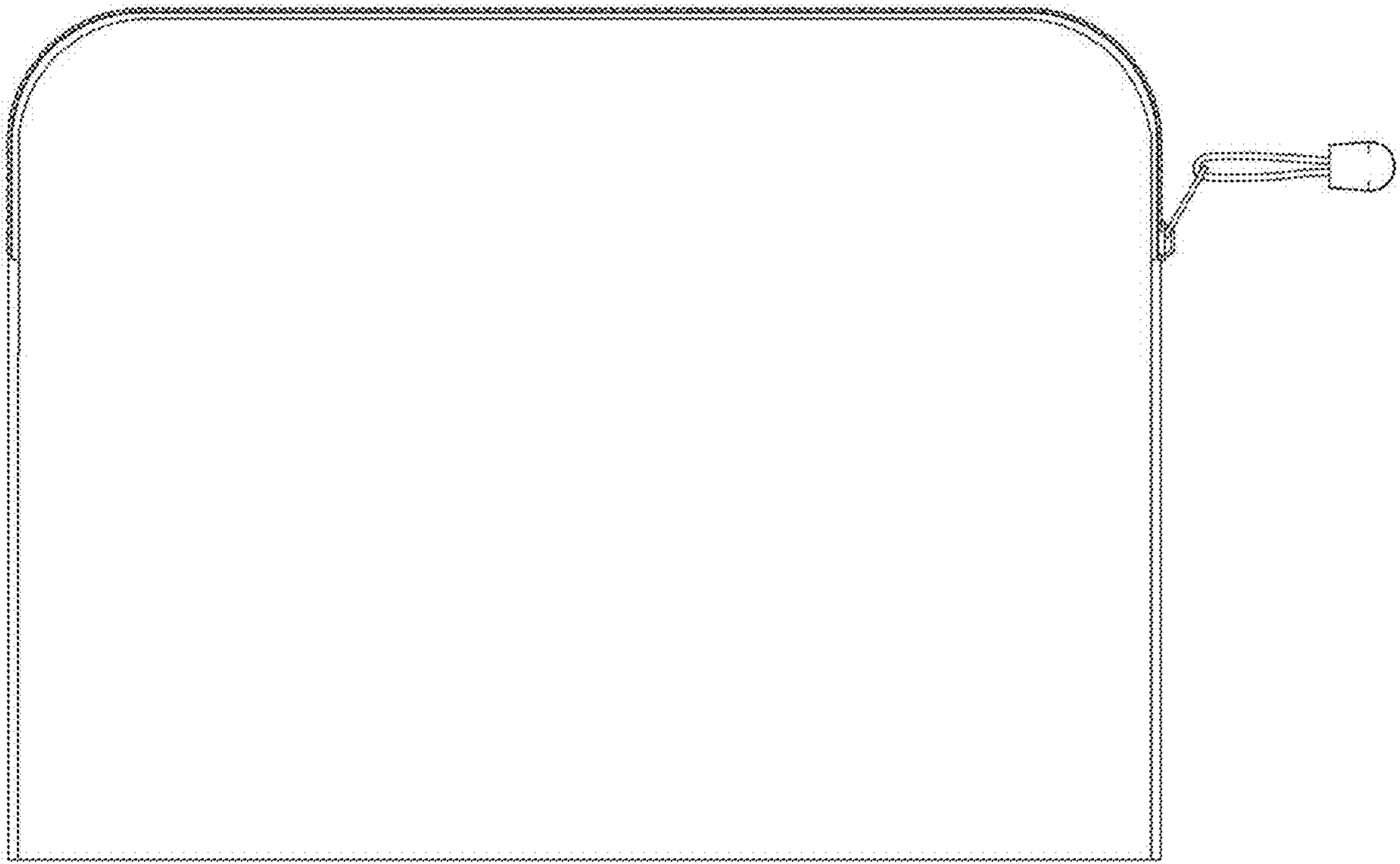


FIG.3

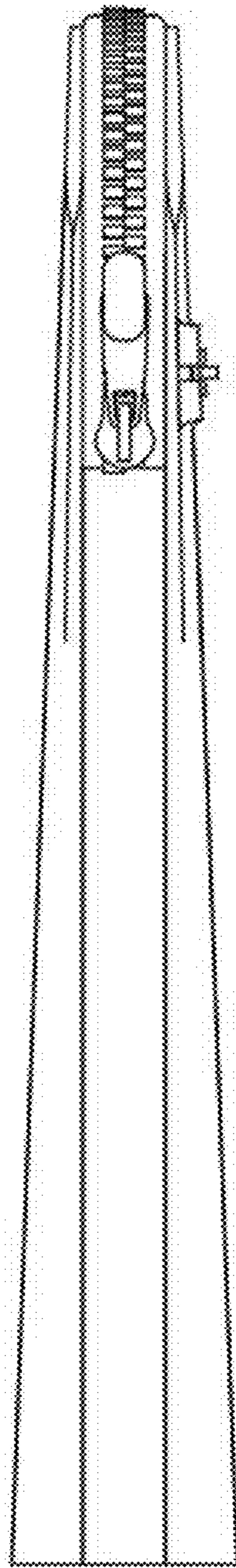


FIG.4

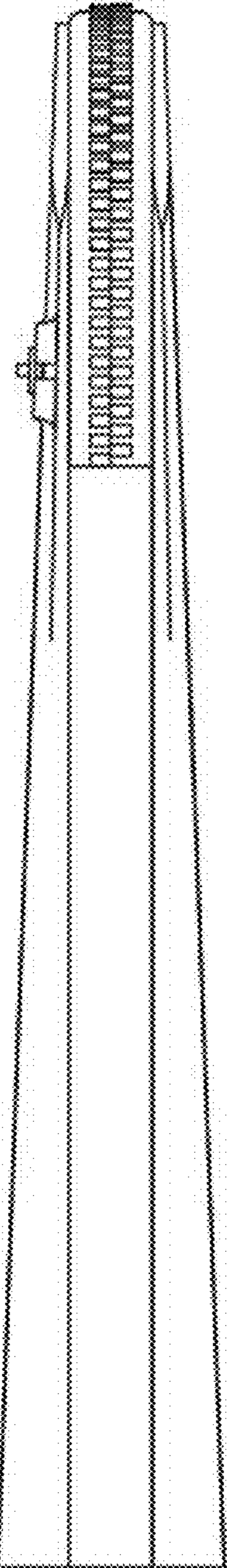


FIG.5

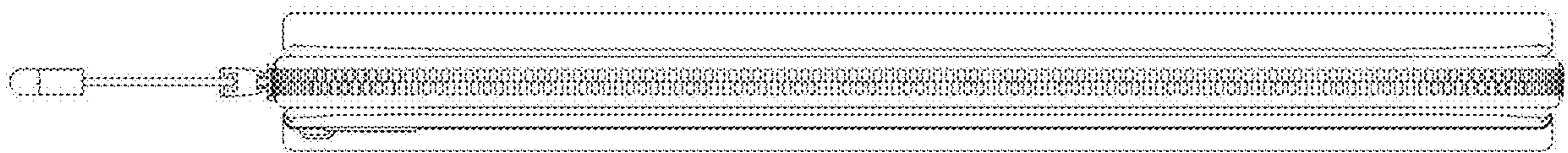


FIG.6

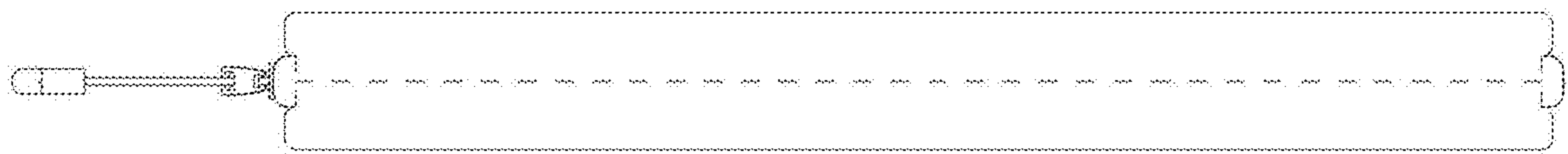


FIG.7