



US00D874145S

(12) **United States Design Patent** (10) **Patent No.:** **US D874,145 S**
Itoi (45) **Date of Patent:** **** Feb. 4, 2020**

(54) **BAG**

FOREIGN PATENT DOCUMENTS

(71) Applicant: **HOBONICHI CO., LTD.**, Tokyo (JP)

CN 303665565 S 5/2016

(72) Inventor: **Shigesato Itoi**, Tokyo (JP)

CN 303695698 S 6/2016

(73) Assignee: **HOBONICHI CO., LTD.**, Tokyo (JP)

JP D1477923 S 8/2013

JP D1478057 S 8/2013

(**) Term: **15 Years**

OTHER PUBLICATIONS

(21) Appl. No.: **29/654,060**

A webpage at <https://www.hobonichi.co.jp/>, accessed on Jun. 27, 2018 with partial translation.

(22) Filed: **Jun. 20, 2018**

A webpage at <https://www.1101.com/store/techo/ja/magazine/2018/hikidashi/2018-02-27.html> and its English translation at <https://www.1101.com/store/techo/en/magazine/2018/hikidashi/2018-02-27.html> first available Feb. 27, 2018.

(51) **LOC (12) Cl.** **03-01**

(52) **U.S. Cl.**

USPC **D3/301**

* cited by examiner

(58) **Field of Classification Search**

USPC D3/201, 205, 242, 273, 274, 275, 276,
D3/279, 281, 282, 283, 284, 289, 292,
D3/294, 295, 296, 297, 299, 301, 302,
D3/901, 903, 905

CPC A45C 5/04; A45C 11/00; A45C 11/16

See application file for complete search history.

Primary Examiner — Holly E Thurman

(74) *Attorney, Agent, or Firm* — Bret E. Field; Bozicevic, Field & Francis LLP

(56) **References Cited**

(57) **CLAIM**

The ornamental design for a bag, as shown and described.

U.S. PATENT DOCUMENTS

DESCRIPTION

D109,358 S *	4/1938	Ridenour	D3/301
D382,166 S *	8/1997	Alves	D3/301
D389,001 S *	1/1998	Alves	D3/301
D435,863 S *	1/2001	Eskandry	D19/27
D447,342 S *	9/2001	Guy	D3/301
D489,899 S *	5/2004	Carter	D3/301
D501,997 S *	2/2005	Hassett	D12/416
D581,669 S *	12/2008	Sween	D3/301
D613,054 S *	4/2010	Morszeck	D3/205
D659,998 S *	5/2012	Austin	D3/301
D712,144 S *	9/2014	Albanese	D3/301
D808,168 S *	1/2018	Turczynskij	D3/301
D819,545 S *	6/2018	O'Connor	D12/416
D854,827 S *	7/2019	Yuan	D3/289
D857,391 S *	8/2019	Coleman	D3/301

FIG. 1 is a perspective view of the bag showing my new design;

FIG. 2 is a front view thereof;

FIG. 3 is a rear view thereof;

FIG. 4 is a top view thereof;

FIG. 5 is a bottom view thereof;

FIG. 6 is a right side view thereof; and,

FIG. 7 is a left side view thereof.

The broken lines depict portions of the bag that form no part of the claimed design.

1 Claim, 7 Drawing Sheets

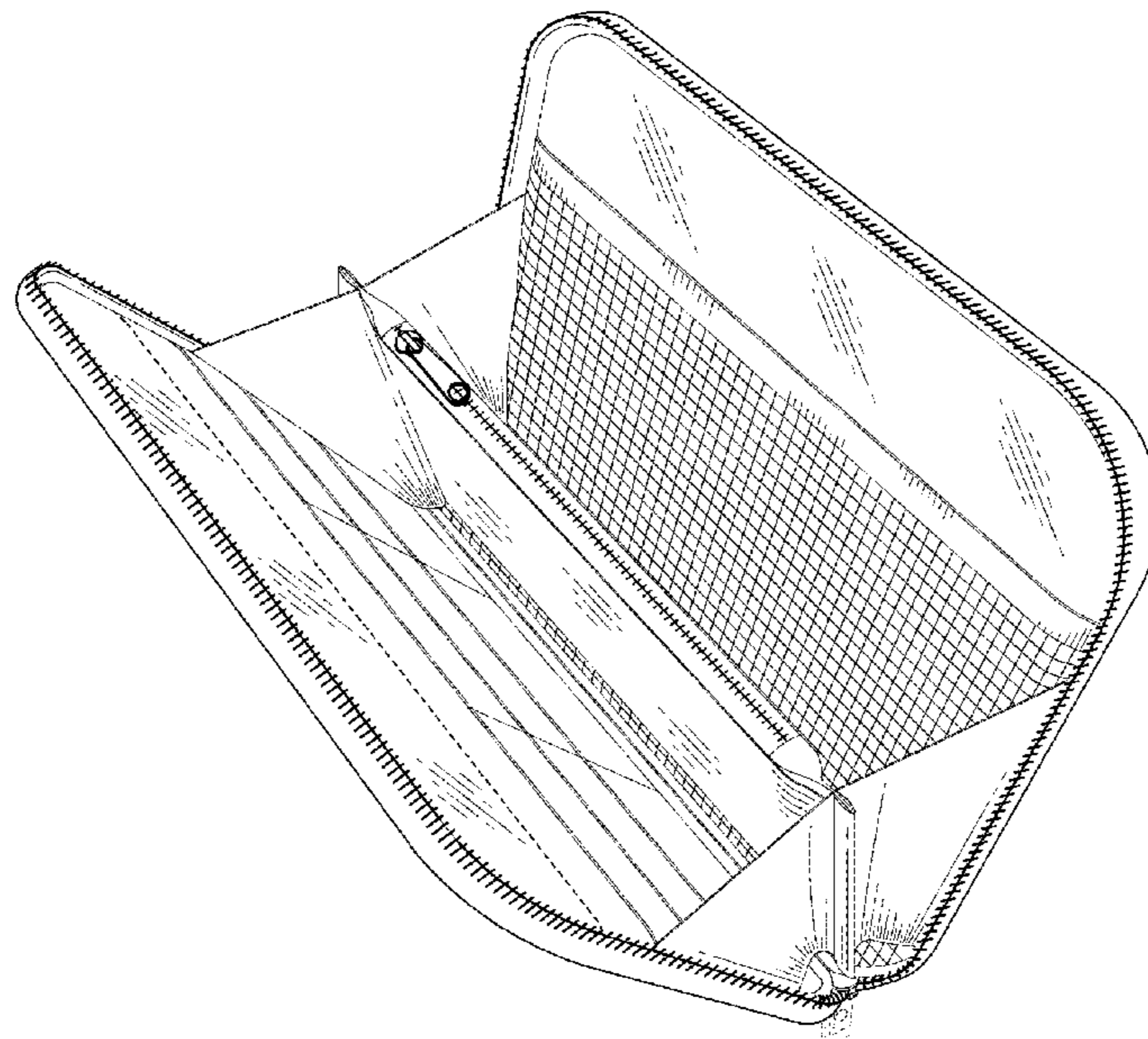


FIG. 1

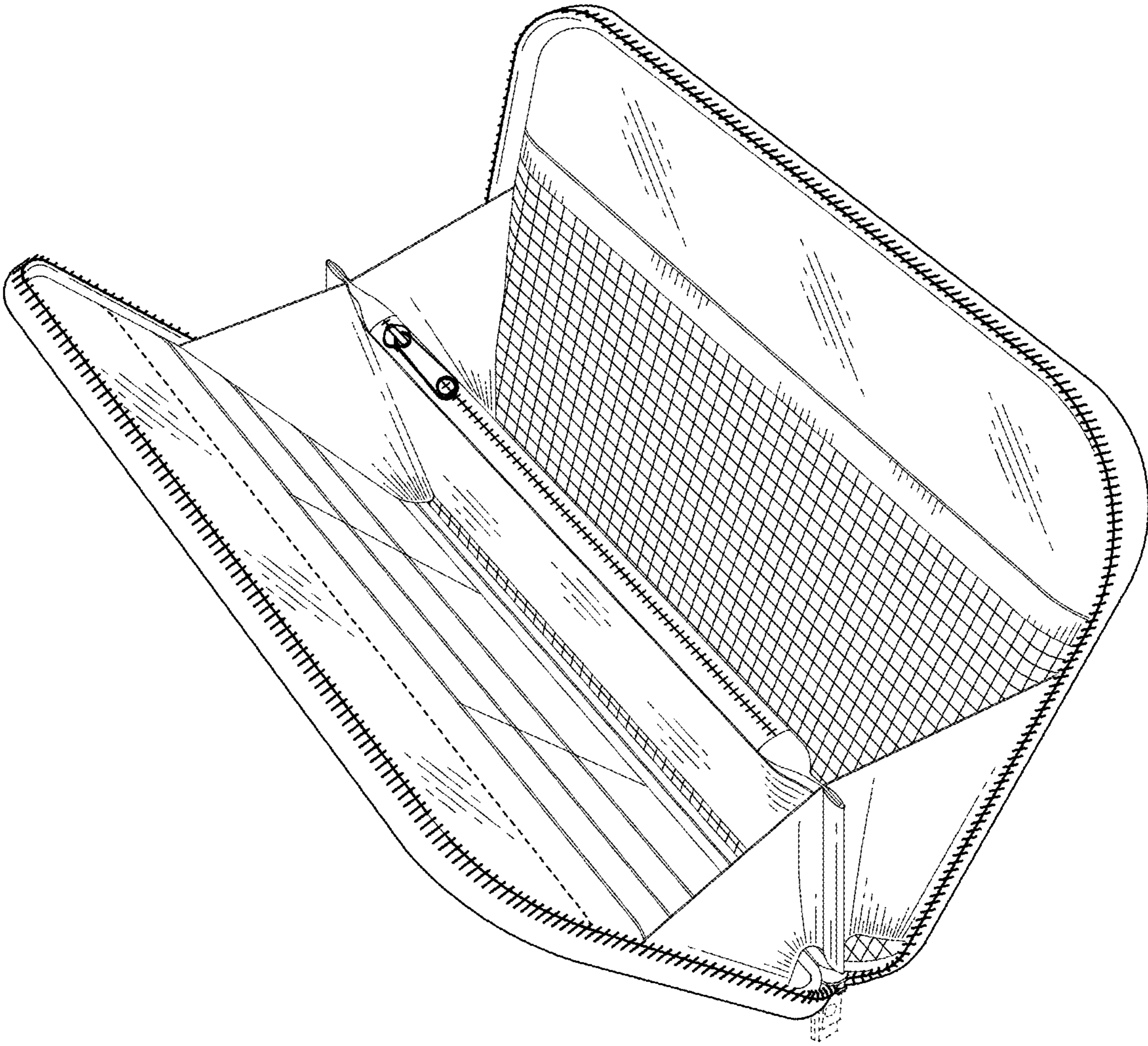


FIG. 2

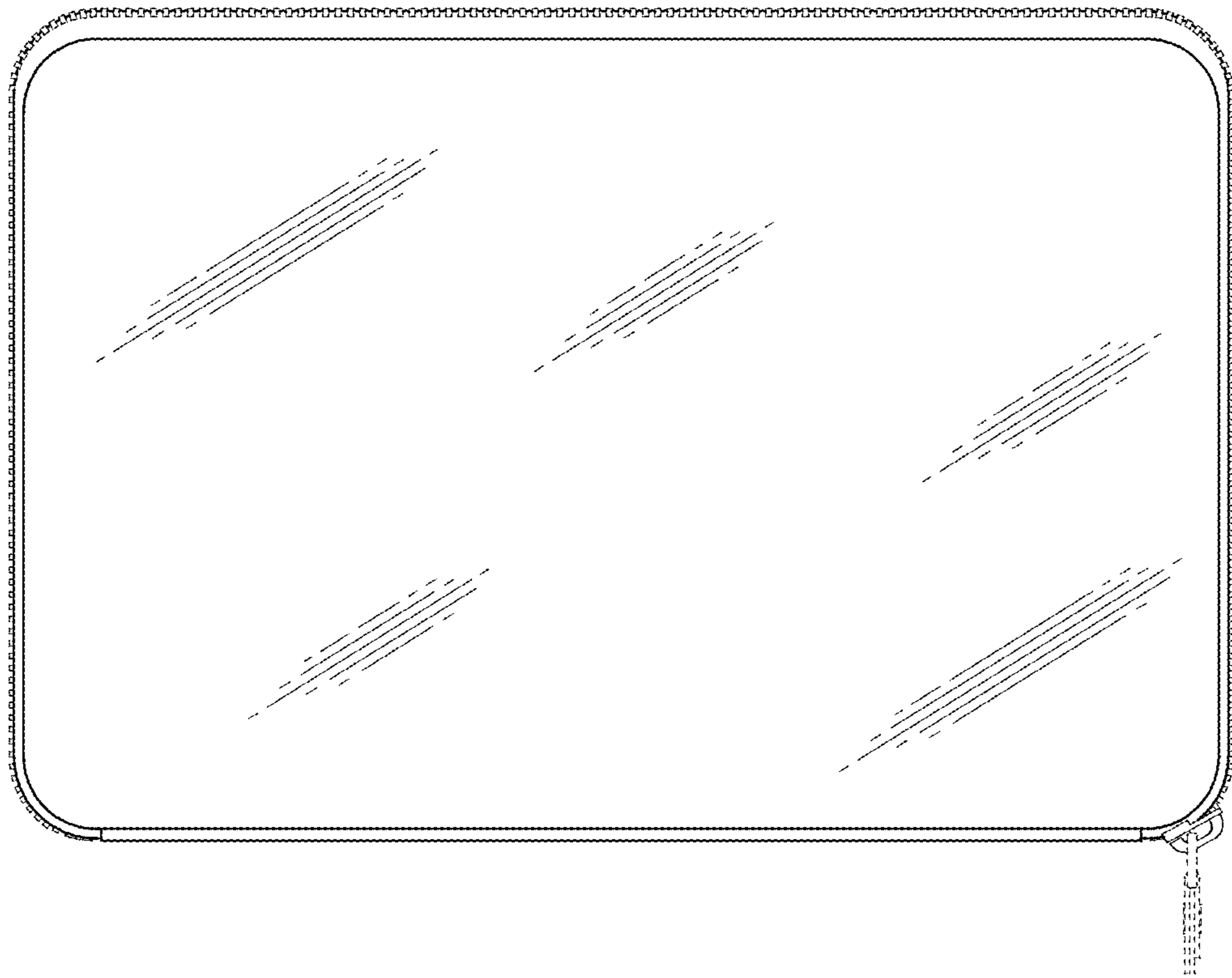


FIG. 3

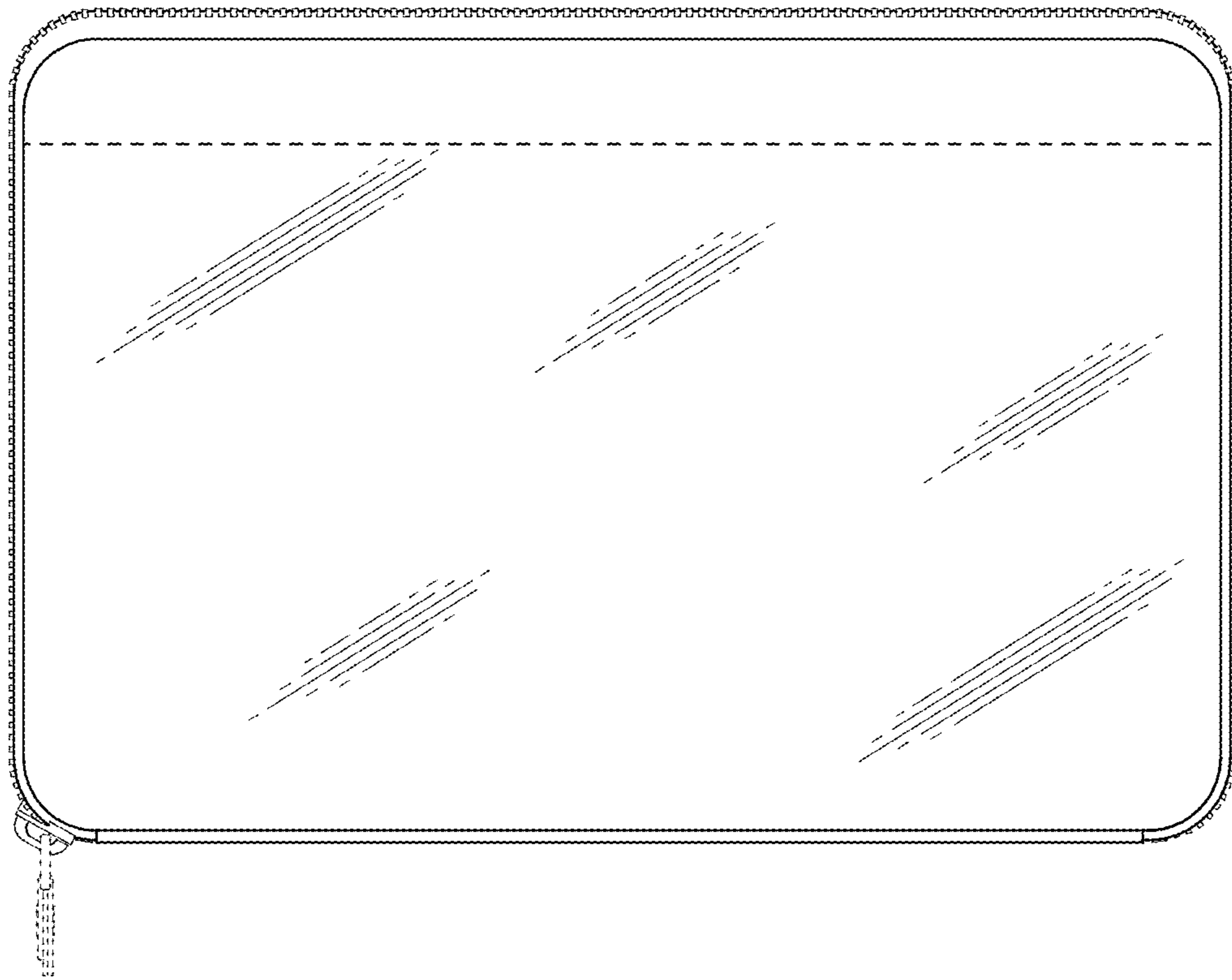


FIG. 4

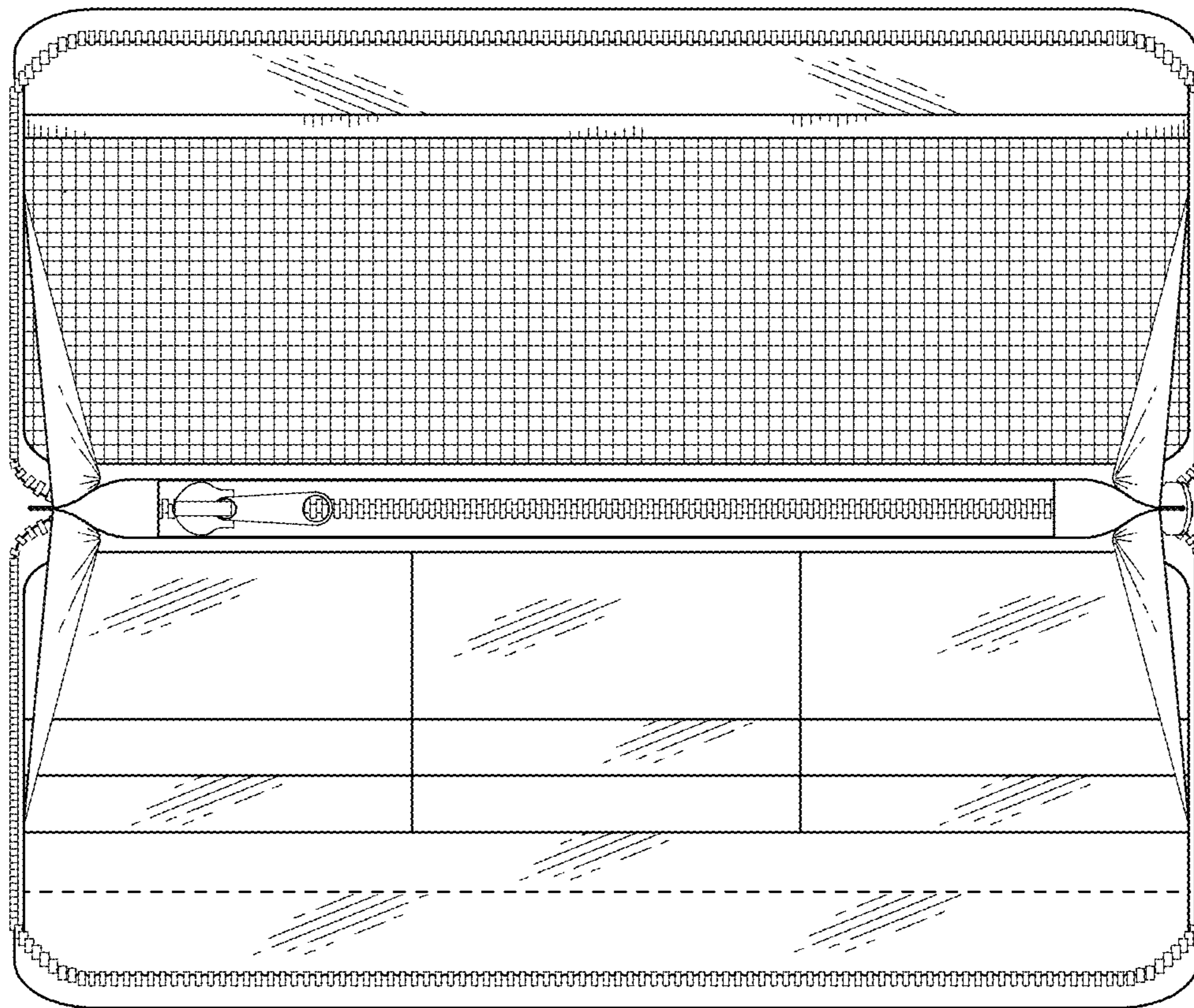


FIG. 5

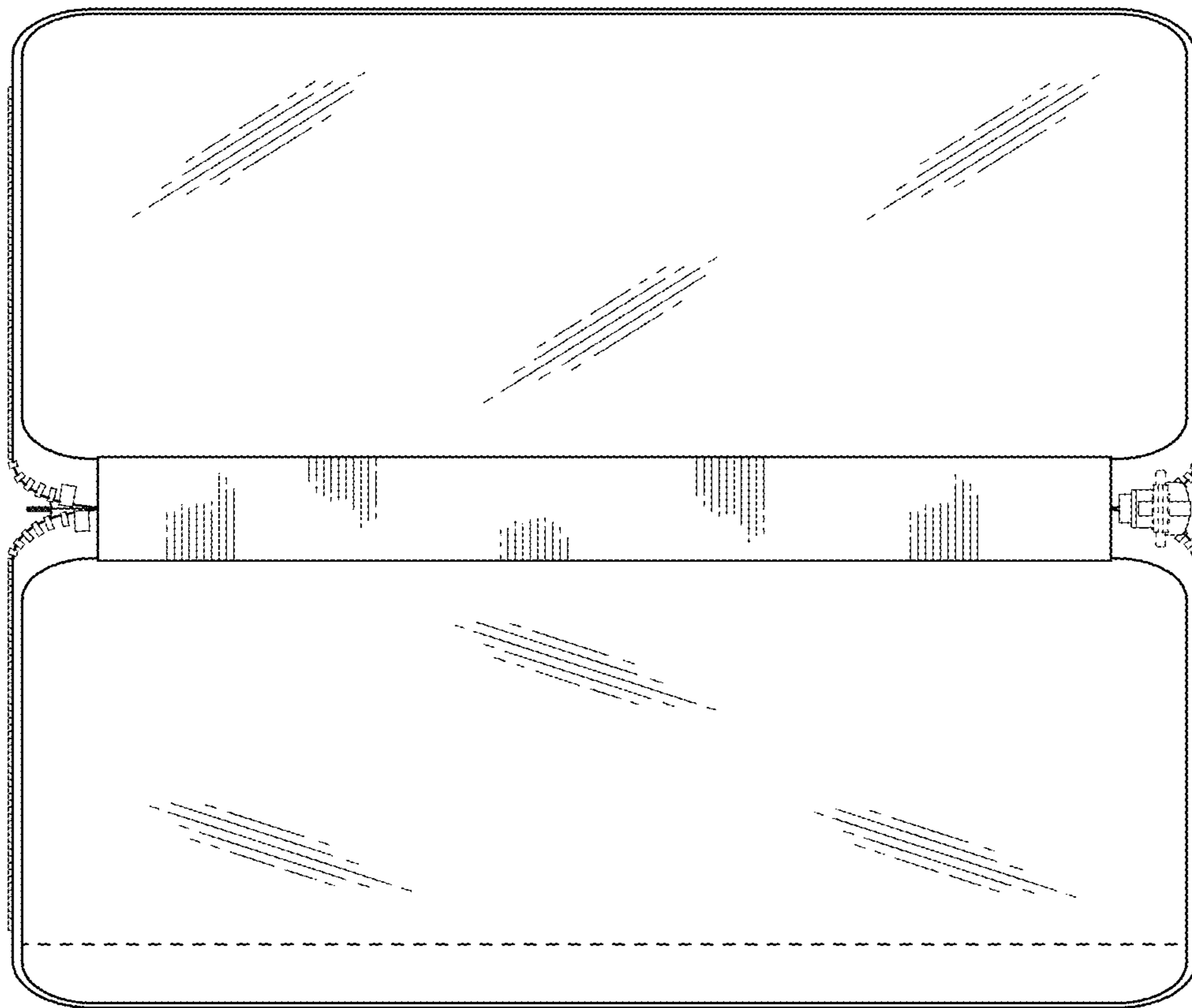


FIG. 6

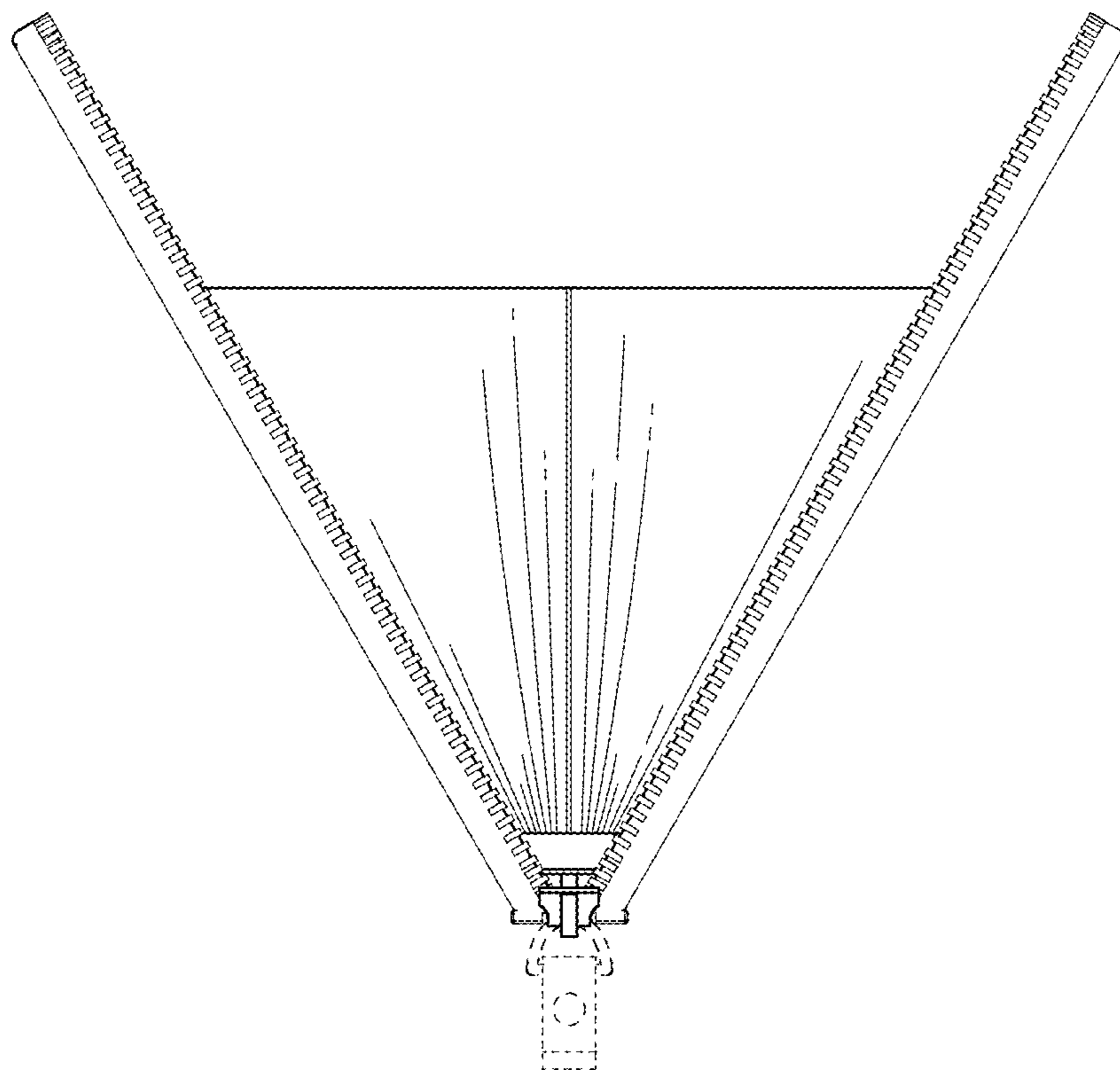


FIG. 7

