



US00D874143S

(12) **United States Design Patent** (10) **Patent No.:** **US D874,143 S**
Seibert (45) **Date of Patent:** **** Feb. 4, 2020**

(54) **TOOL CONTAINER**
(71) Applicant: **BLACK & DECKER INC.**, New Britain, CT (US)
(72) Inventor: **Matthew A. Seibert**, Columbus, OH (US)
(73) Assignee: **BLACK & DECKER INC.**, New Britain, CT (US)

6,868,967 B2 3/2005 Lam
D528,793 S 9/2006 Cornwell et al.
D530,092 S * 10/2006 Roesler D3/294
7,219,969 B2 5/2007 Bezzubov
7,237,673 B2 7/2007 Wikle et al.
7,322,470 B2 1/2008 Brunson
D563,102 S 3/2008 Cornwell et al.
D563,670 S 3/2008 Cornwell et al.
D563,671 S 3/2008 Cornwell et al.
D599,112 S * 9/2009 Wenchel D3/294

(Continued)

(**) Term: **15 Years**

FOREIGN PATENT DOCUMENTS

(21) Appl. No.: **29/672,211**

DE 3517308 A1 9/1985
DE 202014105326 U1 12/2014
EP 1736416 A2 12/2006

(22) Filed: **Dec. 4, 2018**

(51) **LOC (12) Cl.** **03-01**
(52) **U.S. Cl.**

OTHER PUBLICATIONS

USPC **D3/294**; D3/905
(58) **Field of Classification Search**
USPC D3/273, 274, 276, 279, 281, 282, 291,
D3/294, 298, 905, 302, 272, 289;
D19/81, 83, 102
CPC B65D 21/0233; B65D 21/0222;
B25H 3/003; B25H 3/006; B25H 3/02;
B25H 3/023; H02G 3/10; H02G 3/12
See application file for complete search history.

Home Depot, "Dewalt 1/4 in. Drive Socket Set (20-Piece)", First reviewed Dec. 13, 2016. (<https://www.homedepot.com/p/DEWALT-1-4-in-Drive-Socket-Set-20-Piece-DWMT73811/207007330>) (Year: 2016).*

Primary Examiner — April Rivas
(74) *Attorney, Agent, or Firm* — Scott B. Markow

(56) **References Cited**

(57) **CLAIM**

The ornamental design for a tool container, as shown and described.

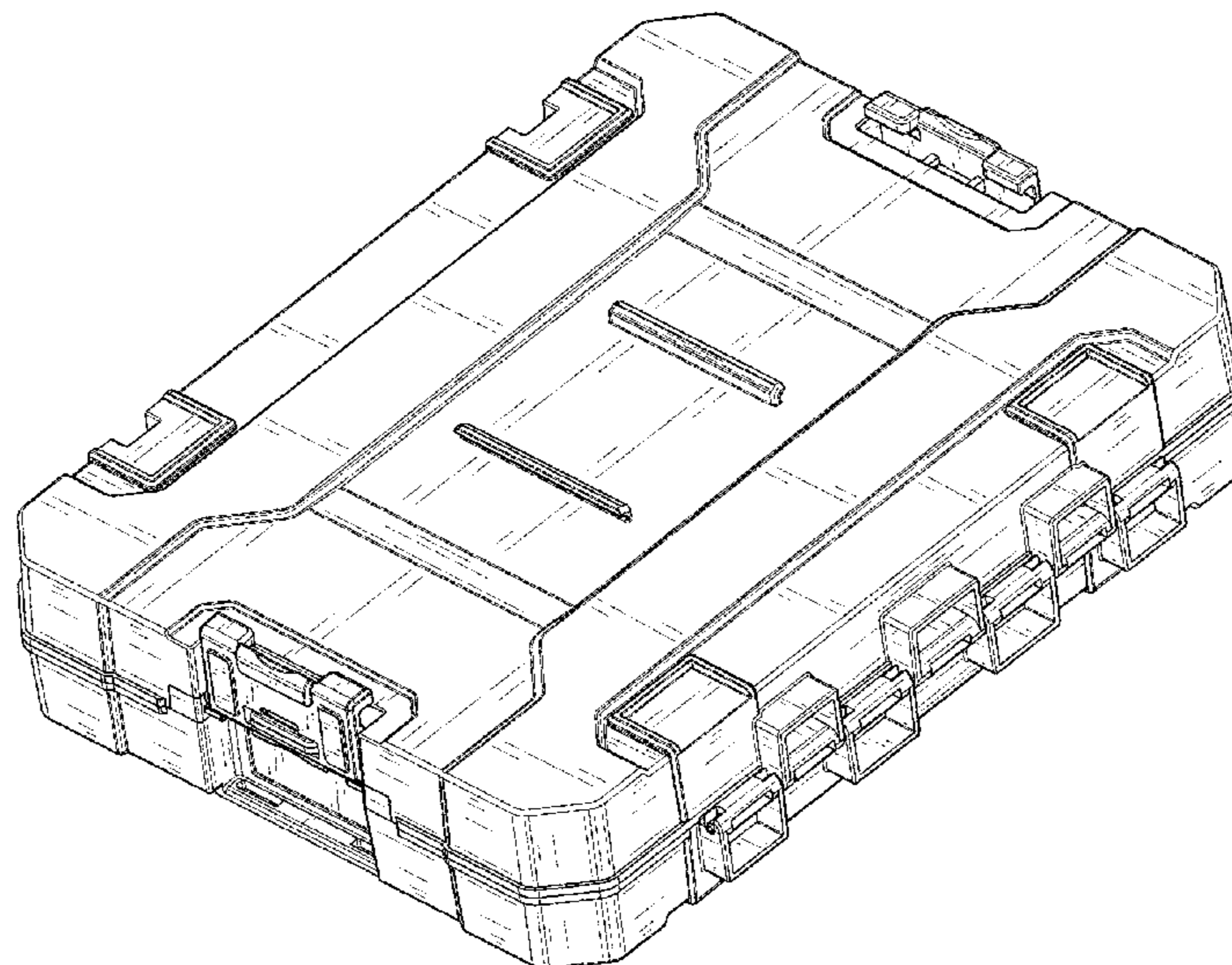
U.S. PATENT DOCUMENTS

DESCRIPTION

263,561 A 8/1882 Mower
4,643,494 A 2/1987 Marleau
4,863,222 A 9/1989 Posso
5,570,784 A 11/1996 Sidabras et al.
5,617,953 A 4/1997 Cope
5,803,254 A 9/1998 Vasudeva
5,887,715 A 3/1999 Vasudeva
5,890,613 A 4/1999 Williams
5,934,466 A 8/1999 Loeffler
6,082,539 A 7/2000 Lee
6,271,320 B1 8/2001 Keller et al.
6,349,827 B1 2/2002 Feder
6,543,613 B2 4/2003 Belanger

FIG. 1 is a top perspective view of a tool container.
FIG. 2 is a bottom perspective view thereof.
FIG. 3 is a top plan view thereof.
FIG. 4 is a bottom plan view thereof.
FIG. 5 is a rear side view thereof.
FIG. 6 is a front side view thereof.
FIG. 7 is a left view thereof; and,
FIG. 8 is a right view thereof.

1 Claim, 8 Drawing Sheets



(56)

References Cited

U.S. PATENT DOCUMENTS

7,690,856 B2	4/2010	Mortensen	
D636,994 S *	5/2011	Okuda	D3/276
D645,663 S	9/2011	Henley et al.	
D648,531 S	11/2011	Finnigan et al.	
8,322,354 B2	12/2012	Parker	
8,459,495 B2	6/2013	Koenig et al.	
8,561,679 B2	10/2013	Andochick	
8,590,704 B2	11/2013	Koenig et al.	
8,714,355 B2	5/2014	Huang	
8,875,888 B2	11/2014	Koenig et al.	
8,979,100 B2	3/2015	Bensman et al.	
D738,106 S *	9/2015	Shitrit	D3/276
D753,394 S *	4/2016	Brunner	D3/276
9,469,024 B2	10/2016	Bensman et al.	
D773,184 S *	12/2016	Ko	D3/274
D781,584 S	3/2017	Kinsky	
D798,053 S *	9/2017	Shitrit	D3/276
D814,187 S *	4/2018	Caglar	D3/276
D851,399 S *	6/2019	Sarfati	D3/282
2002/0179473 A1	12/2002	Chao	
2004/0188322 A1	9/2004	Chen	
2005/0029139 A1 *	2/2005	Chen	B25H 3/023 206/373
2012/0152944 A1	6/2012	Vilkomirski et al.	
2015/0165617 A1 *	6/2015	Chern	B25H 3/02 206/374
2015/0353231 A1	10/2015	Brunner	
2016/0075010 A1	3/2016	Gonzalez et al.	
2016/0194115 A1	7/2016	Stuart et al.	
2019/0168376 A1 *	6/2019	Brocket	B25H 3/02

* cited by examiner

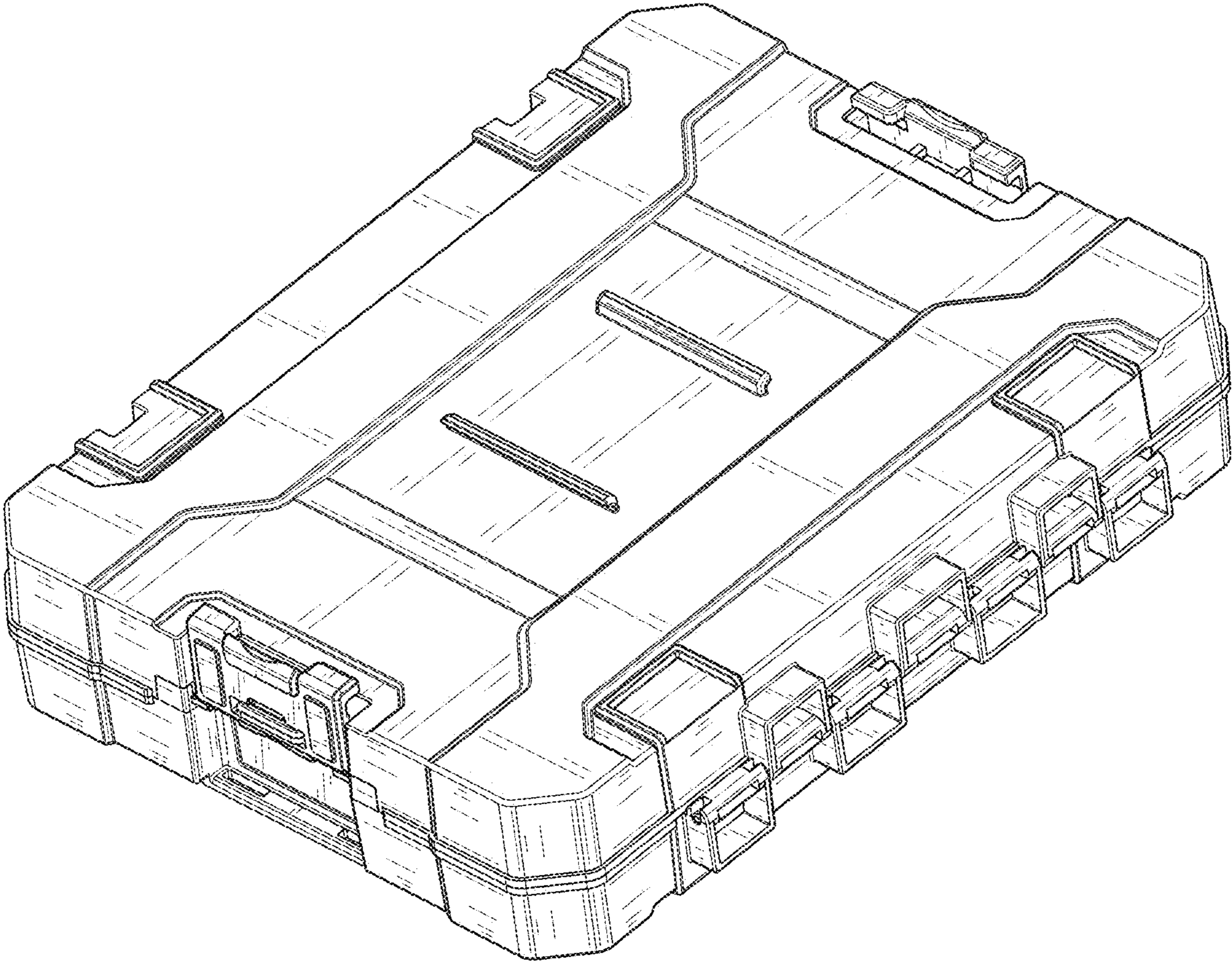


FIG. 1

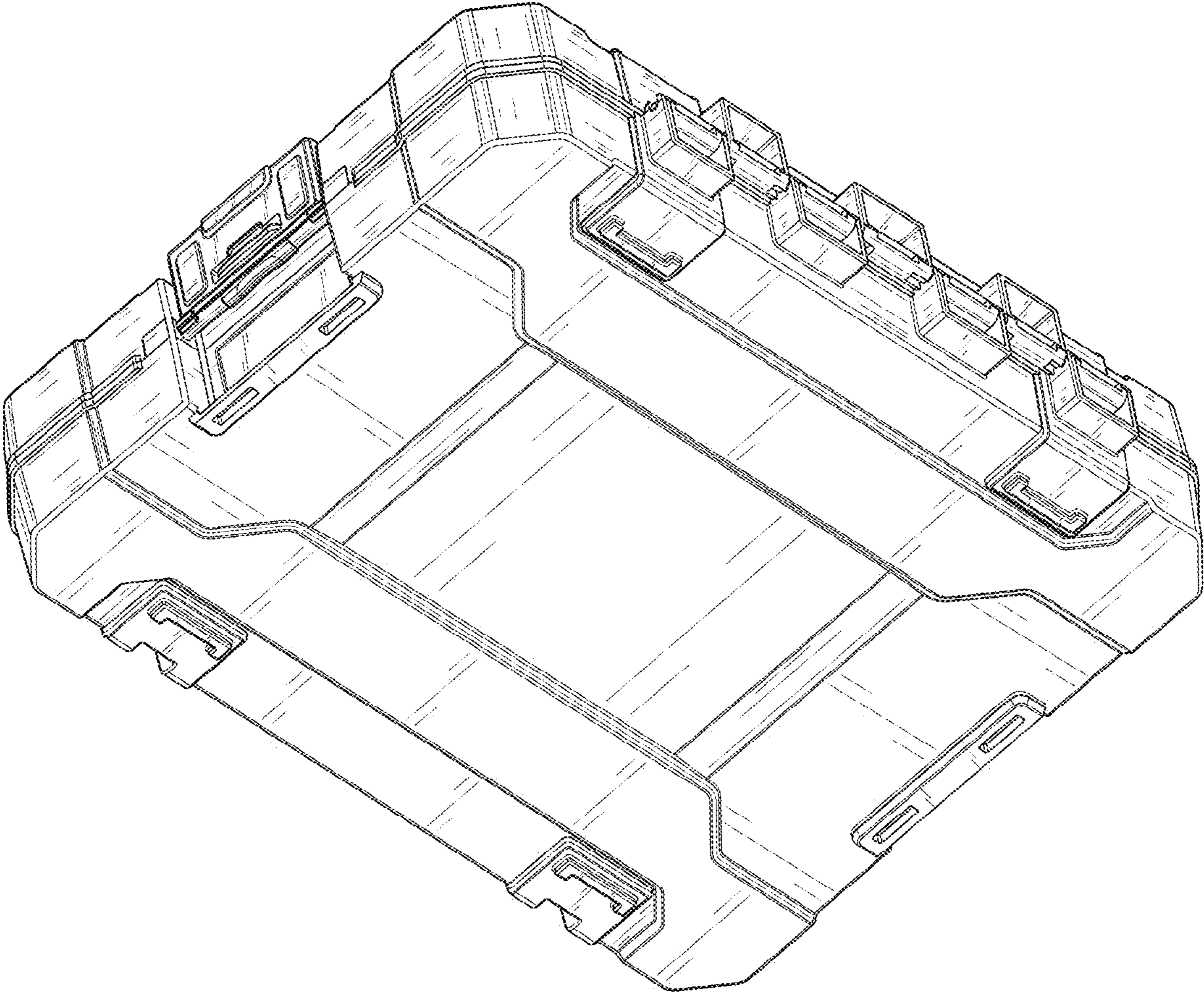


FIG. 2

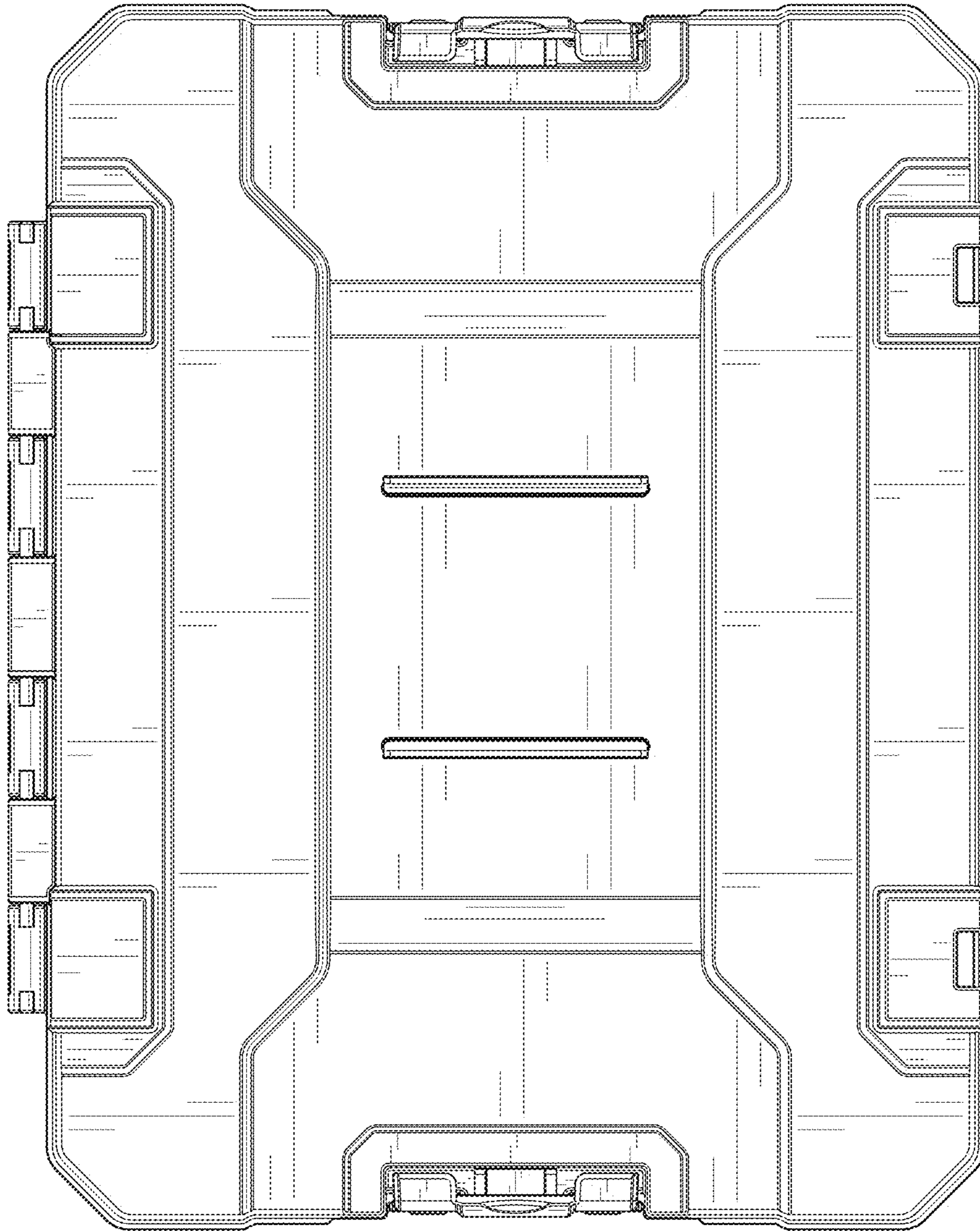


FIG. 3

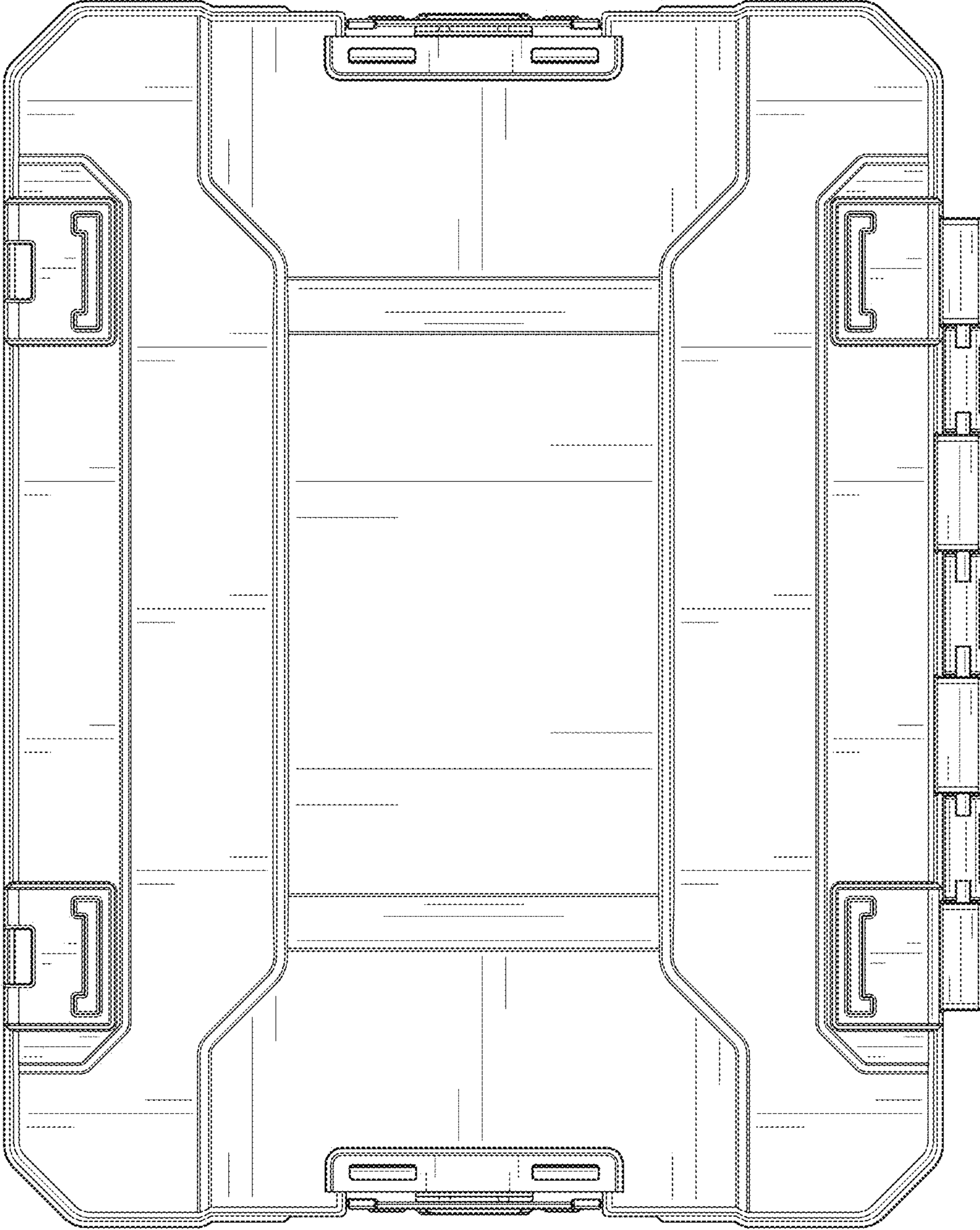


FIG. 4

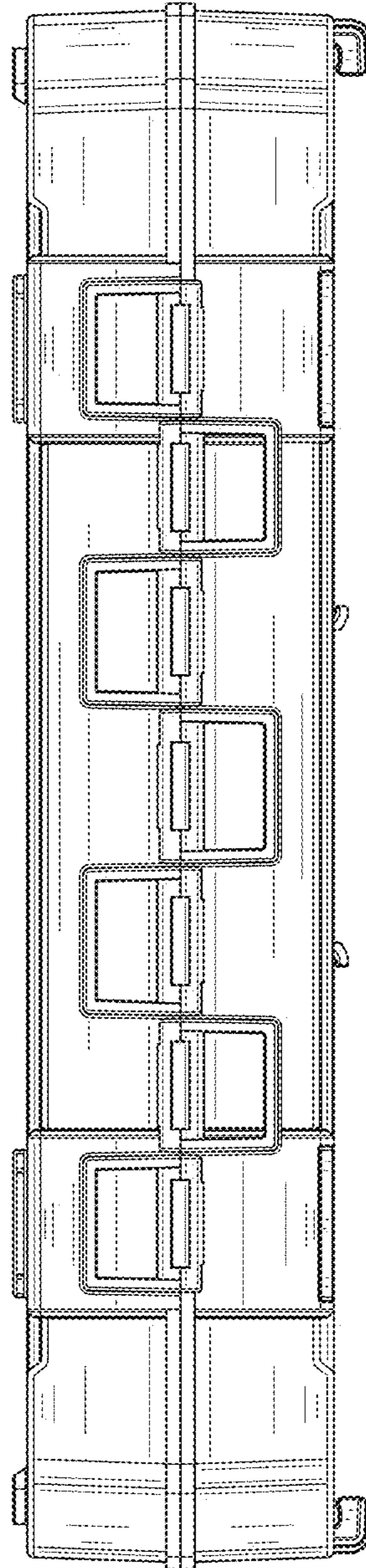


FIG. 5

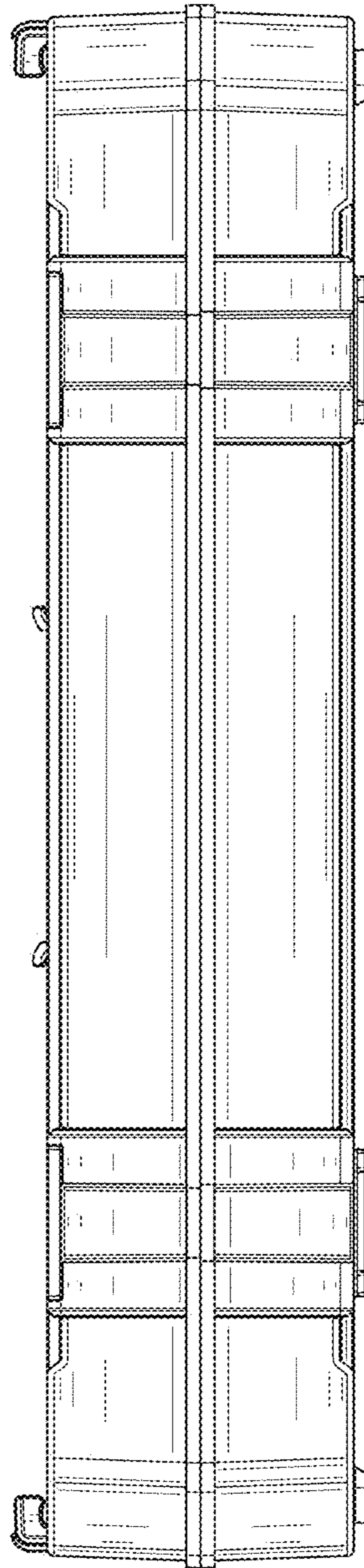


FIG. 6

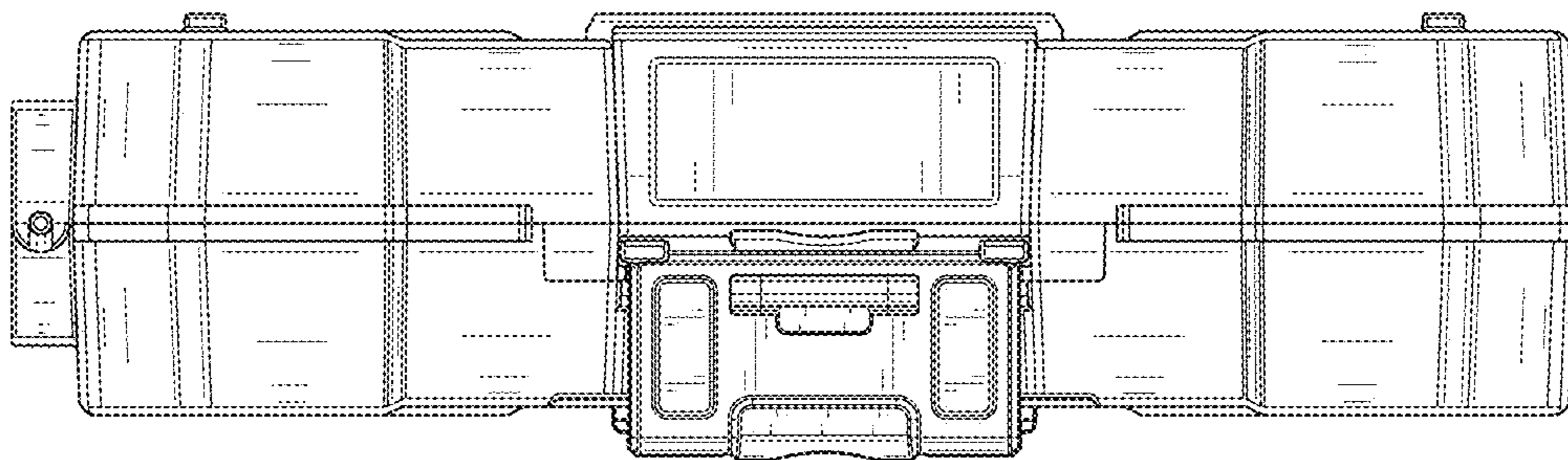


FIG. 7

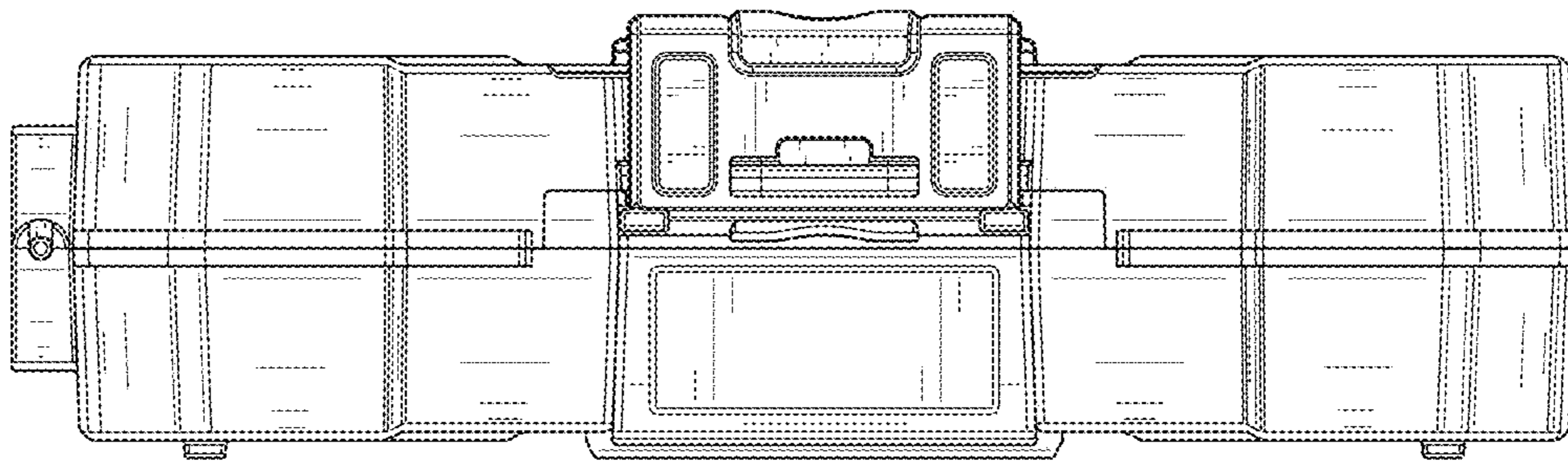


FIG. 8