



US00D874138S

(12) **United States Design Patent** (10) **Patent No.:** **US D874,138 S**
DeCarlo et al. (45) **Date of Patent:** **** *Feb. 4, 2020**

(54) **CONTAINER WITH DIGITAL LOCK**

(71) Applicant: **IdeaStream Consumer Products, LLC**, Cleveland, OH (US)

(72) Inventors: **Anthony DeCarlo**, Las Vegas, NV (US); **Zhengong Li**, Shenzhen (CN)

(73) Assignee: **IdeaStream Consumer Products, LLC**, Cleveland, OH (US)

(*) Notice: This patent is subject to a terminal disclaimer.

(**) Term: **15 Years**

(21) Appl. No.: **29/631,678**

(22) Filed: **Jan. 2, 2018**

(51) **LOC (12) Cl.** **03-01**

(52) **U.S. Cl.**
USPC **D3/274; D3/294; D3/276**

(58) **Field of Classification Search**
USPC D3/203.1, 203.6, 226, 227, 232, 246, D3/247, 249, 251, 254, 273, 274, 276, D3/285, 289, 301, 901, 903, 294
CPC A45C 3/00; A45C 2003/007; A45C 3/02; A45C 11/008; A45C 2200/10; A45C 5/005; A45C 15/00; A45D 2200/00
See application file for complete search history.

(56) **References Cited**

U.S. PATENT DOCUMENTS

D446,011 S *	8/2001	Ogilvie	D3/273
D490,206 S *	5/2004	Perella	D99/28
D497,252 S *	10/2004	Perella	D3/272
D498,049 S *	11/2004	Perella	D3/273
D500,922 S *	1/2005	Perella	D3/273
D522,746 S *	6/2006	Perella	D3/276
D529,287 S *	10/2006	Perella	D3/294
D561,462 S *	2/2008	Perella	D3/206

D578,819 S *	10/2008	Perella	D3/294
D671,743 S *	12/2012	Cenzano	D3/272
D677,465 S *	3/2013	Cenzano	D3/276
2007/0172308 A1 *	7/2007	Perella	A45C 3/02 402/73
2012/0080350 A1 *	4/2012	Powell	A45C 13/10 206/528

OTHER PUBLICATIONS

Amazon, "Vaultz VZ01209 Locking Digital Dorm Chest . . .", First on sale Mar. 13, 2018. (<https://www.amazon.com/Vaultz-VZ01209-Valuables-Combination-Aluminum/dp/B07BFRHN94/>) (Year: 2018).*
Home Depot, "First Alert 0.27 cu. ft. Capacity and Electronic Digital Lock Steel Box", First reviewed May 16, 2011. (<https://www.homedepot.com/p/First-Alert-0-27-cu-ft-Capacity-and-Electronic-Digital-Lock-Steel-Box-3035DF/202350564>) (Year: 2011).*

* cited by examiner

Primary Examiner — April Rivas

(74) *Attorney, Agent, or Firm* — Fay Sharpe LLP

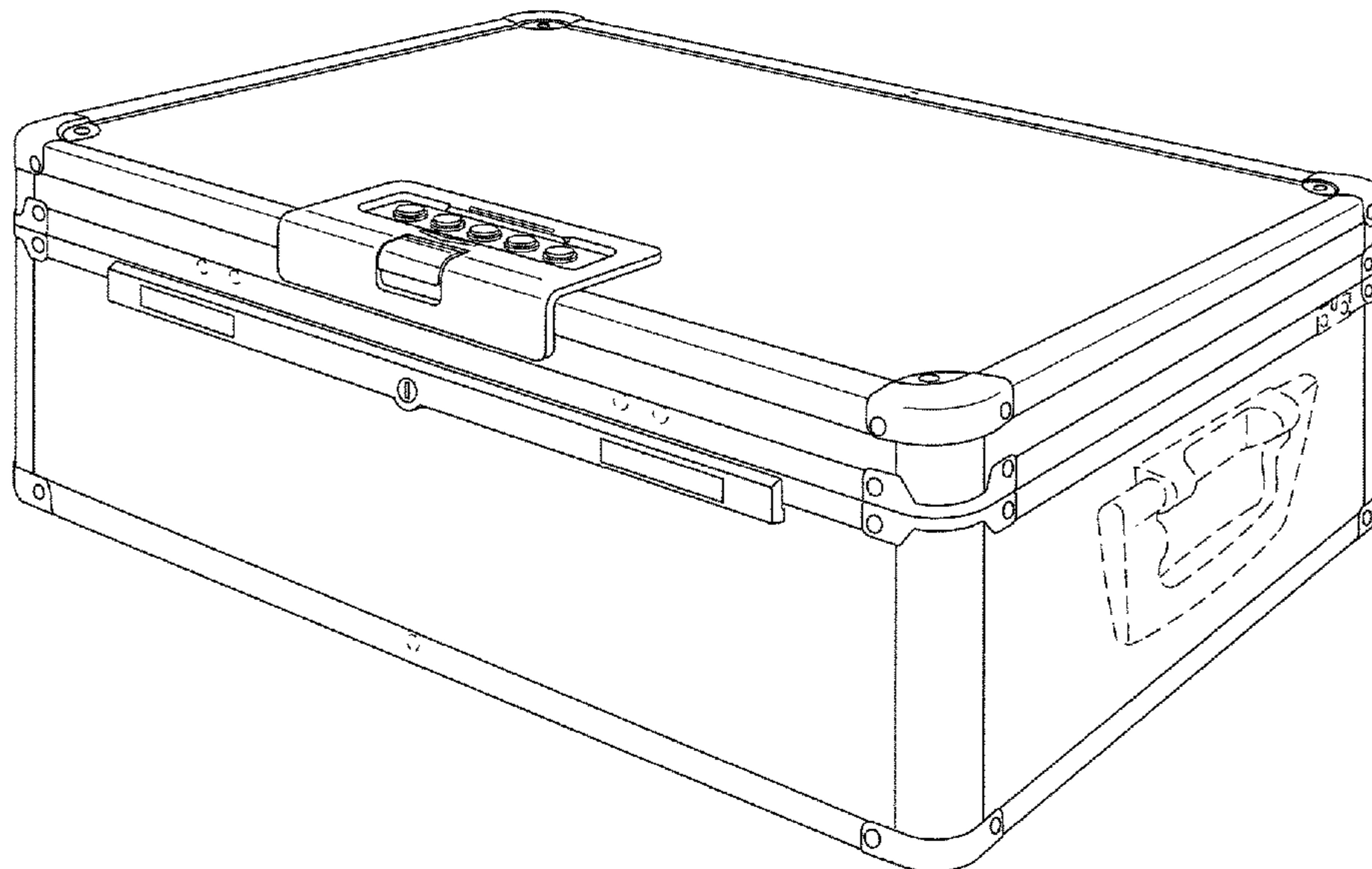
(57) **CLAIM**

The ornamental design for a container with digital lock, as shown and described.

DESCRIPTION

FIG. 1 is a front left perspective view of a container with digital lock of the present application;
FIG. 2 is a front elevational view of the container of FIG. 1;
FIG. 3 top plan view of the container of FIG. 1;
FIG. 4 is a left side plan view of the container of FIG. 1;
FIG. 5 is a right side elevational view of the container of FIG. 1;
FIG. 6 is a bottom plan view of the container of FIG. 1; and,
FIG. 7 is a back elevational view of the container of FIG. 1.
The broken lines illustrate portions of the container with digital lock and form no part of the claimed design.

1 Claim, 6 Drawing Sheets



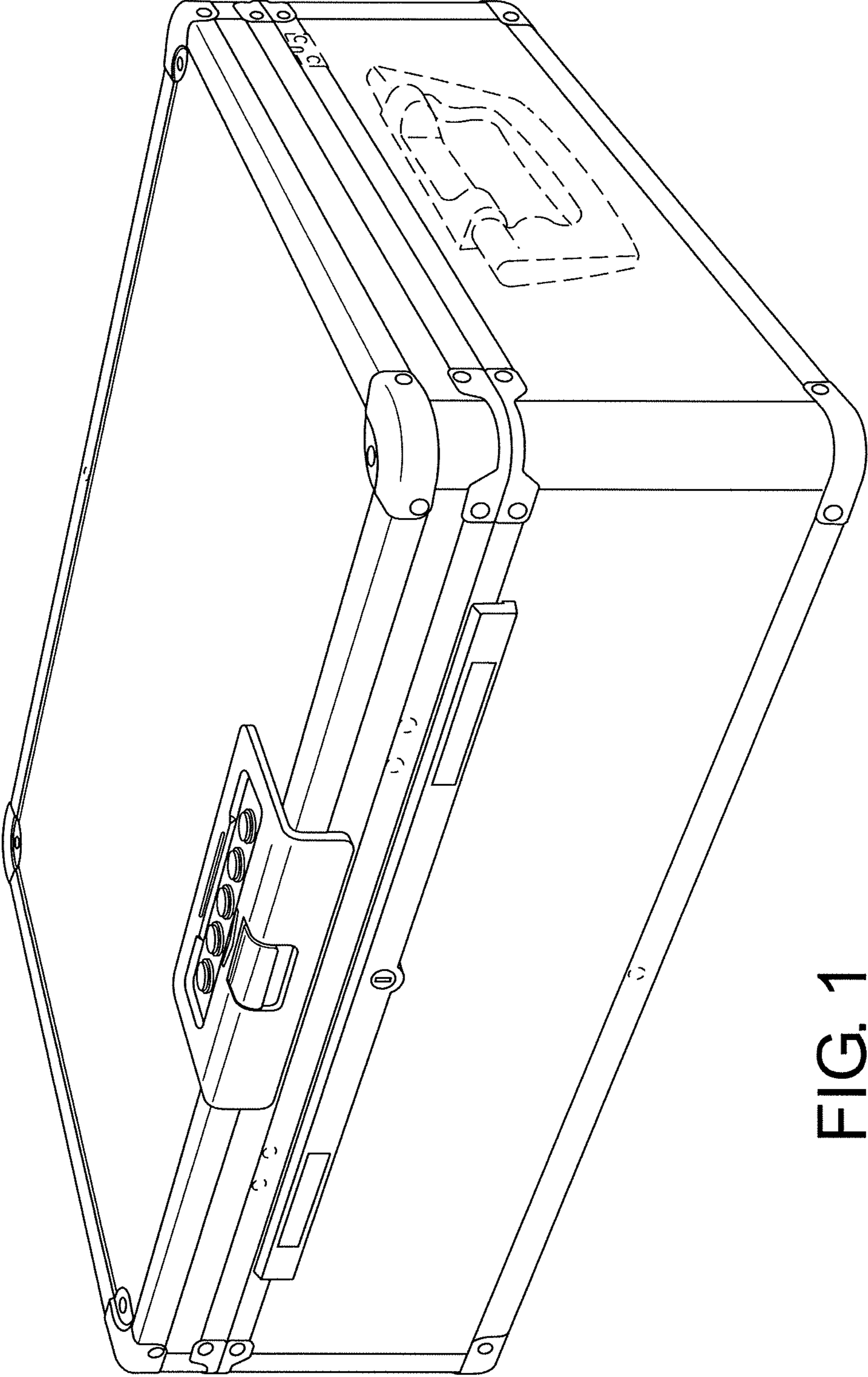


FIG. 1

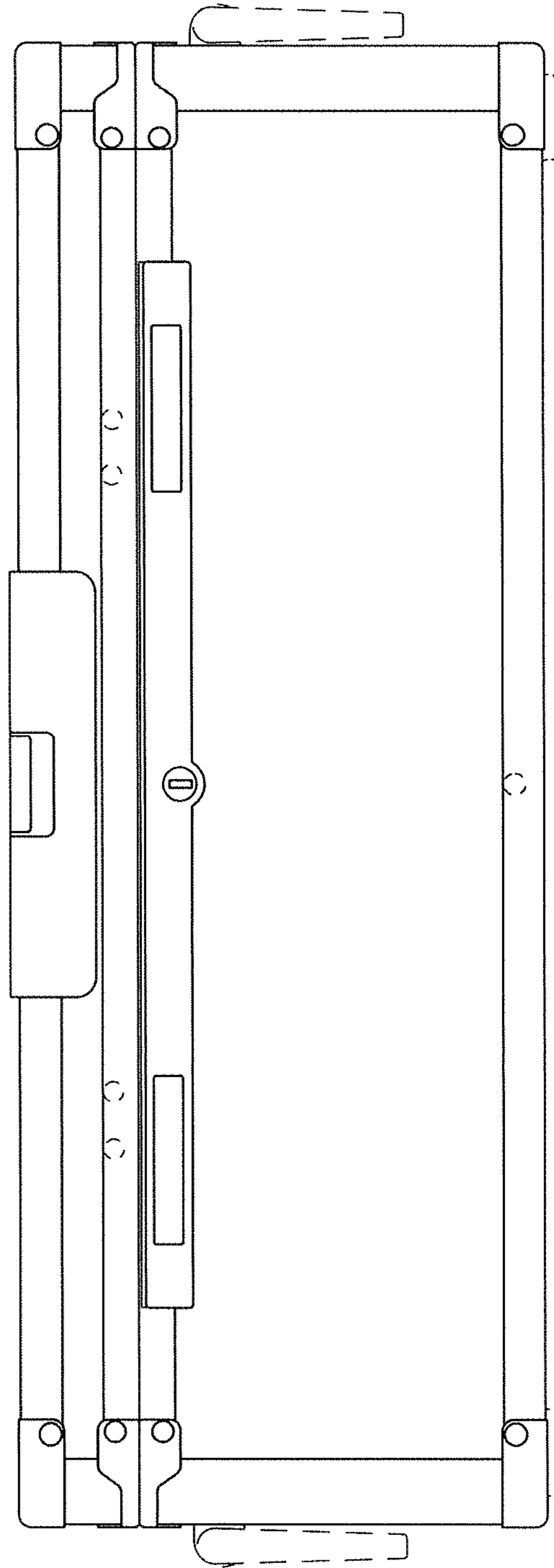


FIG. 2

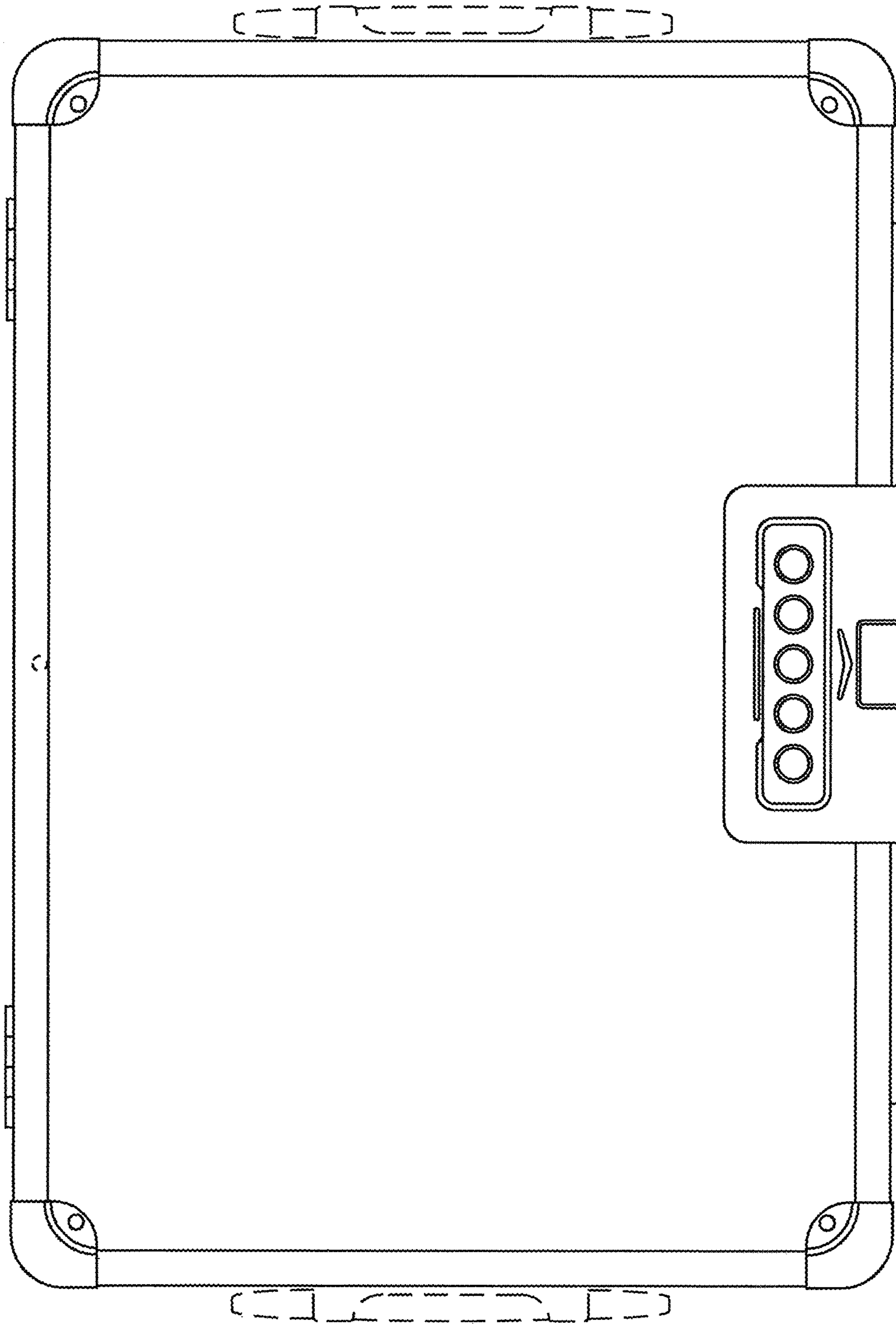


FIG. 3

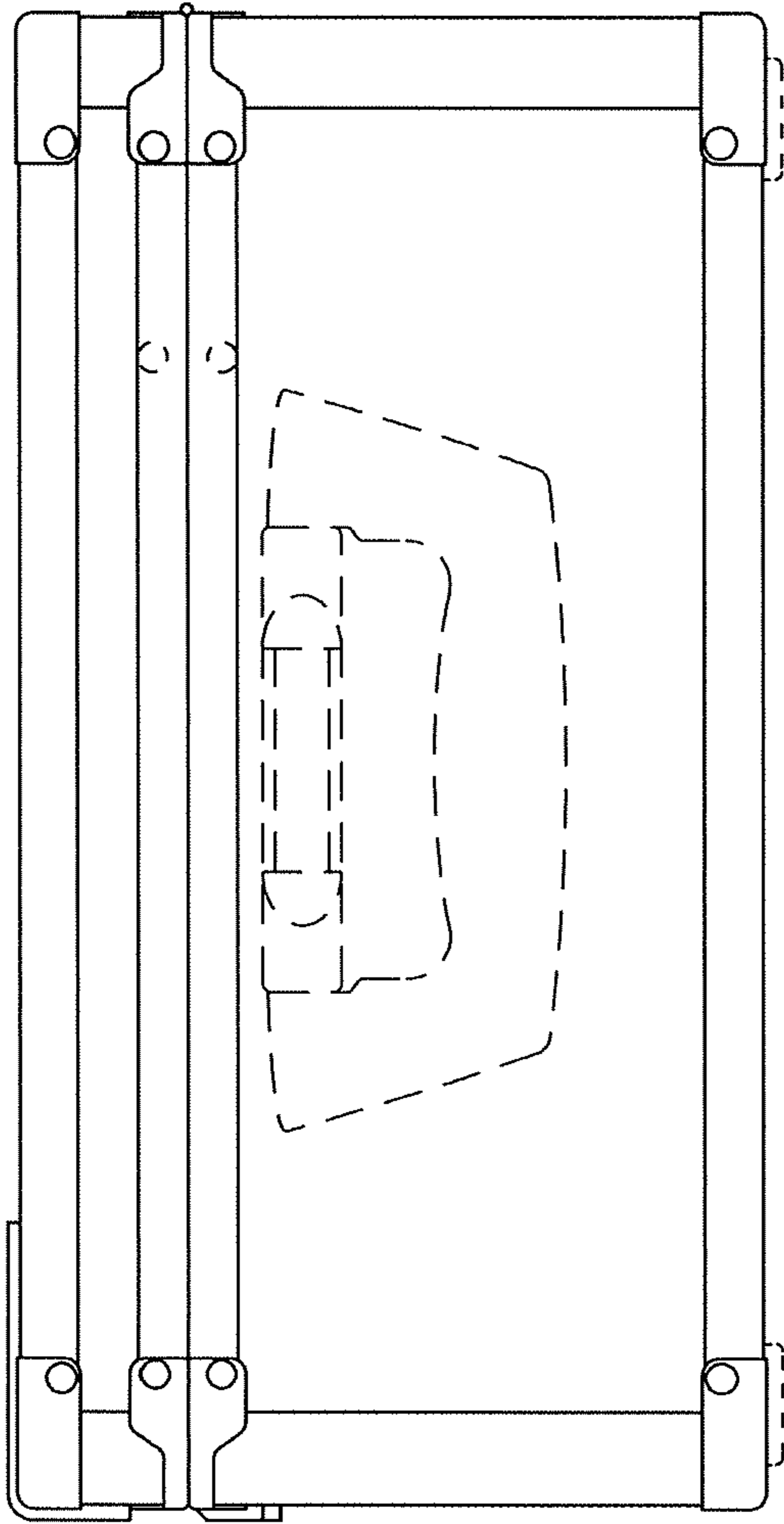


FIG. 4

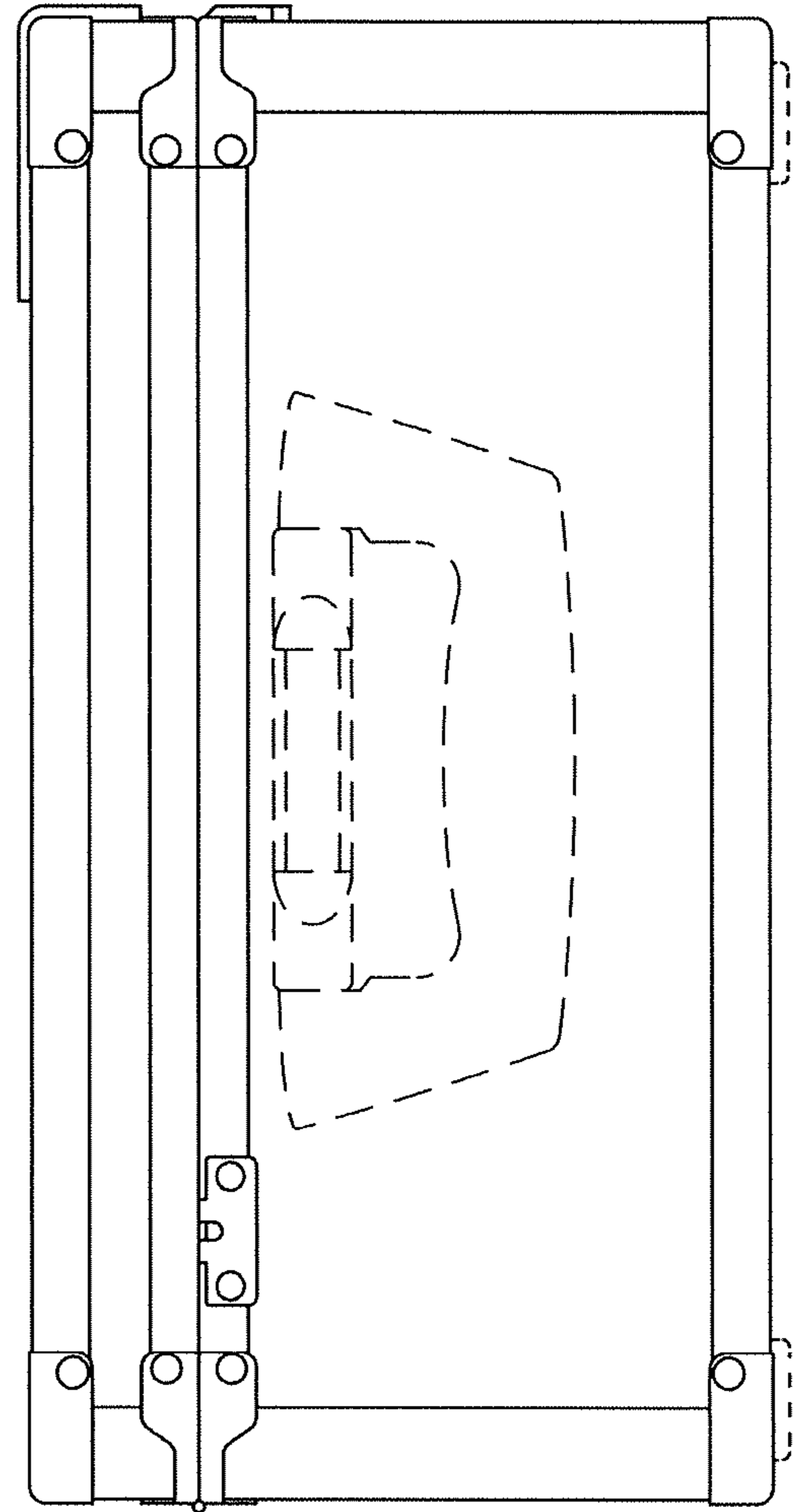


FIG. 5

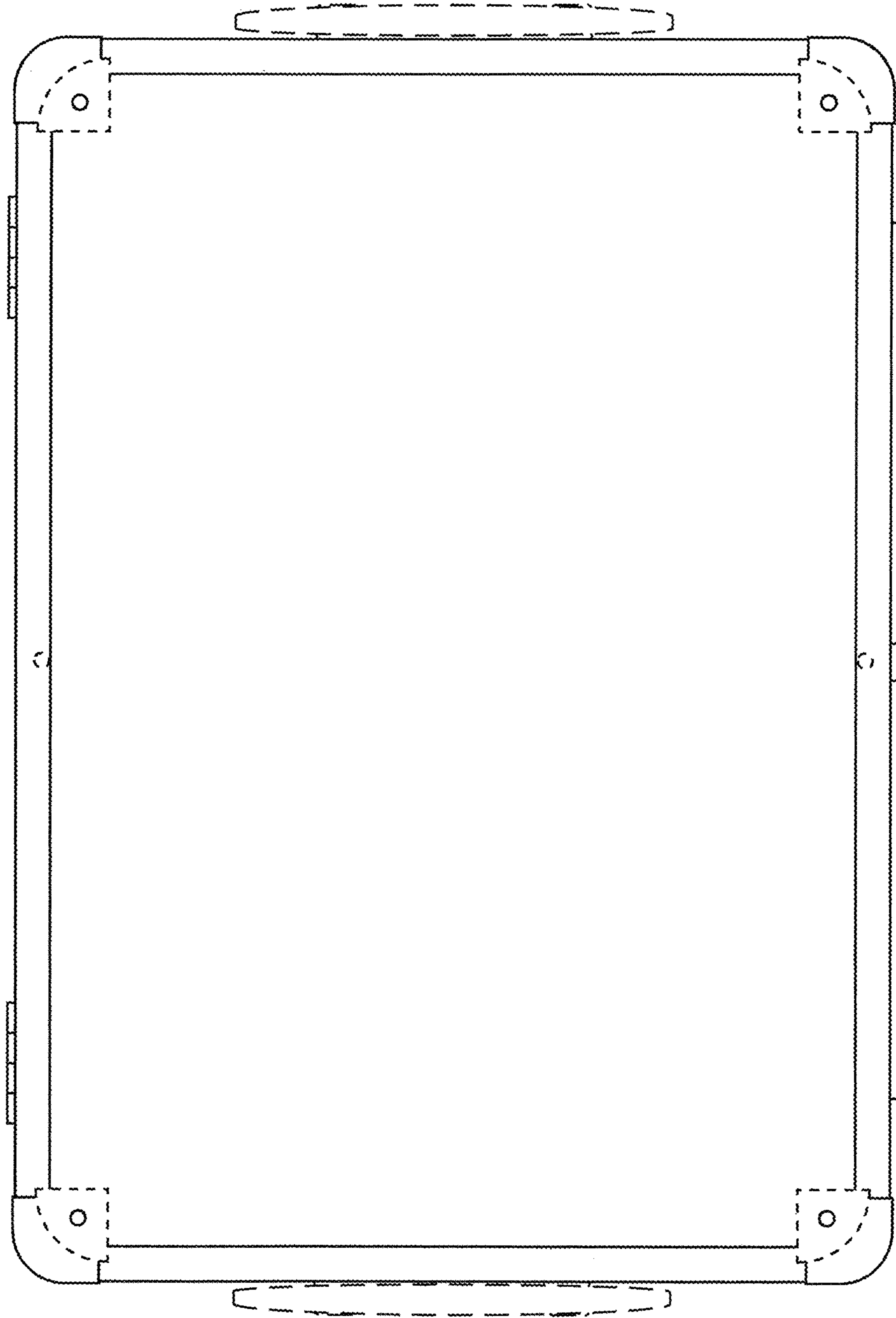


FIG. 6

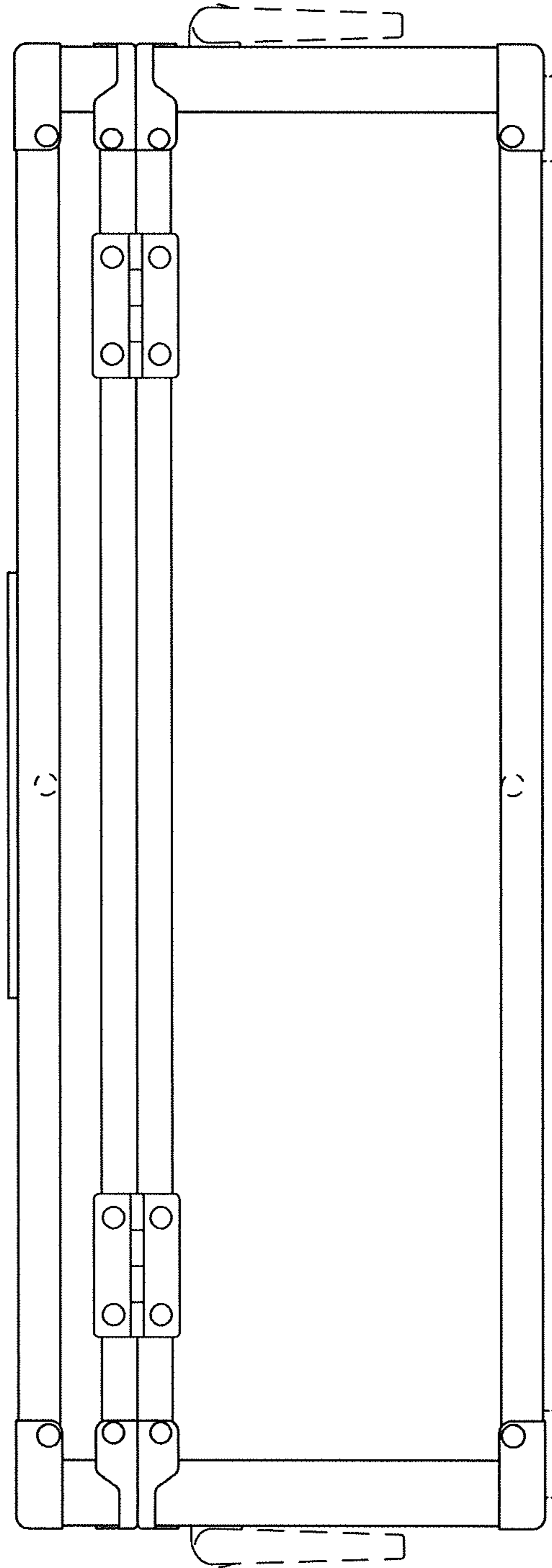


FIG. 7