



US00D874137S

(12) **United States Design Patent** (10) **Patent No.:** **US D874,137 S**
Feng (45) **Date of Patent:** **** Feb. 4, 2020**

(54) **MOBILE PHONE PROTECTIVE CASE**

(71) Applicant: **GUANGZHOU WENYI COMMUNICATION EQUIPMENT CO., LTD.**, Guangzhou (Guangdong Province) (CN)

(72) Inventor: **Youru Feng**, Guangzhou (CN)

(73) Assignee: **GUANGZHOU WENYI COMMUNICATION EQUIPMENT CO., LTD.**, Guangzhou (CN)

(**) Term: **15 Years**

(21) Appl. No.: **29/619,035**

(22) Filed: **Sep. 26, 2017**

(51) **LOC (12) Cl.** **03-01**

(52) **U.S. Cl.**
USPC **D3/249**

(58) **Field of Classification Search**
USPC D3/247-249, 201, 218, 207-208,
D3/211-212, 232-233, 239, 242,
(Continued)

(56) **References Cited**

U.S. PATENT DOCUMENTS

D738,620 S * 9/2015 Schmole D3/249
D767,888 S * 10/2016 Kim D3/249
(Continued)

Primary Examiner — Catherine R Oliver-Garcia

(74) *Attorney, Agent, or Firm* — Yong Chen

(57) **CLAIM**

The ornamental design for a mobile phone protective case, as shown and described.

DESCRIPTION

FIG. 1 is a front view of a mobile phone protective case of the present invention when the case is in a closed configuration.

FIG. 2 is a rear view of the mobile phone protective case shown in FIG. 1.

FIG. 3 is a left view of the mobile phone protective case shown in FIG. 1.

FIG. 4 is a right view of the mobile phone protective case shown in FIG. 1.

FIG. 5 is a top view of the mobile phone protective case shown in FIG. 1.

FIG. 6 is a bottom view of the mobile phone protective case shown in FIG. 1.

FIG. 7 is a view of the interior of the mobile phone protective case of the present invention when the case is in an open, fully expanded configuration.

FIG. 8 is another front view of the mobile phone protective case of the present invention when a flap of the front cover of the case is in an open configuration.

FIG. 9 is a perspective view of the mobile phone protective case of the present invention when the case is in a deployed, self-standing configuration for supporting a mobile phone to be viewed at a tilted angle.

FIG. 10 is another perspective view of the mobile phone protective case of the present invention as shown in FIG. 9.

FIG. 11 is a front view of the mobile phone protective case as shown in FIG. 9.

FIG. 12 is a rear view of the mobile phone protective case as shown in FIG. 9.

FIG. 13 is a left view of the mobile phone protective case as shown in FIG. 9.

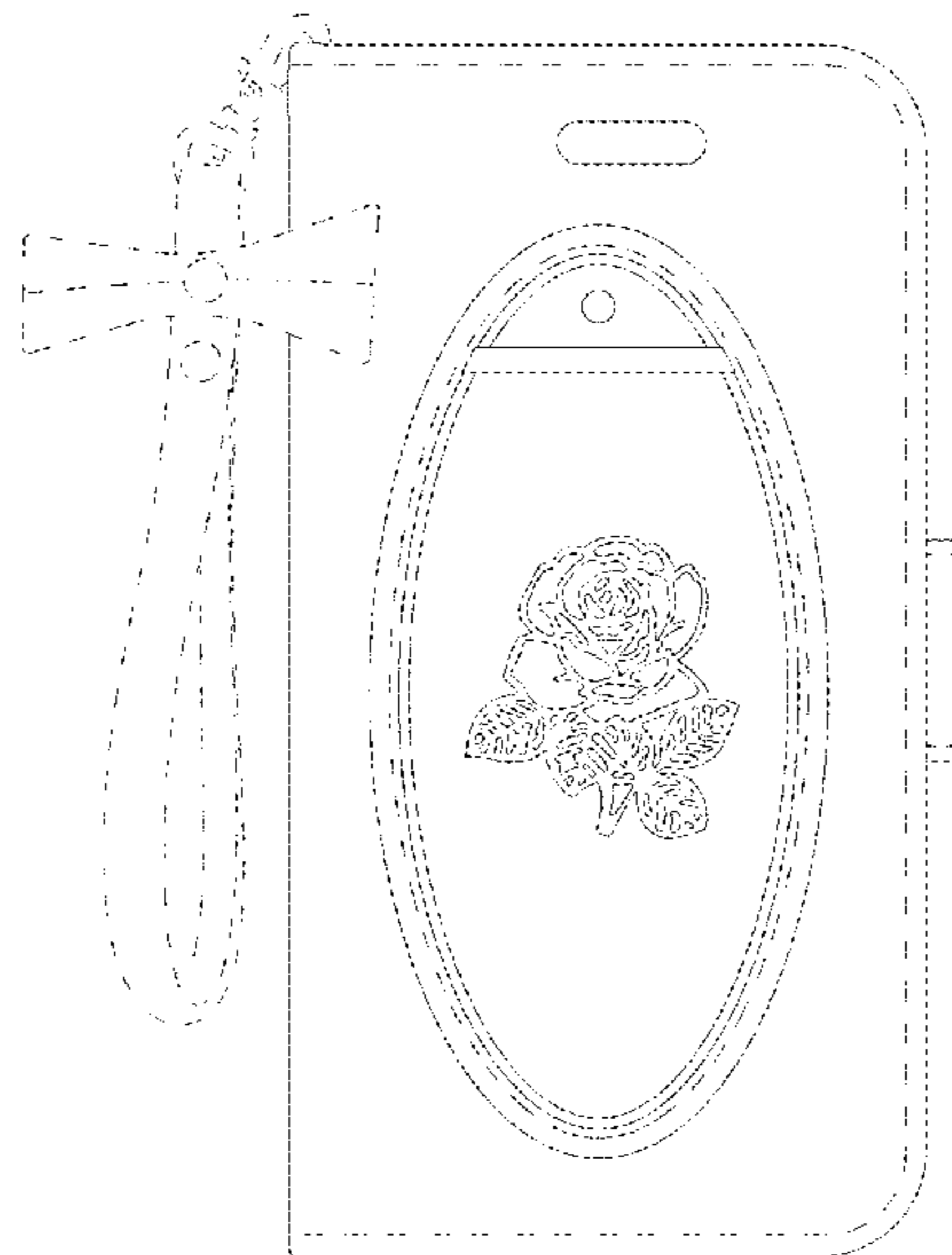
FIG. 14 is a right view of the mobile phone protective case as shown in FIG. 9.

FIG. 15 is a top view of the mobile phone protective case as shown in FIG. 9; and,

FIG. 16 is a bottom view of the mobile phone protective case as shown in FIG. 9.

The broken line showing of certain portions of the mobile phone protective case is included for the purpose of illustration only and forms no part of the claimed design.

1 Claim, 14 Drawing Sheets



(58) **Field of Classification Search**

USPC D3/245–246, 251–253, 276; D14/137,
D14/250

CPC A45C 1/06; A45C 2011/002; A45C 23/02;
A45F 2005/028; A45F 2200/0525; A45F
2200/0518; H04B 1/3888; H04M 1/0202;
H04M 1/0283

See application file for complete search history.

(56) **References Cited**

U.S. PATENT DOCUMENTS

D793,726 S * 8/2017 Zhang D3/249
D794,952 S * 8/2017 Feng D3/247
D803,558 S * 11/2017 Liu D3/247
D804,815 S * 12/2017 Chen D3/247
D806,378 S * 1/2018 Lerenthal D3/201
D814,185 S * 4/2018 Liu D3/249
D822,989 S * 7/2018 Persson D3/249
D842,289 S * 3/2019 Feng D14/250
D843,992 S * 3/2019 Lu D14/250
D844,596 S * 4/2019 Liu D14/250
2015/0014189 A1 * 1/2015 Stein A45C 11/00
206/37
2018/0352925 A1 * 12/2018 Hemesath A45C 11/00
2019/0013833 A1 * 1/2019 Horn H04B 1/3888

* cited by examiner

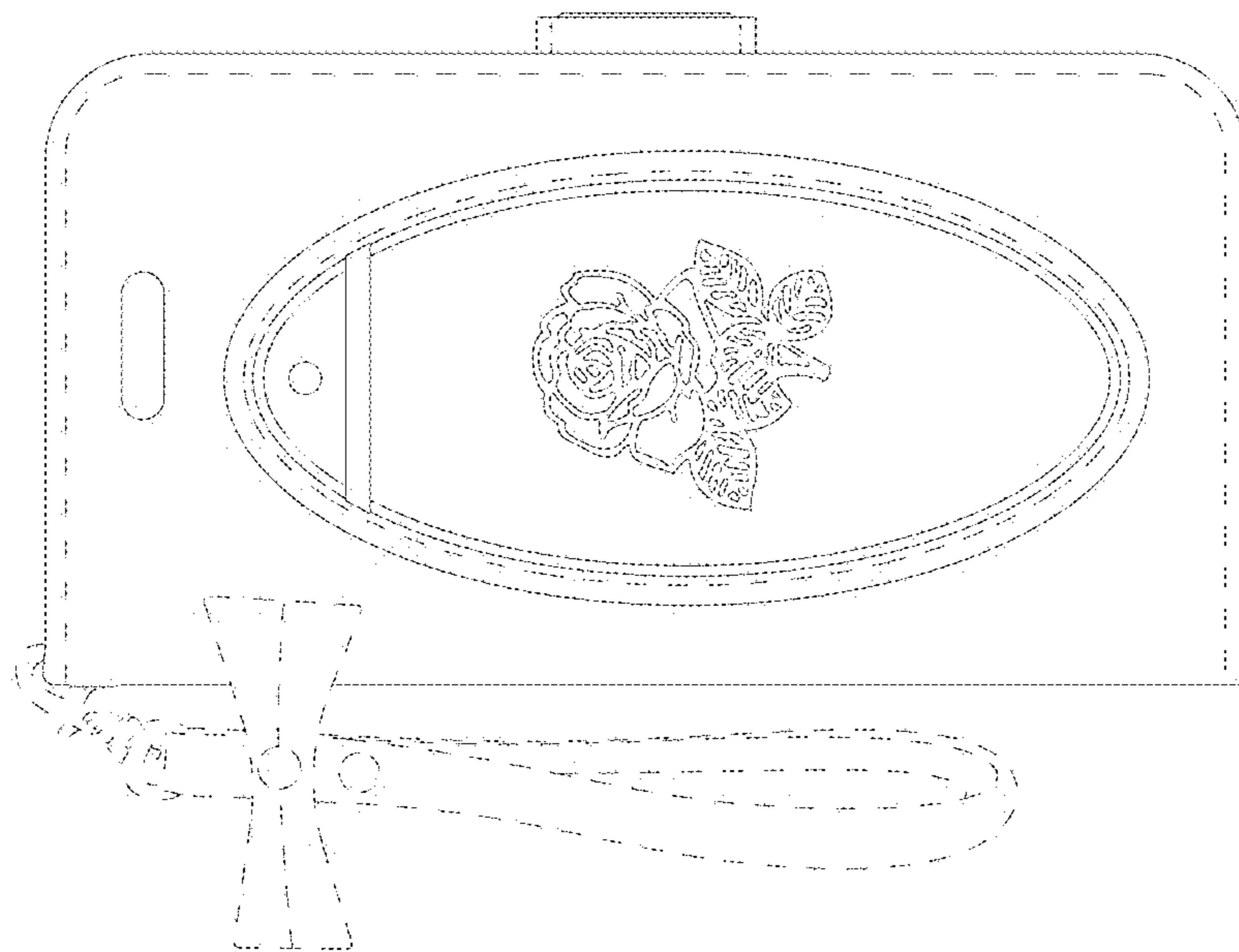


FIG. 1

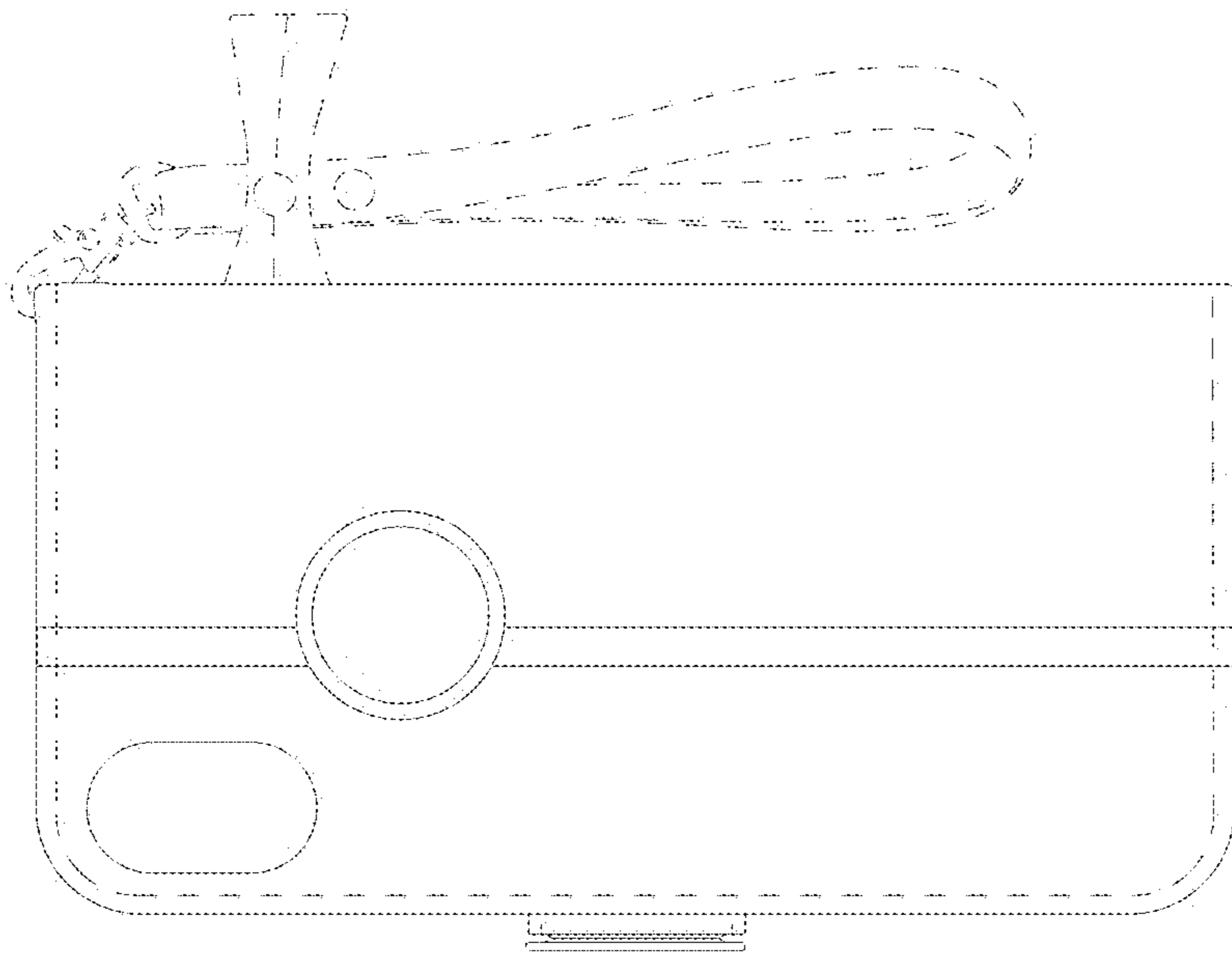


FIG. 2

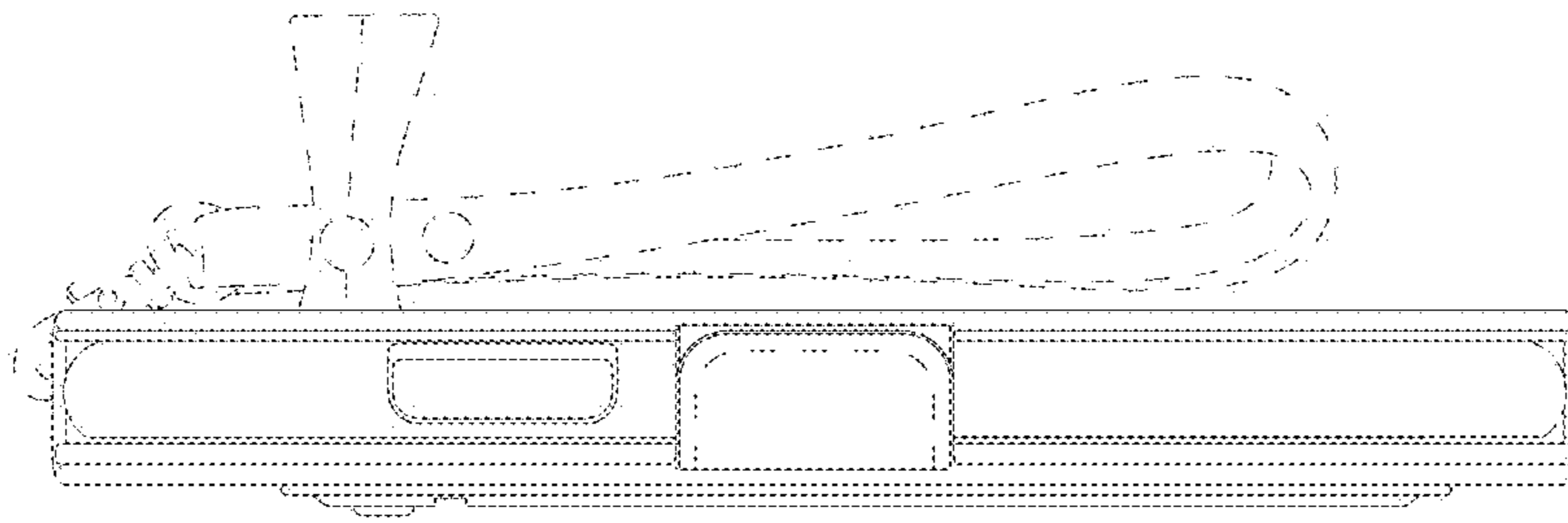


FIG. 4

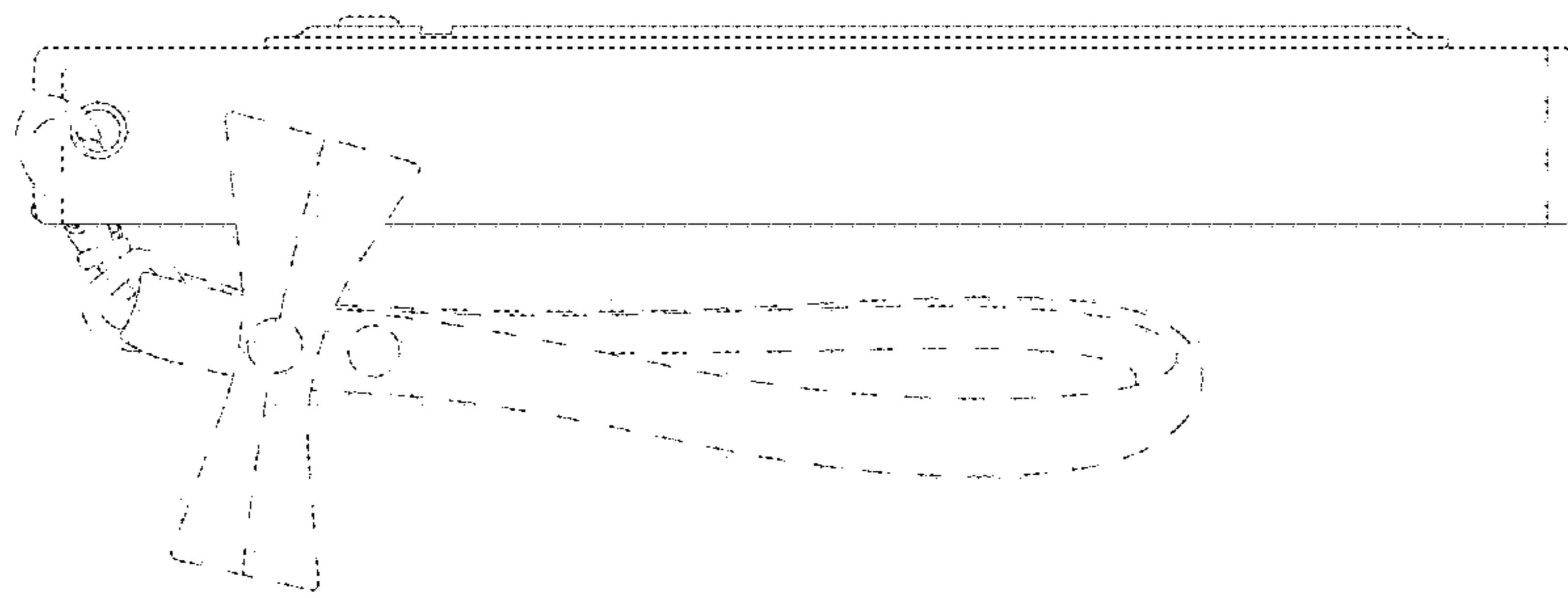


FIG. 3

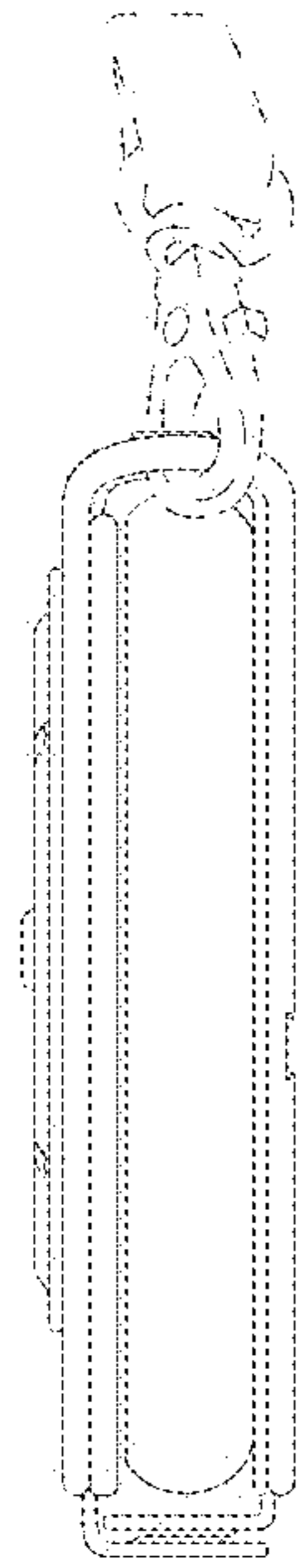


FIG. 5

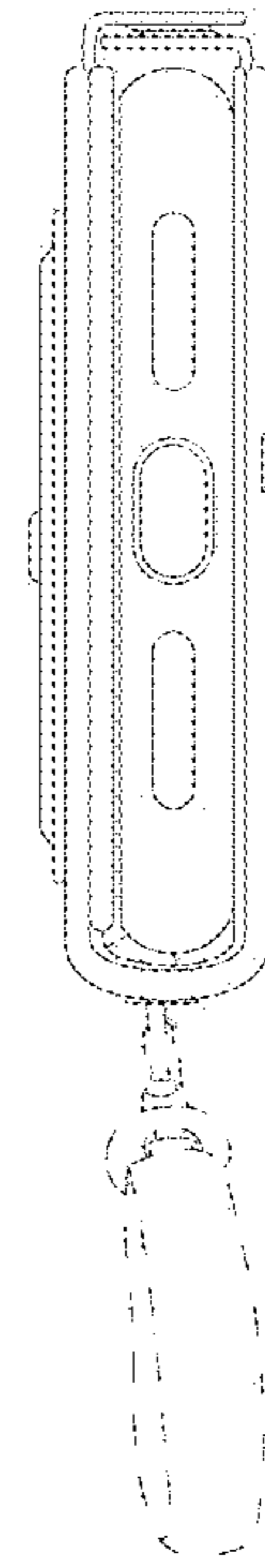


FIG. 6

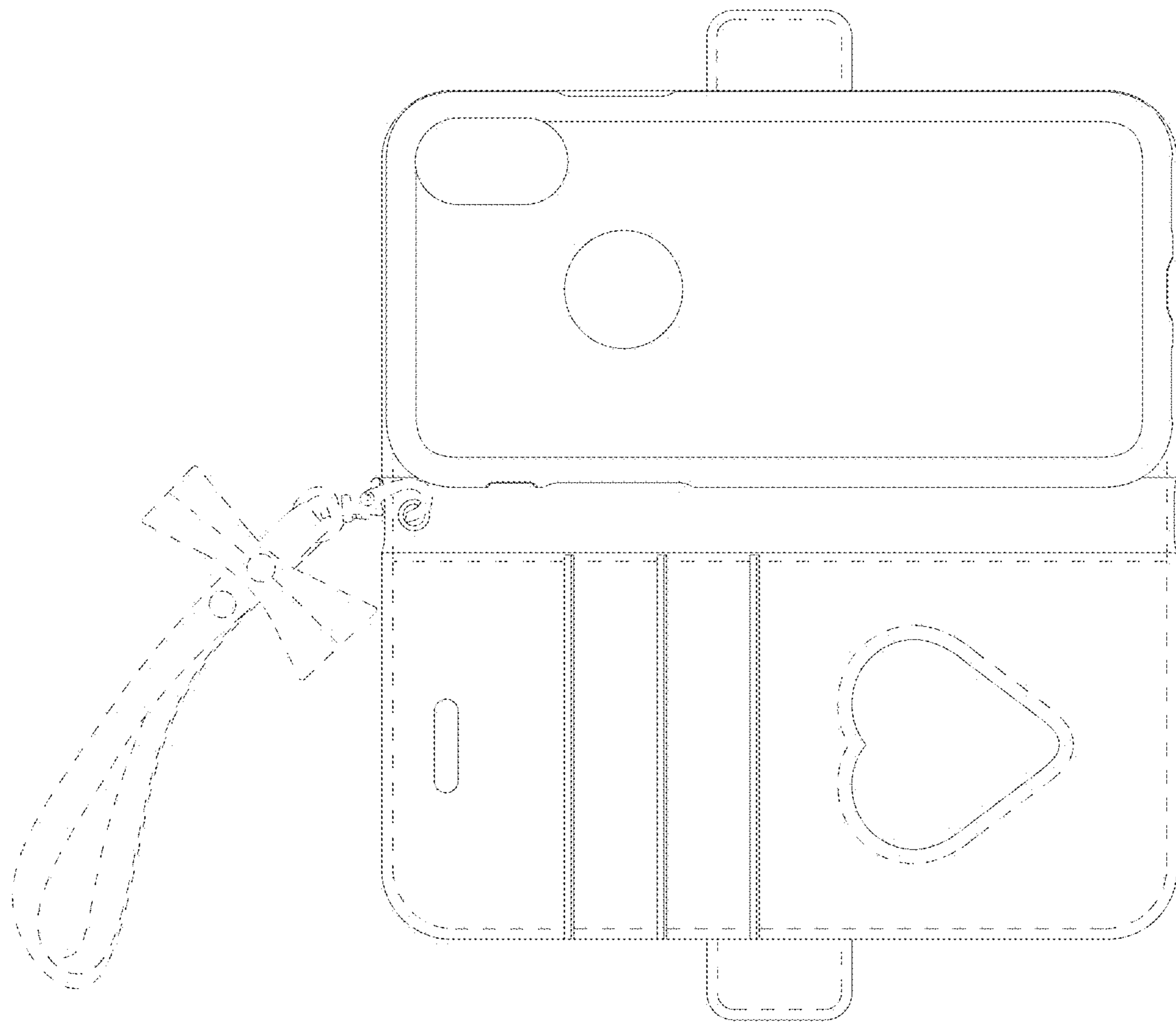


FIG. 7

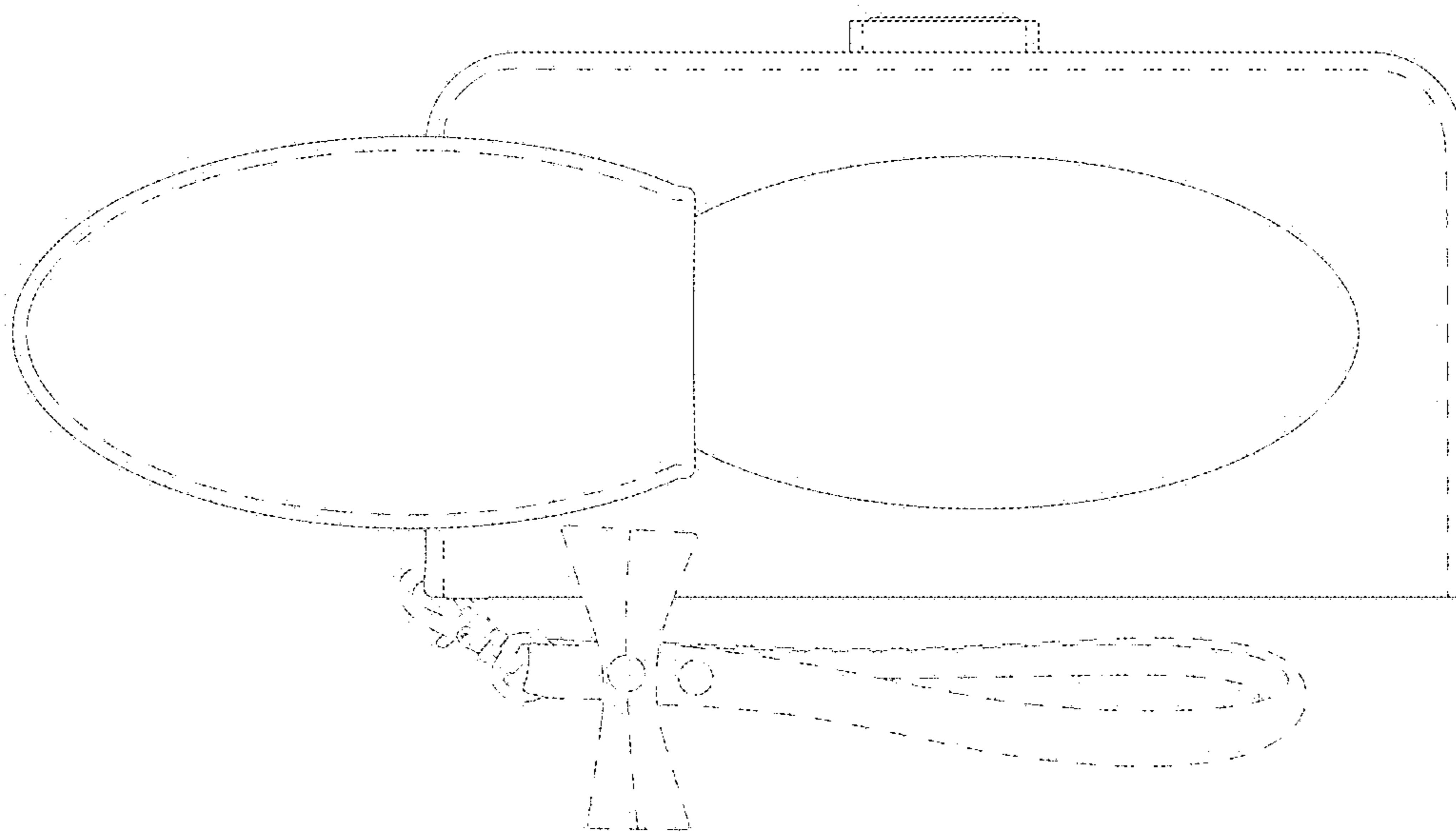


FIG. 8

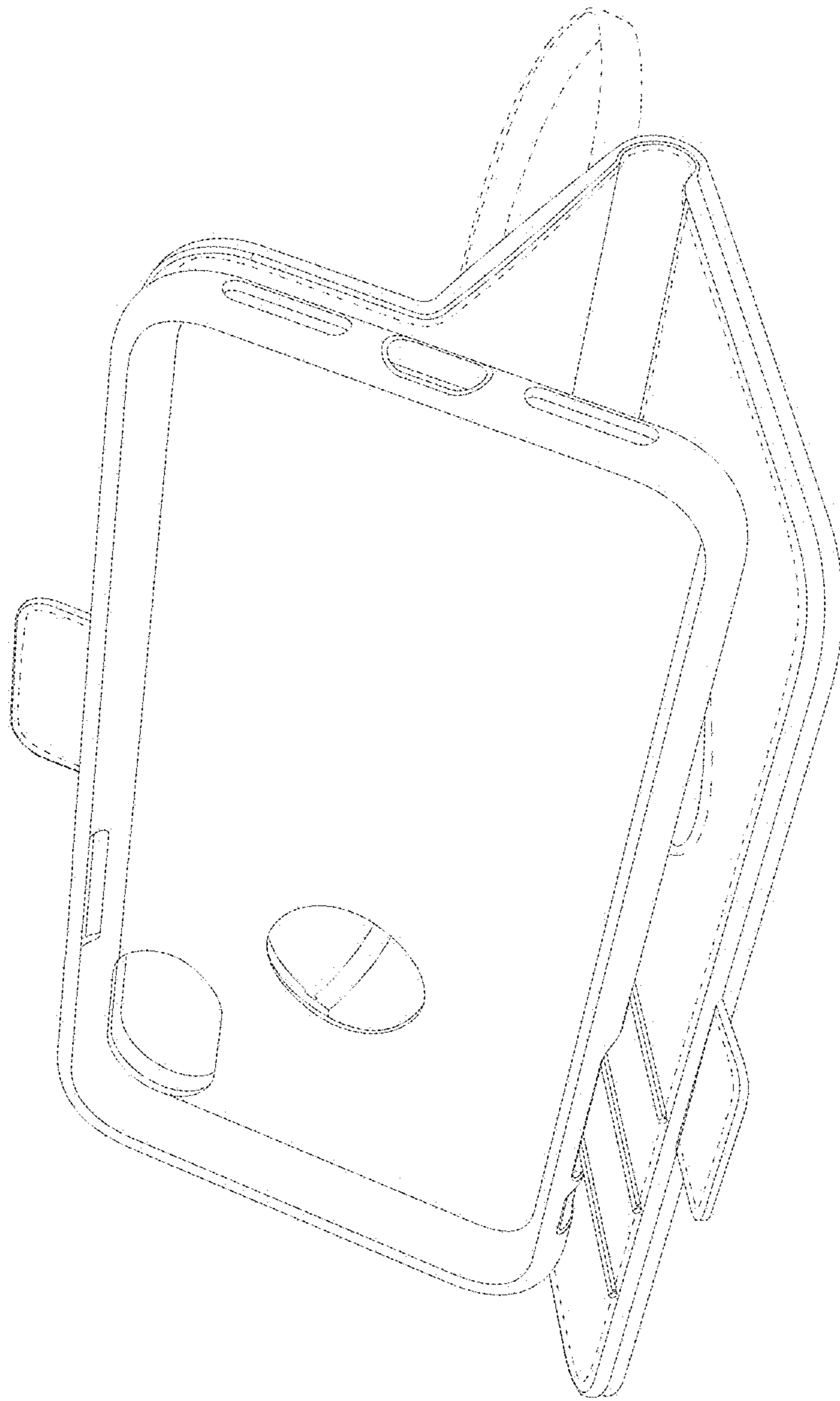


FIG. 9



FIG. 10

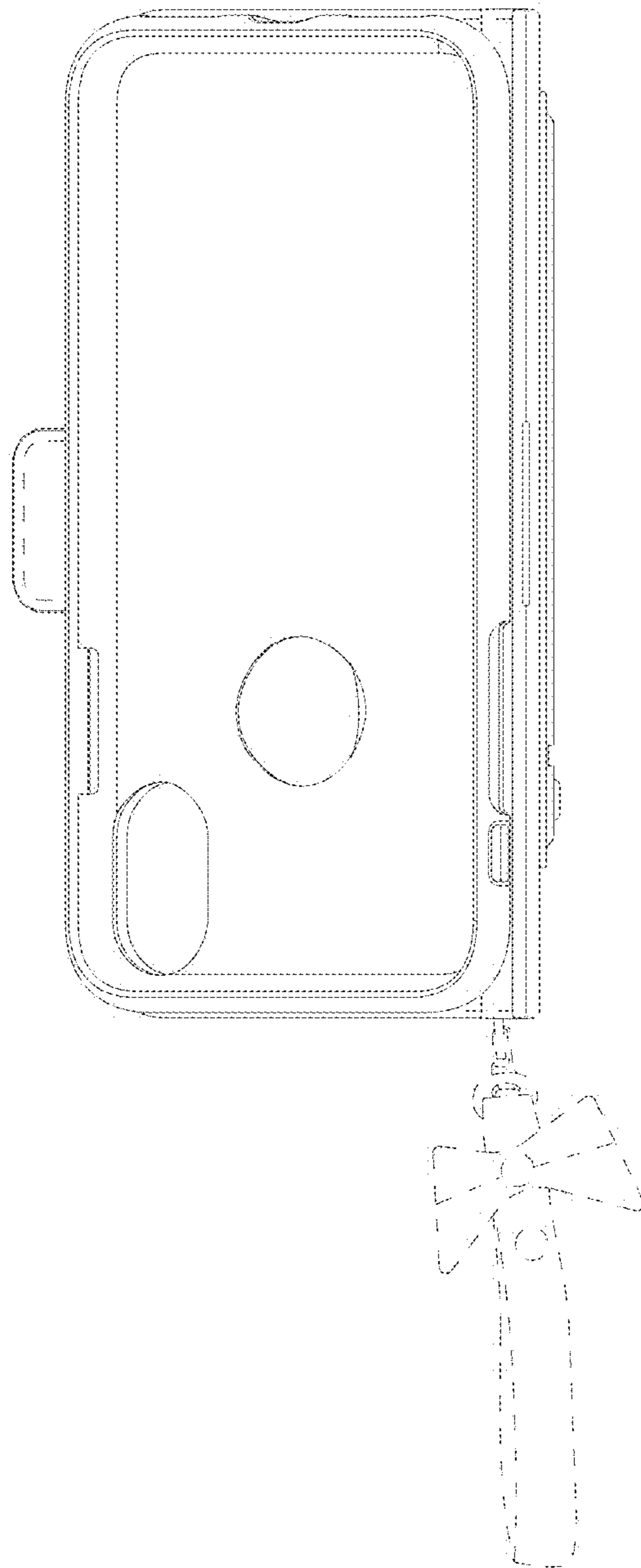


FIG. 11

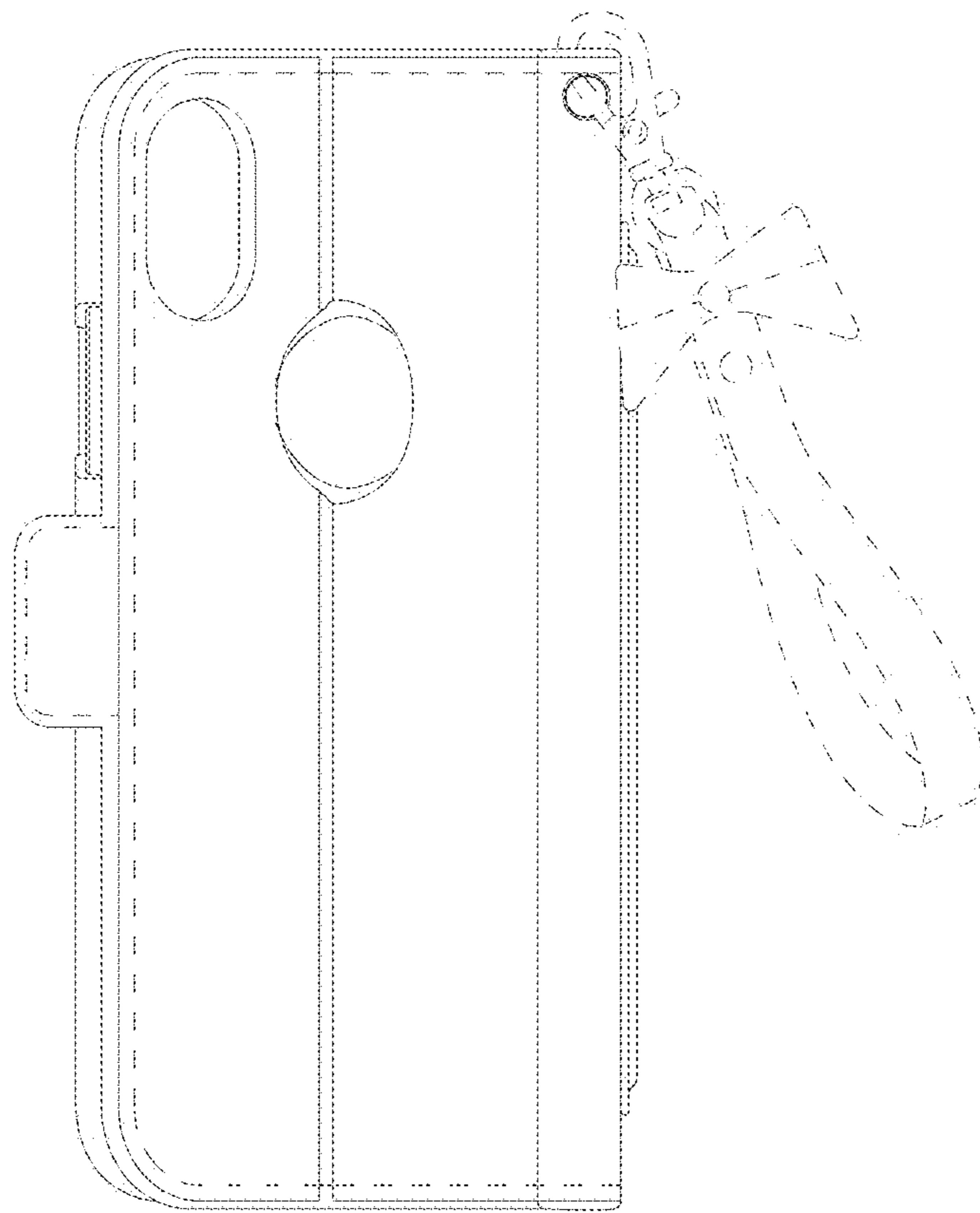


FIG. 12

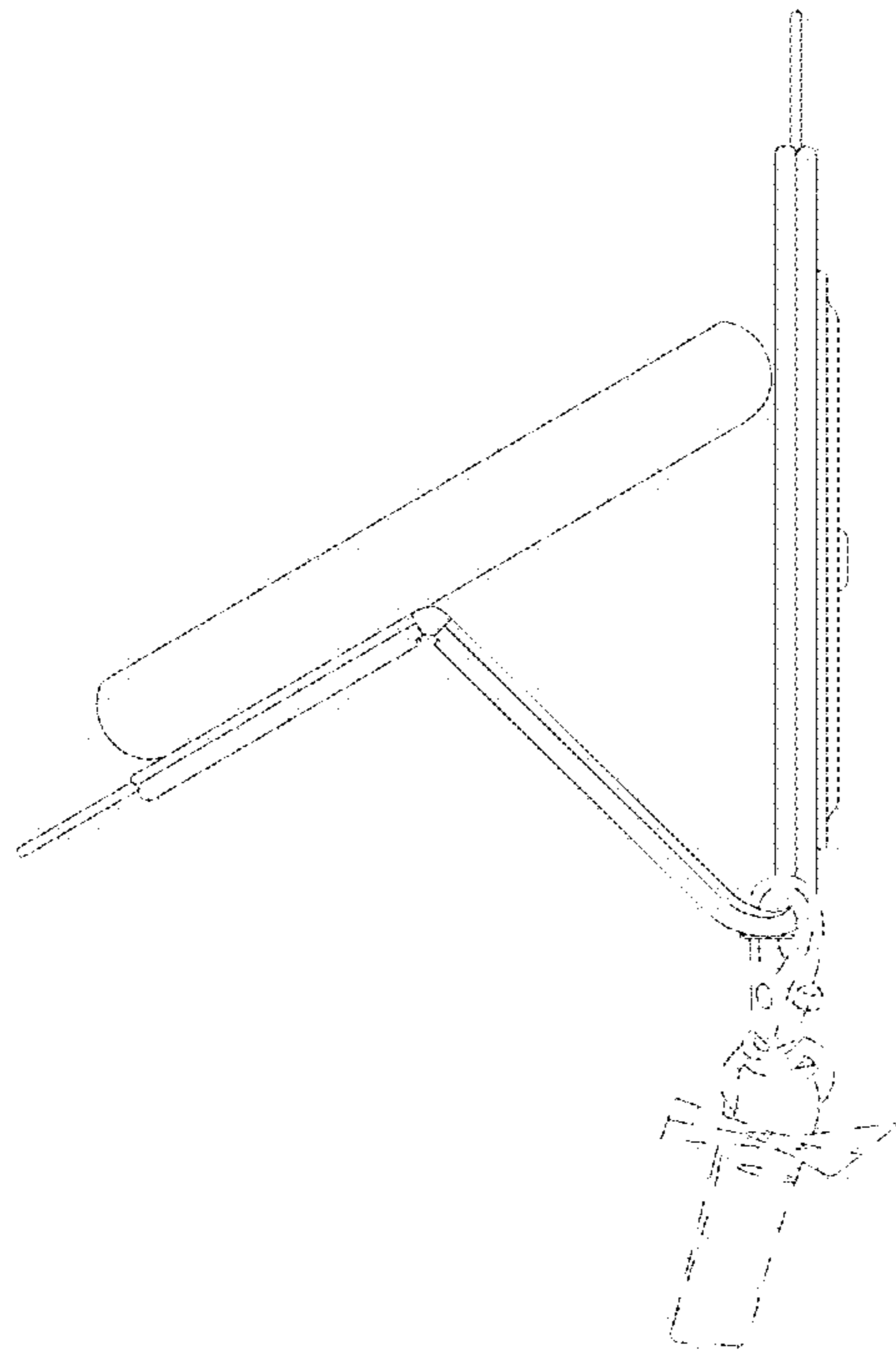


FIG. 13

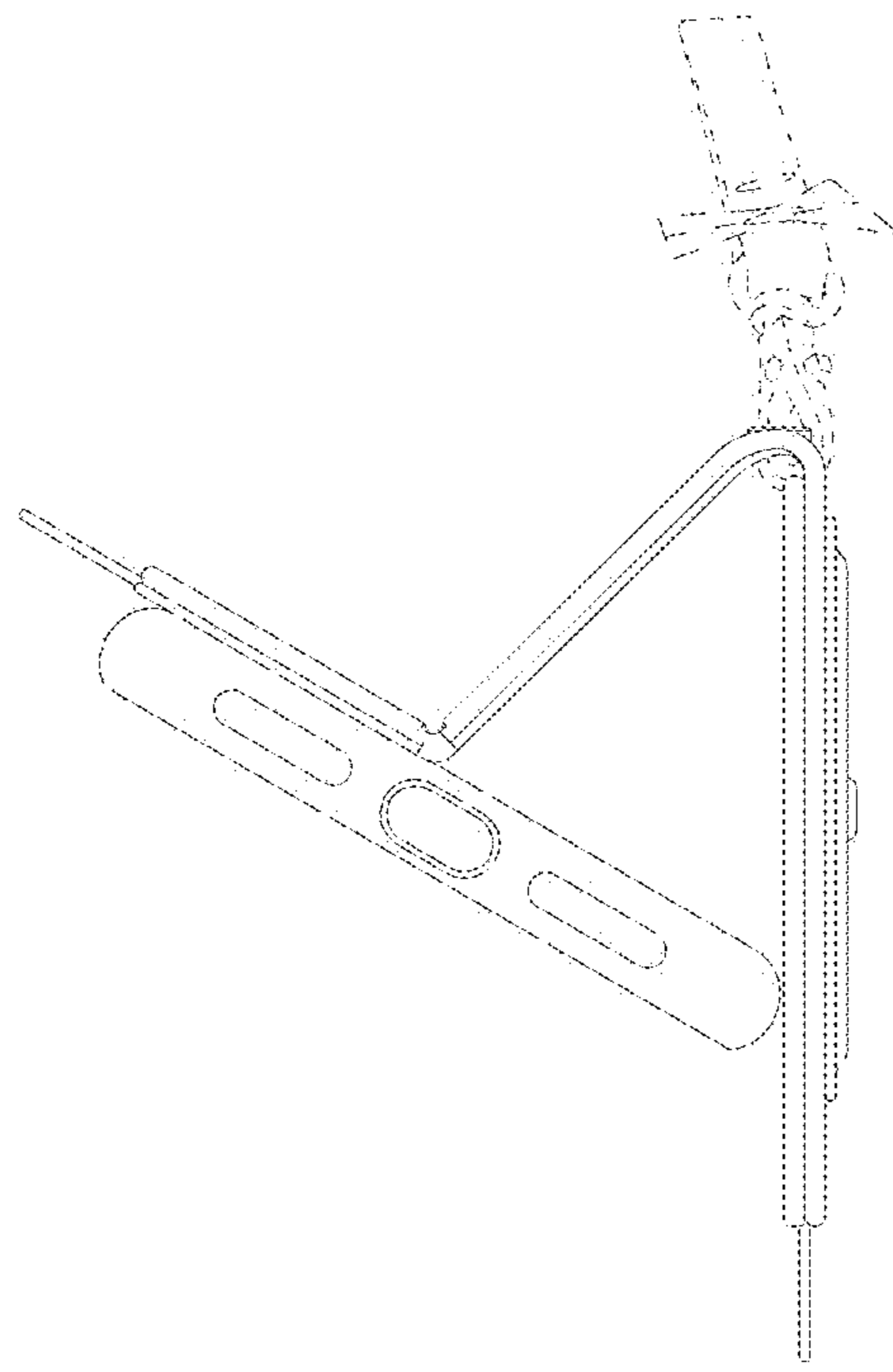


FIG. 14

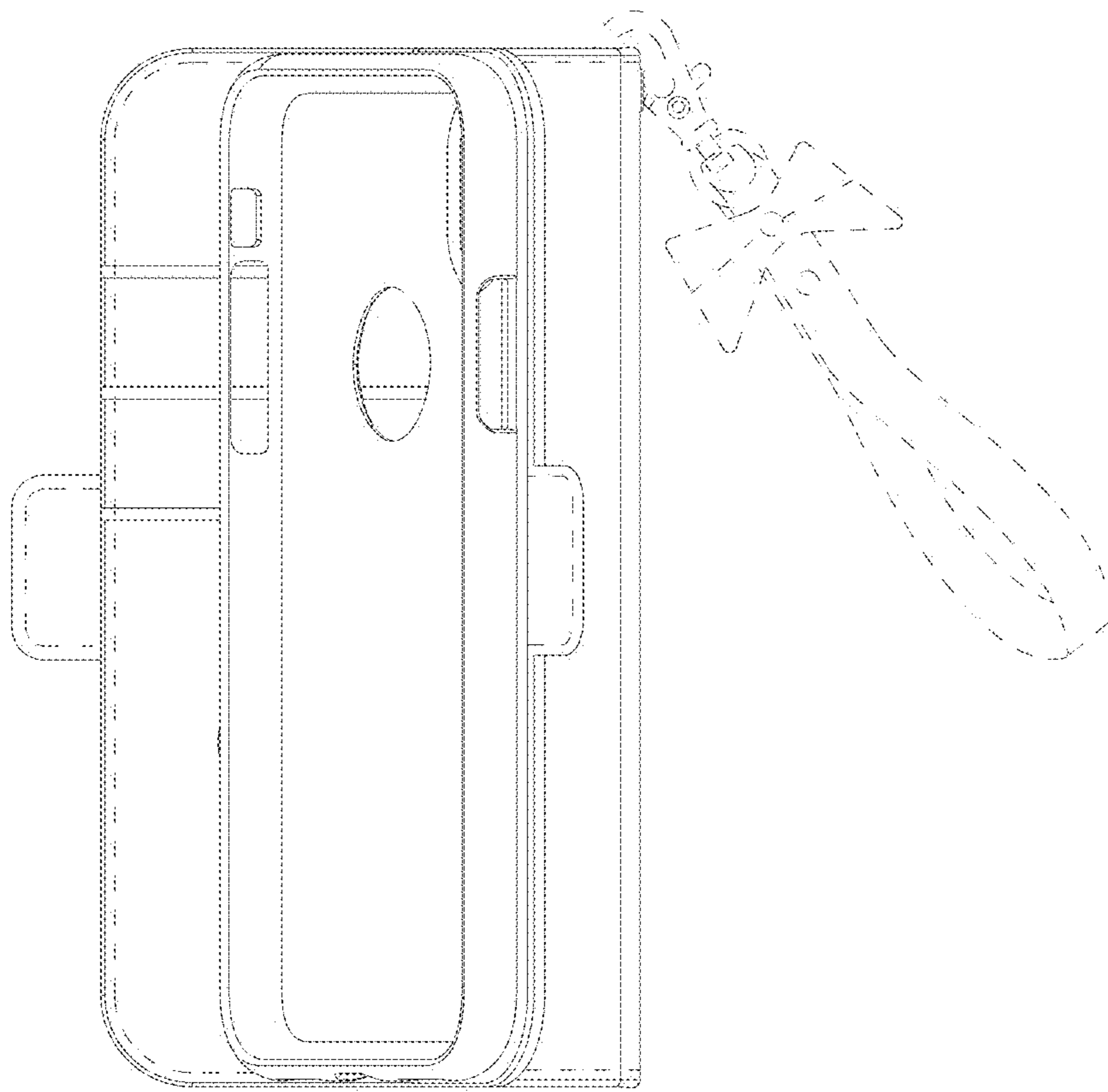


FIG. 15

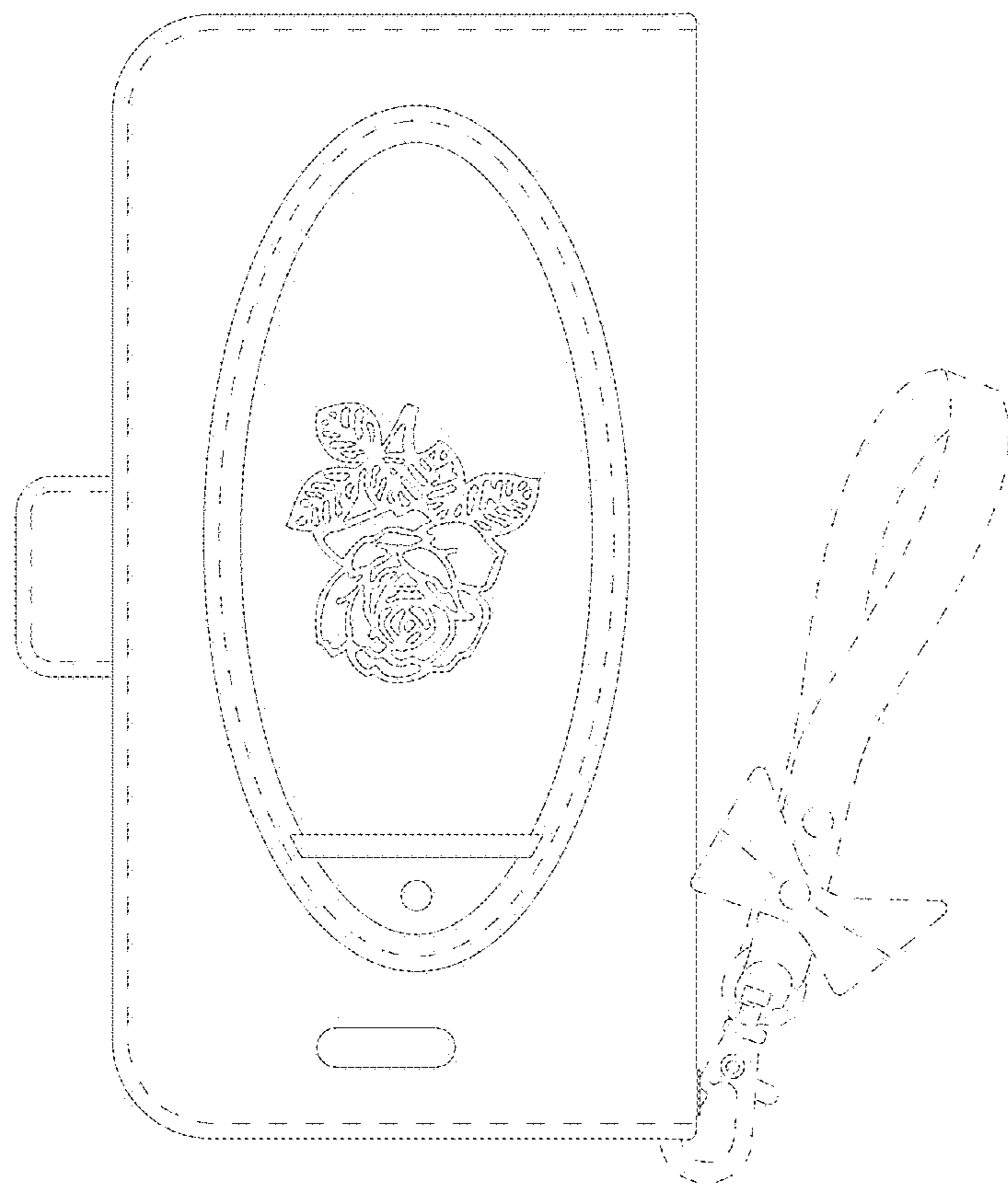


FIG. 16