



US00D874136S

(12) **United States Design Patent** (10) **Patent No.:** **US D874,136 S**
Feng (45) **Date of Patent:** **** Feb. 4, 2020**

(54) **MOBILE PHONE PROTECTIVE CASE**

(71) Applicant: **GUANGZHOU WENYI COMMUNICATION EQUIPMENT CO., LTD.**, Guangzhou (Guangdong Province) (CN)

(72) Inventor: **Youru Feng**, Guangzhou (CN)

(73) Assignee: **GUANGZHOU WENYI COMMUNICATION EQUIPMENT CO., LTD.**, Guangzhou (CN)

(**) Term: **15 Years**

(21) Appl. No.: **29/619,034**

(22) Filed: **Sep. 26, 2017**

(51) **LOC (12) Cl.** **03-01**

(52) **U.S. Cl.**
USPC **D3/249**

(58) **Field of Classification Search**
USPC D3/249, 218, 207–208, 211–212, D3/232–233, 239, 242, 245–246, D3/251–253, 276; D14/250, 137
CPC A45C 1/106; A45C 11/00; A45C 23/02; A45C 2011/002; A45F 2005/028; A45F
(Continued)

(56) **References Cited**

U.S. PATENT DOCUMENTS

D738,620 S * 9/2015 Schmole D3/249
D767,888 S * 10/2016 Kim D3/249
D793,726 S * 8/2017 Zhang D3/249
(Continued)

Primary Examiner — Catherine R Oliver-Garcia

(74) *Attorney, Agent, or Firm* — Yong Chen

(57) **CLAIM**

The ornamental design for a mobile phone protective case, as shown and described.

DESCRIPTION

FIG. 1 is a front view of a mobile phone protective case of the present invention when the case is in a closed configuration.

FIG. 2 is a rear view of the mobile phone protective case shown in FIG. 1.

FIG. 3 is a left view of the mobile phone protective case shown in FIG. 1.

FIG. 4 is a right view of the mobile phone protective case shown in FIG. 1.

FIG. 5 is a top view of the mobile phone protective case shown in FIG. 1.

FIG. 6 is a bottom view of the mobile phone protective case shown in FIG. 1.

FIG. 7 is a view of the interior of the mobile phone protective case of the present invention when the case is in an open, fully expanded configuration.

FIG. 8 is a perspective view of the mobile phone protective case of the present invention when the case is in a deployed, self-standing configuration for supporting a mobile phone to be viewed at a tilted angle.

FIG. 9 is another perspective view of the mobile phone protective case of the present invention as shown in FIG. 8.

FIG. 10 is a front view of the mobile phone protective case as shown in FIG. 8.

FIG. 11 is a rear view of the mobile phone protective case as shown in FIG. 8.

FIG. 12 is a left view of the mobile phone protective case as shown in FIG. 8.

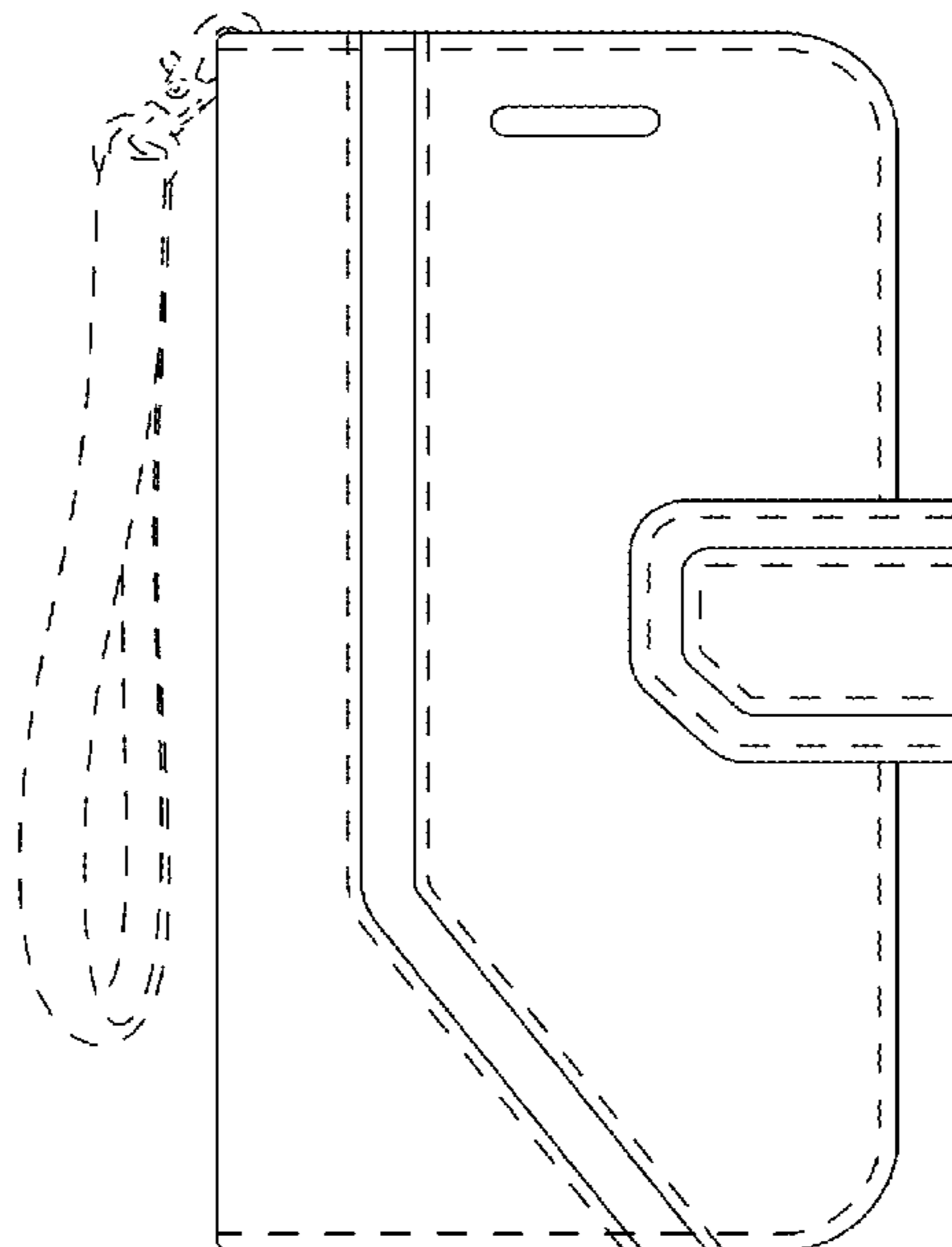
FIG. 13 is a right view of the mobile phone protective case as shown in FIG. 8.

FIG. 14 is a top view of the mobile phone protective case as shown in FIG. 8; and,

FIG. 15 is a bottom view of the mobile phone protective case as shown in FIG. 8.

The broken line showing of certain portions of the mobile phone protective case is included for the purpose of illustration only and forms no part of the claimed design.

1 Claim, 13 Drawing Sheets



(58) **Field of Classification Search**

CPC .. 2200/0525; A45F 2200/0518; H04B 1/3888;
H04M 1/0283; H04M 1/0202

See application file for complete search history.

(56) **References Cited**

U.S. PATENT DOCUMENTS

D794,952	S *	8/2017	Feng	D3/247
D803,558	S *	11/2017	Liu	D3/247
D806,378	S *	1/2018	Lerenthal	D3/201
D814,185	S *	4/2018	Liu	D3/249
D822,989	S *	7/2018	Persson	D3/249
D842,289	S *	3/2019	Feng	D14/250
D843,992	S *	3/2019	Lu	D14/250
D844,596	S *	4/2019	Liu	D14/250
2015/0014189	A1 *	1/2015	Stein	A45C 11/00 206/37
2018/0352925	A1 *	12/2018	Hemesath	A45C 11/00
2019/0013833	A1 *	1/2019	Horn	H04B 1/3888

* cited by examiner

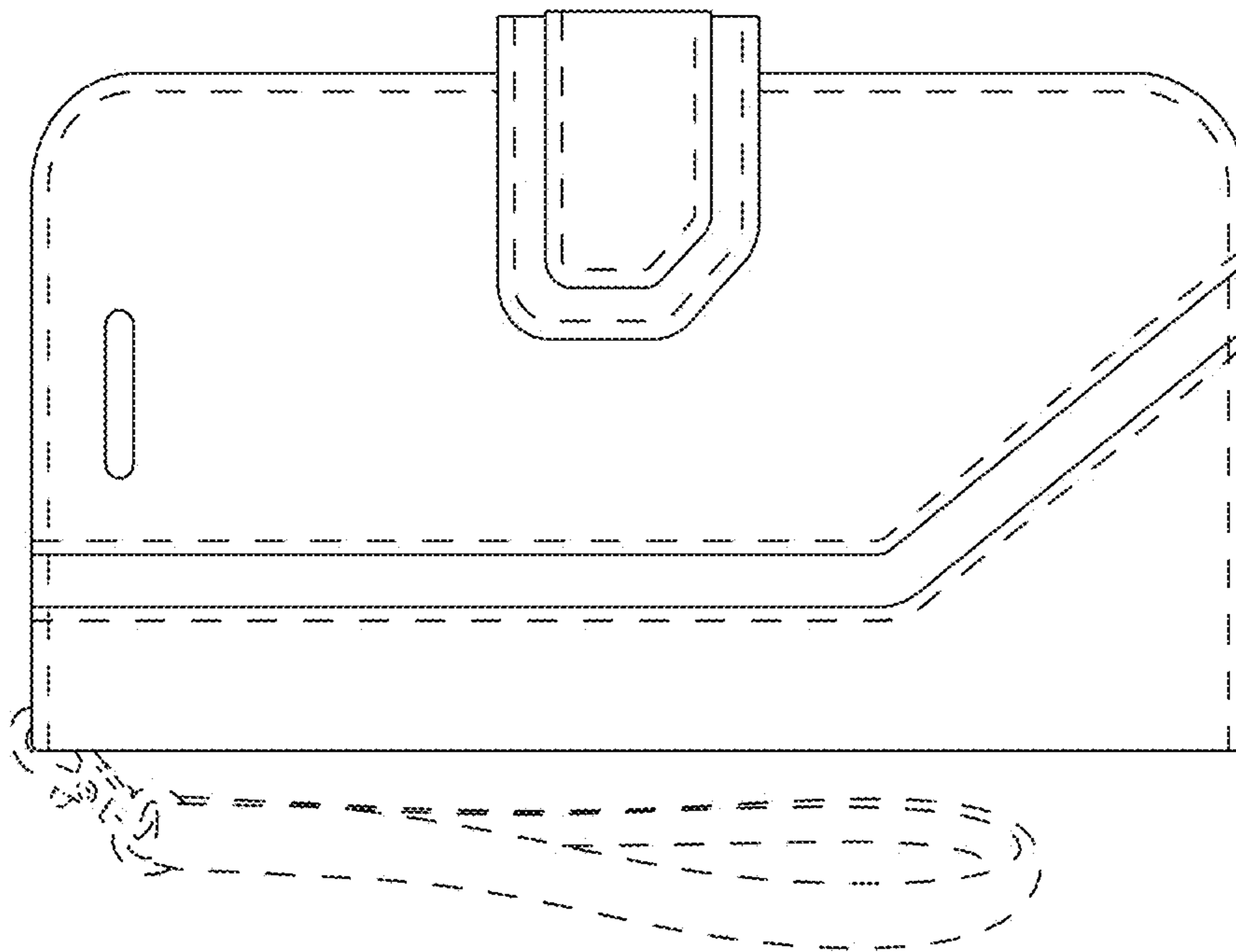


FIG. 1

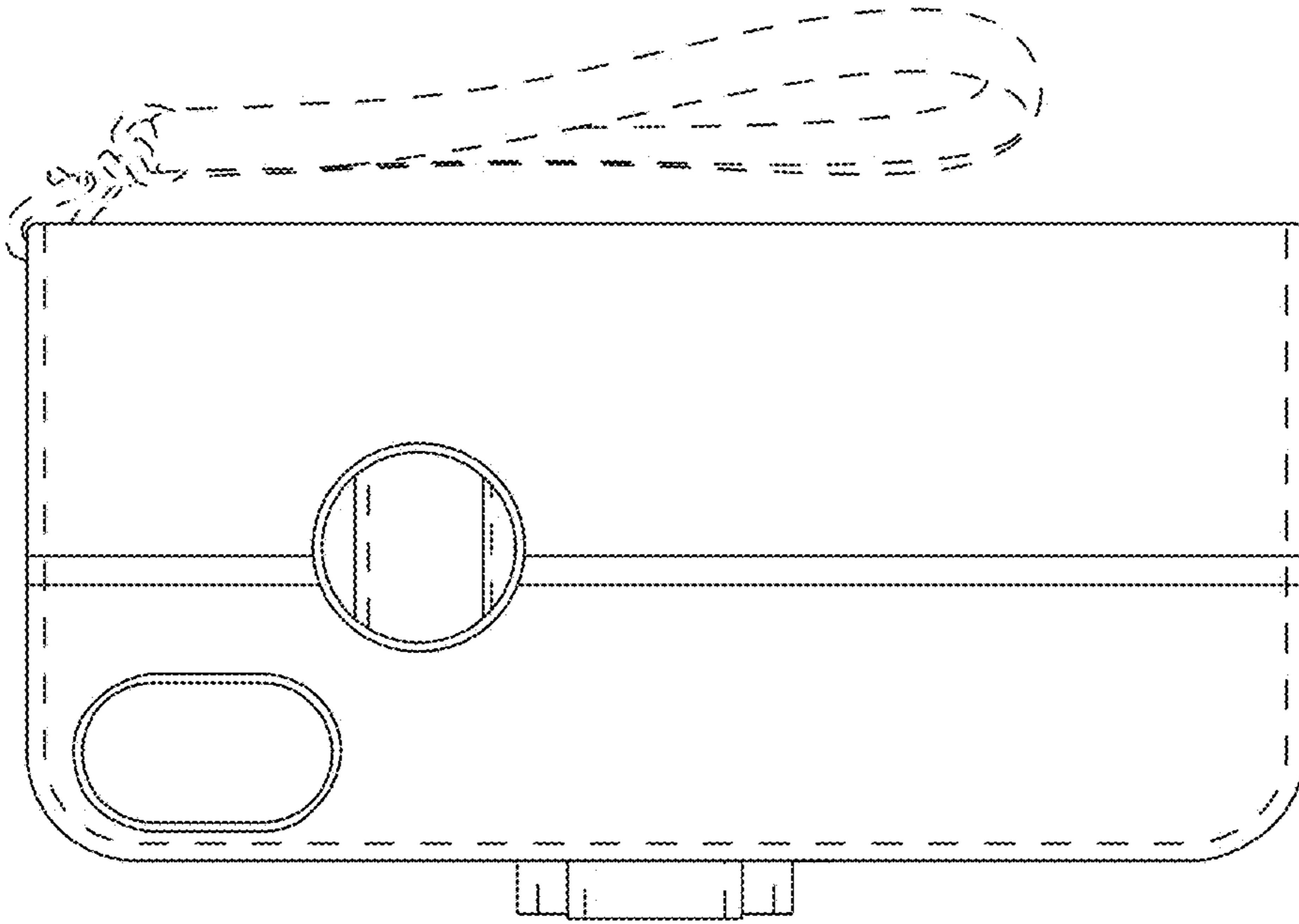


FIG. 2

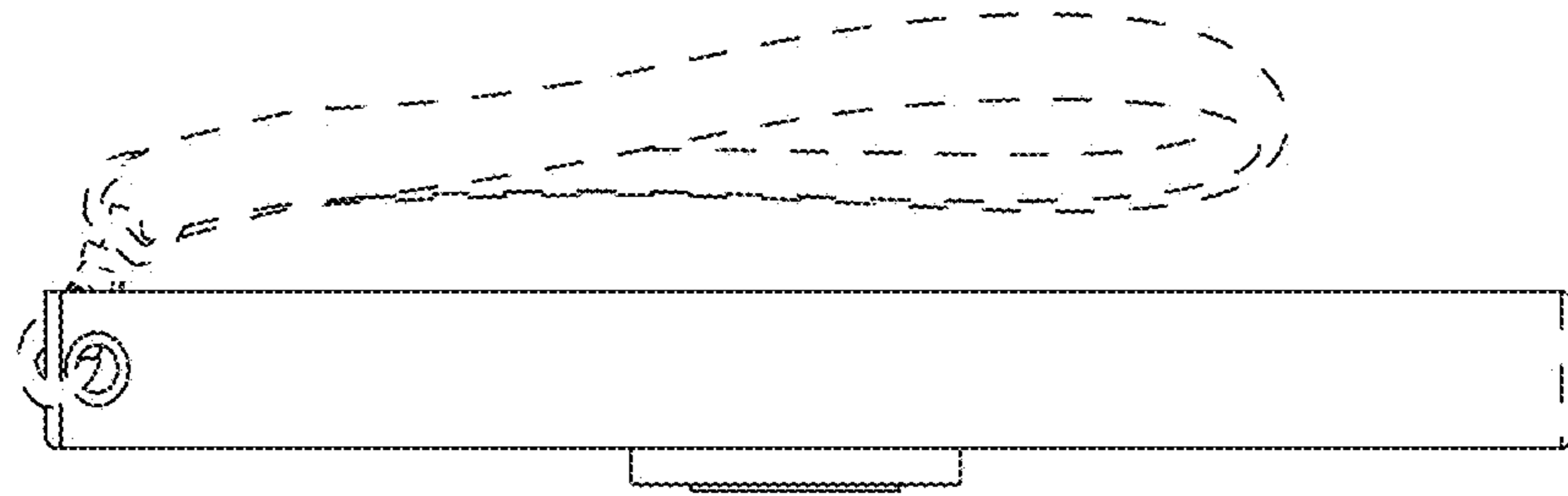


FIG. 4

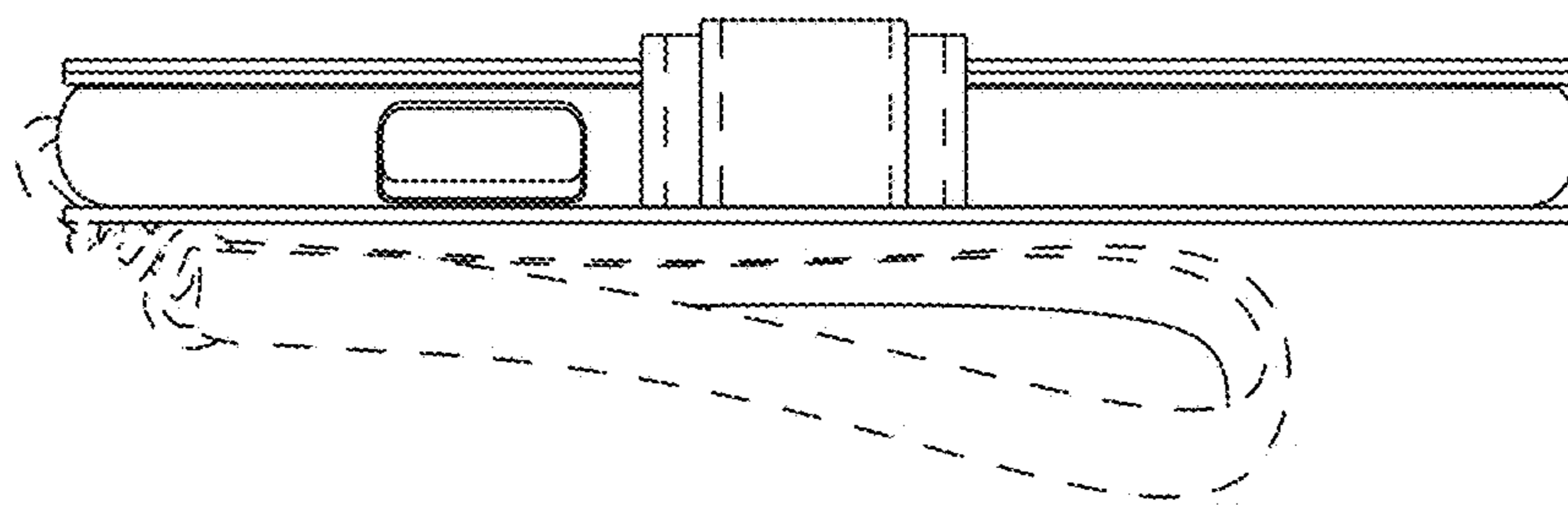


FIG. 3

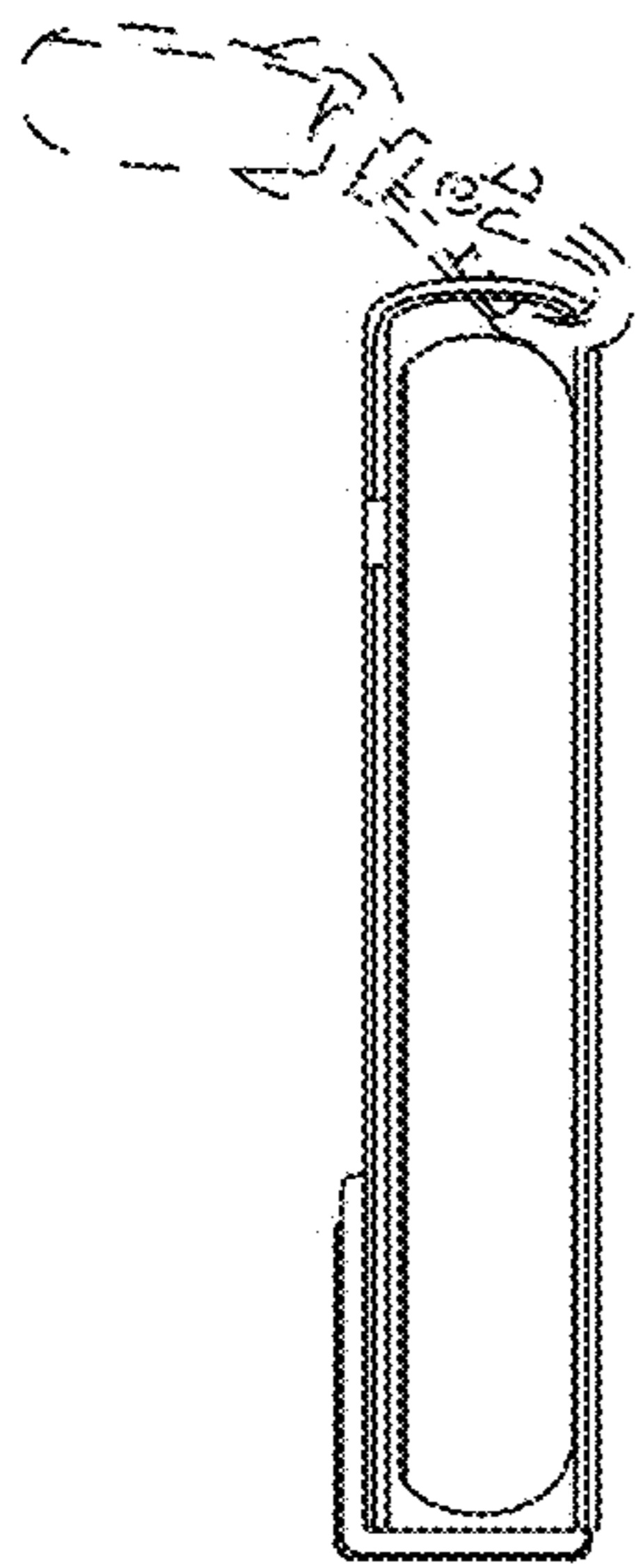


FIG. 5

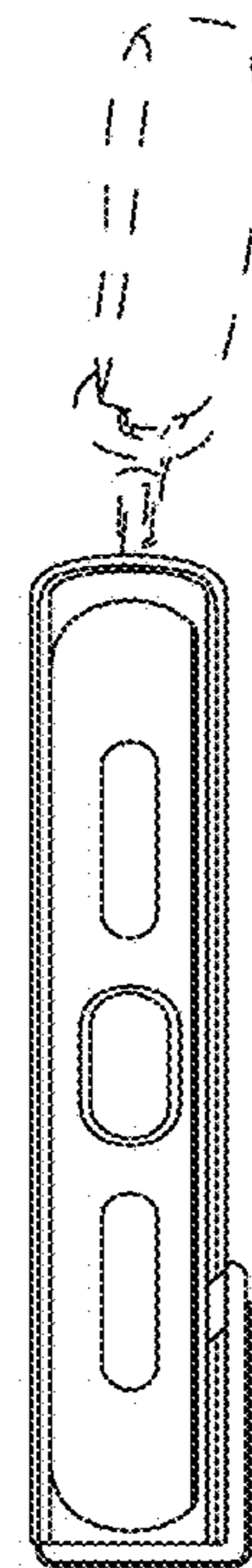
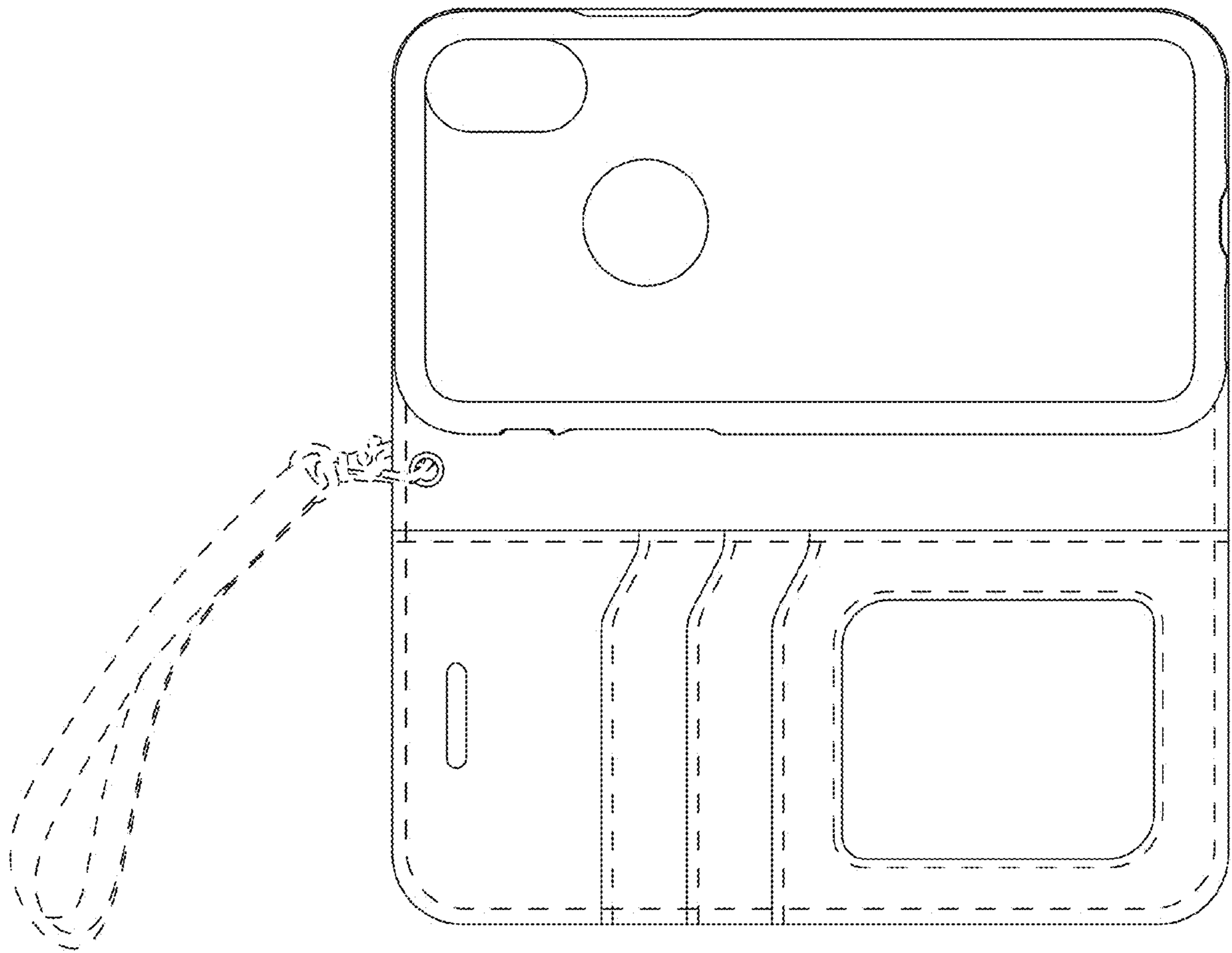


FIG. 6

FIG. 7



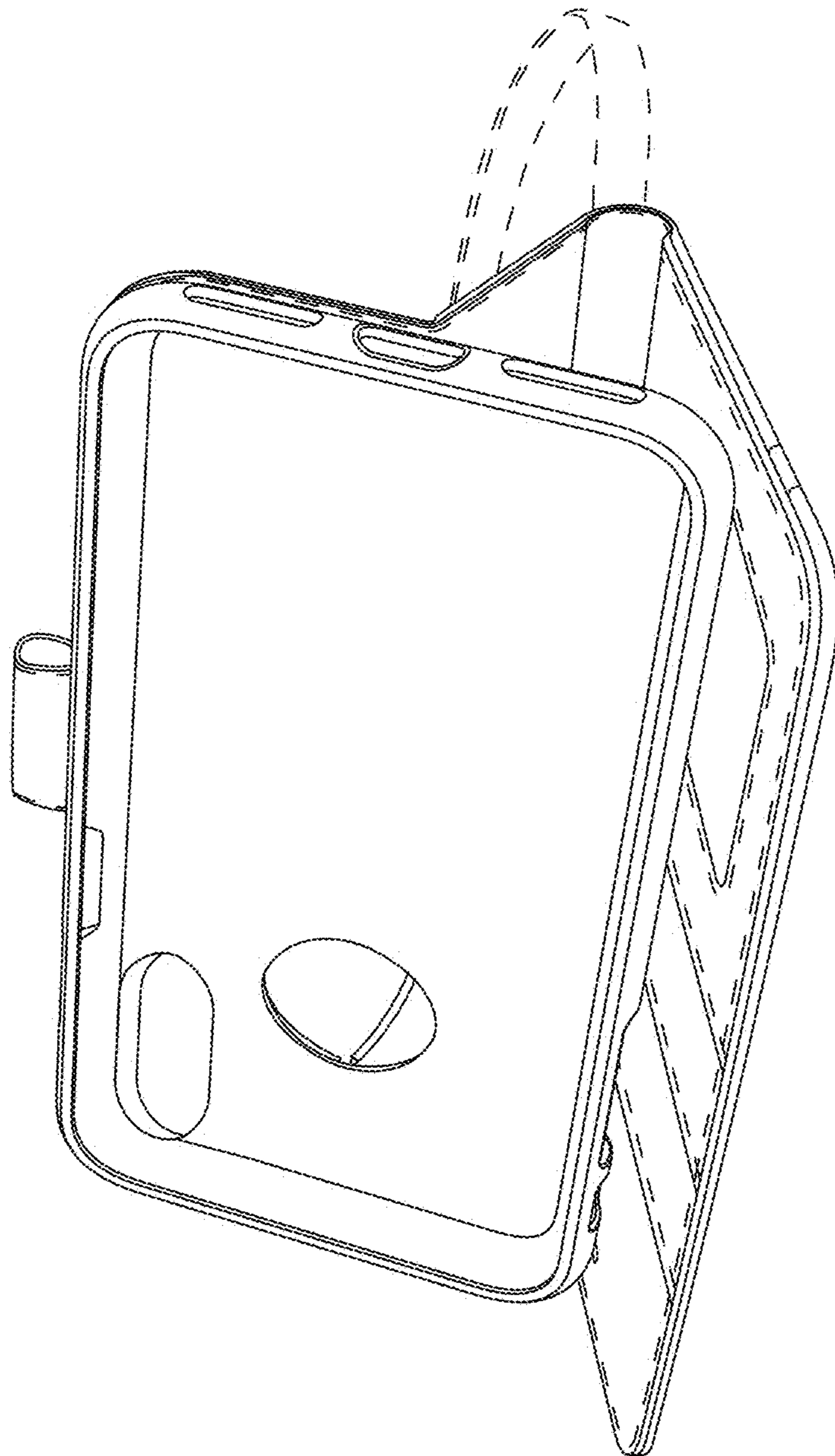


FIG. 8

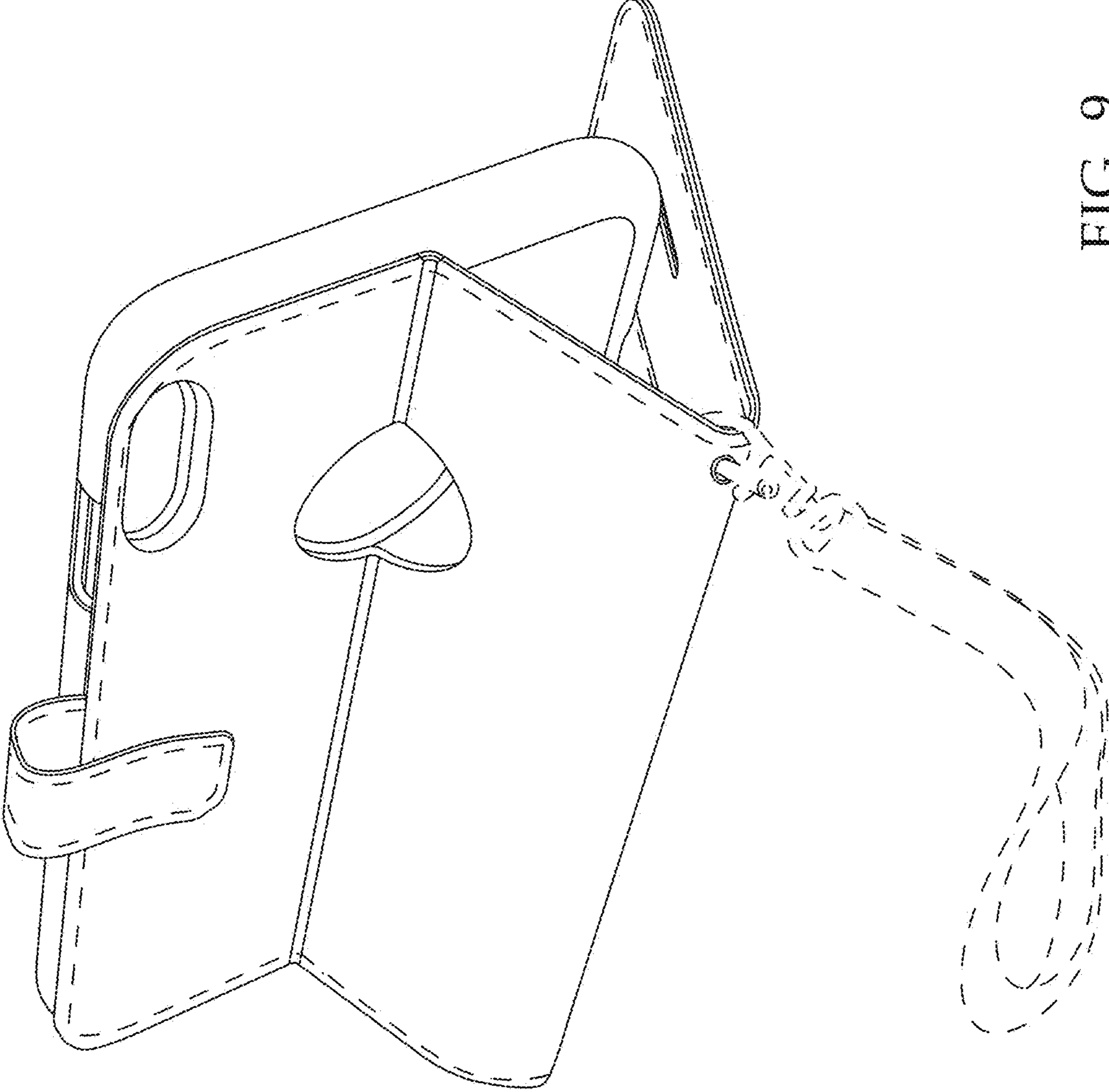


FIG. 9

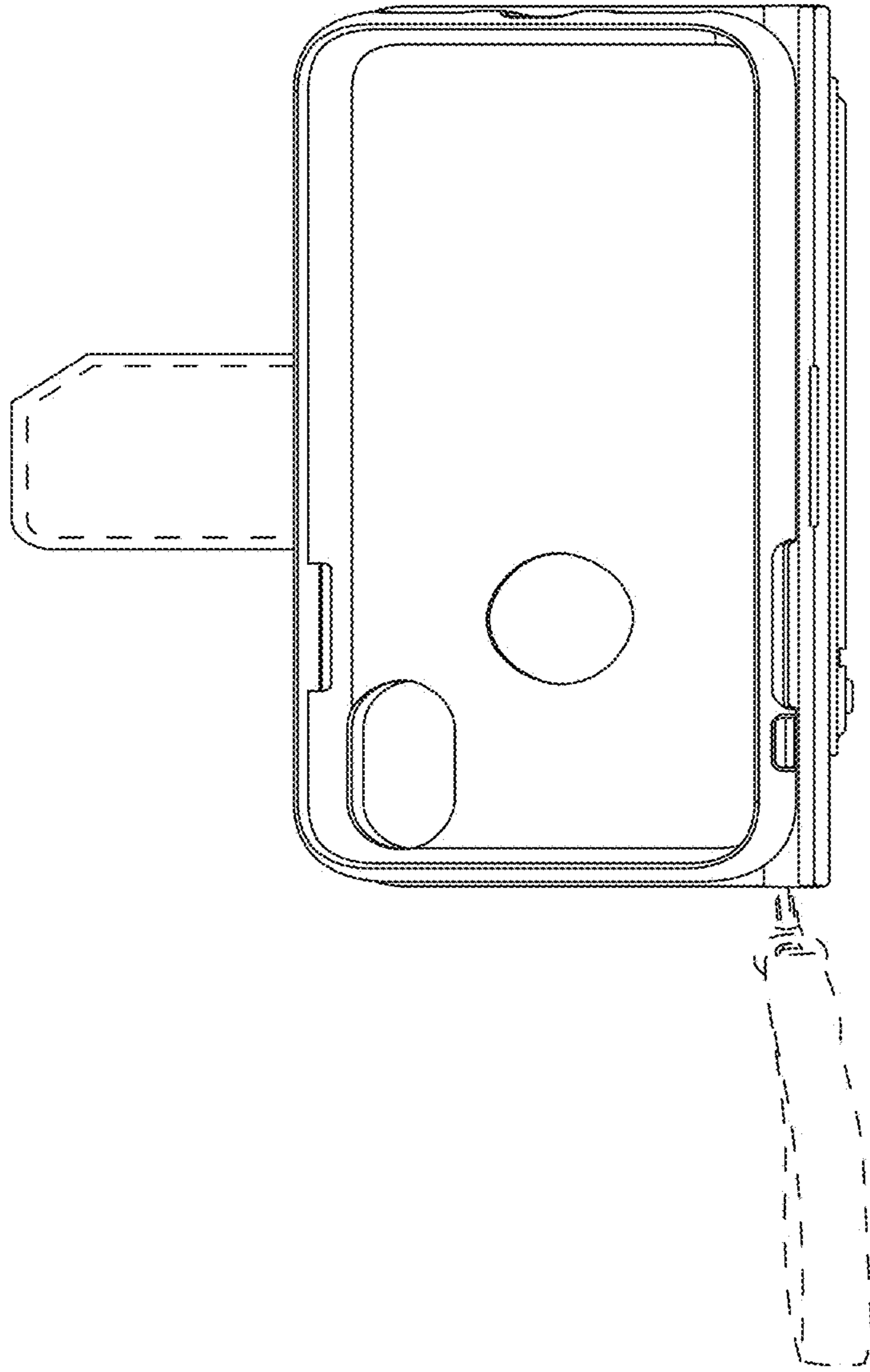


FIG. 10

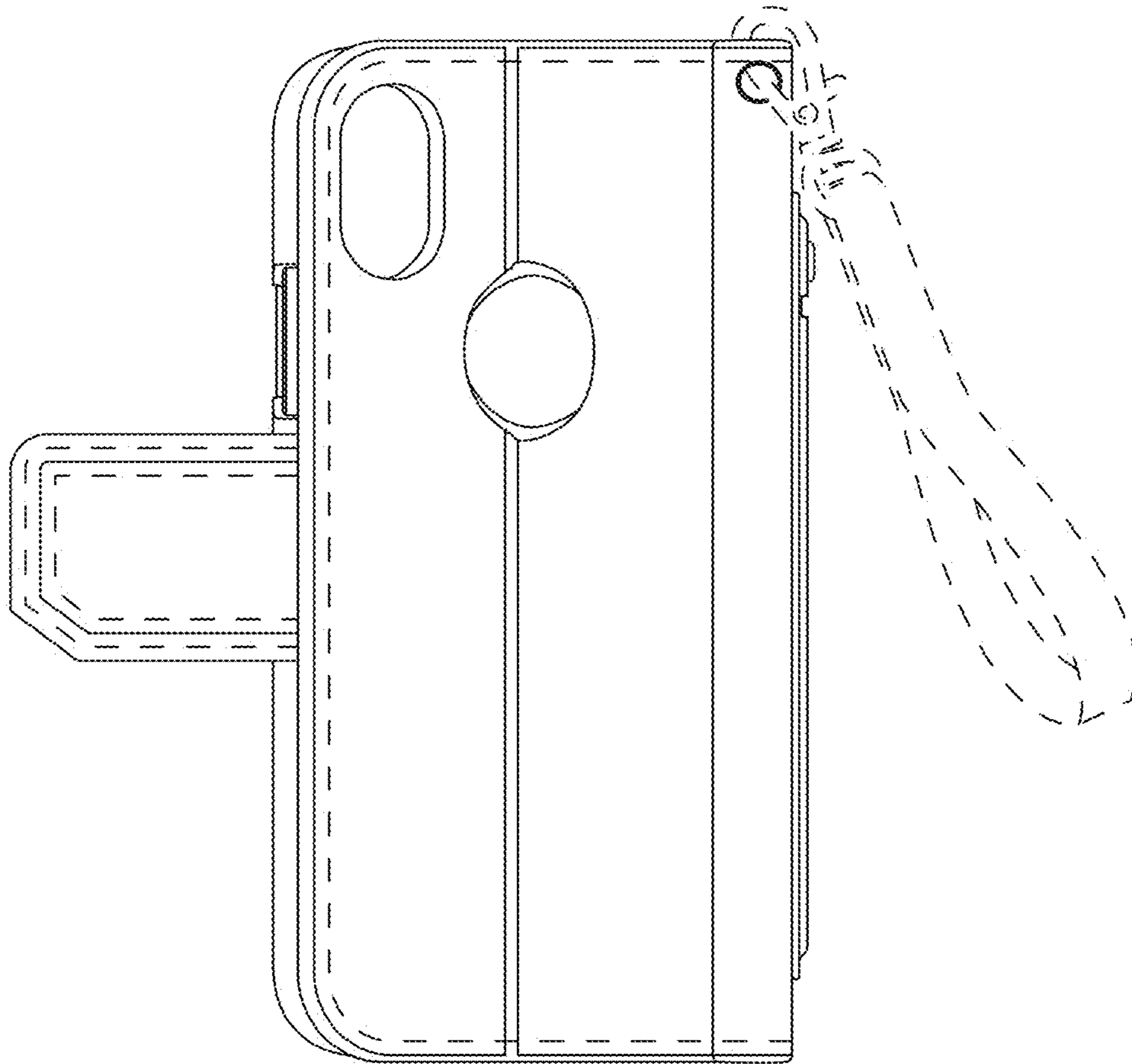


FIG. 11

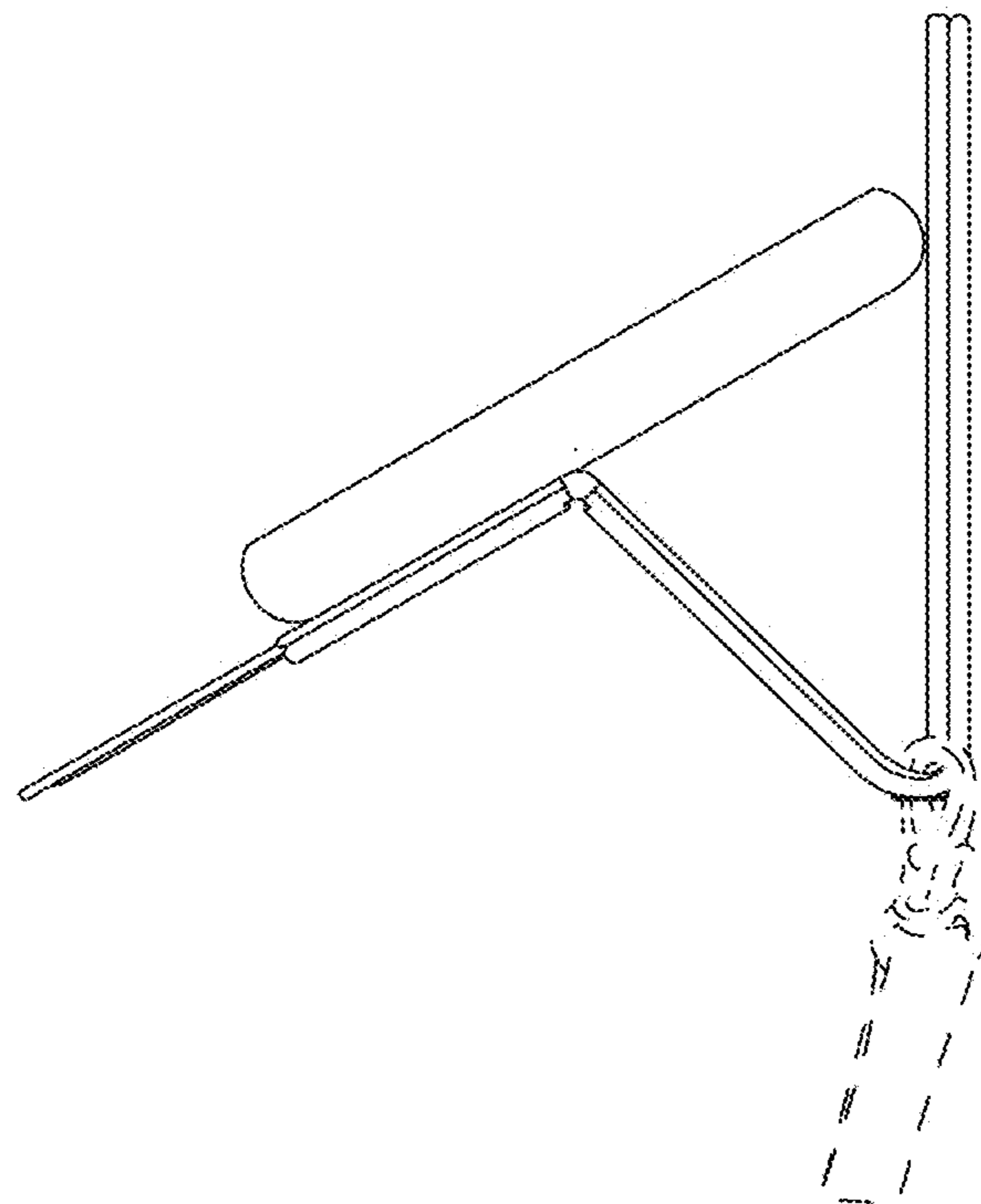


FIG. 12

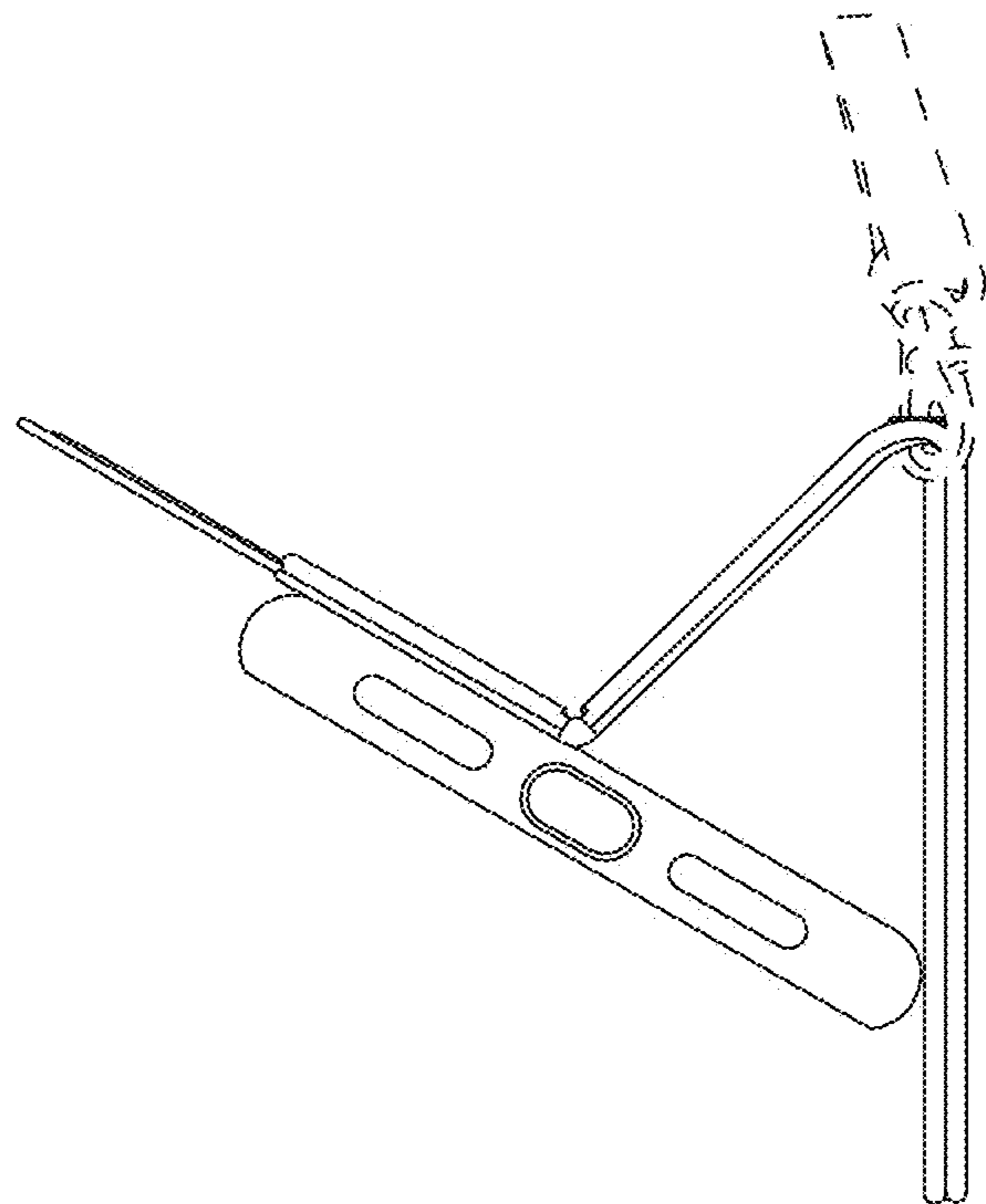


FIG. 13

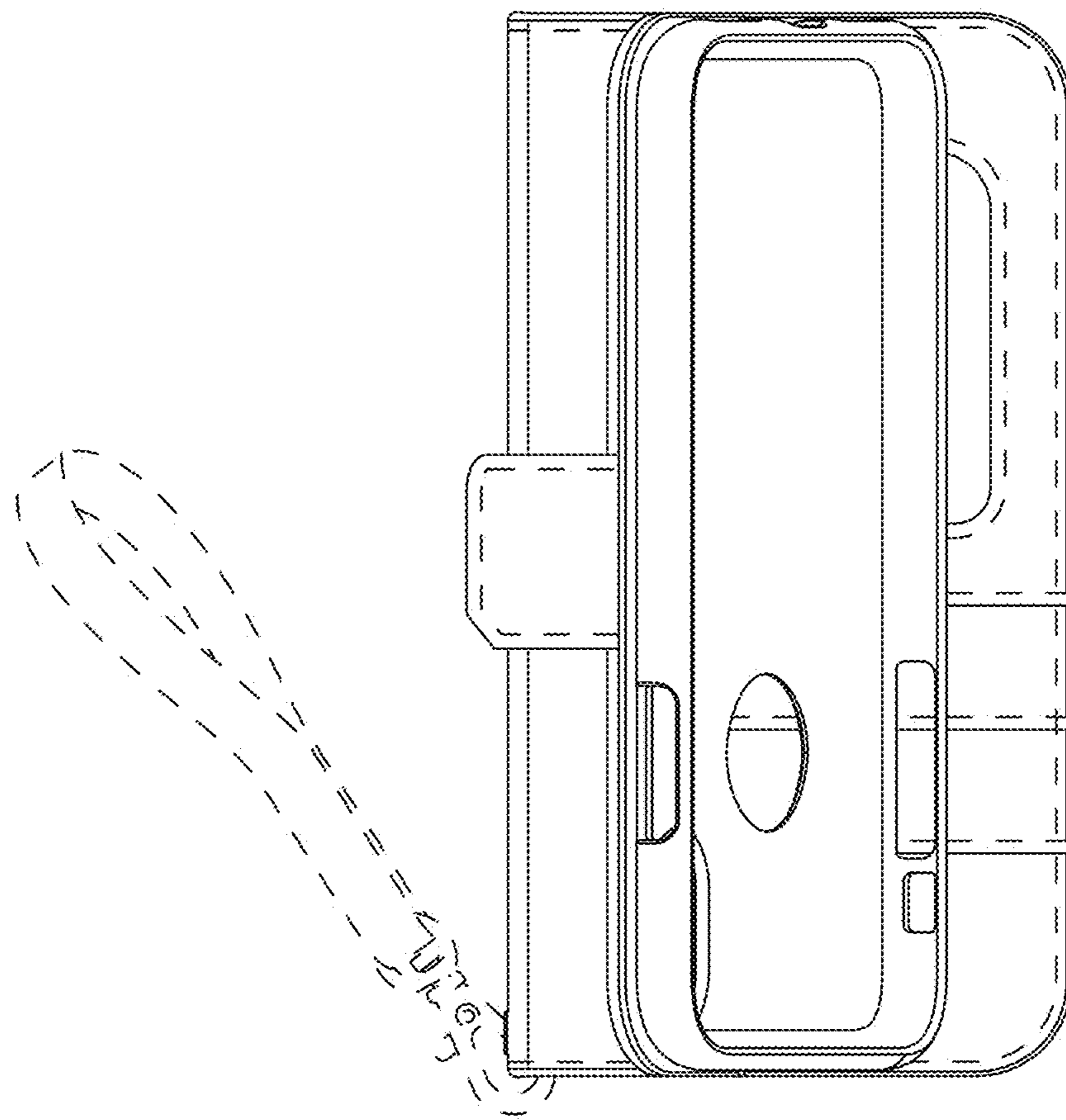


FIG. 14

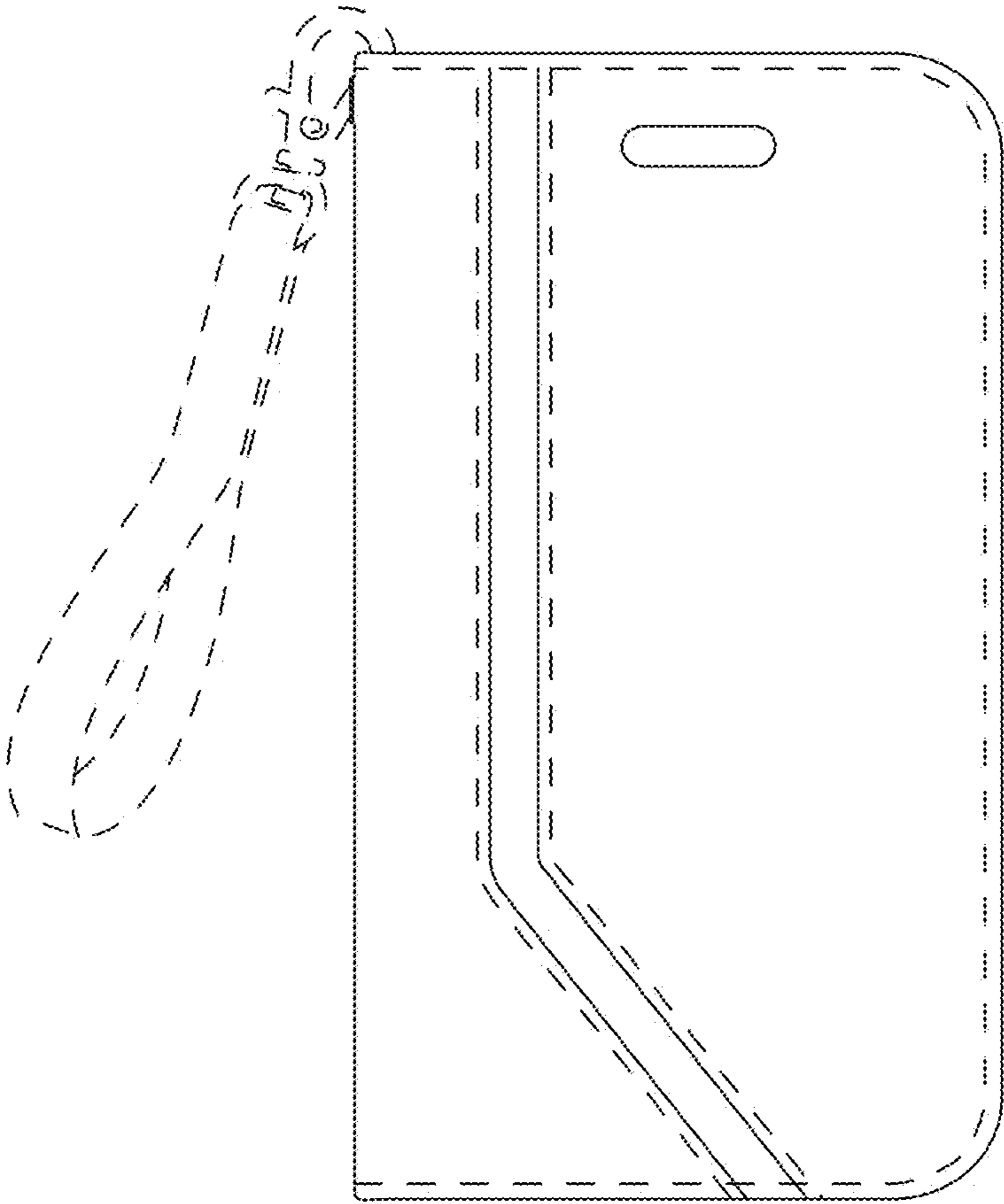


FIG. 15