



US00D874135S

(12) **United States Design Patent** (10) **Patent No.:** **US D874,135 S**
Wirsig (45) **Date of Patent:** **** Feb. 4, 2020**

(54) **ATTACHABLE GAME LICENSE HOLDER**

(71) Applicant: **Skyler Wirsig**, Lees Summit, MO (US)

(72) Inventor: **Skyler Wirsig**, Lees Summit, MO (US)

(**) Term: **15 Years**

(21) Appl. No.: **29/661,336**

(22) Filed: **Aug. 27, 2018**

(51) **LOC (12) Cl.** **03-01**

(52) **U.S. Cl.**
USPC **D3/247**

(58) **Field of Classification Search**
USPC D3/247, 249–253
CPC A45C 1/06; A45C 3/08
See application file for complete search history.

(56) **References Cited**

U.S. PATENT DOCUMENTS

3,770,034	A *	11/1973	Eastman	A45C 1/06
					150/146
4,570,688	A *	2/1986	Williams	A45C 1/04
					150/102
4,716,948	A *	1/1988	Brissette	A45C 1/06
					150/132
D728,930	S *	5/2015	Kalbach	D3/247
D753,915	S *	4/2016	Sugai	D3/247
D780,449	S *	3/2017	King	D3/247
D782,185	S *	3/2017	Lederer	D14/252
D798,591	S *	10/2017	King	D3/247
D808,650	S *	1/2018	Taylor	D3/247
D813,547	S *	3/2018	Wright	D3/319
D813,548	S *	3/2018	Wright	D3/319
D815,437	S *	4/2018	Wright	D3/319

OTHER PUBLICATIONS

Waterproof Bag—Corporate Giveaways Smartphone Accessories. (n.d.). Retrieved Aug. 27, 2018, from https://www.anypromo.com/technology/smartphone-accessories/waterproof-bag-p703409?utm_source=PLA&utm_medium=PC&utm_campaign=703409&gclid=EAlalQobChMIrK3igYE3QIVInICh2AwQ0CEAQYCiABEGLBZPD_BwE.

* cited by examiner

Primary Examiner — Holly H Baynham
(74) *Attorney, Agent, or Firm* — Dunlap Bennett & Ludwig PLLC; Brendan E. Squire

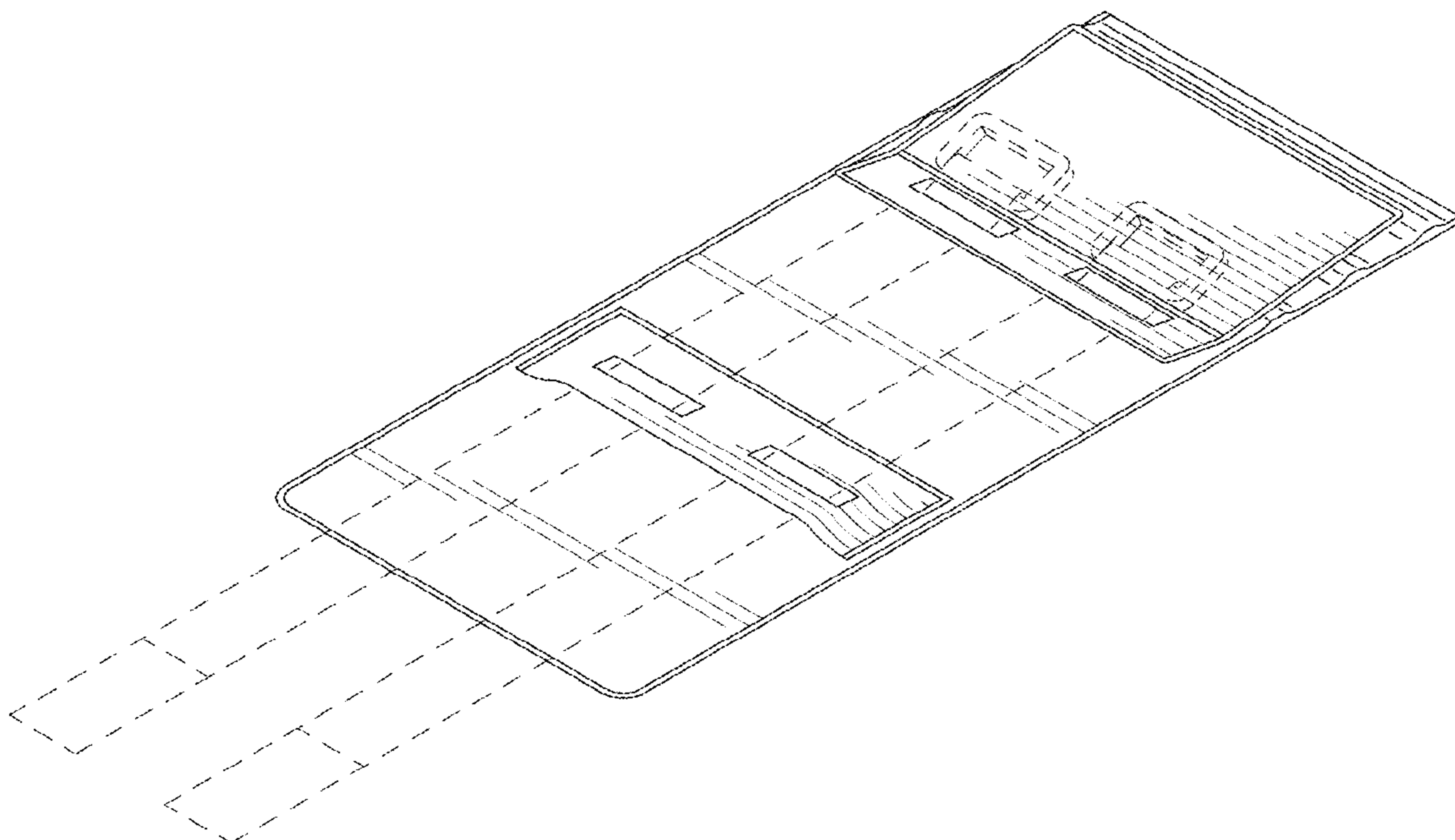
(57) **CLAIM**

The ornamental design for an attachable game license holder, as shown and described.

DESCRIPTION

FIG. 1 is a top front perspective view of the attachable game license holder showing my new design; FIG. 2 is a bottom front perspective view thereof; FIG. 3 is a top elevation view thereof; FIG. 4 is a bottom elevation view thereof; FIG. 5 is a right elevation view thereof, with the left elevation view being a mirror image thereof; FIG. 6 is a front elevation view thereof; FIG. 7 is a rear elevation view thereof; FIG. 8 is a detail section view thereof, taken along line 8-8 in FIG. 3; and, FIG. 9 is a top front perspective view thereof, shown in use. The broken lines shown in the drawings illustrate portions of the attachable game license holder that form no part of the claimed design. The additional broken lines in FIG. 9 showing the attachable game license holder in use illustrates environment and forms no part of the claim.

1 Claim, 5 Drawing Sheets



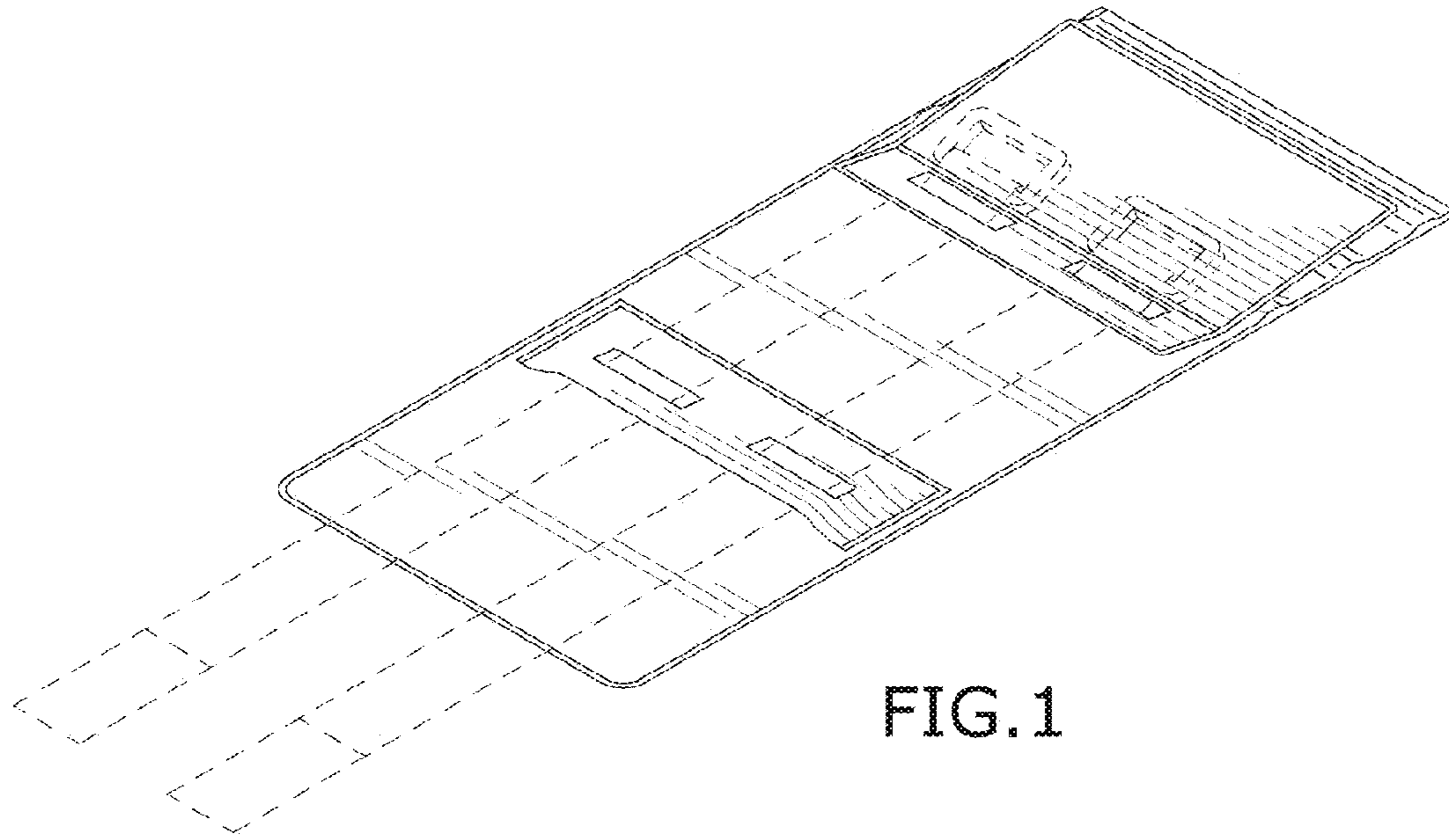


FIG. 1

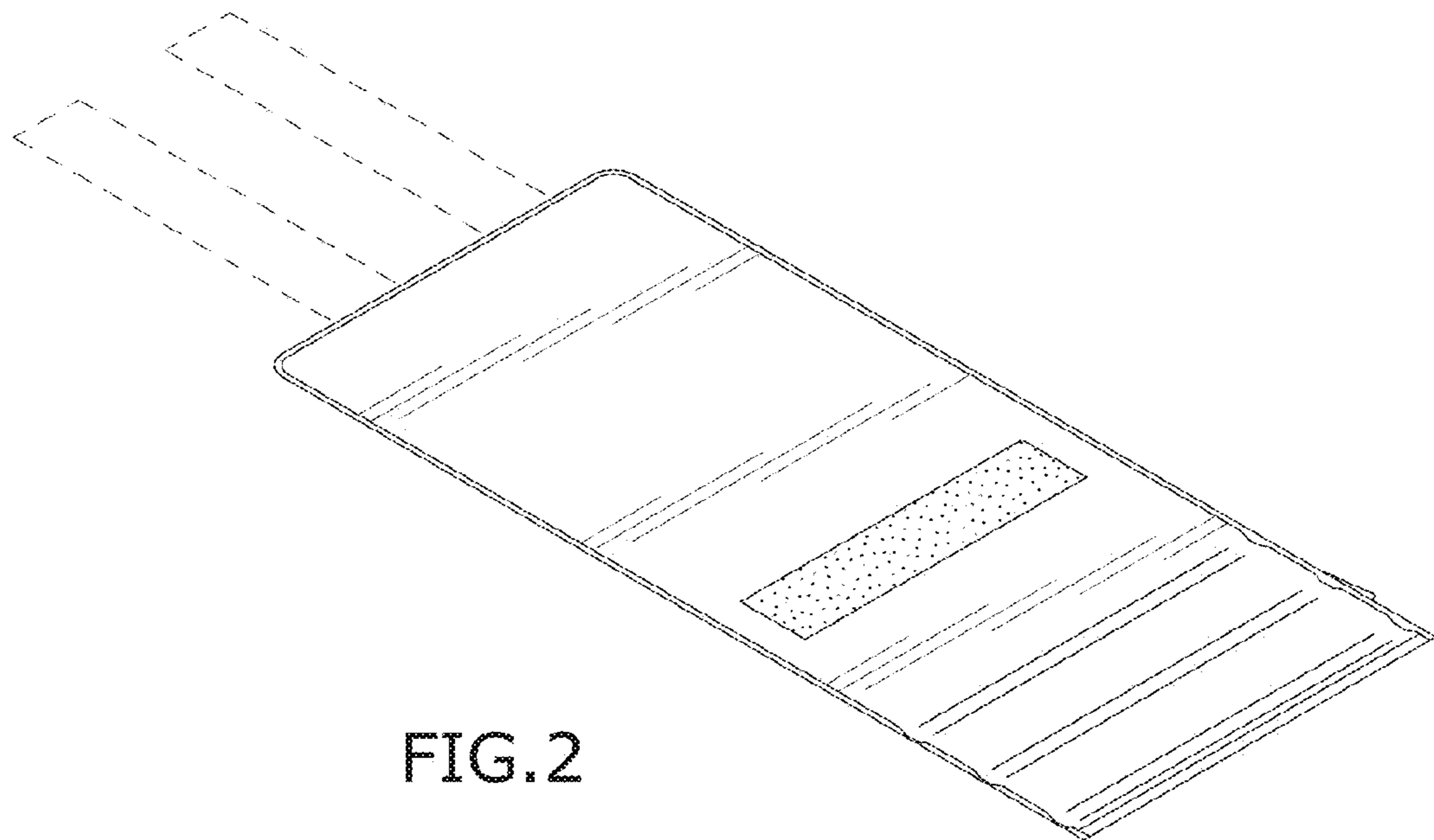


FIG. 2

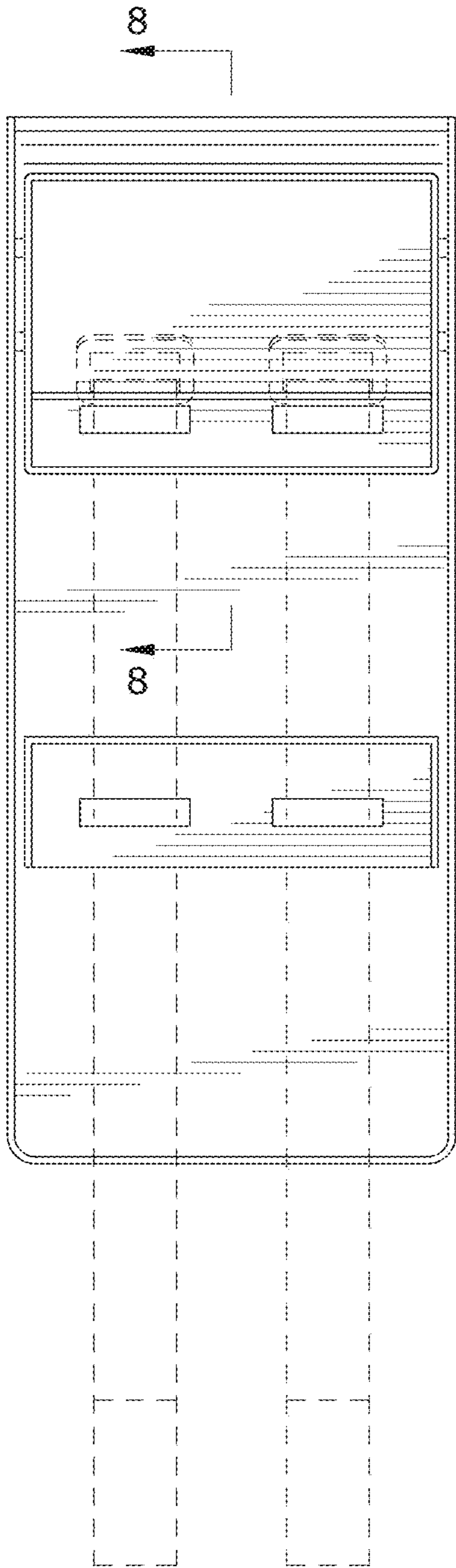


FIG. 3

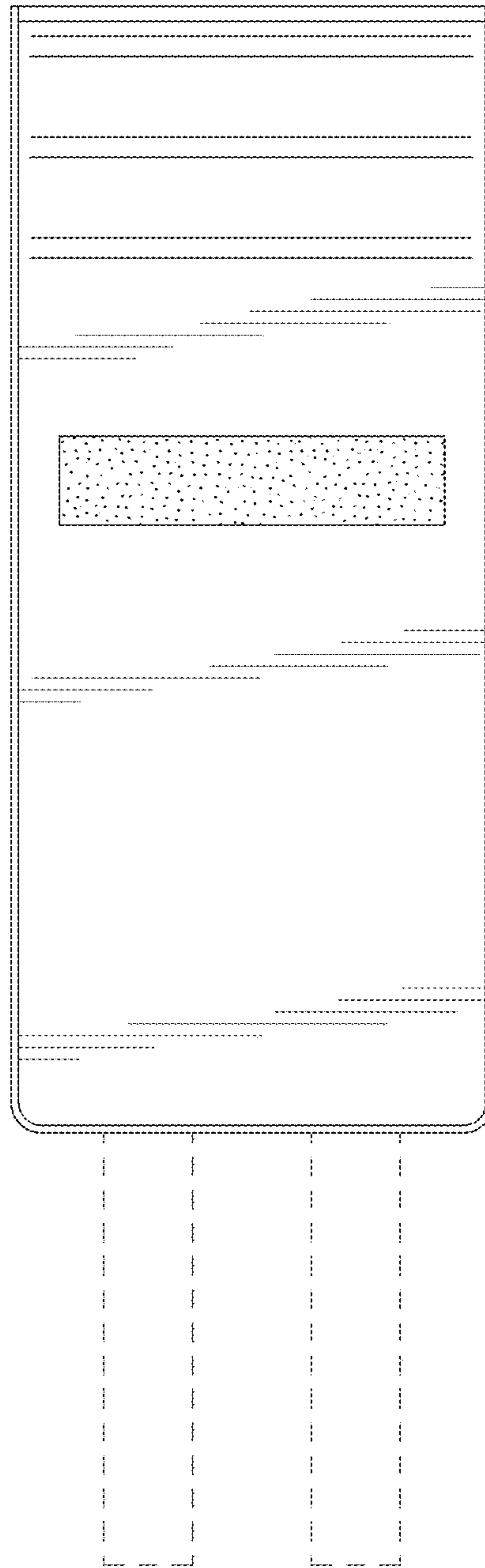


FIG. 4

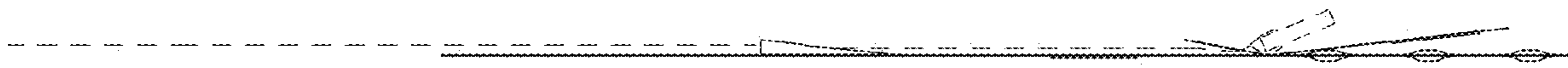


FIG. 5

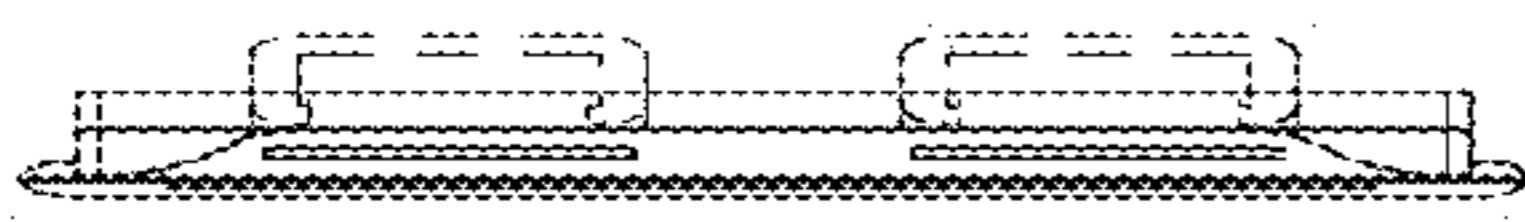


FIG. 6

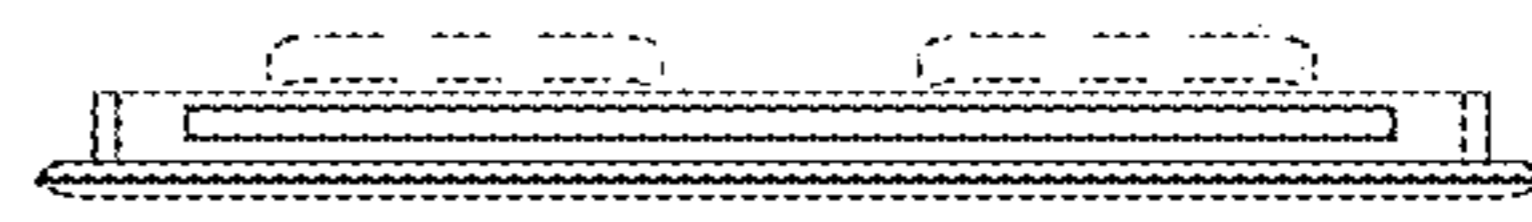


FIG. 7

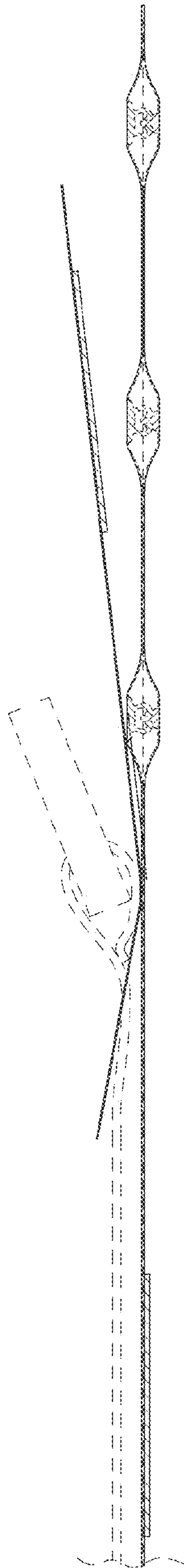


FIG. 8

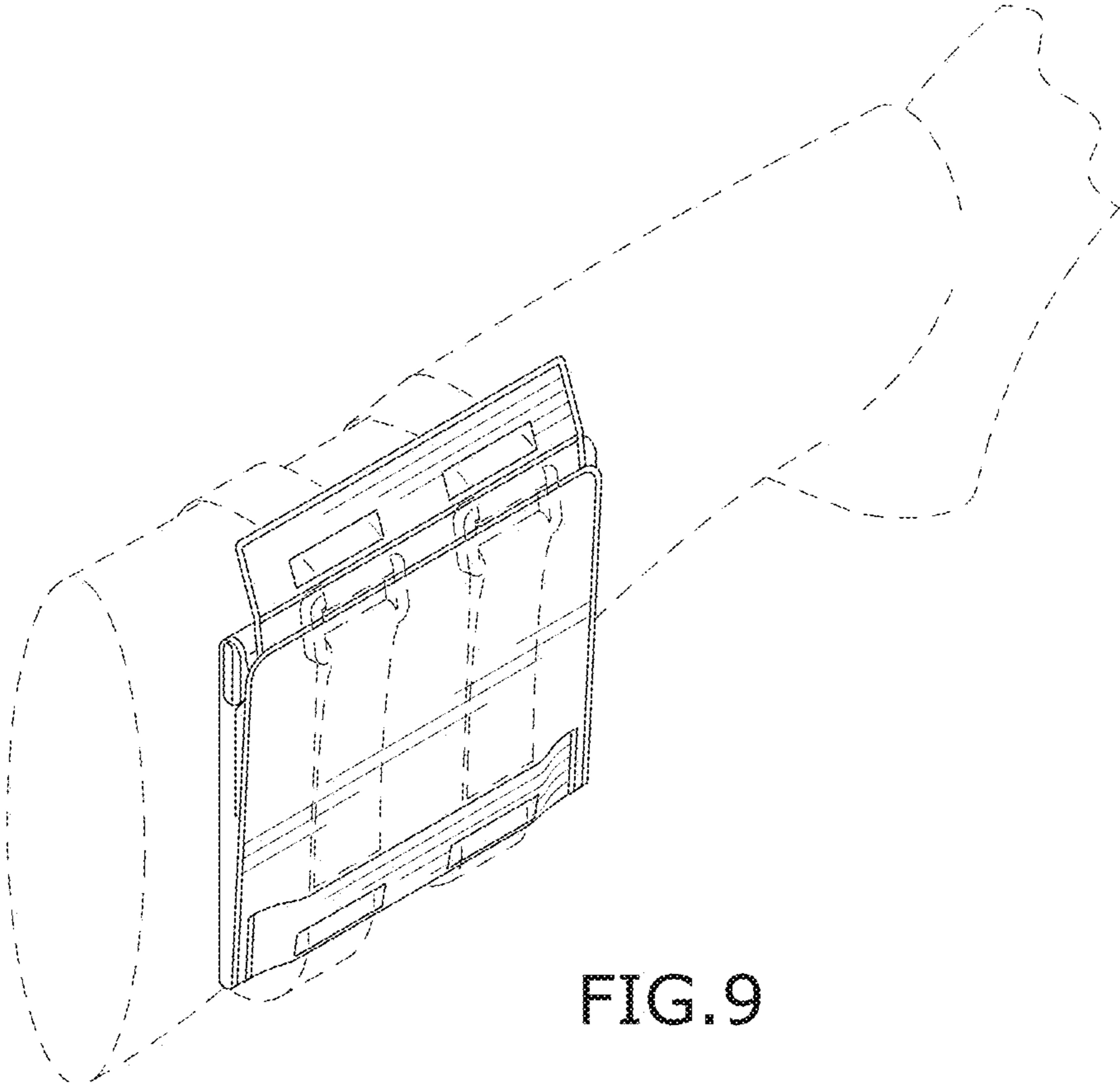


FIG. 9