



US00D874134S

(12) **United States Design Patent**
Savoulidis

(10) **Patent No.:** **US D874,134 S**

(45) **Date of Patent:** **** Feb. 4, 2020**

(54) **HAND BAG**

(71) Applicant: **Megalini LLC**, Brooklyn, NY (US)

(72) Inventor: **Anastasia Savoulidis**, Brooklyn, NY (US)

(73) Assignee: **MEGALINI LLC**, Brooklyn, NY (US)

(**) Term: **15 Years**

(21) Appl. No.: **29/664,753**

(22) Filed: **Sep. 27, 2018**

(51) **LOC (12) Cl.** **03-01**

(52) **U.S. Cl.**
USPC **D3/245**

(58) **Field of Classification Search**
USPC D3/232-233, 240-243, 245-246
CPC A45C 1/024; A45C 3/06
See application file for complete search history.

(56) **References Cited**

U.S. PATENT DOCUMENTS

D109,534 S * 5/1938 Robbins 150/117
D131,562 S * 3/1942 Lewis D3/241
3,995,802 A 12/1976 Johnston
5,881,932 A 3/1999 Wadden

D416,677 S * 11/1999 Christman D3/232
6,488,189 B1 12/2002 Smith
D520,741 S * 5/2006 Wong D3/234
7,160,028 B1 1/2007 Linday
D821,745 S * 7/2018 Dumas D3/232

FOREIGN PATENT DOCUMENTS

WO 2015150878 A1 10/2015

* cited by examiner

Primary Examiner — Holly H Baynham

(74) *Attorney, Agent, or Firm* — Carter, DeLuca & Farrell LLP; George Likourezos

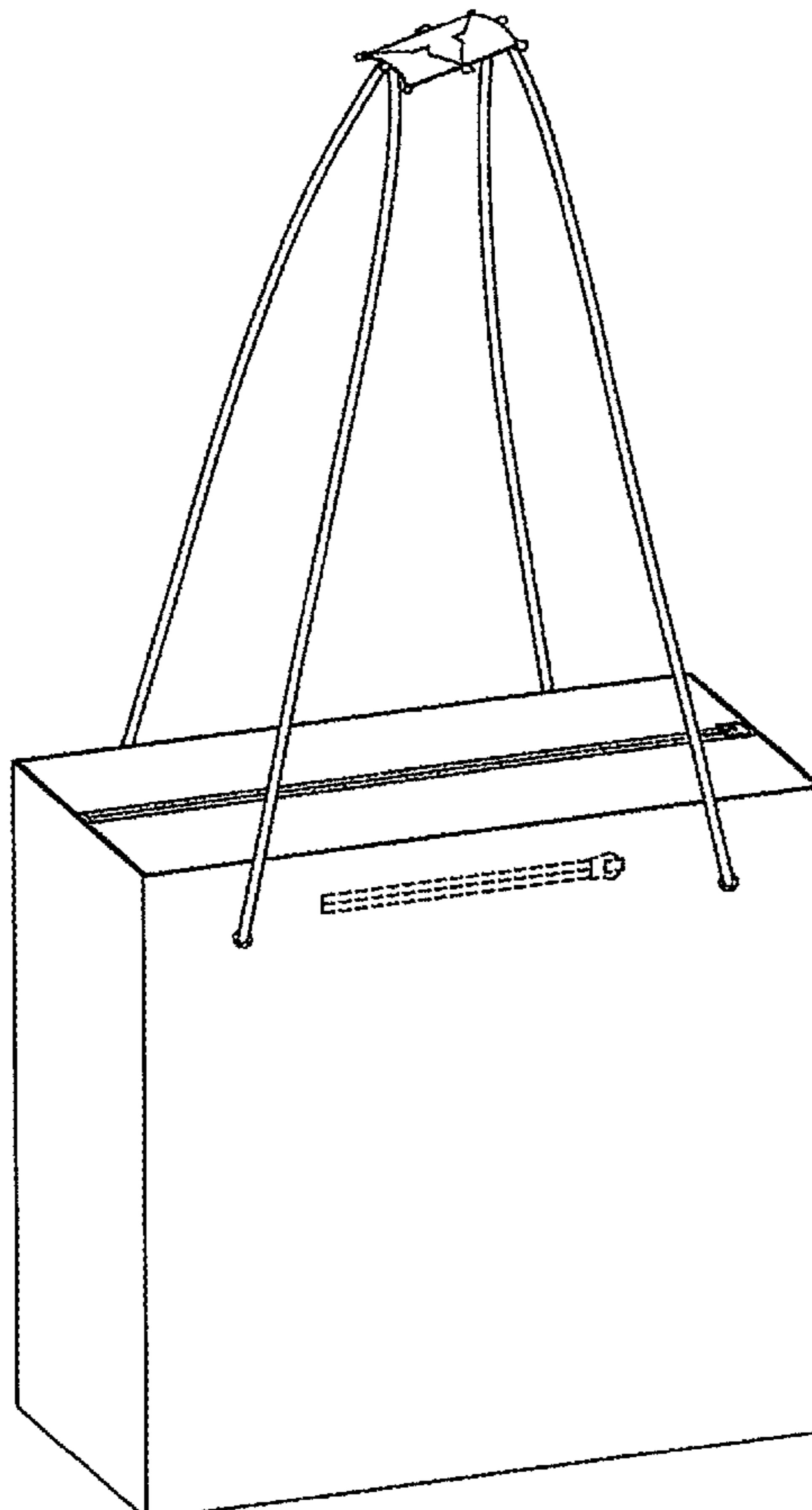
(57) **CLAIM**

The ornamental design for a hand bag, as shown and described.

DESCRIPTION

FIG. 1 is a perspective view of a hand bag in accordance with the present design;
FIG. 2 is a second perspective view from above with the handles unclasp;
FIG. 3 is a side view thereof;
FIG. 4 is a top view thereof; and,
FIG. 5 is a bottom view thereof.
The broken lines depicting a clasp and/or zipper(s) in FIGS. 1-4 are shown for illustration purposes only and are not part of the claimed design.

1 Claim, 4 Drawing Sheets



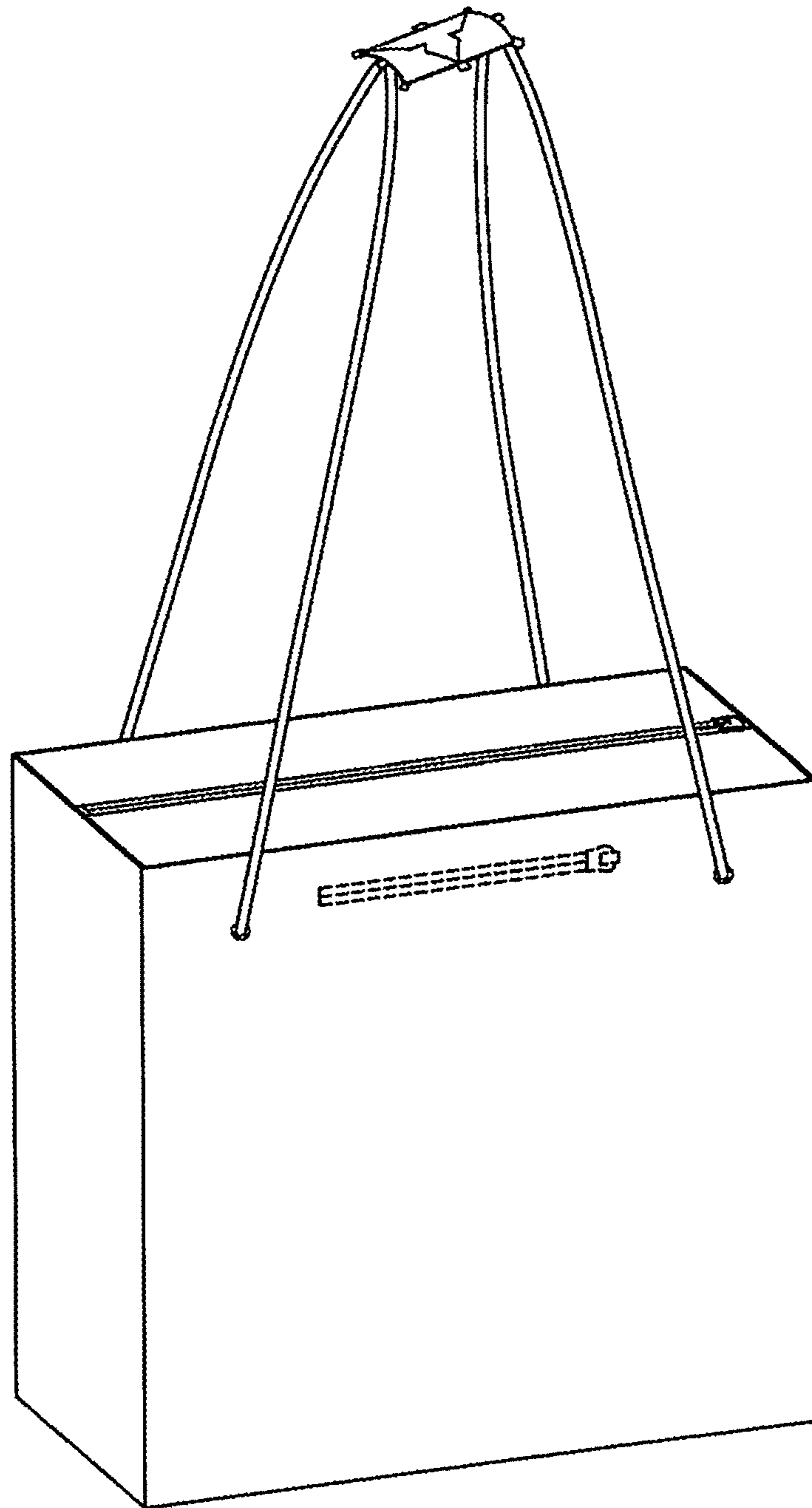


FIG. 1

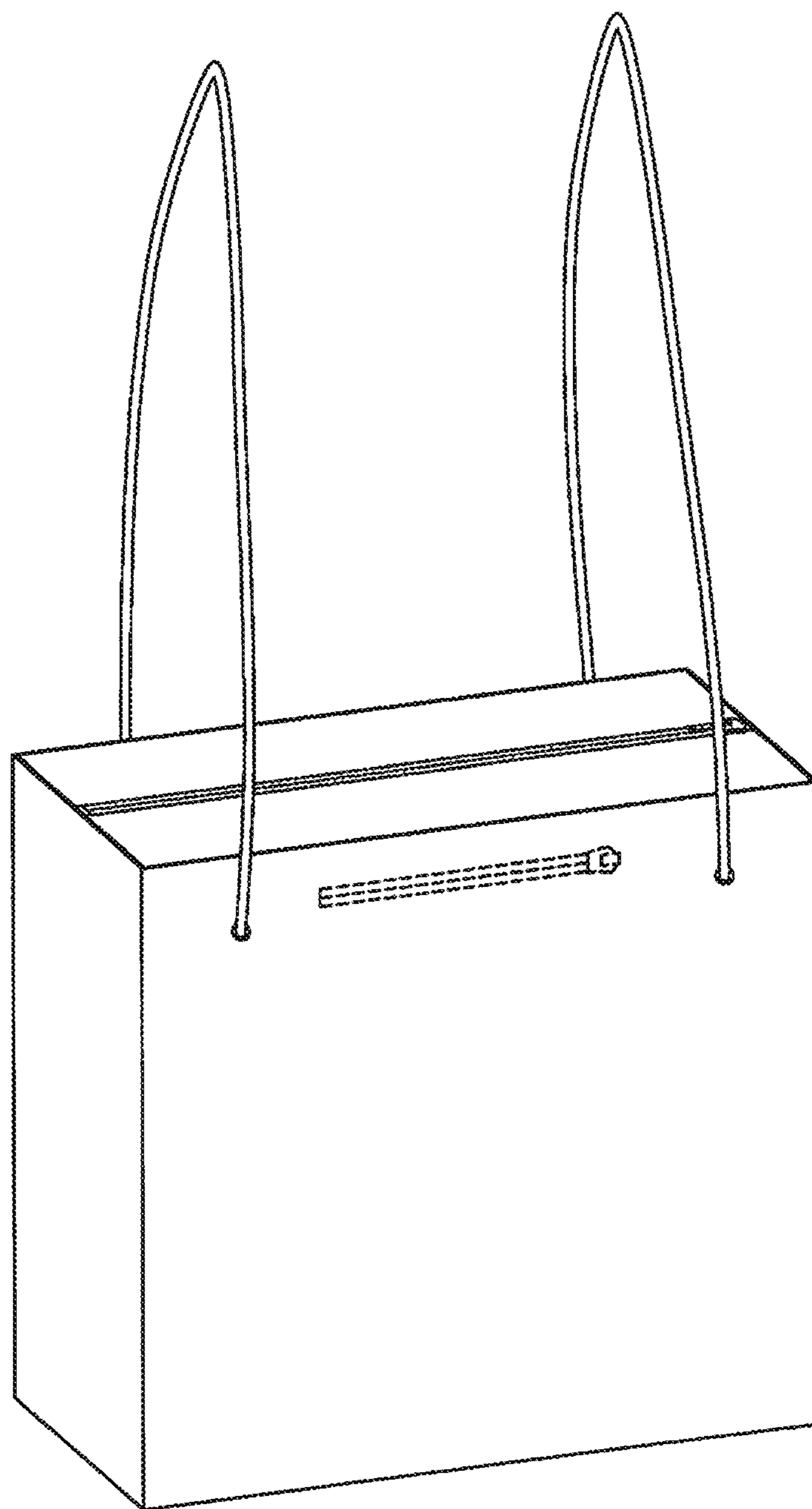


FIG. 2

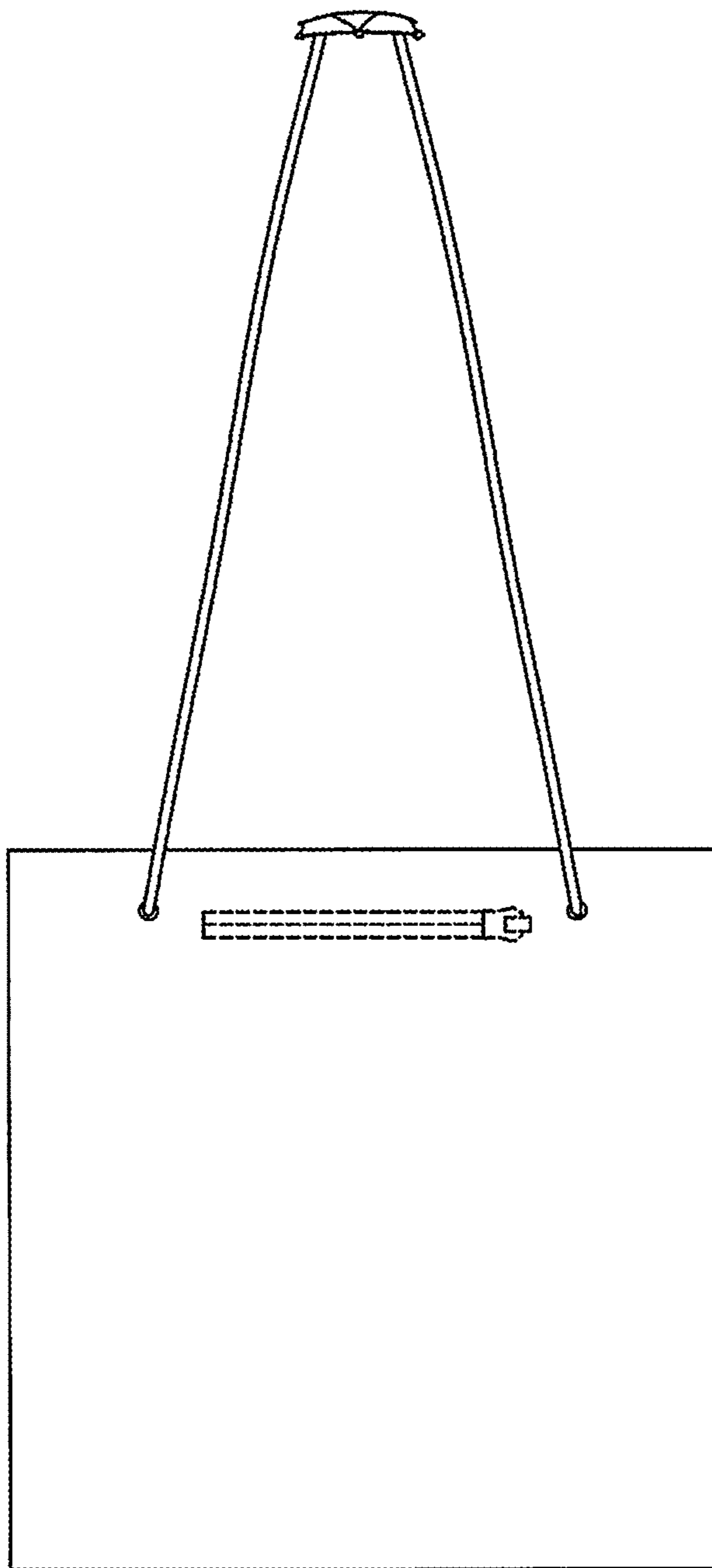


FIG. 3

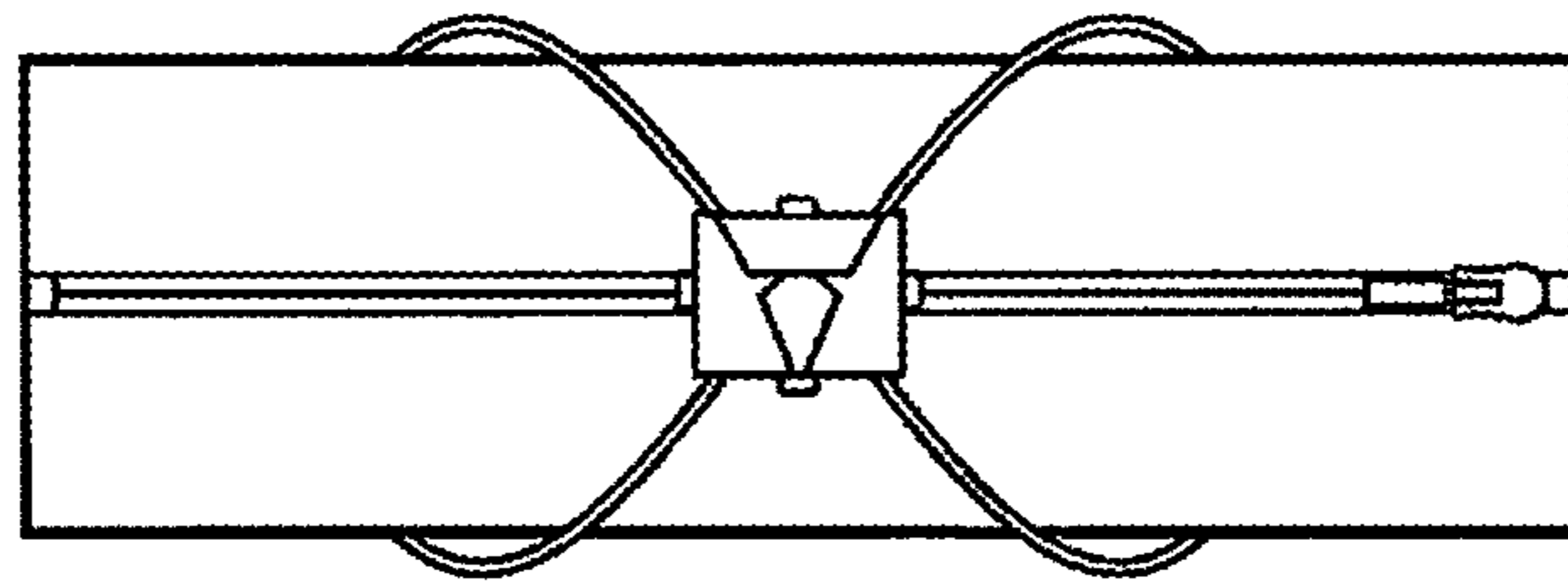


FIG. 4

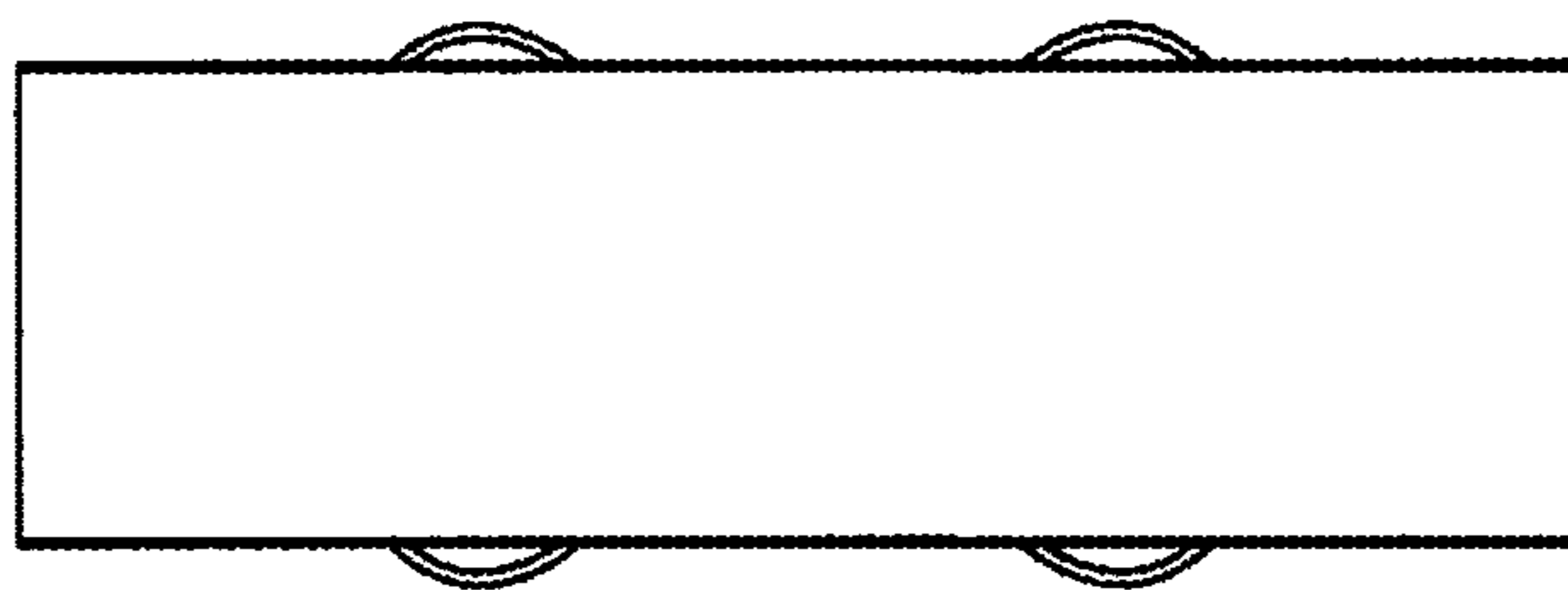


FIG. 5