



US00D874131S

(12) **United States Design Patent**
Zhang

(10) **Patent No.:** **US D874,131 S**

(45) **Date of Patent:** **** Feb. 4, 2020**

(54) **HOLSTER**

(71) Applicant: **CYTAC TECHNOLOGY LIMITED**,
Shenzhen (CN)

(72) Inventor: **Yong Zhang**, Shenzhen (CN)

(**) Term: **15 Years**

(21) Appl. No.: **29/668,488**

(22) Filed: **Oct. 30, 2018**

(30) **Foreign Application Priority Data**

May 21, 2018 (CN) 2018 3 0236440

(51) **LOC (12) Cl.** **03-01**

(52) **U.S. Cl.**
USPC **D3/222**

(58) **Field of Classification Search**
USPC D3/222–223; 224/191–193, 197–198,
224/238, 243–244, 246, 252–253,
224/672–674, 587, 665, 682, 901.4,
224/911–912; 89/34; 42/106
CPC A45F 5/02; A45F 5/021; A45F 3/14; F41C
33/0218; F41C 33/041; F41C 33/046;
F41C 33/0209; F41C 33/0254; F41C
33/0236; F41C 33/0227; F41C 33/0263
See application file for complete search history.

(56) **References Cited**

U.S. PATENT DOCUMENTS

D567,501	S	*	4/2008	Zusman	D3/222
D603,159	S	*	11/2009	Zusman	D3/222
D776,424	S	*	1/2017	Faifer	D3/222
D838,474	S	*	1/2019	Tang	D3/222
D841,320	S	*	2/2019	Tang	D3/222
2017/0261287	A1	*	9/2017	Faifer	F41C 33/0209

* cited by examiner

Primary Examiner — Catherine R Oliver-Garcia

(74) *Attorney, Agent, or Firm* — ZANIP

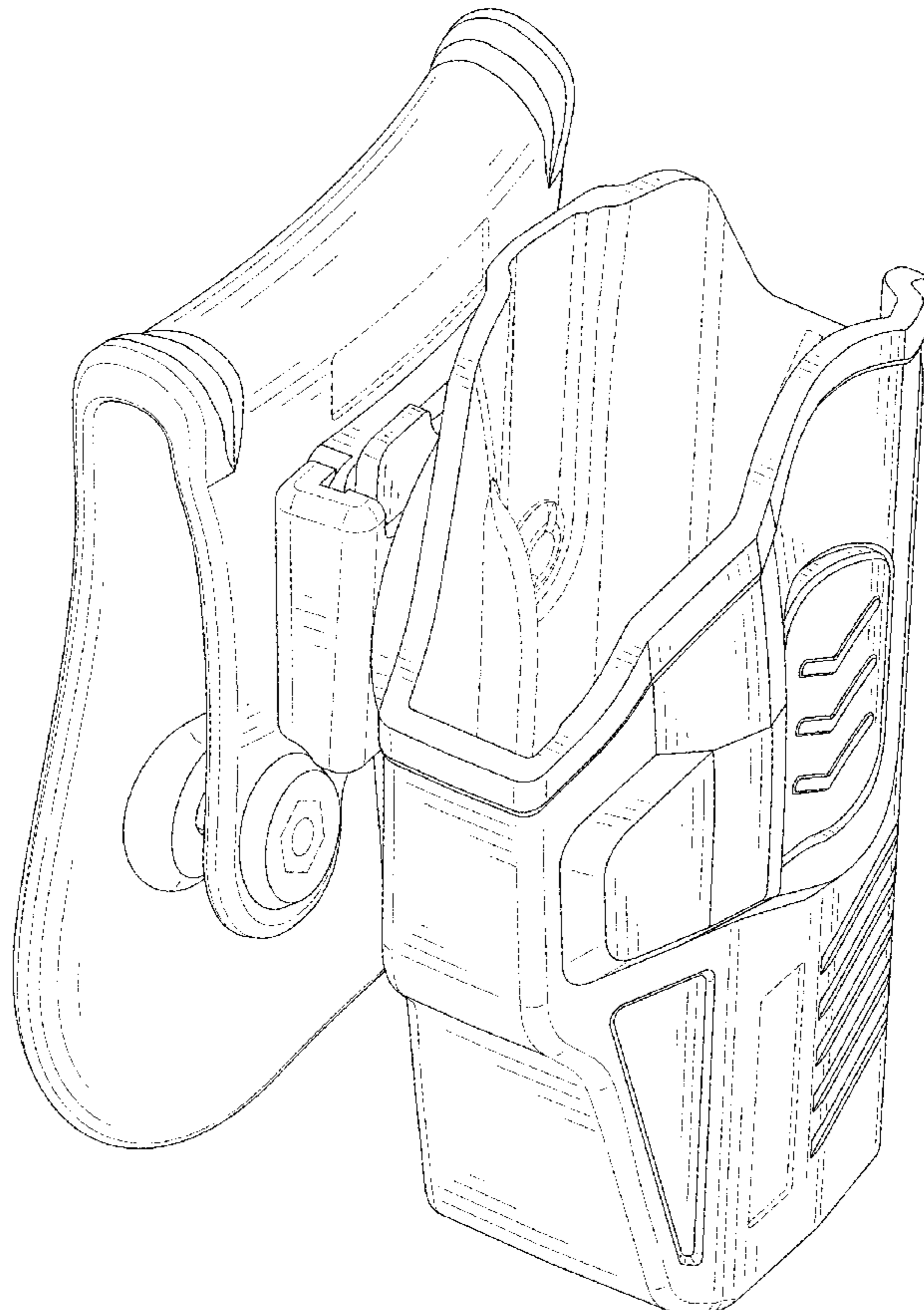
(57) **CLAIM**

The ornamental design for a holster, as shown and described.

DESCRIPTION

FIG. 1 is a front perspective view of the holster showing my new design;
FIG. 2 is another perspective view thereof;
FIG. 3 is a front elevational view thereof,
FIG. 4 is a rear elevational view thereof,
FIG. 5 is a left elevational view thereof;
FIG. 6 is a right elevational view thereof
FIG. 7 is a top plan view thereof; and,
FIG. 8 is a bottom plan view thereof.
The broken lines are for the purpose of illustrating portions of the holster and form no part of the claimed design.

1 Claim, 8 Drawing Sheets



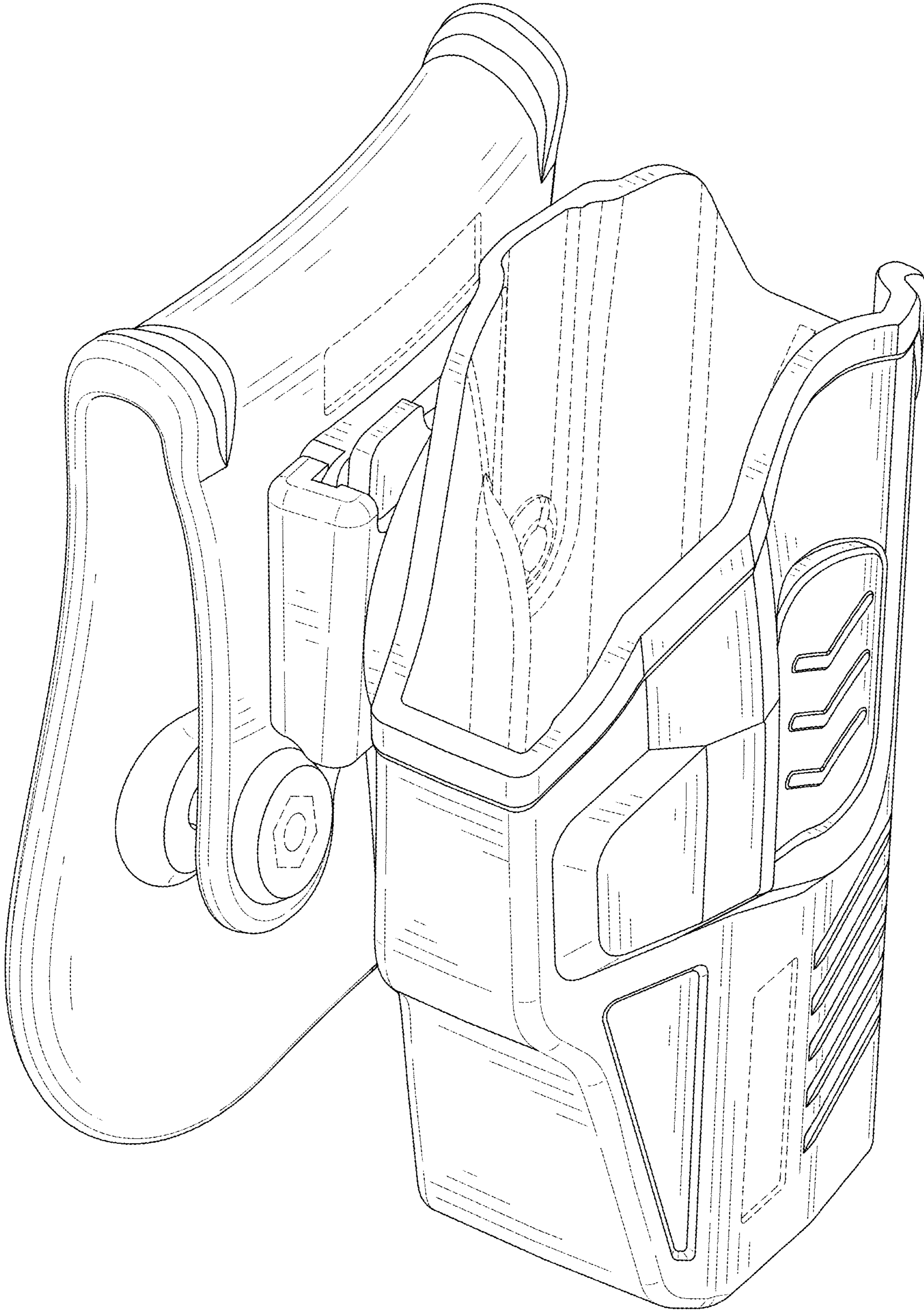


FIG. 1

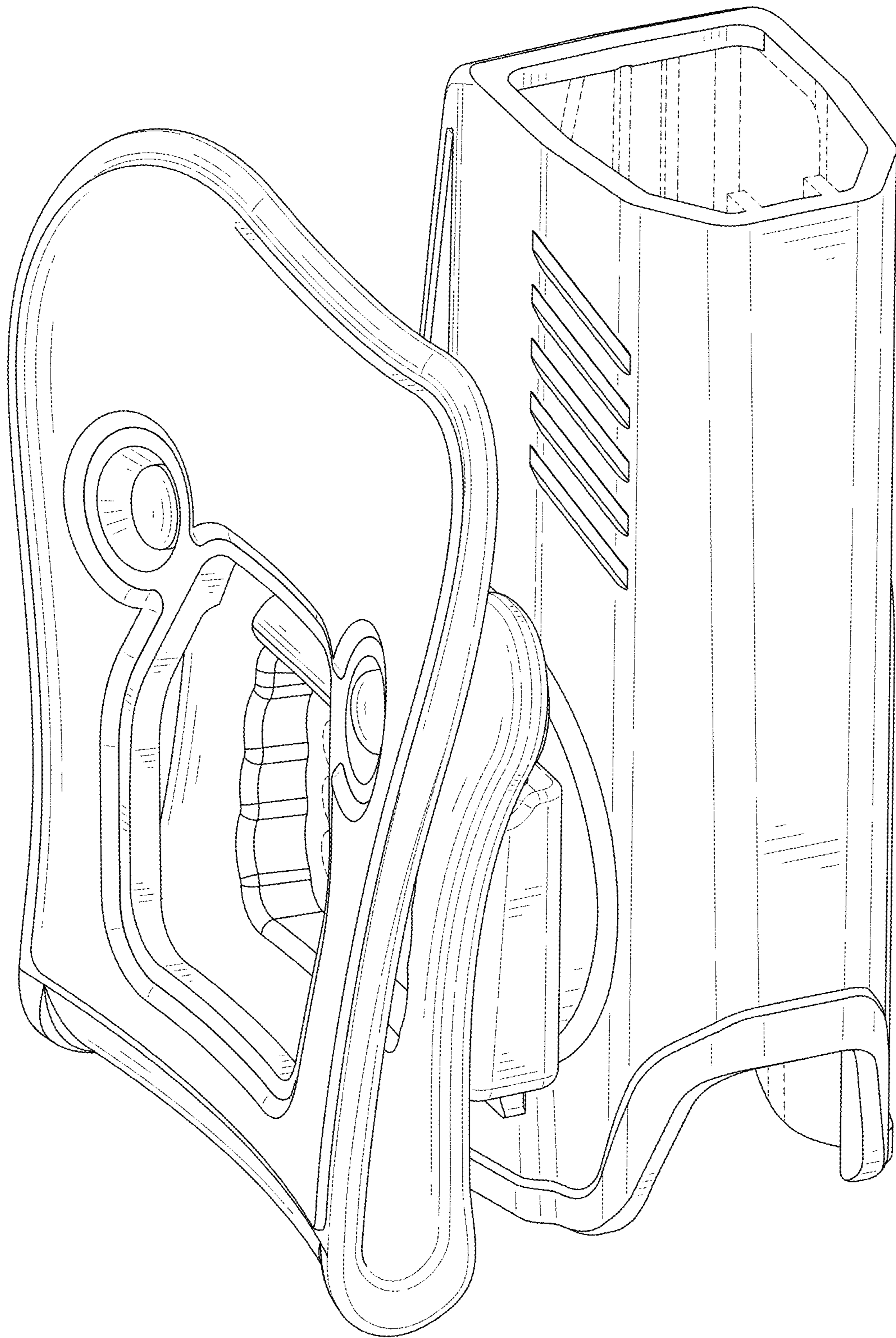


FIG. 2

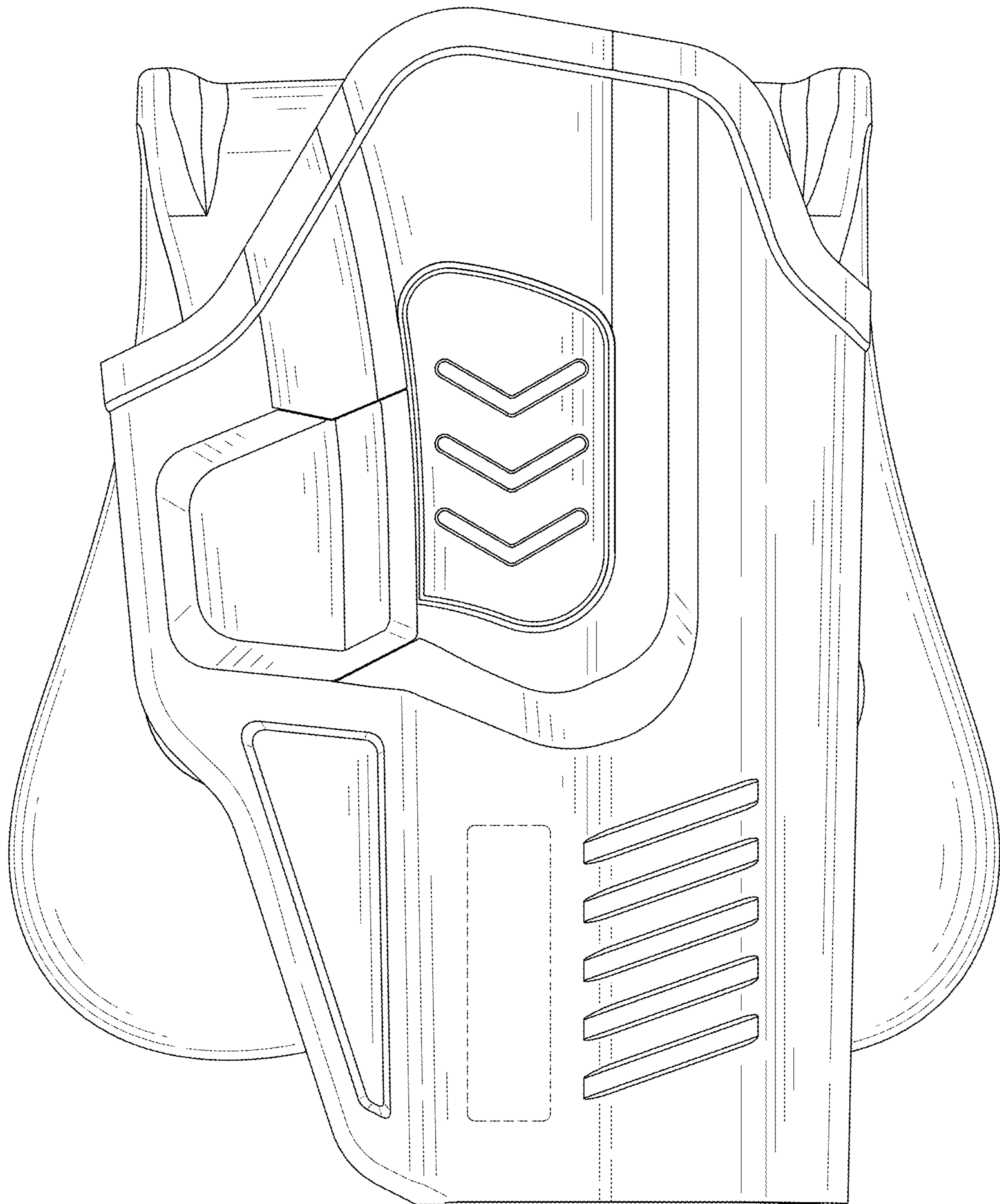


FIG. 3

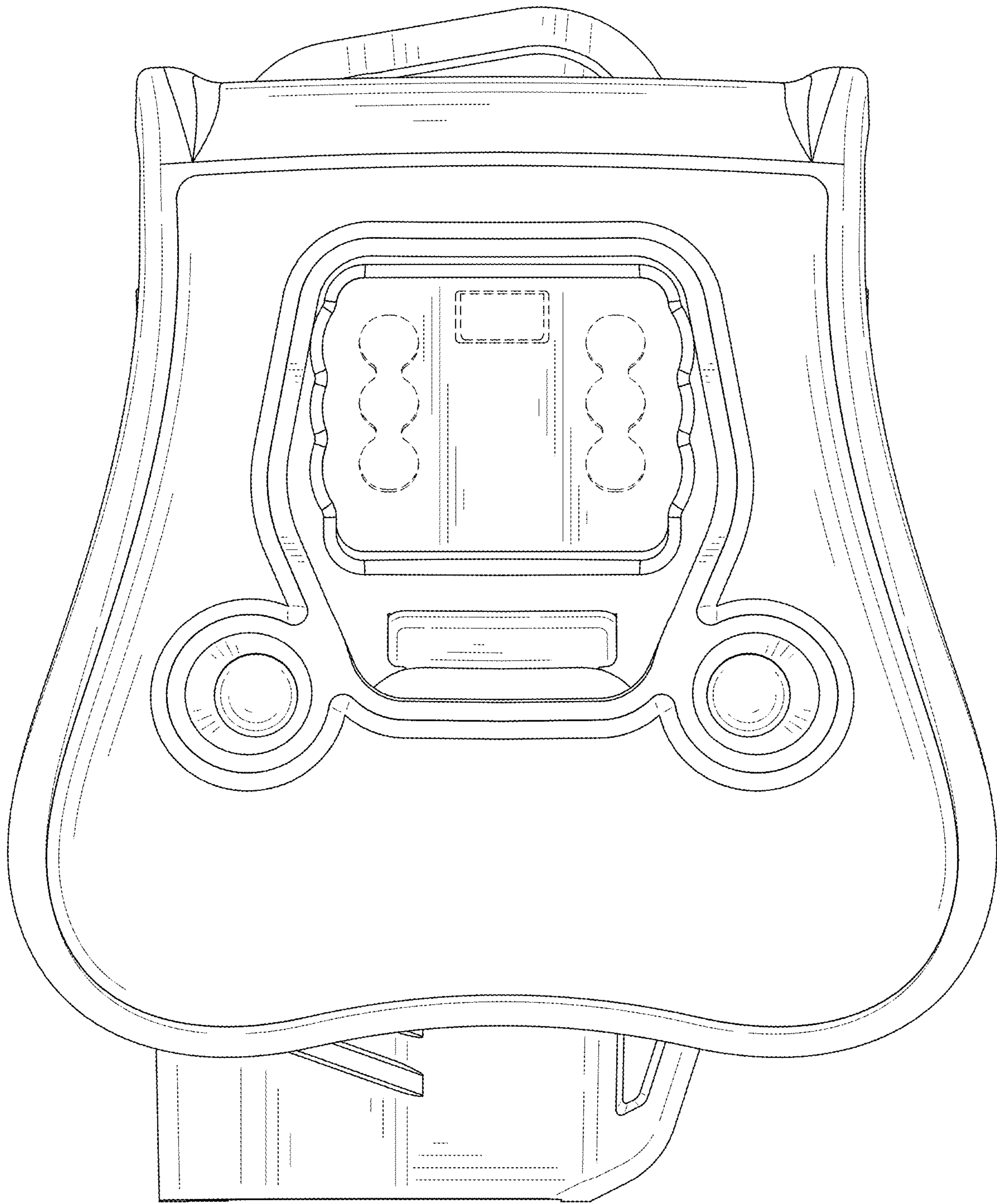


FIG. 4

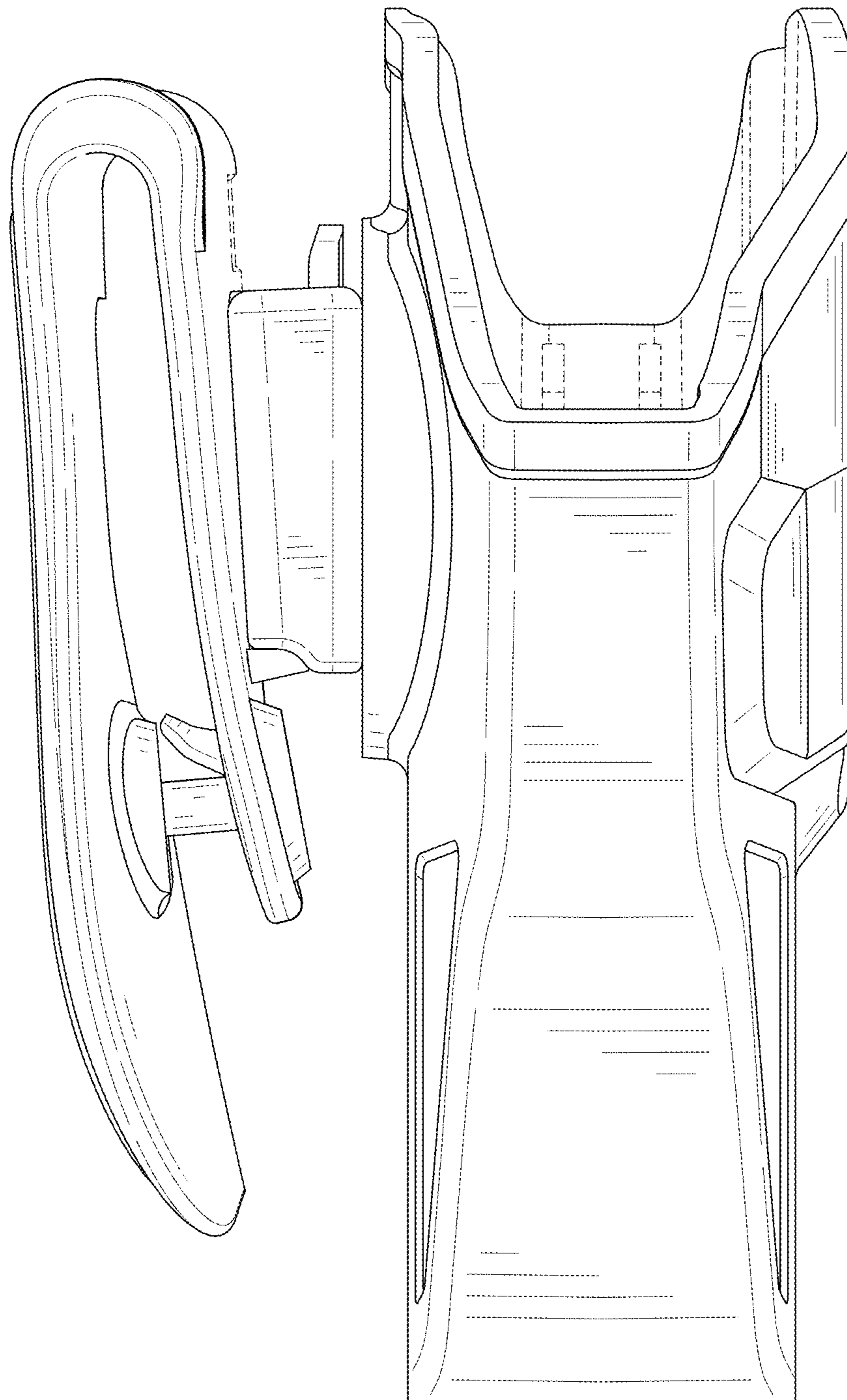


FIG. 5

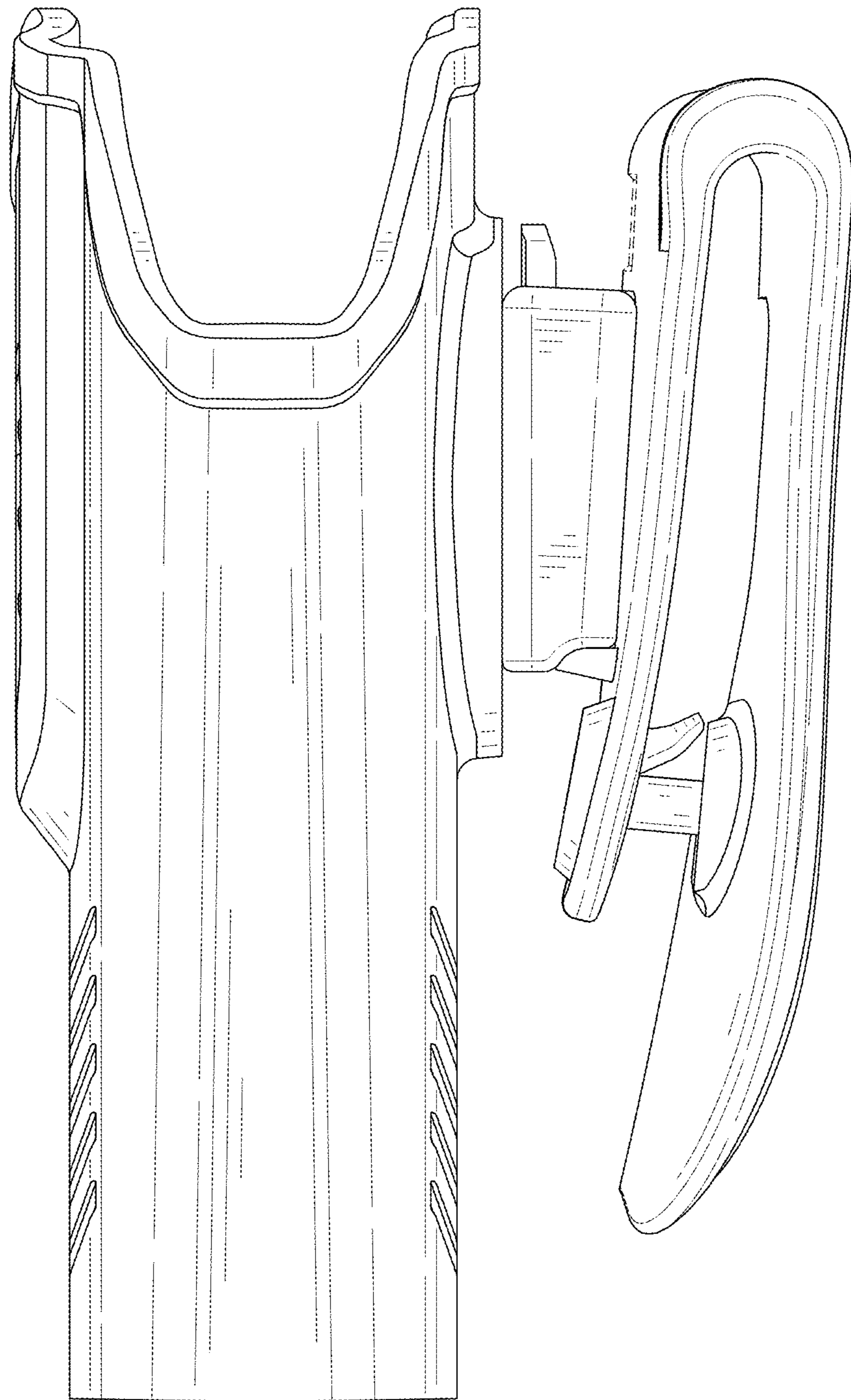


FIG. 6

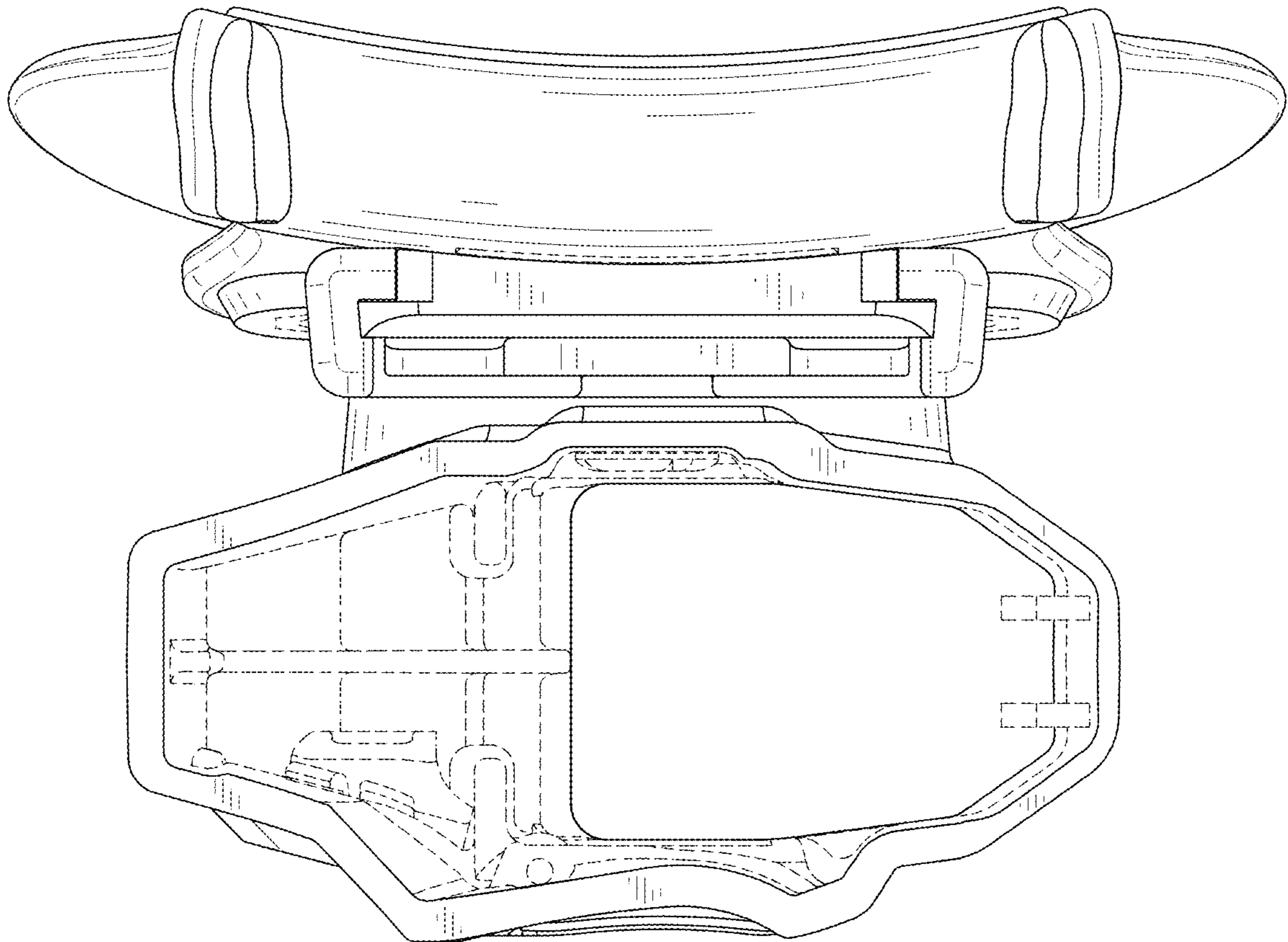


FIG. 7

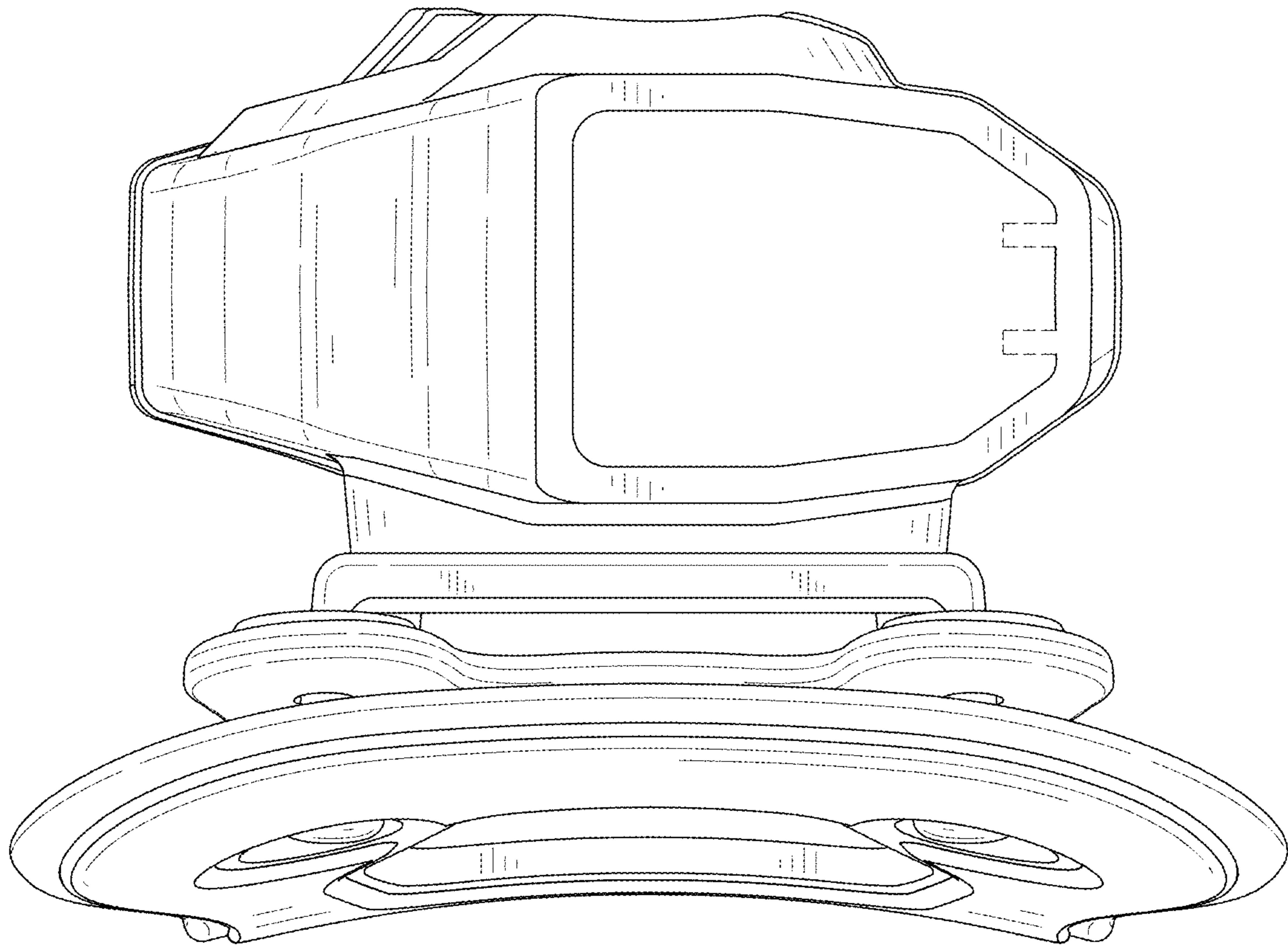


FIG. 8