



US00D874130S

(12) **United States Design Patent**  
**Haygood et al.**

(10) **Patent No.:** **US D874,130 S**

(45) **Date of Patent:** **\*\* Feb. 4, 2020**

(54) **HANDGUN HOLSTER**

(71) Applicants: **Robert D. Haygood**, Hockley, TX (US); **David Click**, Buda, TX (US)

(72) Inventors: **Robert D. Haygood**, Hockley, TX (US); **David Click**, Buda, TX (US)

(73) Assignee: **Robert D. Haygood**, Copperas Cove, TX (US)

(\*\*) Term: **15 Years**

(21) Appl. No.: **29/645,595**

(22) Filed: **Apr. 27, 2018**

**Related U.S. Application Data**

(63) Continuation of application No. 15/049,023, filed on Feb. 20, 2016.

(51) **LOC (12) Cl.** ..... **03-01**

(52) **U.S. Cl.**  
USPC ..... **D3/222**

(58) **Field of Classification Search**

USPC ..... D3/222-223, 269, 221, 215, 225, 230; 224/191-193, 197-198, 238, 243, 244, 224/246, 349, 587, 665, 682, 901.4, 224/911-912; D22/108, 199; 42/106; 89/34

CPC ..... A41D 13/0012; F42B 39/02; F41C 33/02; F41C 33/06; F41C 33/045; F41C 33/048; F41C 33/0227; F41C 33/0209; F41C  
(Continued)

(56) **References Cited**

**U.S. PATENT DOCUMENTS**

D773,806 S \* 12/2016 Laemmlen ..... F41C 33/048  
D3/222

D780,438 S \* 3/2017 Marques ..... D3/222  
(Continued)

*Primary Examiner* — Catherine R Oliver-Garcia

(74) *Attorney, Agent, or Firm* — DeLizio Law, PLLC

(57) **CLAIM**

The ornamental design for a handgun holster, as shown and described.

**DESCRIPTION**

A portion of the disclosure of this patent document contains material which is subject to copyright protection. The copyright owner has no objection to the facsimile reproduction by anyone of the patent disclosure, as it appears in the Patent and Trademark Office patent files or records, but otherwise reserves all copyright rights whatsoever. Copyright 2018.

FIG. 1 is front and top perspective view of a first embodiment of the handgun holster;

FIG. 2 is a front and top perspective view of the first embodiment of the handgun holster;

FIG. 3 is a front and top perspective view of a second embodiment of the handgun holster;

FIG. 4 is a front and top perspective view of a third embodiment of the handgun holster;

FIG. 5 is a front and top perspective view of a fourth embodiment of the handgun holster;

FIG. 6 is a rear elevation view of the first embodiment of the handgun holster;

FIG. 7 is a front elevation view of the first embodiment of the handgun holster;

FIG. 8 is a side elevation view;

FIG. 9 is an opposite side elevation view;

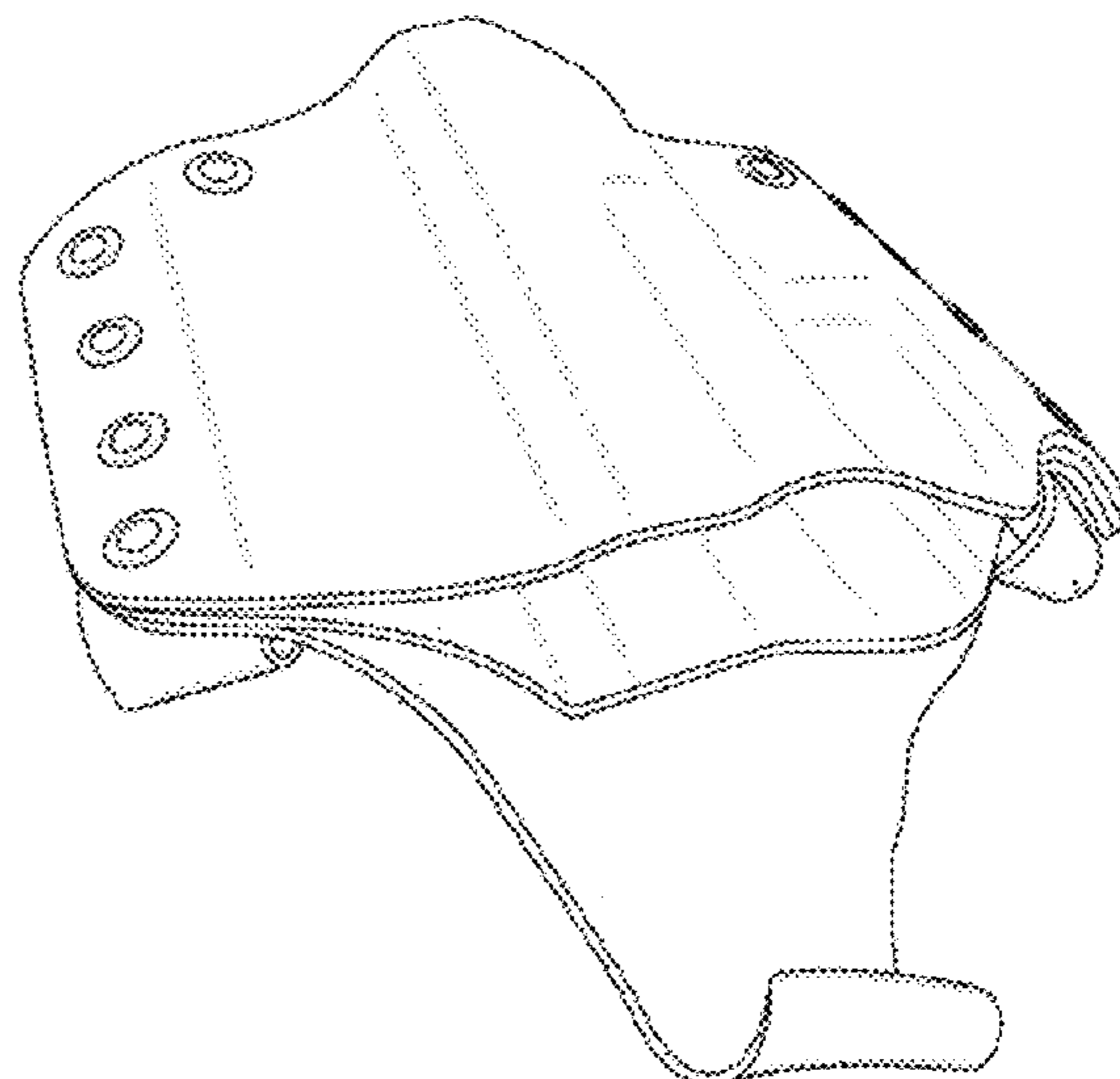
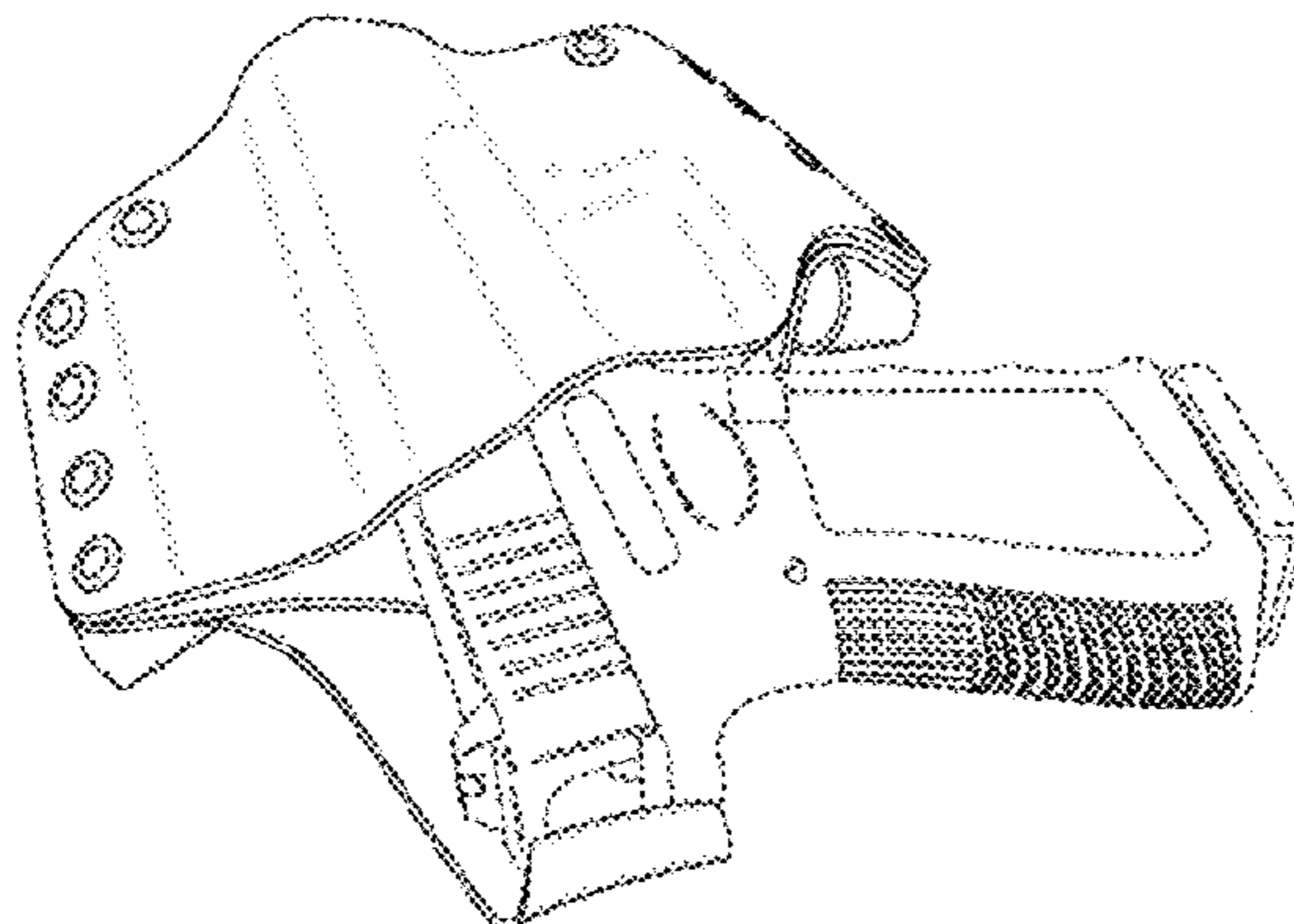
FIG. 10 is a top plan view of the first embodiment of the handgun holster; and,

FIG. 11 is a bottom plan view.

The broken lines depict environmental structure and are for illustrative purposes only and form no part of the claimed design.

The only difference between the embodiments is the change in shape of the flap portion of the holster that covers the rear sight of the gun.

**1 Claim, 7 Drawing Sheets**



(58) **Field of Classification Search**

CPC ..... 33/0263; A45F 5/00; A45F 5/021; A45F  
5/022; A45F 2200/025; A45F 2200/0591  
See application file for complete search history.

(56) **References Cited**

U.S. PATENT DOCUMENTS

2001/0032406 A1\* 10/2001 Yirmiyahu ..... F41C 33/0227  
42/70.11  
2014/0027485 A1\* 1/2014 Van Heusen ..... F41C 33/0209  
224/587

\* cited by examiner

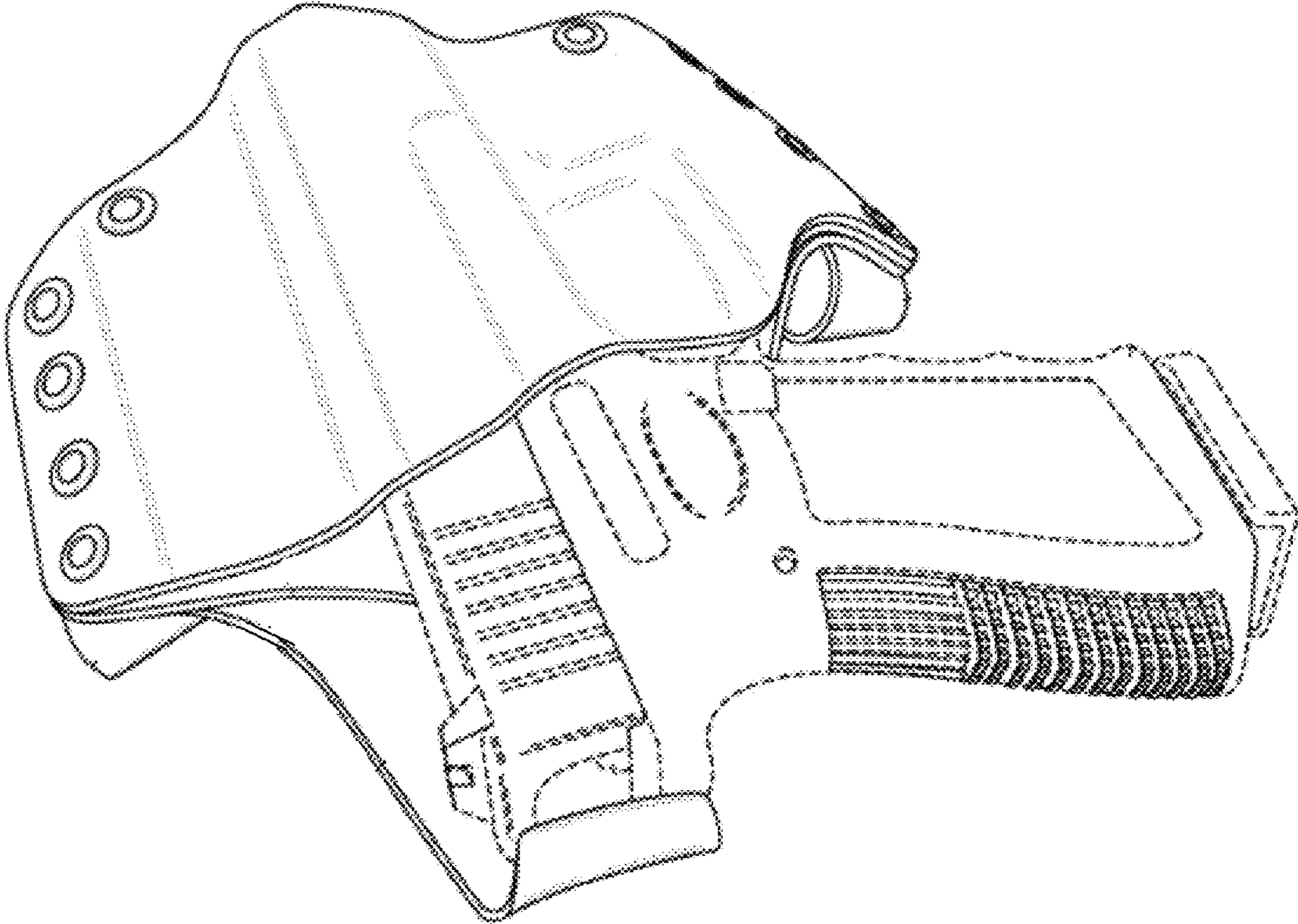


FIG. 1

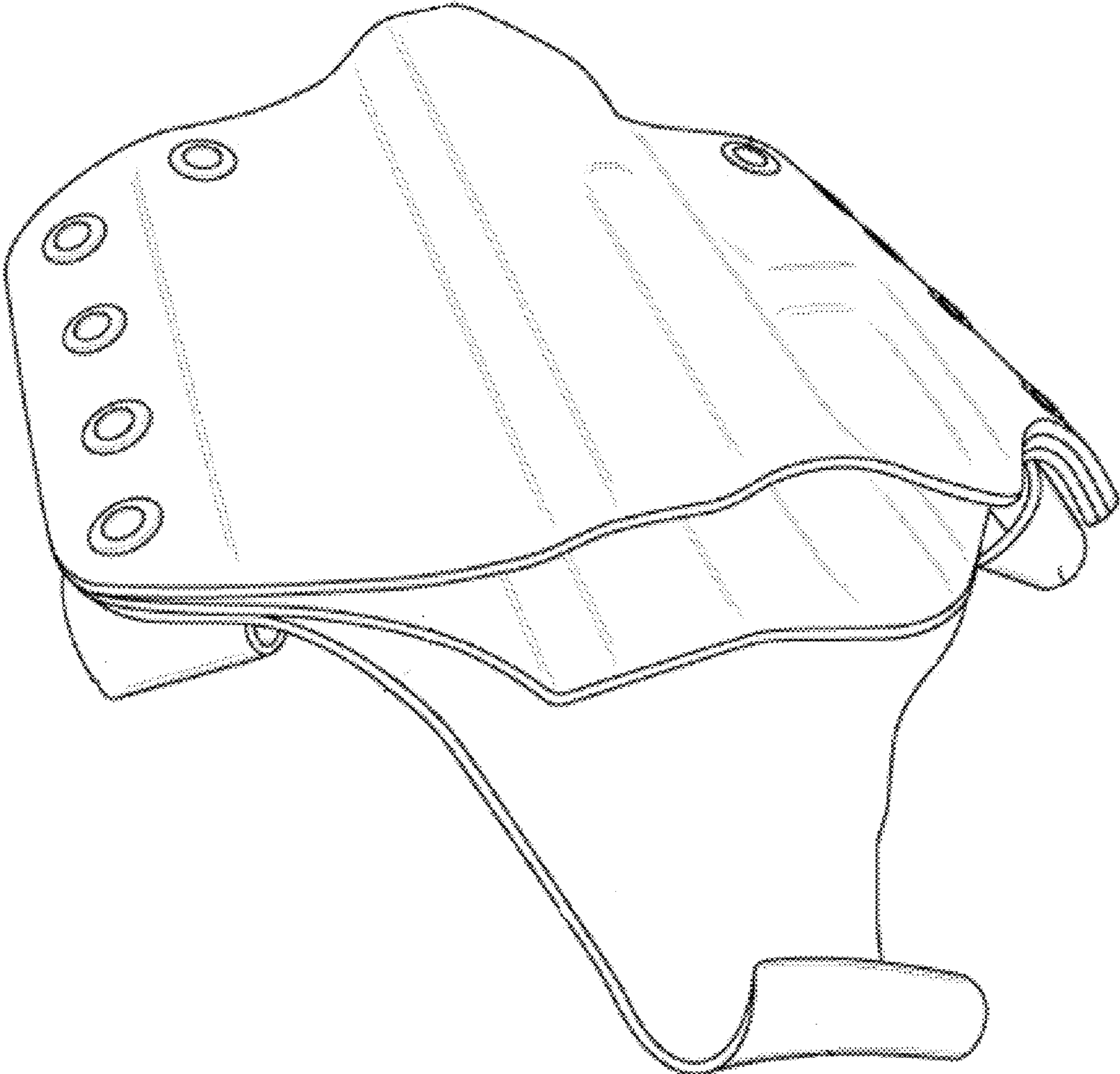


FIG. 2

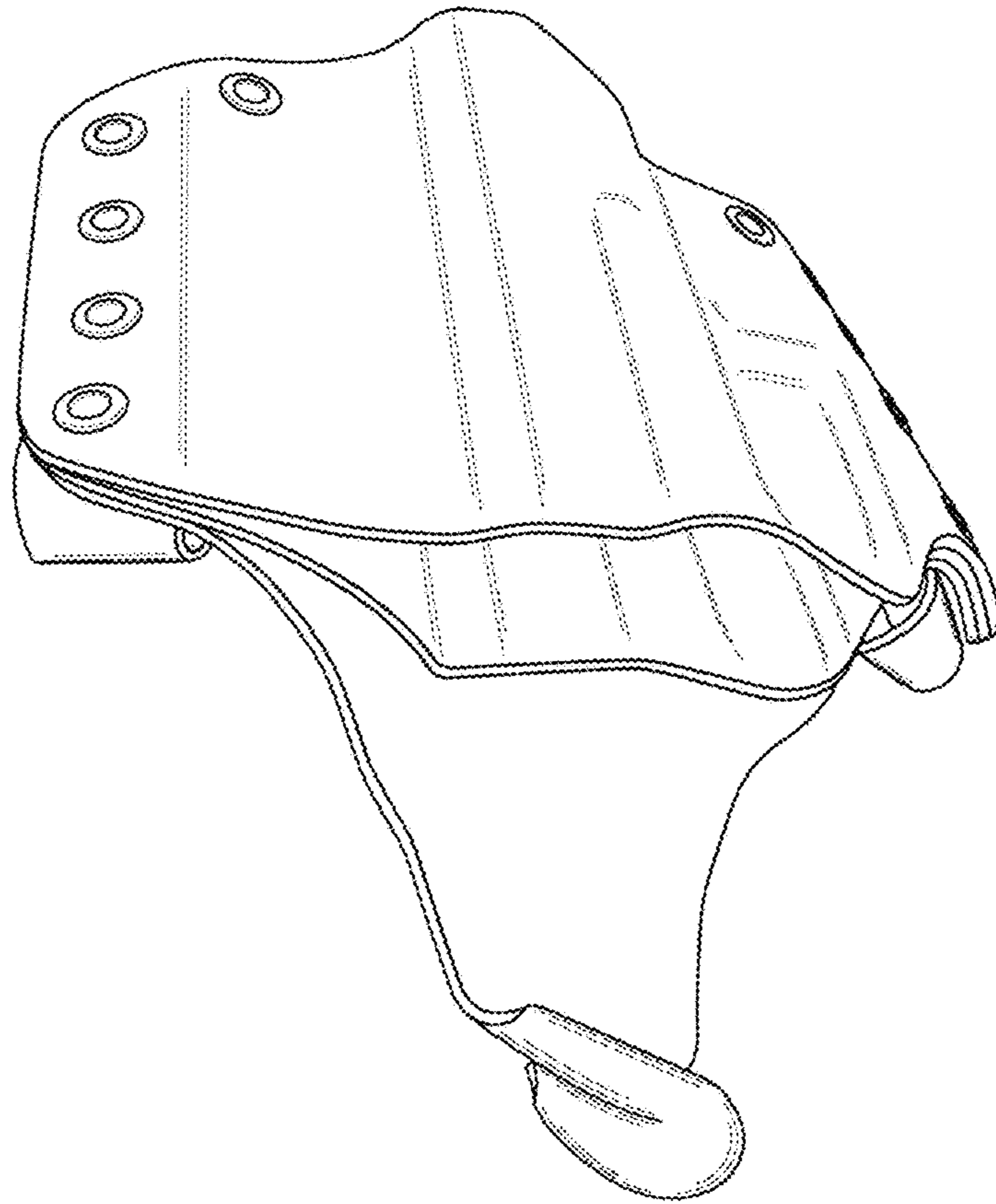


FIG. 3

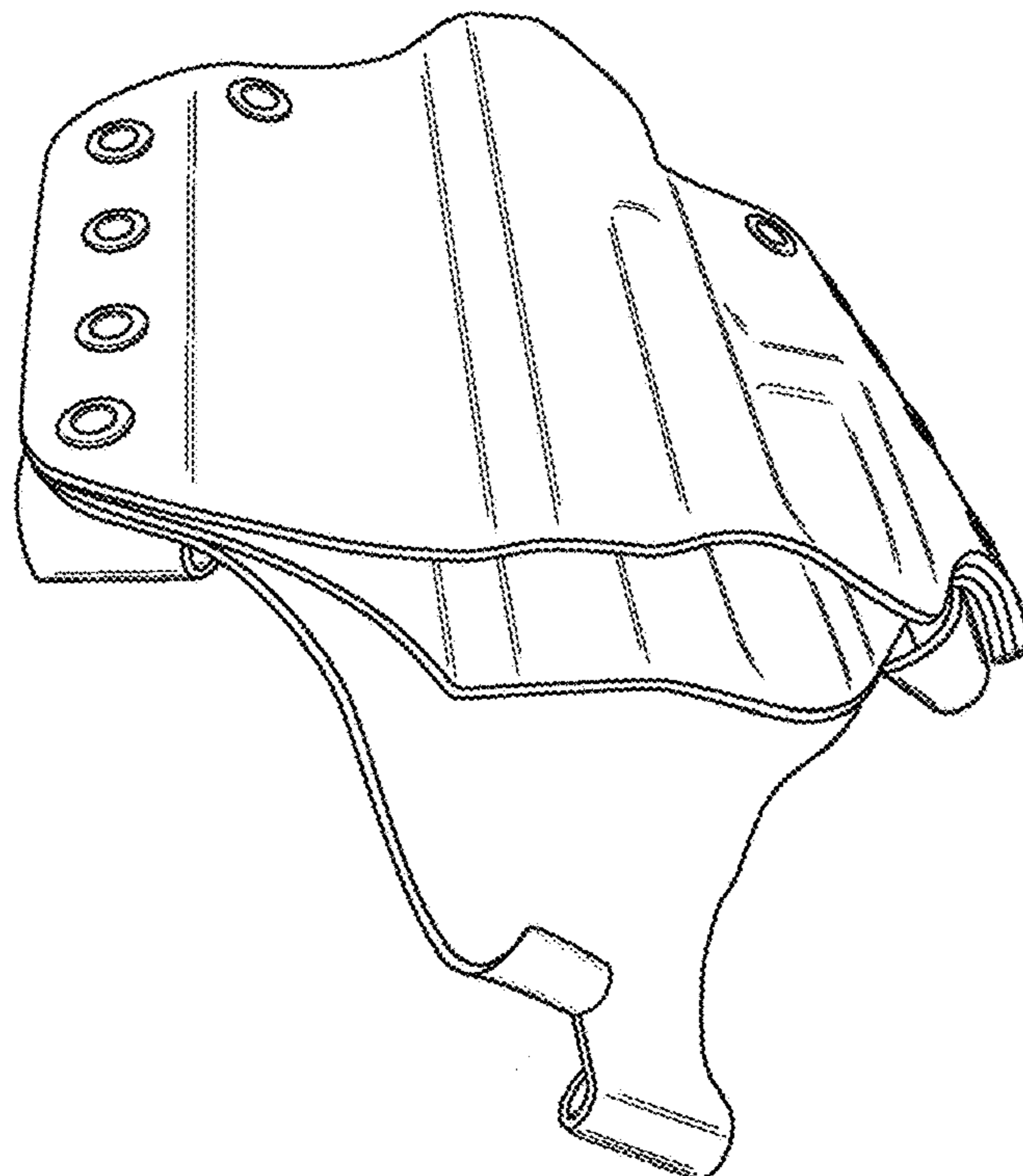


FIG. 4

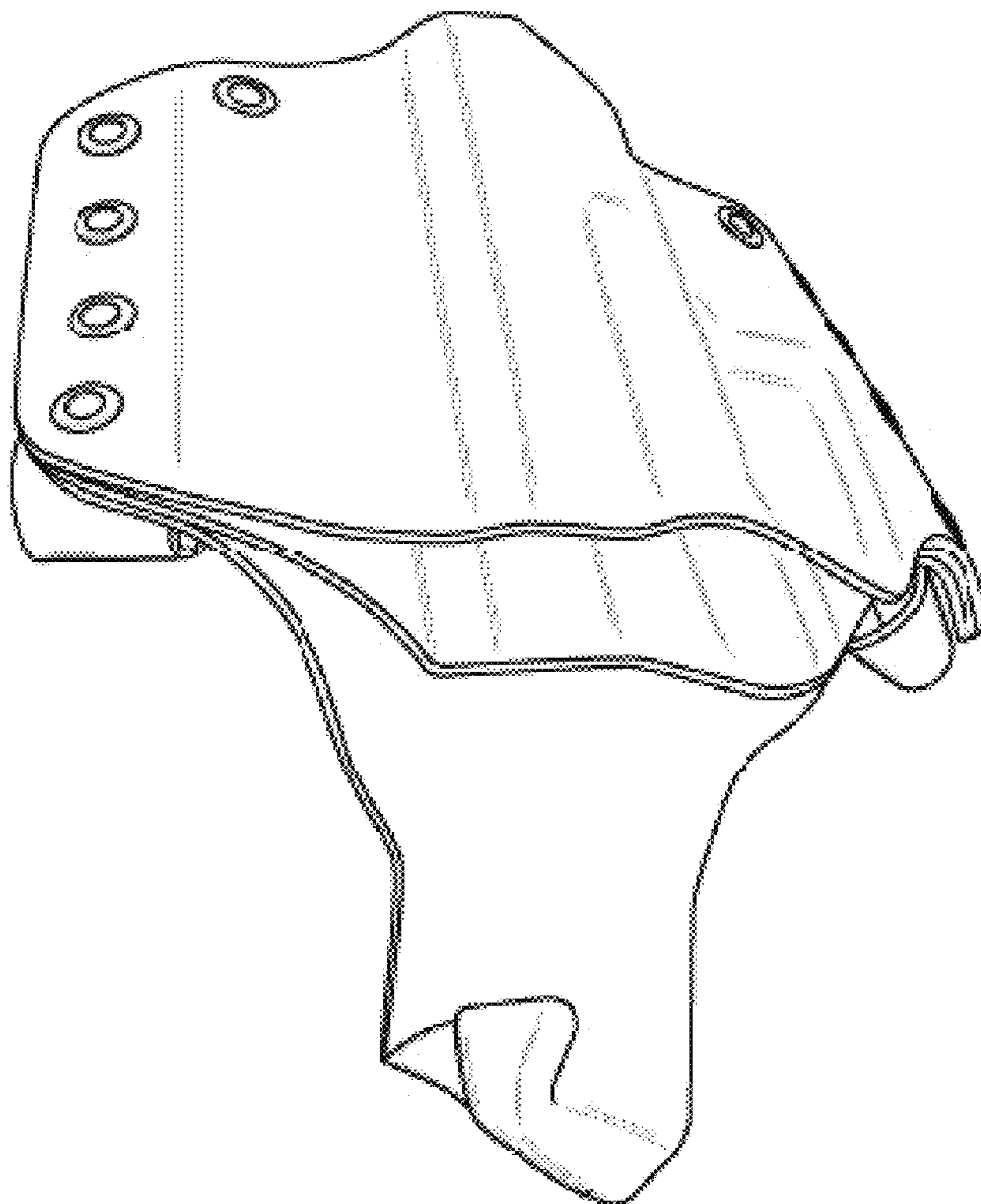


FIG. 5

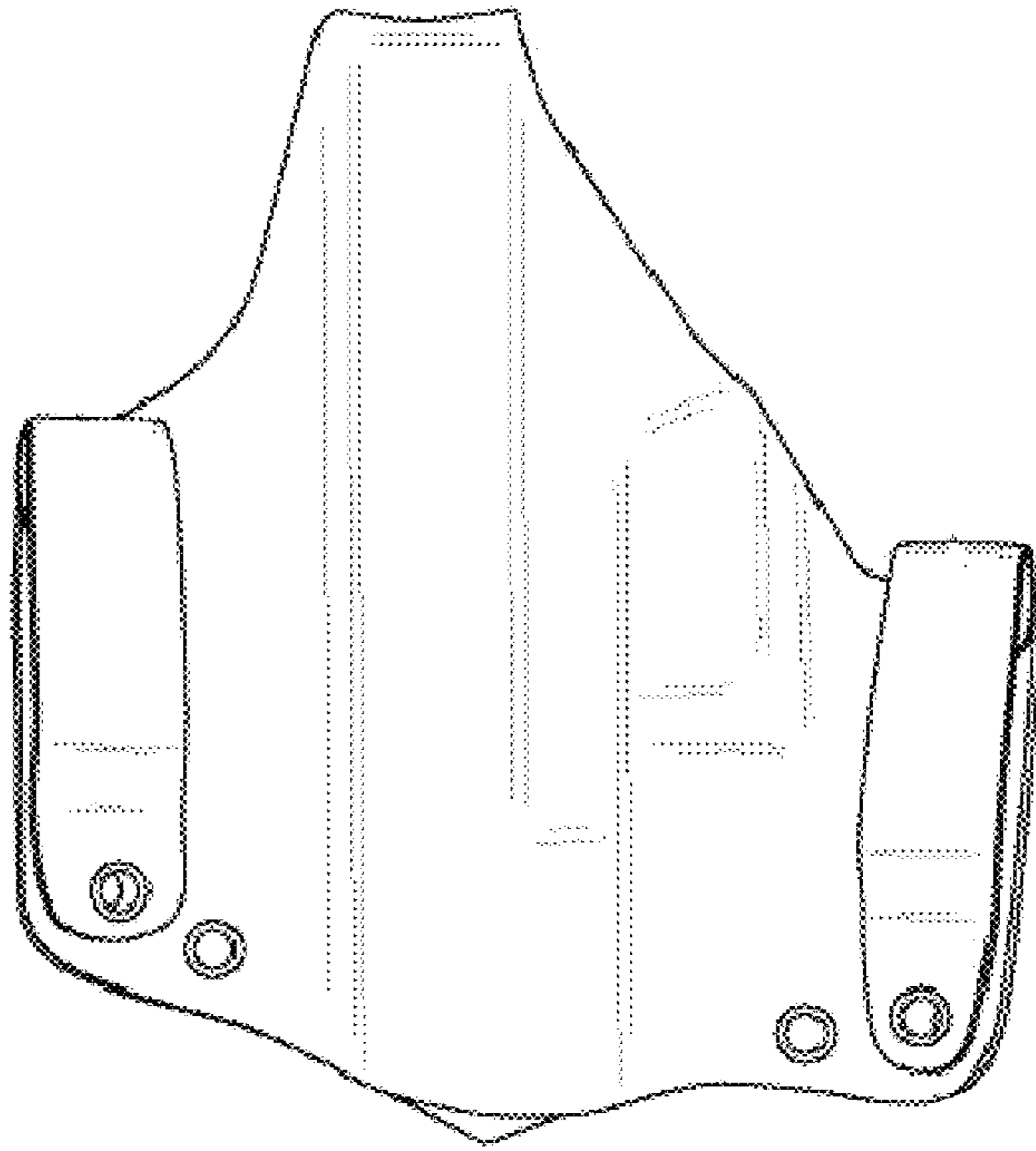


FIG. 6

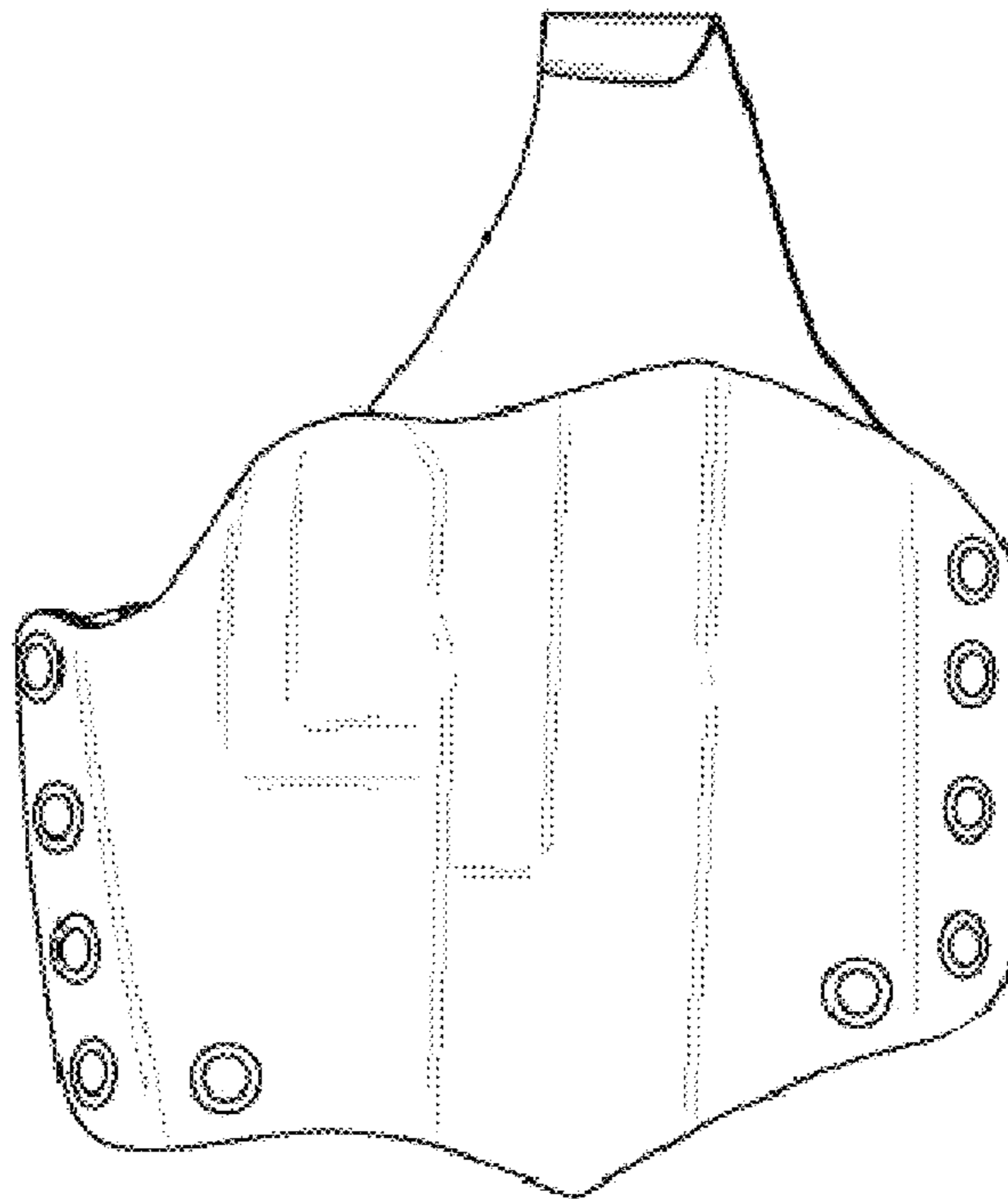


FIG. 7

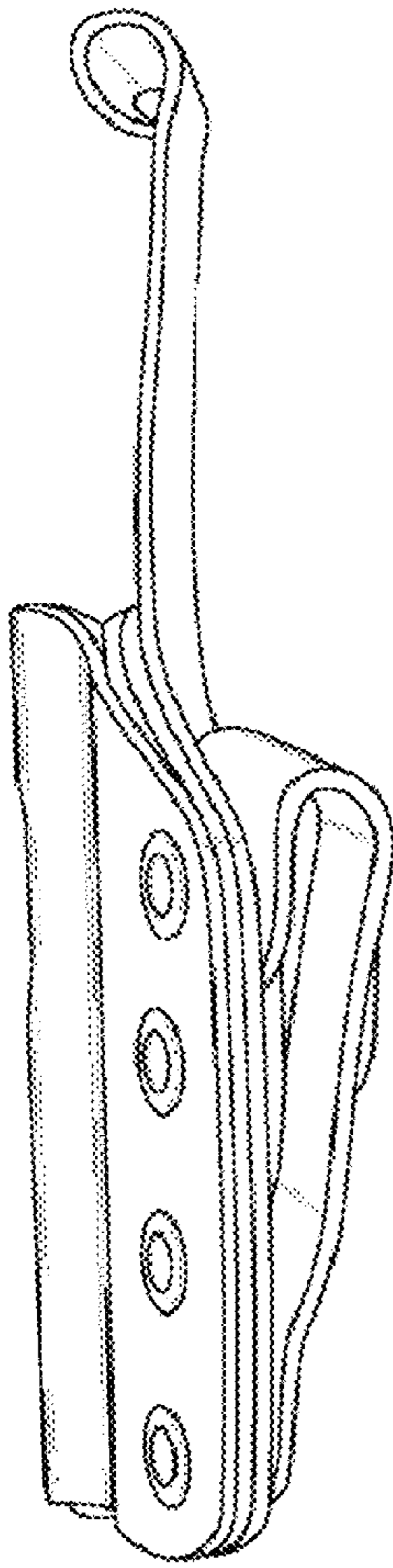


FIG. 8

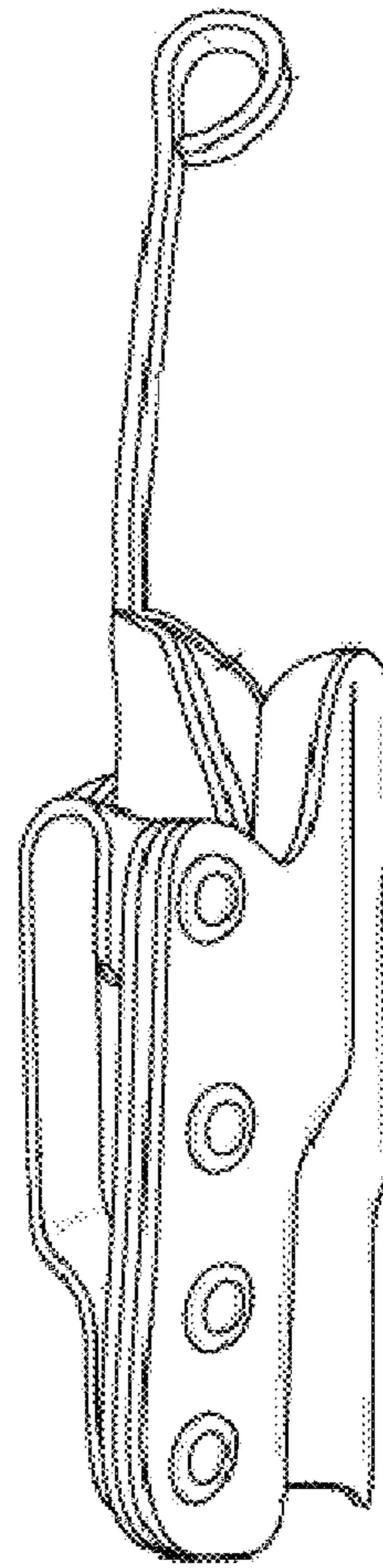


FIG. 9



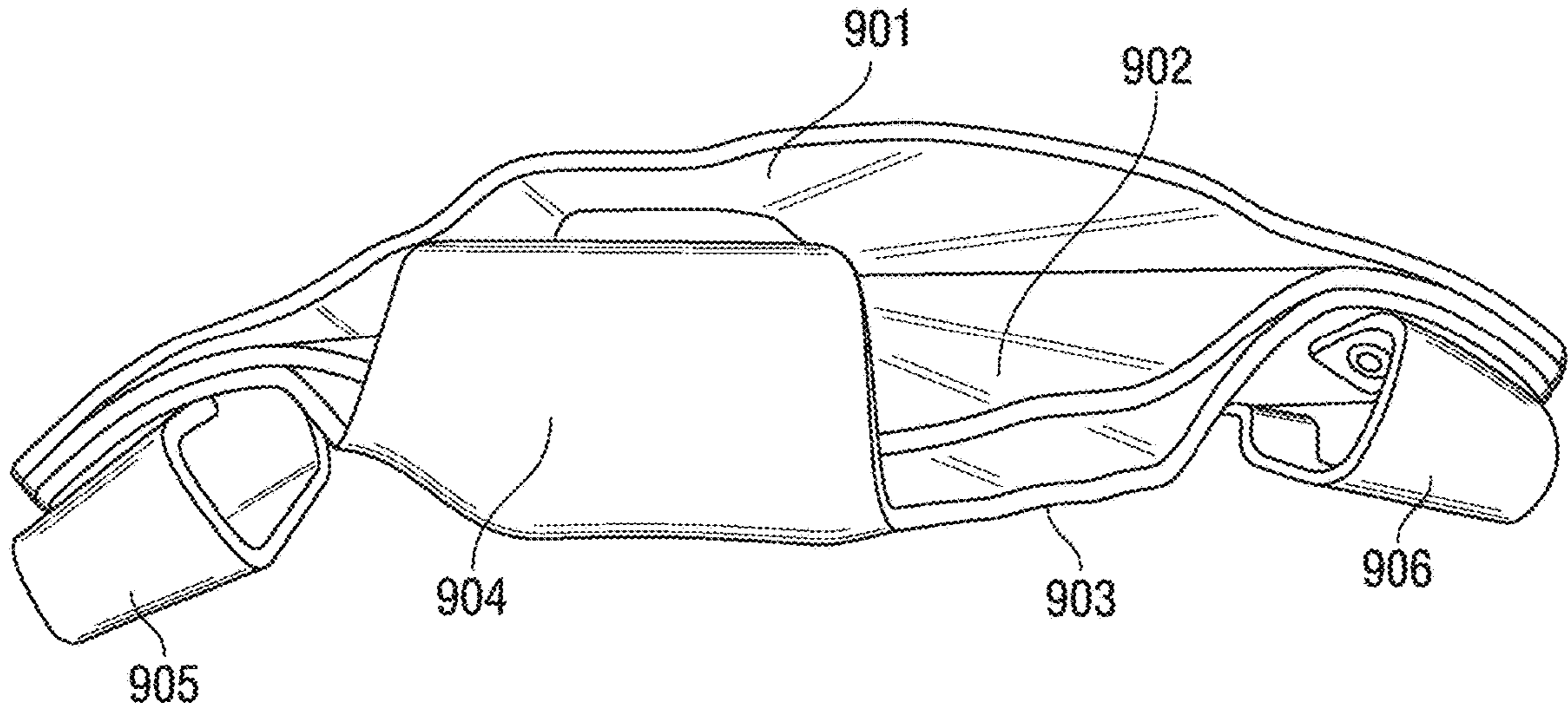


FIG. 10

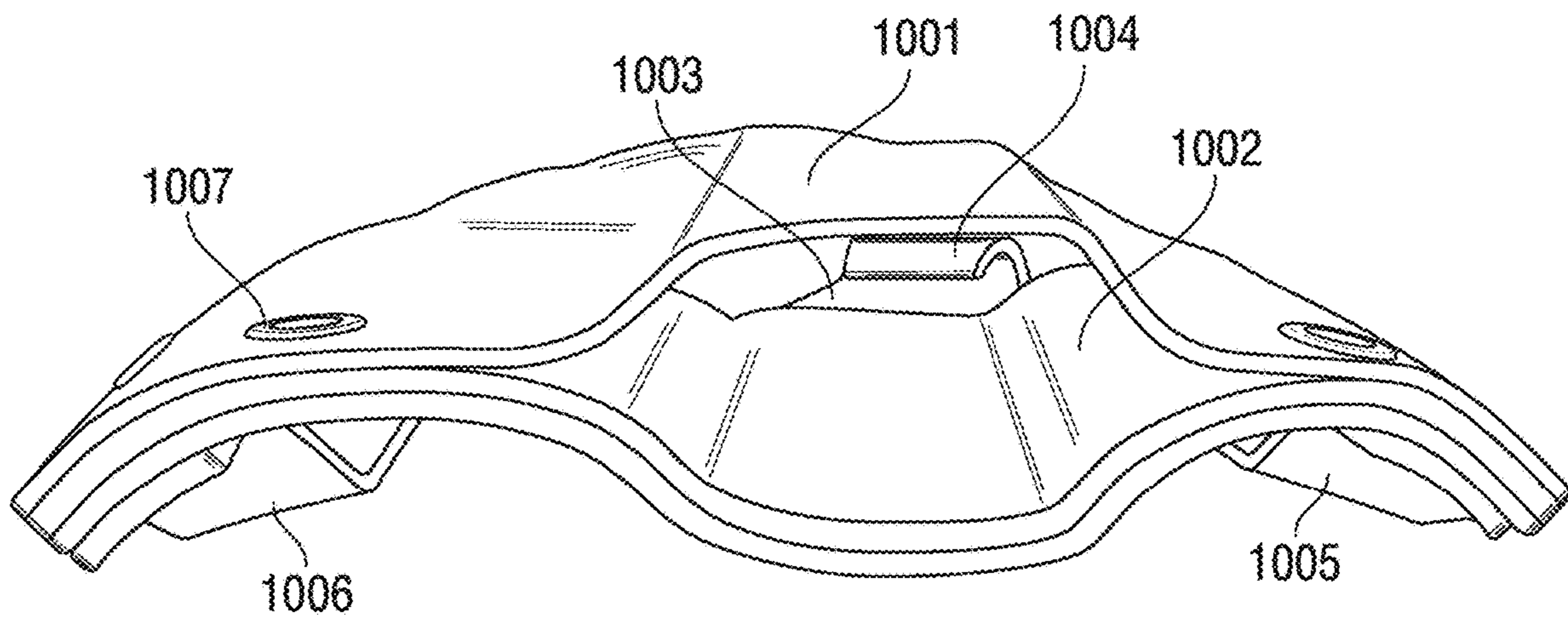


FIG. 11