



US00D874129S

(12) **United States Design Patent**
Goldstein

(10) **Patent No.:** **US D874,129 S**

(45) **Date of Patent:** **** Feb. 4, 2020**

(54) **BACKPACK**

(71) Applicant: **Avraham Goldstein**, Flushing, NY
(US)

(72) Inventor: **Avraham Goldstein**, Flushing, NY
(US)

(**) Term: **15 Years**

(21) Appl. No.: **29/646,225**

(22) Filed: **May 2, 2018**

(51) **LOC (12) Cl.** **03-01**

(52) **U.S. Cl.**
USPC **D3/217**

(58) **Field of Classification Search**
USPC D3/215-217, 273, 289, 290, 318, 321,
D3/322, 323, 243, 244, 246
CPC .. A45F 3/04; A45F 3/042; A45F 3/047; A45F
3/08; A45F 3/10; A45F 3/14; A45F 4/02;
A45F 4/08; A45F 2200/05; A45F
2200/0525; A45C 13/08; A45C 13/083
See application file for complete search history.

(56) **References Cited**

U.S. PATENT DOCUMENTS

D441,190 S *	5/2001	Eskandry	D3/216
D483,940 S *	12/2003	Dolan	D3/216
D635,762 S *	4/2011	Fahim	D3/217
D748,909 S *	2/2016	Wronski	D3/217
D787,816 S *	5/2017	Slimane	D3/217
D796,187 S *	9/2017	Bogue	D3/217
D819,545 S *	6/2018	O'Connor	D12/416
D821,742 S *	7/2018	Jusic	D3/217
D825,177 S *	8/2018	Pang	D3/217

D828,016 S *	9/2018	Gillespie	D3/217
D844,319 S *	4/2019	Tan	D3/217
2017/0020252 A1 *	1/2017	Chin	A45C 13/1069
2018/0206650 A1 *	7/2018	Kong	A47D 5/006

* cited by examiner

Primary Examiner — Barbara Fox

Assistant Examiner — Mary Shannon Malley

(57) **CLAIM**

I claim the ornamental design for a backpack, as shown and described.

DESCRIPTION

FIG. 1 is a perspective view of the backpack of the claimed design, showing the internal support platform in a deployed position;

FIG. 2 is a left side view of the backpack of FIG. 1;

FIG. 3 is a right side view of the backpack of FIG. 1;

FIG. 4 is a front side view of the backpack of FIG. 1;

FIG. 5 is a back side view of the backpack of FIG. 1;

FIG. 6 is a top side view of the backpack of FIG. 1;

FIG. 7 is a bottom side view of the backpack of FIG. 1;

FIG. 8 is a perspective view of the backpack of the claimed design, showing the internal support platform in a non-deployed position;

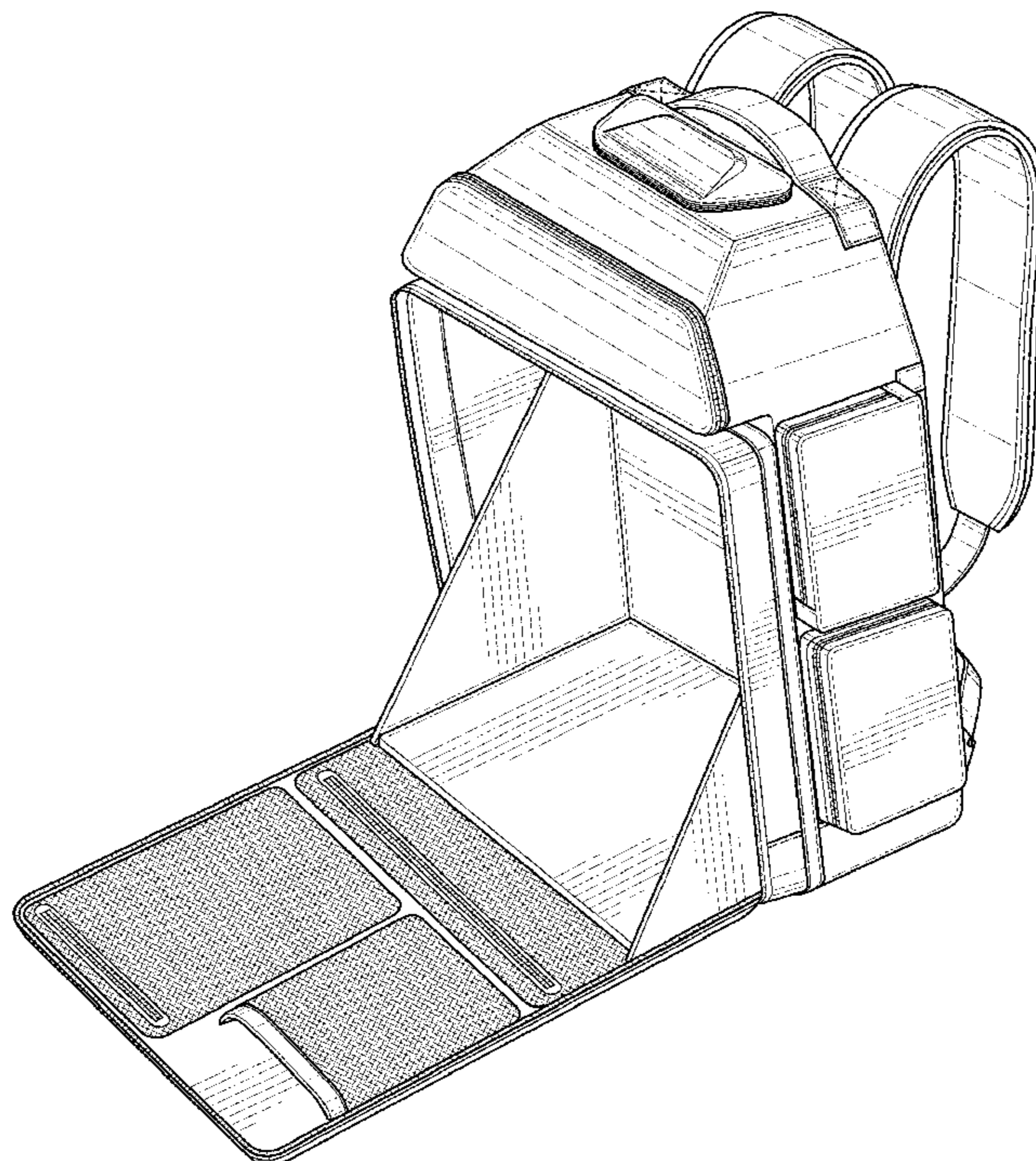
FIG. 9 is a front side view of the backpack of FIG. 8;

FIG. 10 is a right side view of the backpack of the claimed design, showing the backpack is an expanded position;

FIG. 11 is a perspective view of the backpack of FIG. 10; and,

FIG. 12 is a perspective view of the backpack of FIG. 10, showing the back flap in an open position and the internal support platform in a deployed position.

1 Claim, 12 Drawing Sheets



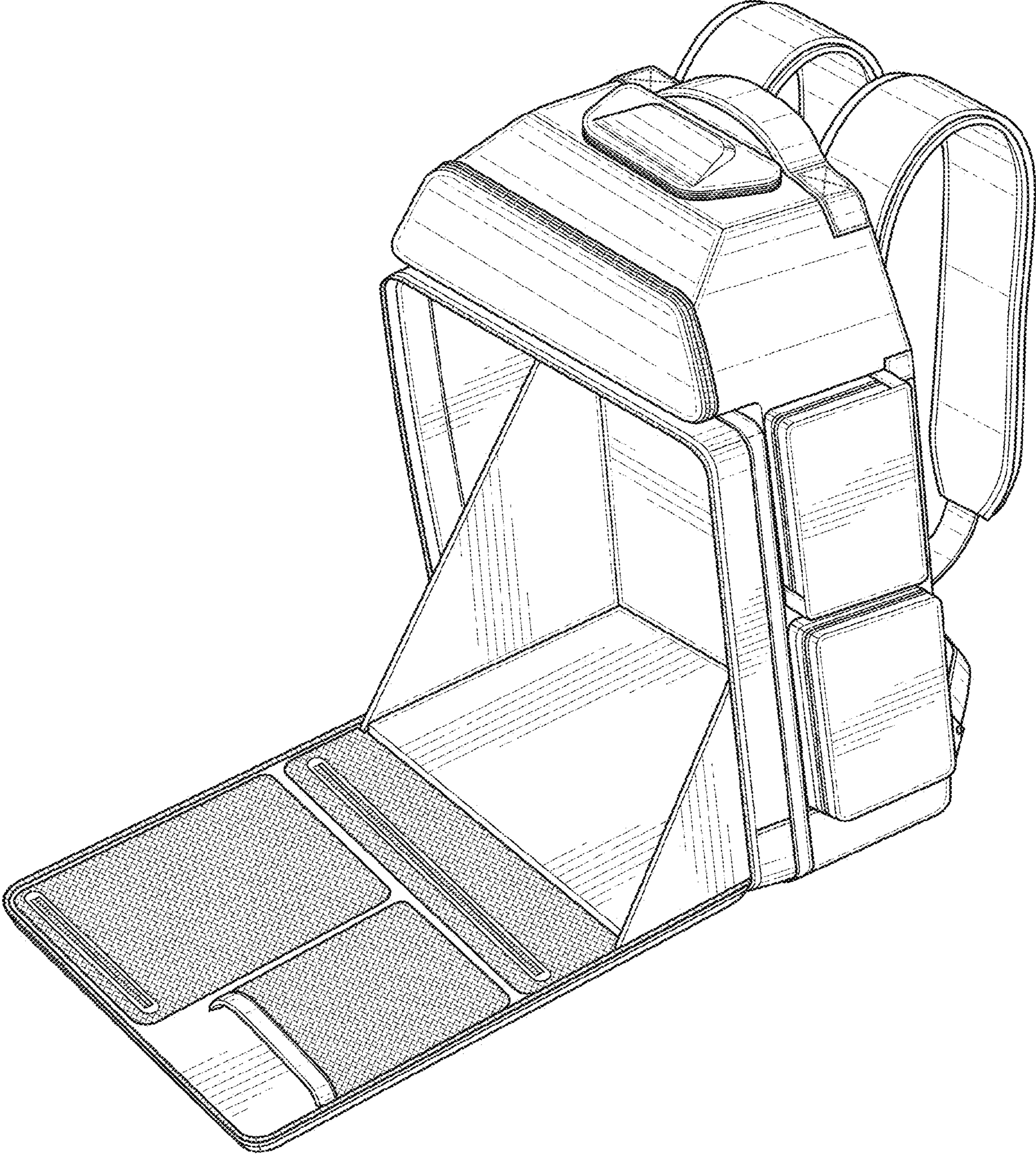


FIG. 1

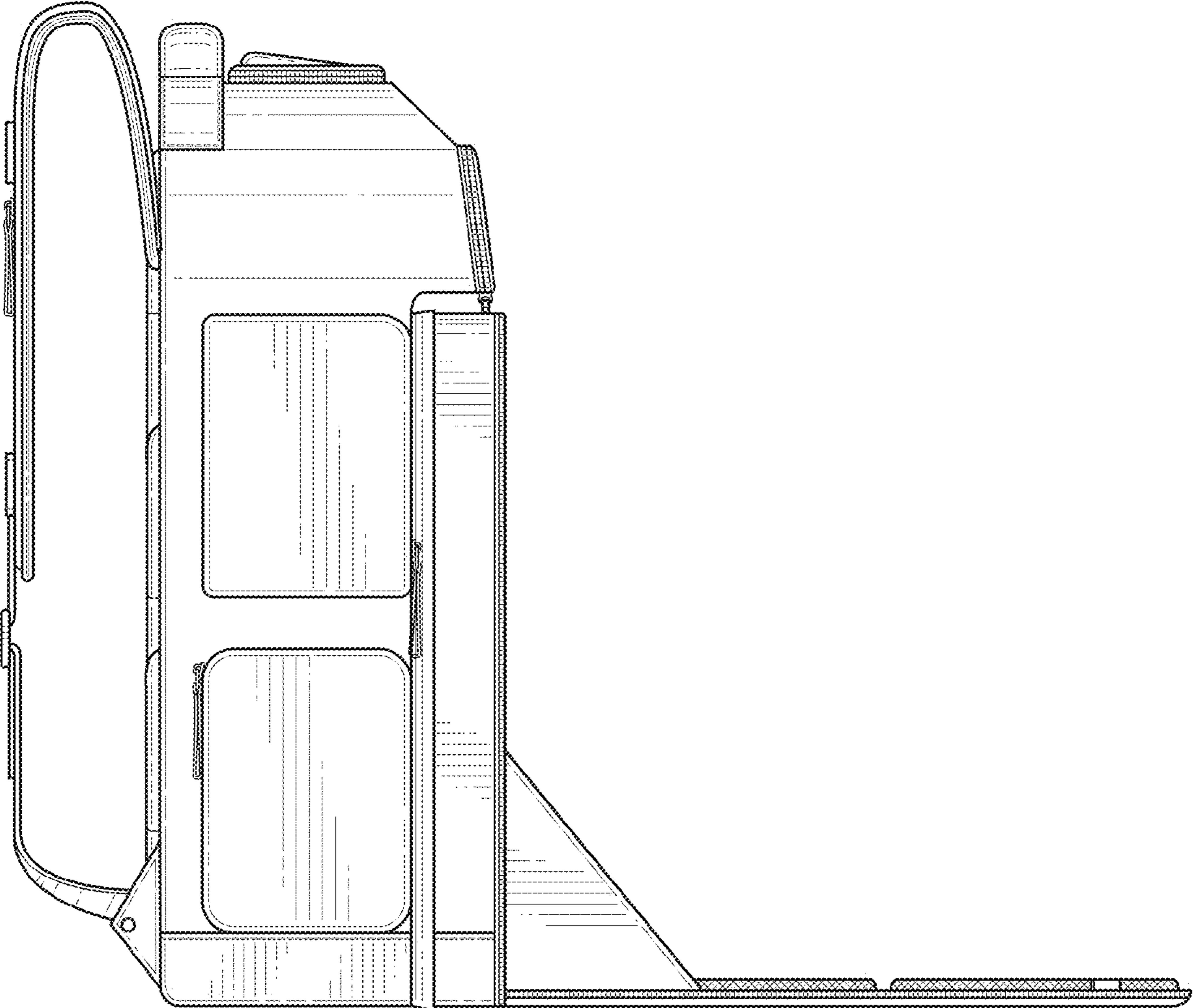


FIG. 2

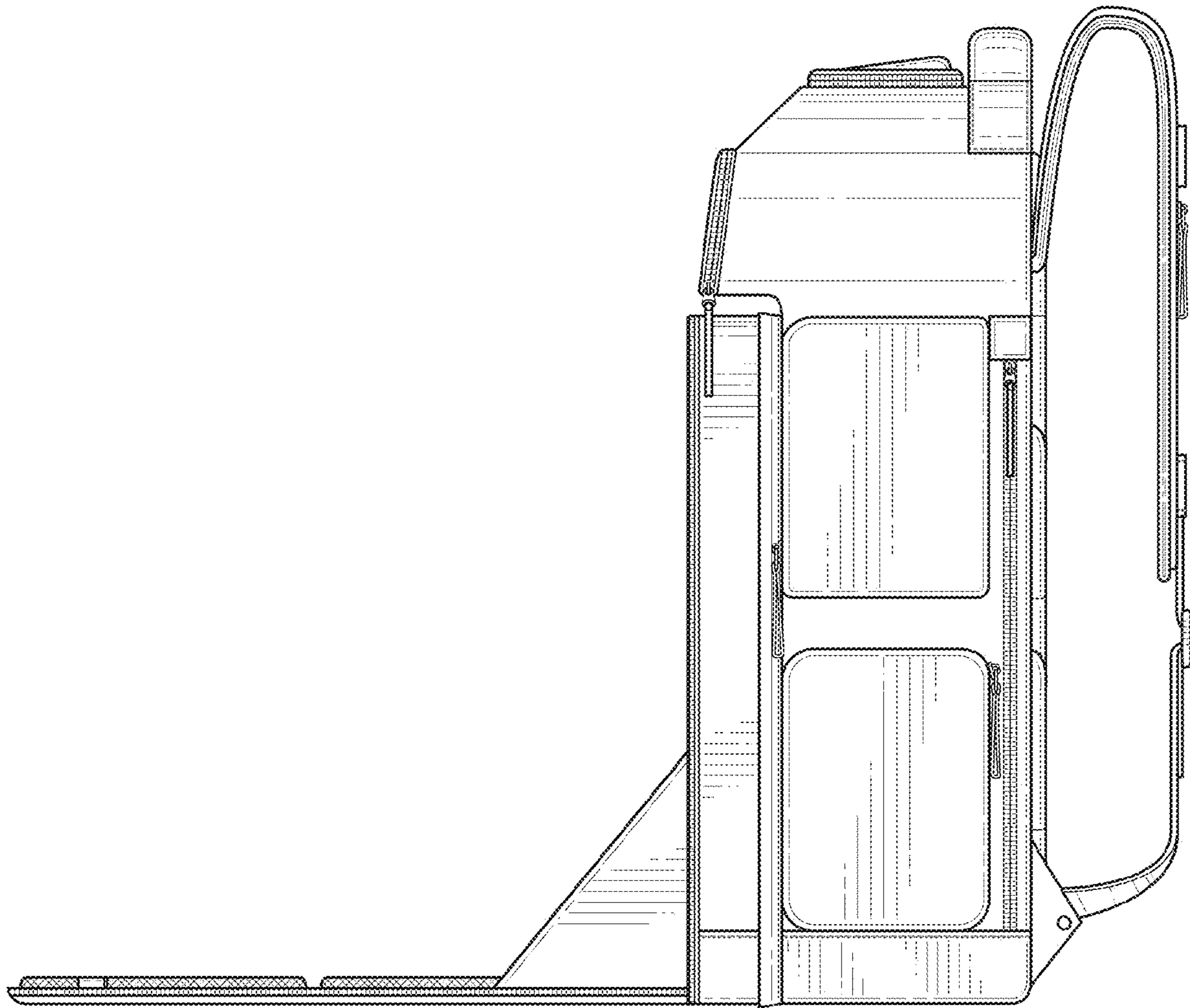


FIG. 3

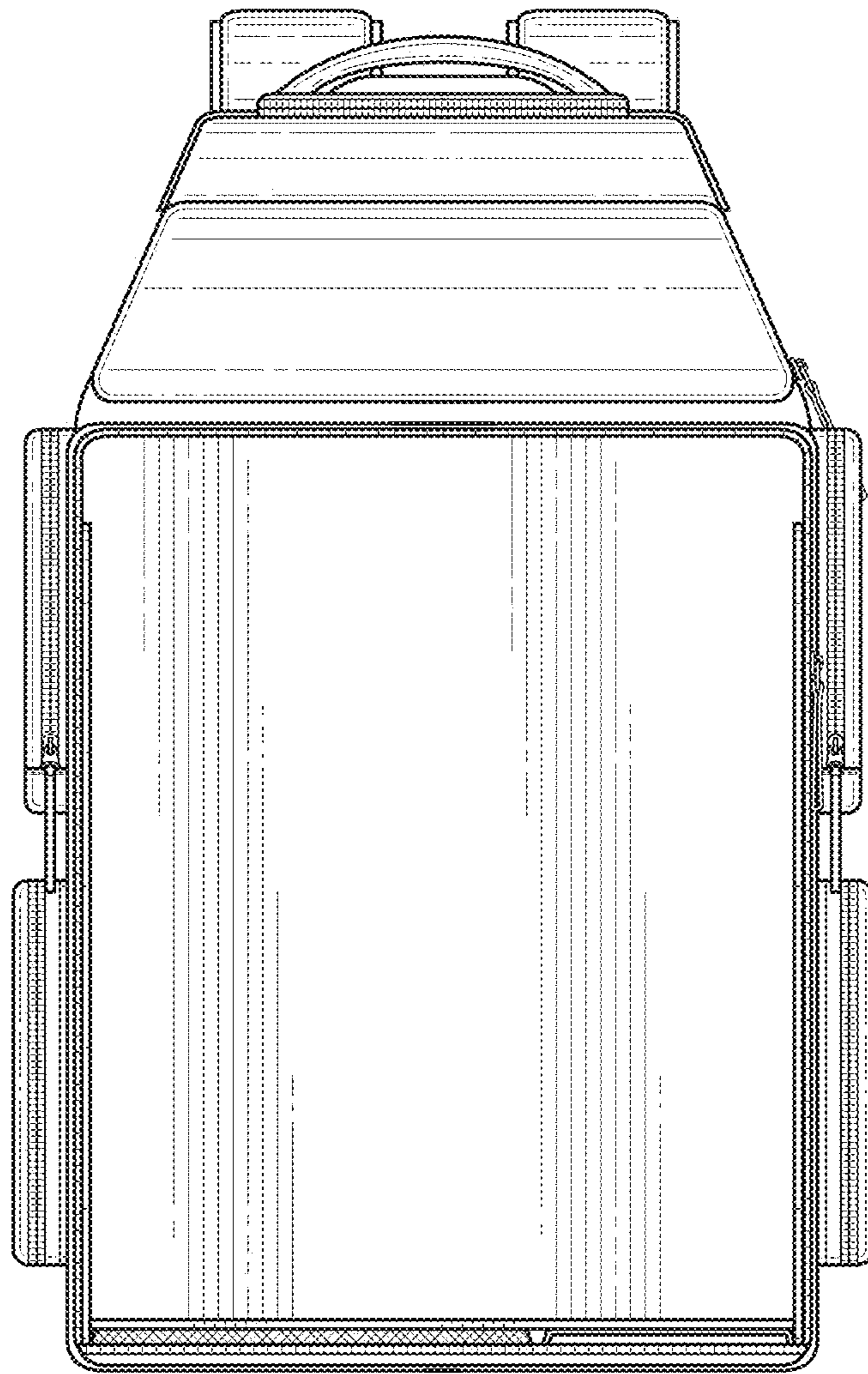


FIG. 4

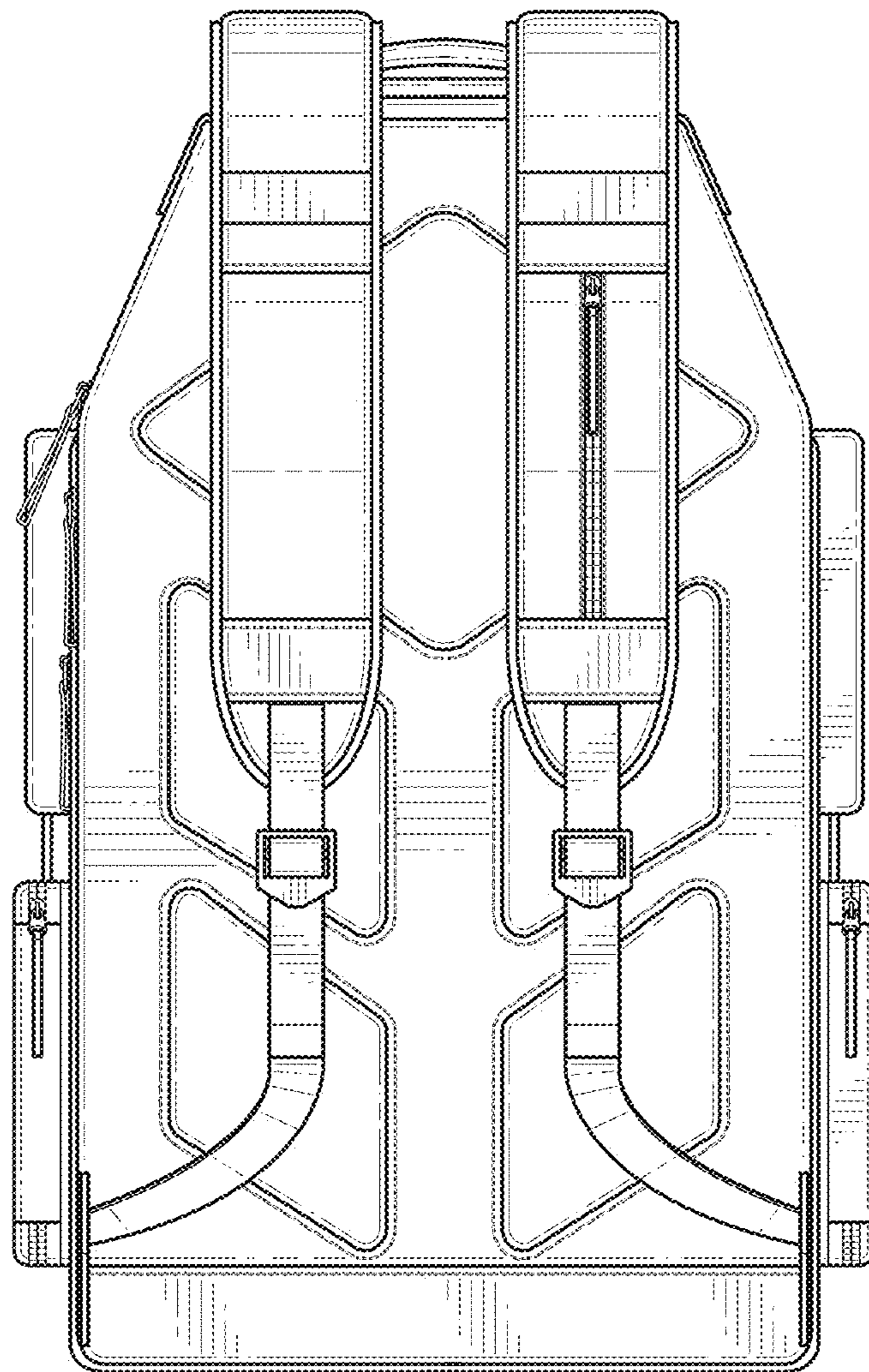


FIG. 5

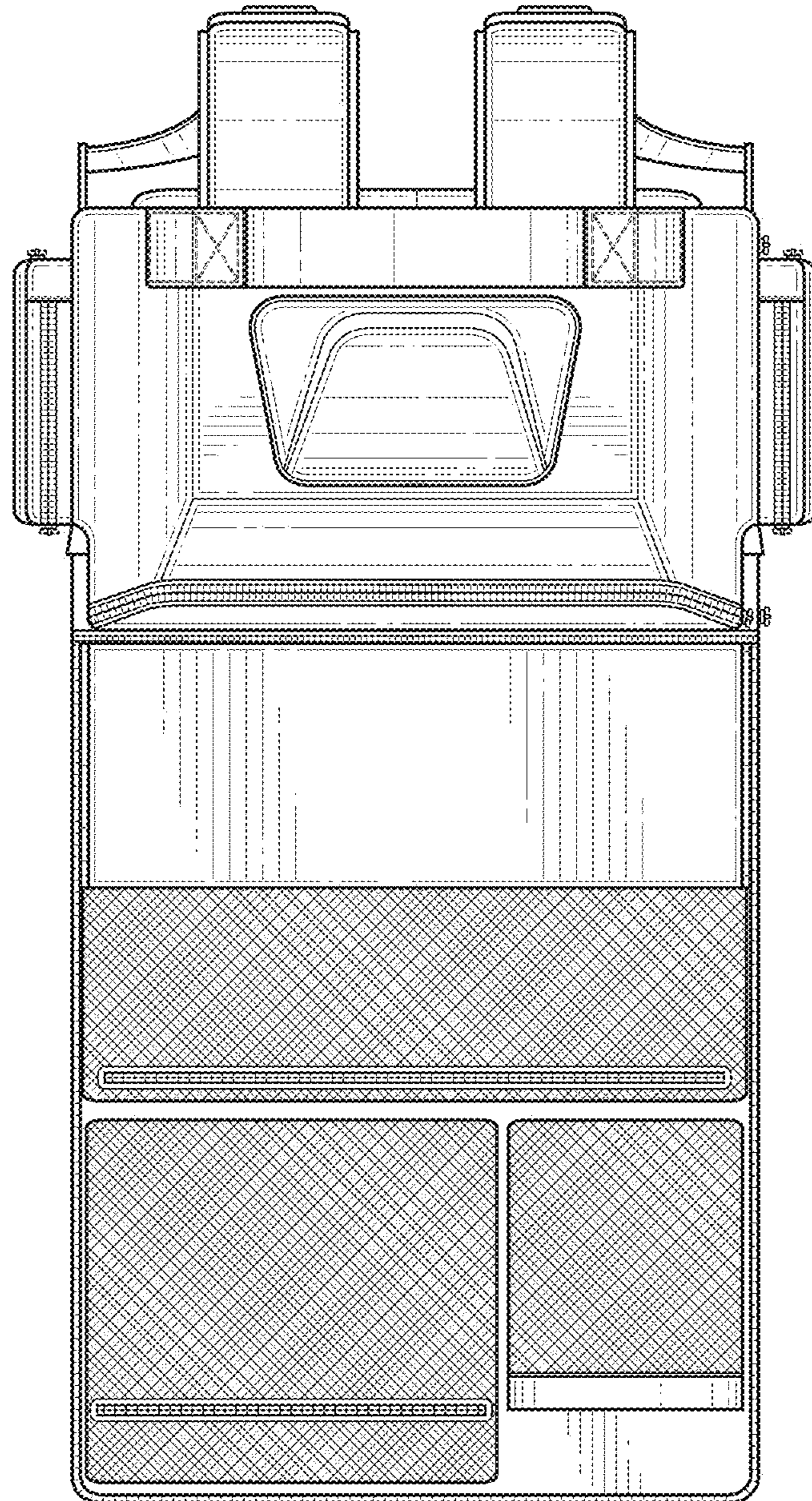


FIG. 6

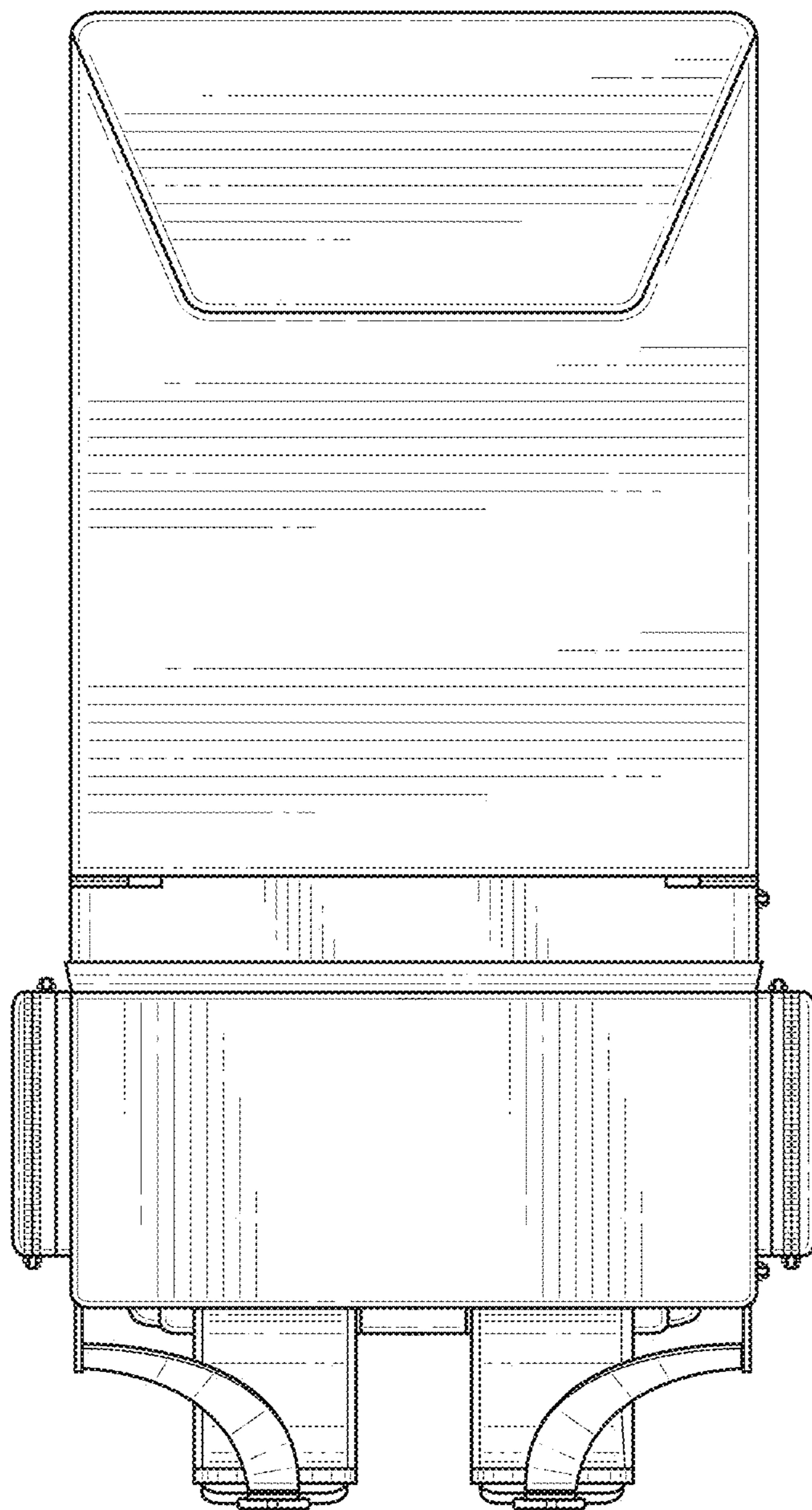


FIG. 7

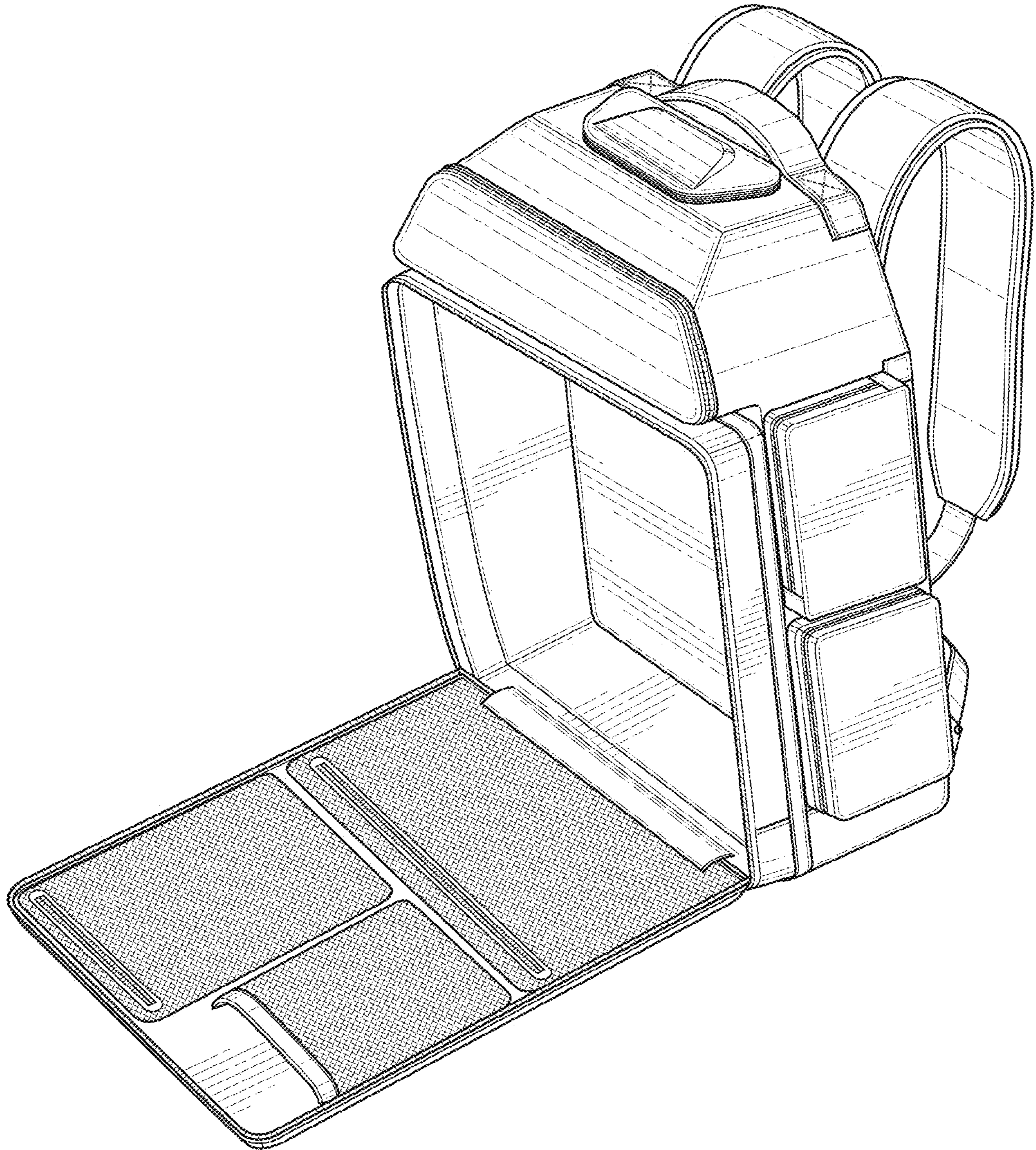


FIG. 8

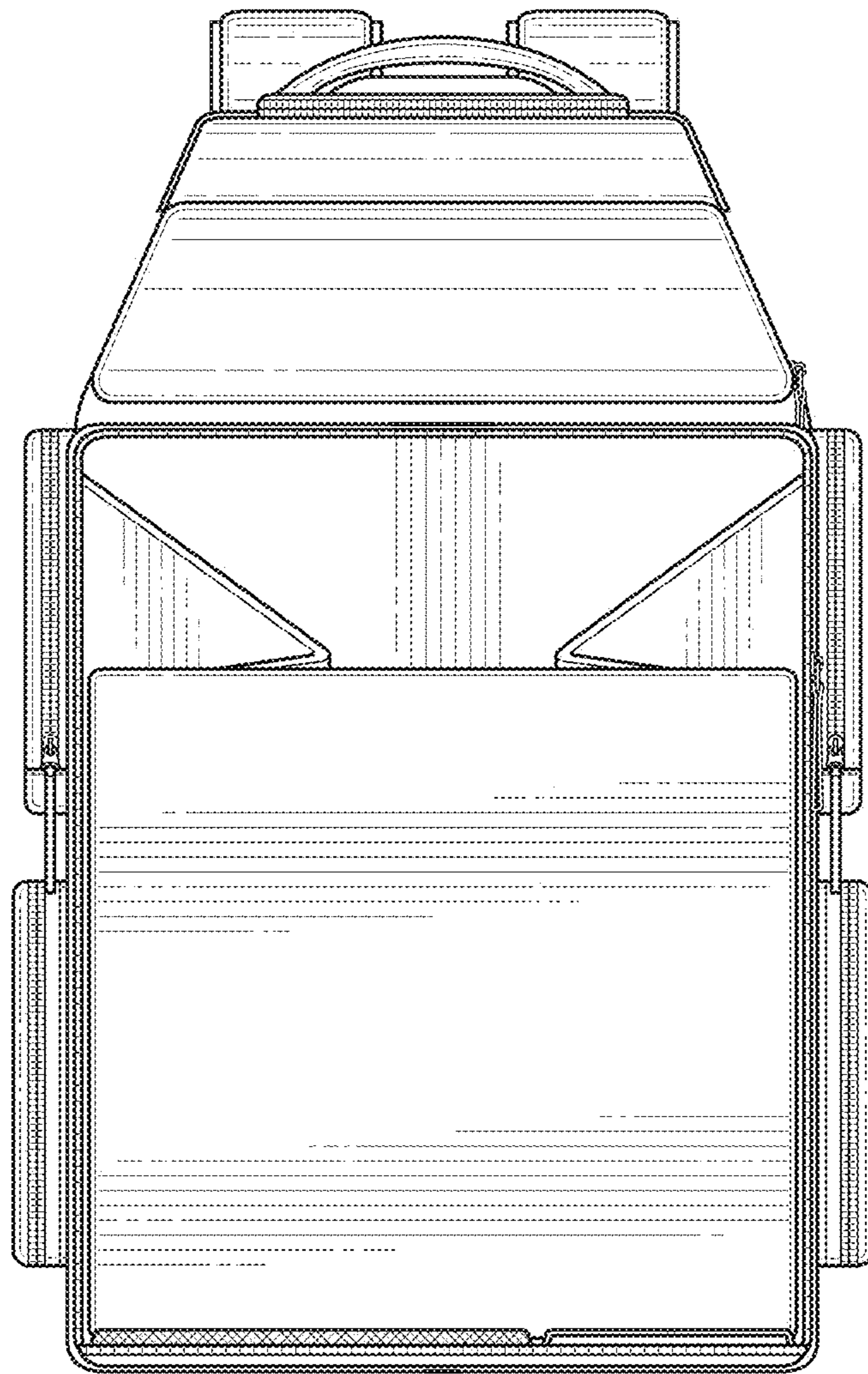


FIG. 9

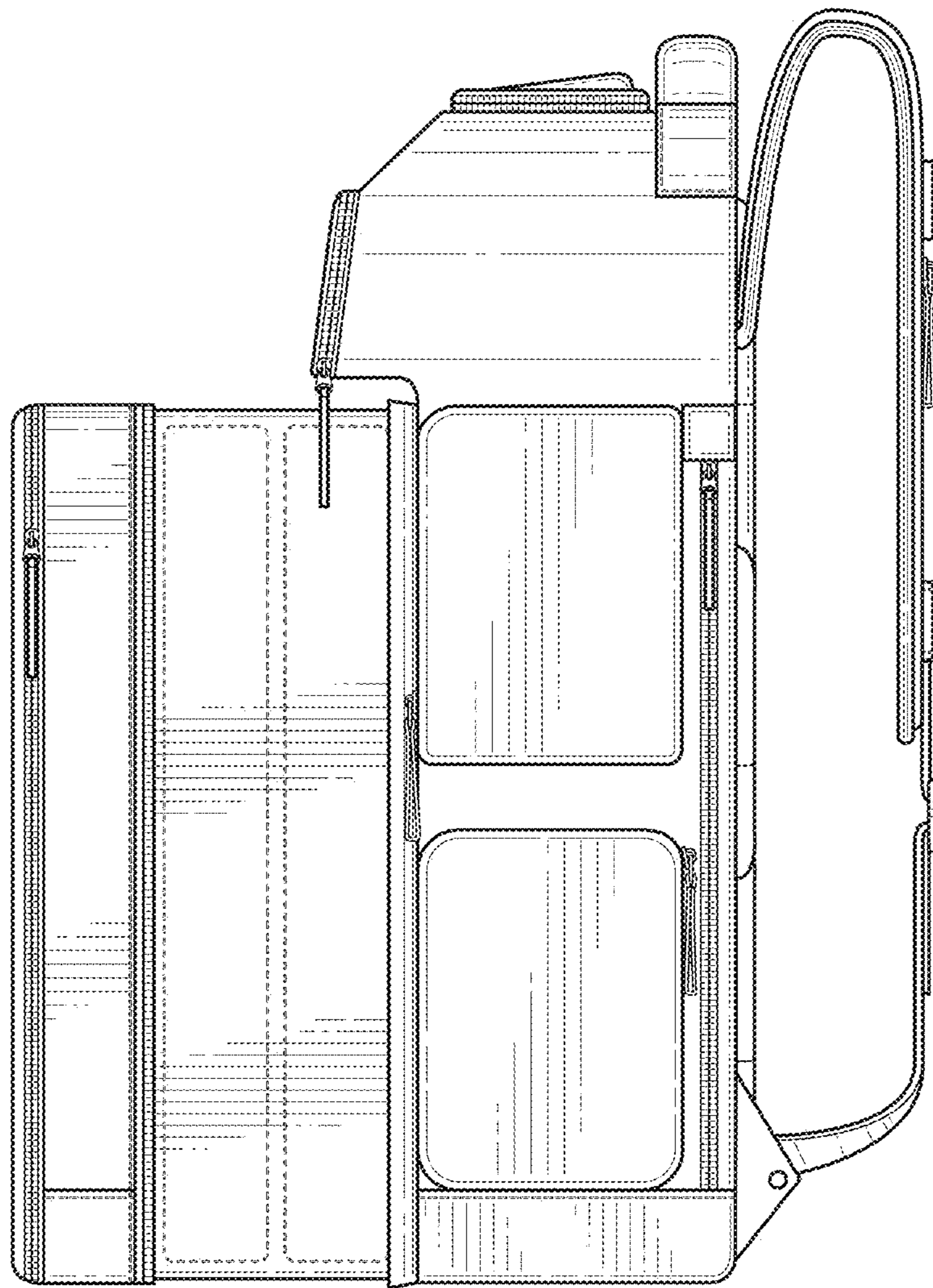


FIG. 10

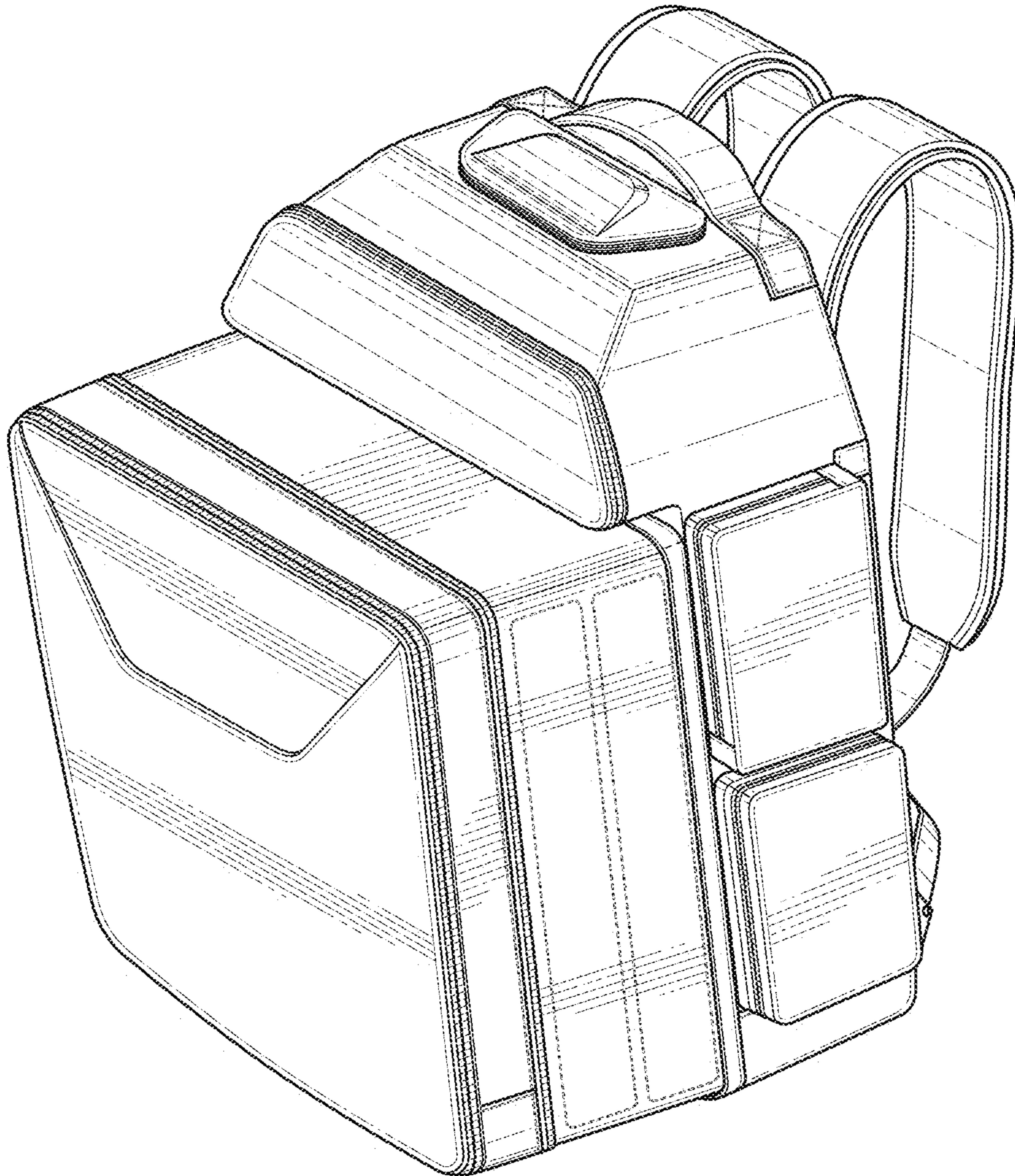


FIG. 11

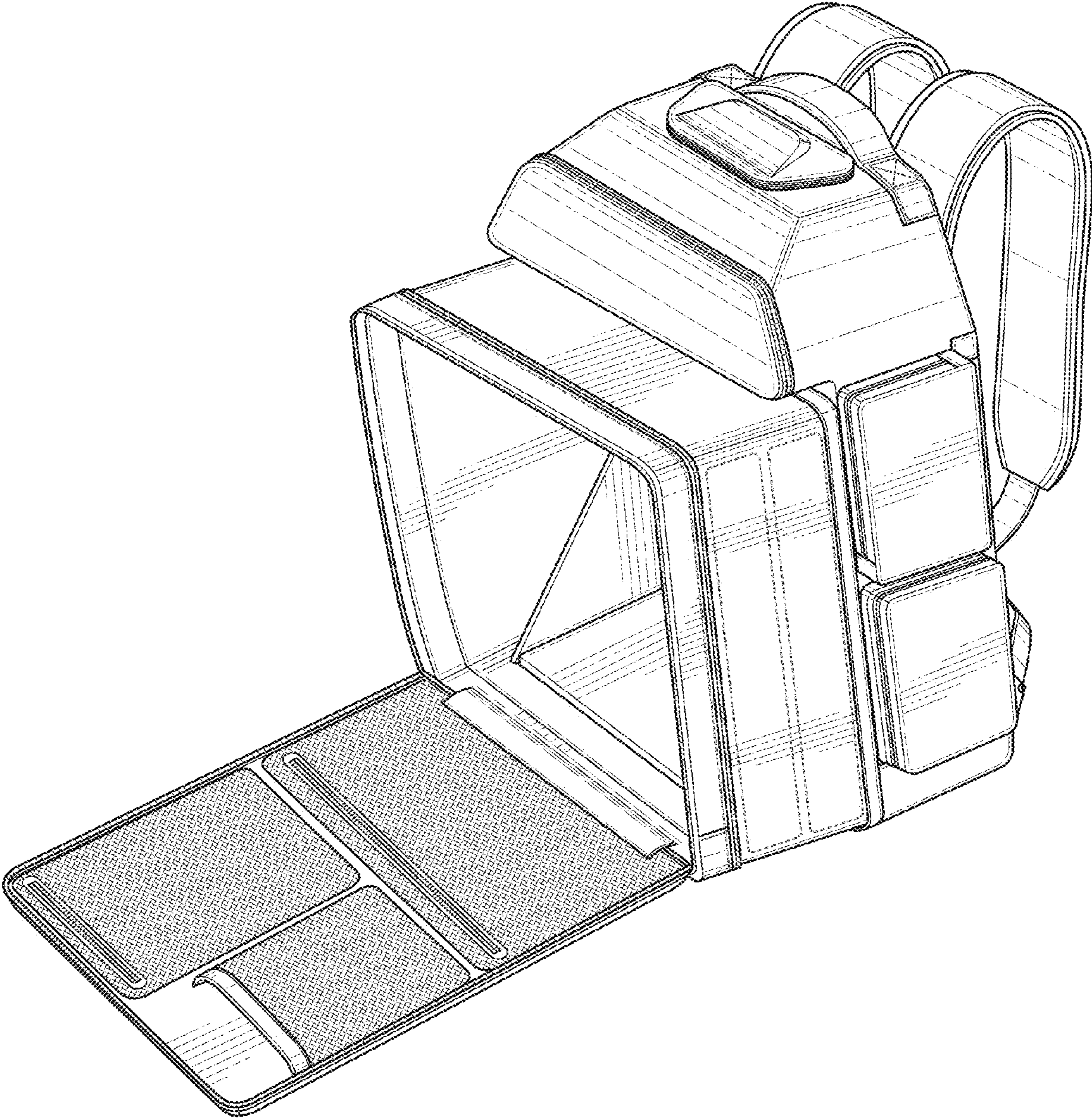


FIG. 12