



US00D874128S

(12) **United States Design Patent** (10) **Patent No.:** **US D874,128 S**
Capoulade (45) **Date of Patent:** **** Feb. 4, 2020**

(54) **BAG**
(71) Applicant: **DECATHLON**, Villeneuve d'Ascq (FR)
(72) Inventor: **Maxime Capoulade**, Lille (FR)
(73) Assignee: **DECATHLON**, Villeneuve d'Ascq (FR)

9,510,661 B2 * 12/2016 Murdoch A45F 3/005
D781,049 S * 3/2017 Kemp D3/216
9,615,648 B1 * 4/2017 Chang A45F 3/04
D787,810 S * 5/2017 Wang D3/203.1
9,820,558 B1 * 11/2017 de Geus A45F 4/02
9,877,555 B1 * 1/2018 Tien A45C 1/04
D811,727 S * 3/2018 Quehl D3/217
D845,613 S * 4/2019 Decker D3/203.1
10,315,816 B2 * 6/2019 Ehyai B65D 55/165
D856,658 S * 8/2019 Betesh D3/201

(**) Term: **15 Years**
(21) Appl. No.: **29/659,527**
(22) Filed: **Aug. 9, 2018**

OTHER PUBLICATIONS

https://www.decathlon.co.uk/nutrition-bike-tri-bag-id_8495299.html, Decathlon, May 22, 2018 (Year: 2018).
Photographs XLAB Stealth Pocket 400 bag; available before Mar. 8, 2018.
Photographs of PRO Aerofuel Triathlon Medium bag; available before Mar. 8, 2018.

(30) **Foreign Application Priority Data**
Mar. 8, 2018 (EM) 004746634
(51) **LOC (12) Cl.** **03-01**
(52) **U.S. Cl.**
USPC **D3/203.1**
(58) **Field of Classification Search**
USPC D3/201, 203.1, 203.6, 203.7, 216, 217, D3/267, 285, 287, 289, 301
CPC .. A45C 3/08; A45C 3/06; A45C 13/08; A45C 13/02; A45C 7/0086; A45C 3/00; A45C 13/26; A45F 3/04; A45F 3/02
See application file for complete search history.

* cited by examiner

Primary Examiner — Mark A Goodwin
Assistant Examiner — Benjamin M Weeks
(74) *Attorney, Agent, or Firm* — Fross, Zeinick, Lehrman & Zissu, P.C.; Charles T. J. Weigell, Esq.

(56) **References Cited**

U.S. PATENT DOCUMENTS

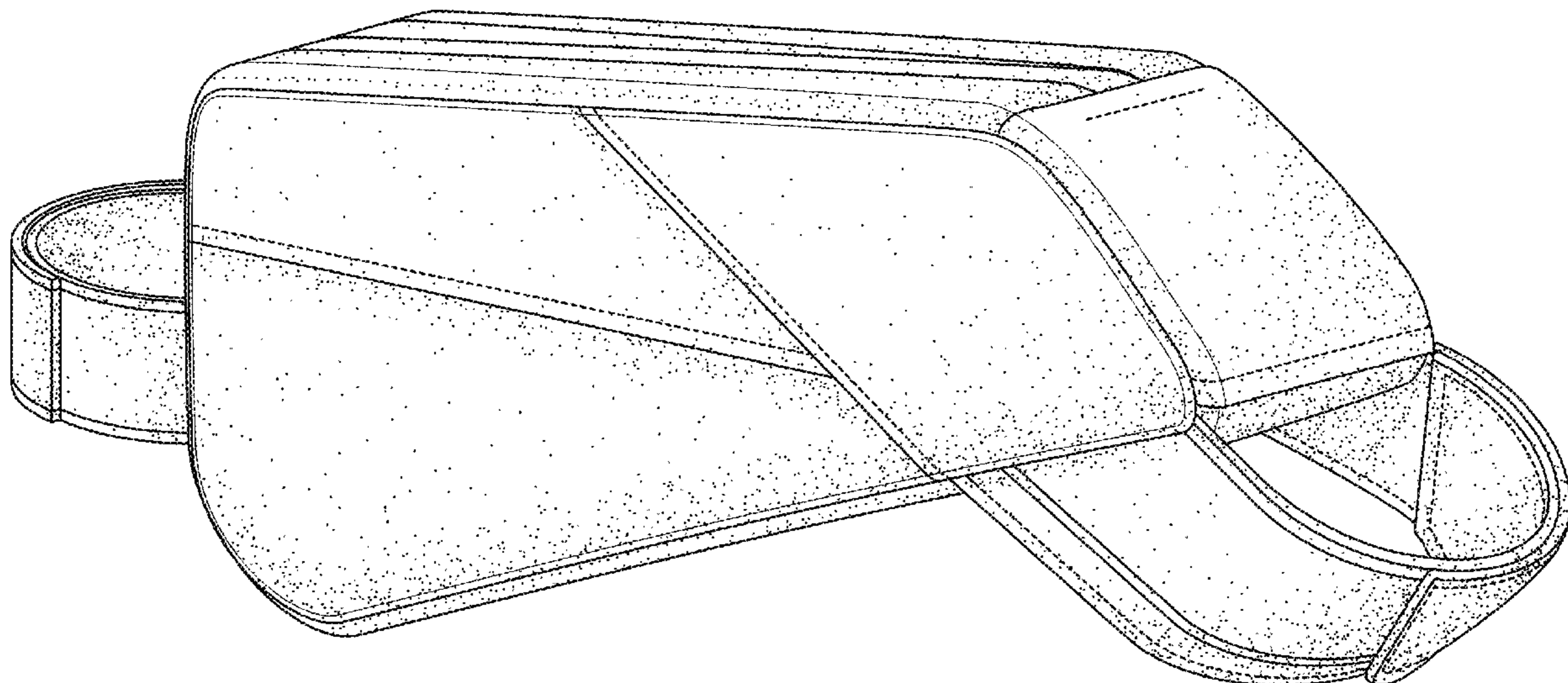
D457,307 S * 5/2002 Pukall D3/216
7,282,044 B2 * 10/2007 Hudson A45F 3/04
604/174
D575,952 S * 9/2008 Forbes D3/203.1
D631,648 S * 2/2011 Pullin D3/203.1
D664,765 S * 8/2012 Saia D3/279
D699,941 S * 2/2014 Robert D3/216
D739,653 S * 9/2015 Majeau D3/217
D747,104 S * 1/2016 Ford D3/216
D748,918 S * 2/2016 Majeau D3/216

(57) **CLAIM**
The ornamental design for a bag, as shown and described.

DESCRIPTION

FIG. 1 is a front perspective view of a bag showing my new design;
FIG. 2 is a front view thereof;
FIG. 3 is a back view thereof;
FIG. 4 is a right side view thereof;
FIG. 5 is a left side view thereof;
FIG. 6 is a top view thereof; and,
FIG. 7 is a bottom view thereof.
The broken lines represent stitching portions of the bag

1 Claim, 7 Drawing Sheets



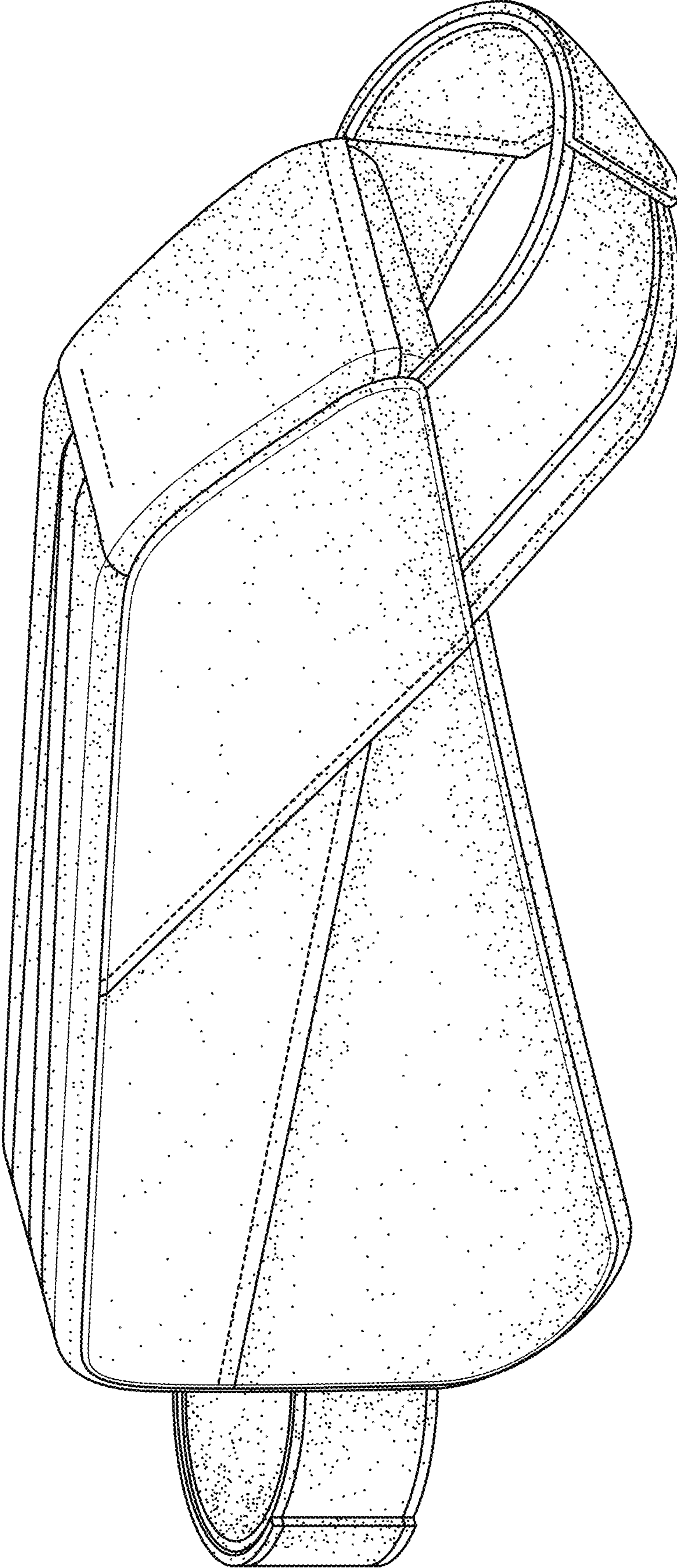


FIG. 1

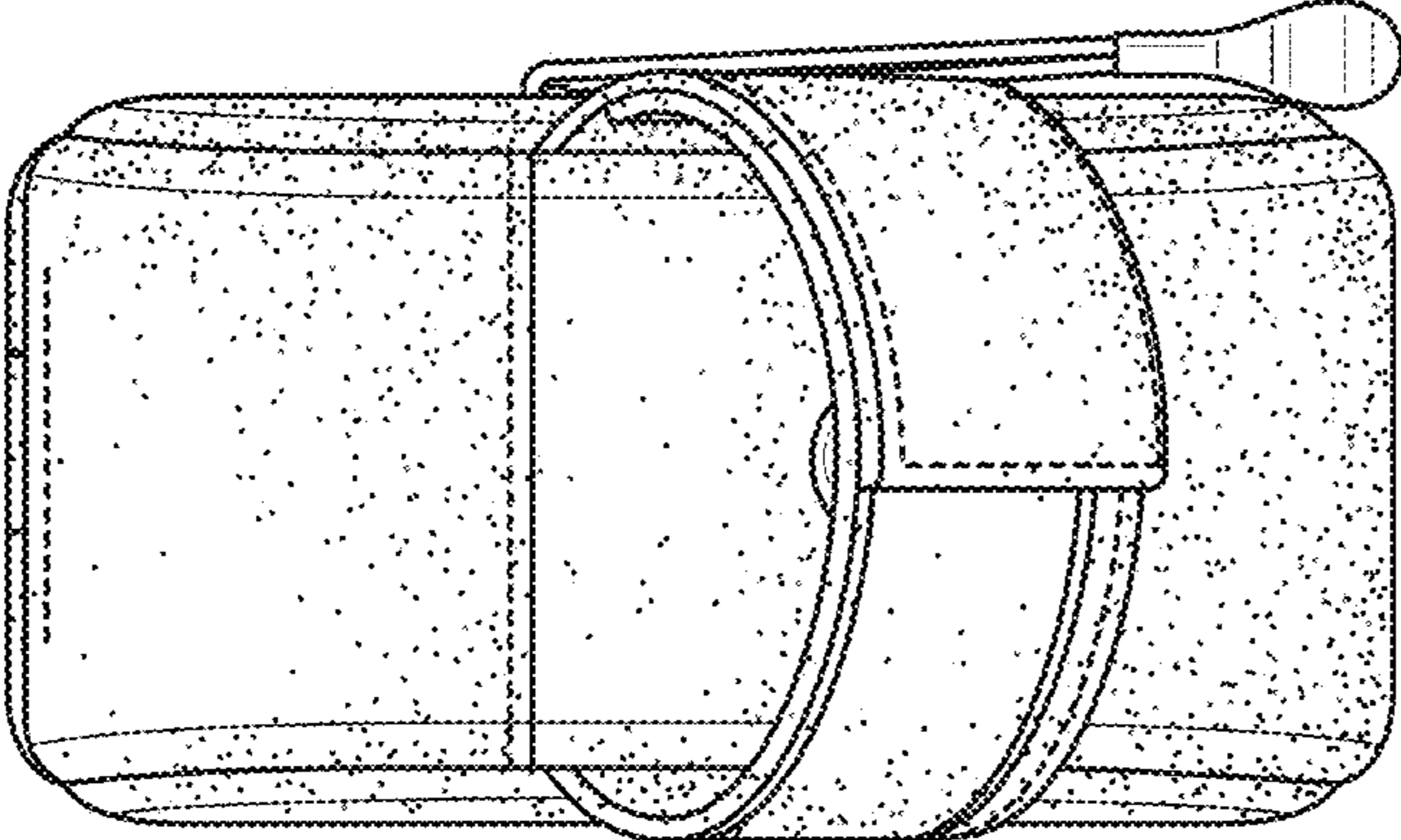


FIG. 2

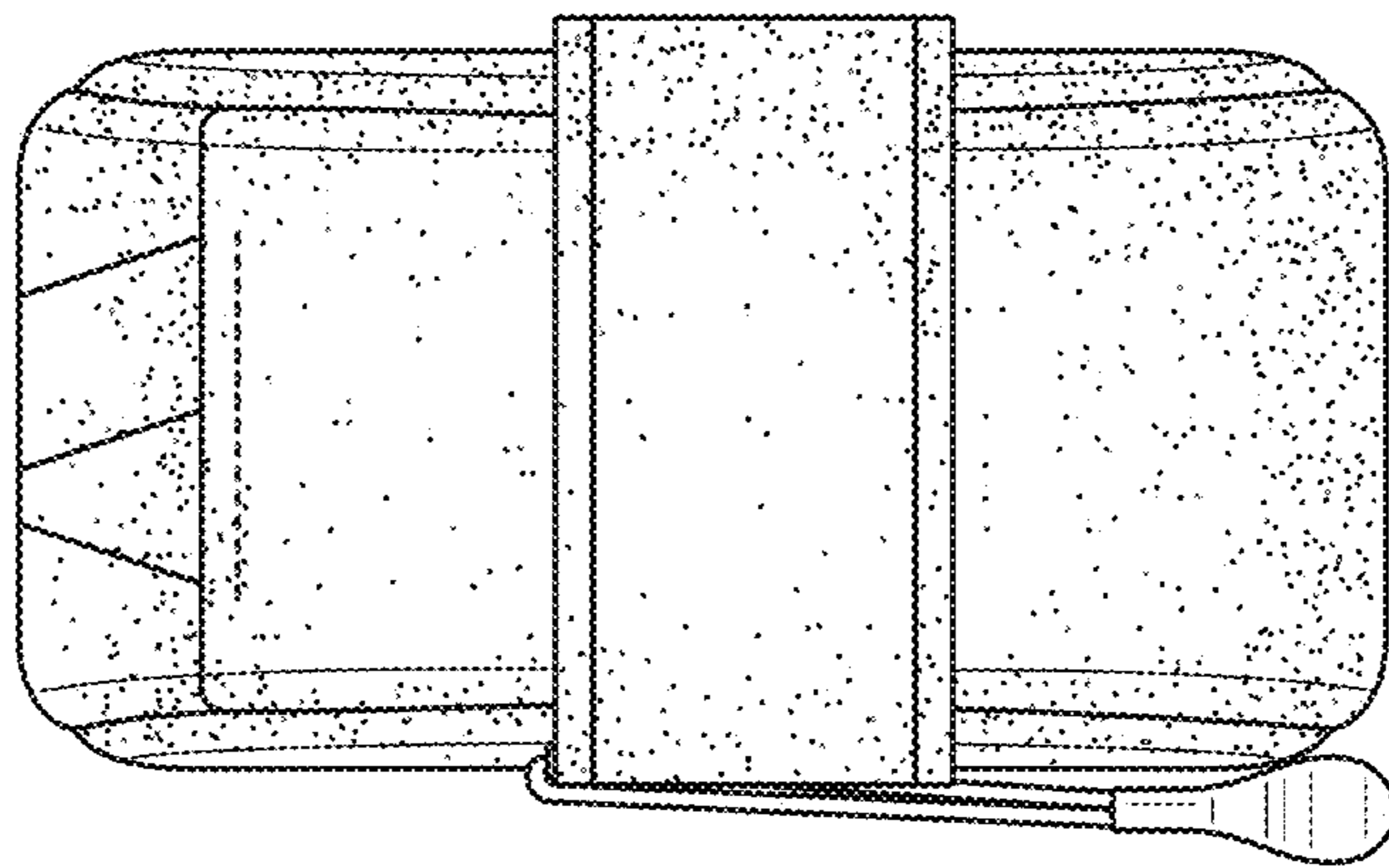


FIG. 3

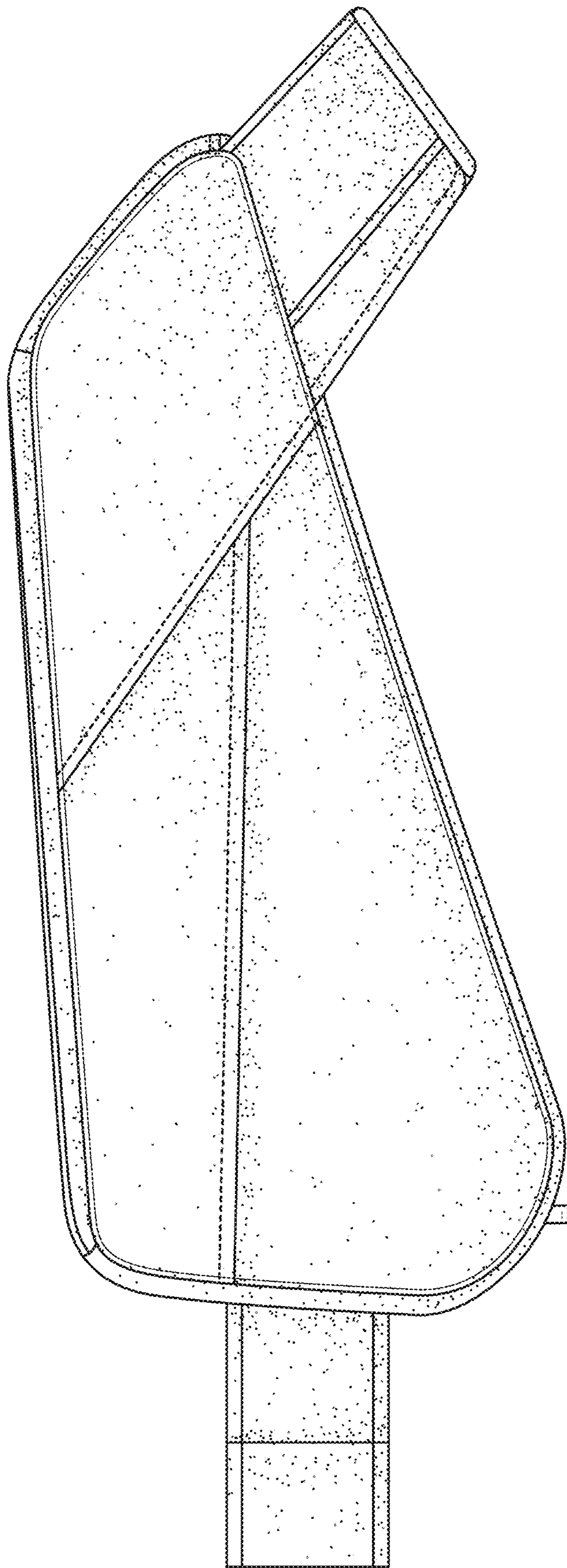


FIG. 4

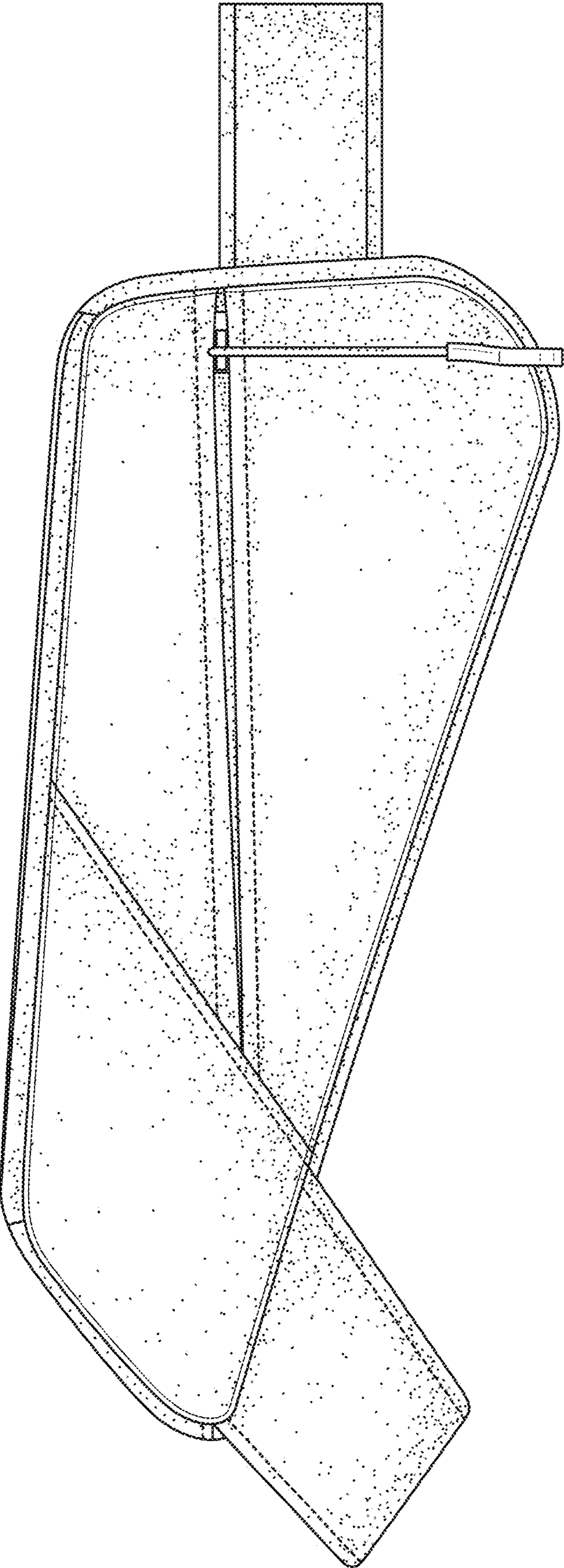


FIG. 5

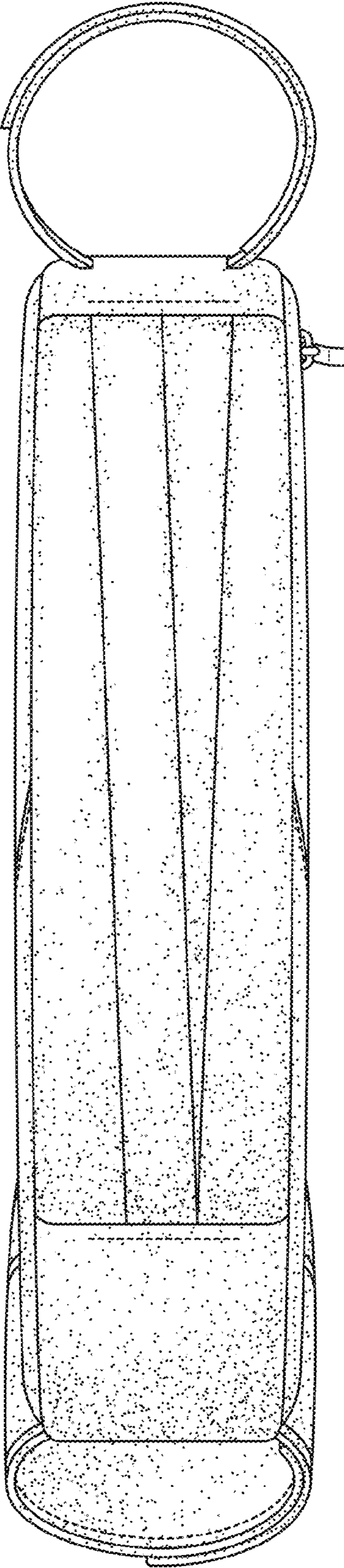


FIG. 6

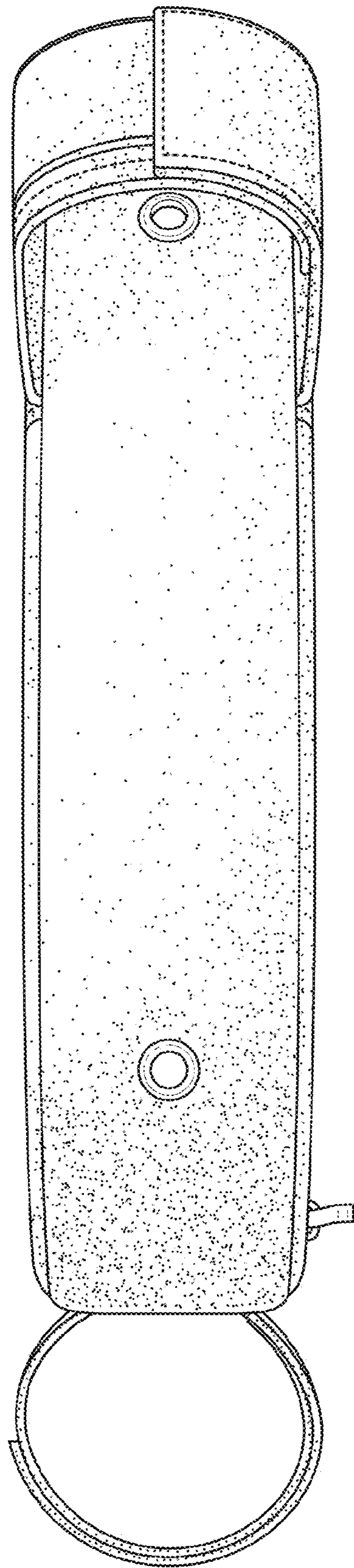


FIG. 7