



US00D874127S

(12) **United States Design Patent**  
**Wang et al.**

(10) **Patent No.:** **US D874,127 S**

(45) **Date of Patent:** **\*\* Feb. 4, 2020**

(54) **CUP BAG**

(71) Applicant: **SHEN ZHEN QUICK FIT PLASTIC CO., LTD.**, Shenzhen (CN)

(72) Inventors: **Qi Wang**, Shenzhen (CN); **Hui Kang**, Shenzhen (CN)

(\*\*) Term: **15 Years**

(21) Appl. No.: **29/704,298**

(22) Filed: **Sep. 4, 2019**

(51) **LOC (12) Cl.** ..... **03-01**

(52) **U.S. Cl.**  
USPC ..... **D3/202**

(58) **Field of Classification Search**  
USPC ..... D3/201, 202, 242, 272, 273, 276, 277,  
D3/281, 283, 289, 285, 294, 301, 303,  
D3/315-318, 900-905, 271.1; D7/605,  
D7/607, 628, 701, 704, 709  
CPC ..... B65D 77/24; B65D 85/816; B65D 51/28;  
B65D 9/10; B65D 9/32; B65D 9/34;  
B65D 9/38; B65D 25/04  
See application file for complete search history.

(56) **References Cited**

**U.S. PATENT DOCUMENTS**

D227,043 S	*	5/1973	Van den berg	.....	D3/229
D373,678 S	*	9/1996	Haigis	.....	D3/229
D374,975 S	*	10/1996	Vargas	.....	D3/202
D379,711 S	*	6/1997	Fitzgerald	.....	D3/202
D399,049 S	*	10/1998	Adams	.....	D3/202

D415,390 S	*	10/1999	Winnington-Ingram	.....	D3/202
D421,898 S		3/2000	Strange		
D609,454 S	*	2/2010	Porter-Young	.....	D3/202
D622,954 S	*	9/2010	Porter-Young	.....	D3/202
D755,502 S	*	5/2016	Halter	.....	D3/202
D780,442 S	*	3/2017	Tidwell	.....	D3/202
D790,209 S	*	6/2017	Thai	.....	D3/202
D802,294 S	*	11/2017	Sola	.....	D3/202

\* cited by examiner

*Primary Examiner* — Holly E Thurman

(74) *Attorney, Agent, or Firm* — Erson IP (Nelson IP)

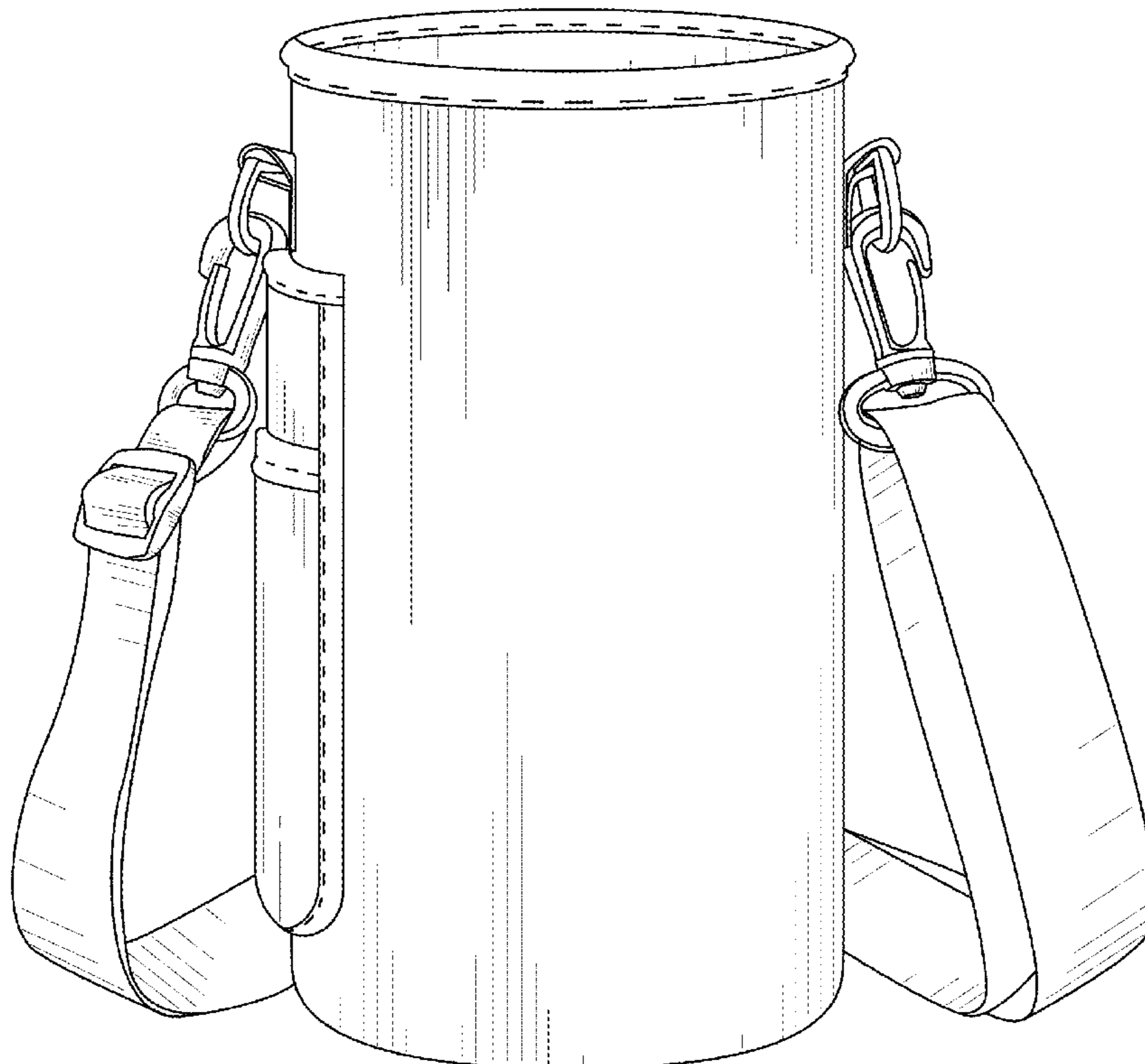
(57) **CLAIM**

The ornamental design for a cup bag, as shown and described.

**DESCRIPTION**

FIG. 1 is a perspective view of a cup bag with a strap showing my new design;  
FIG. 2 is another perspective of the cup bag with the strap view;  
FIG. 3 is a front view of the cup bag without the strap;  
FIG. 4 is a rear view of the cup bag without the strap;  
FIG. 5 is a left side view of the cup bag without the strap;  
FIG. 6 is a right side view of the cup bag without the strap;  
FIG. 7 is a top plan view of the cup bag without the strap;  
and,  
FIG. 8 is a bottom plan view of the cup bag without the strap.  
The broken lines are representing stitching of the cup bag and the broken lines form no part of the claimed design.

**1 Claim, 8 Drawing Sheets**



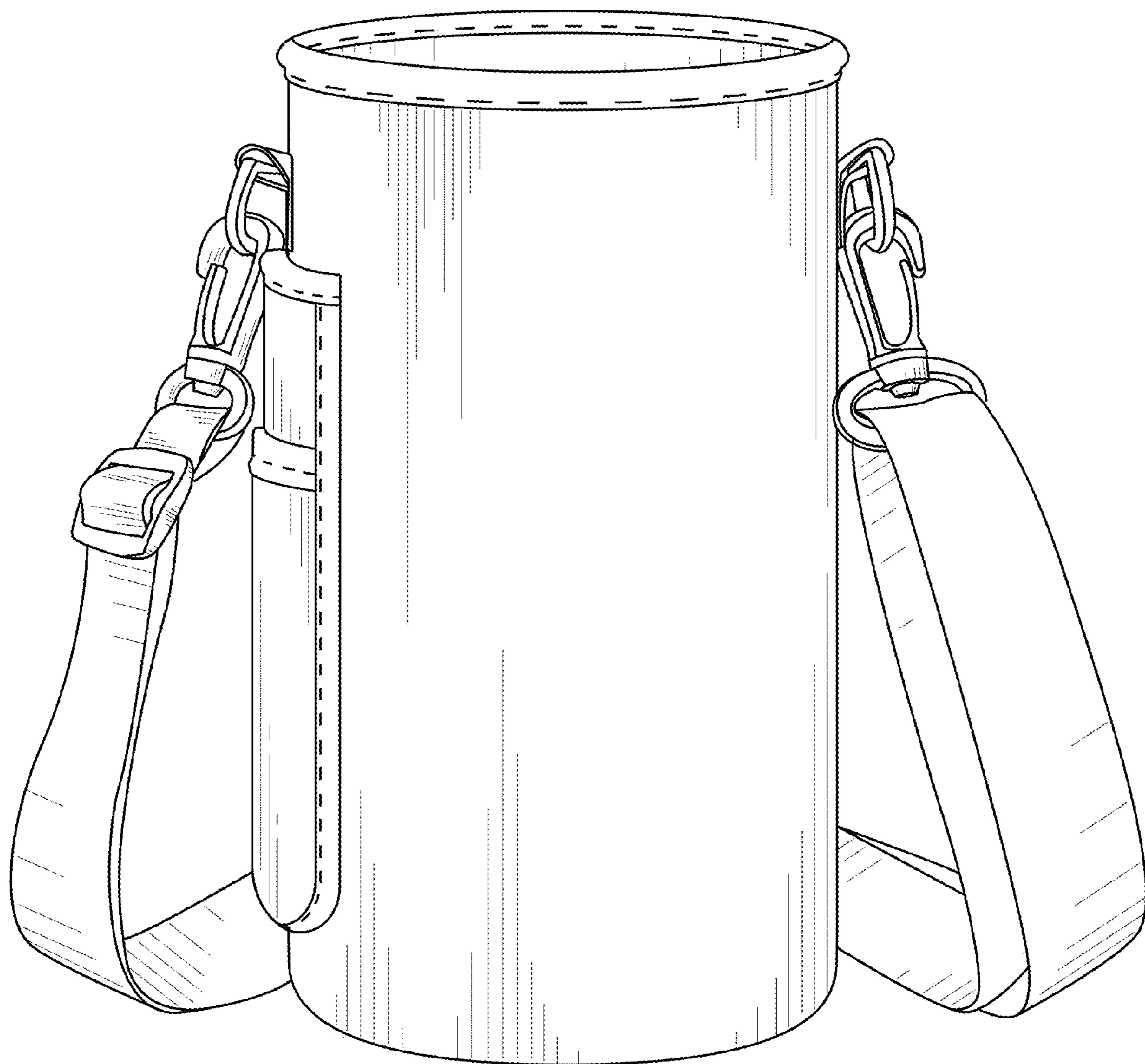


FIG. 1

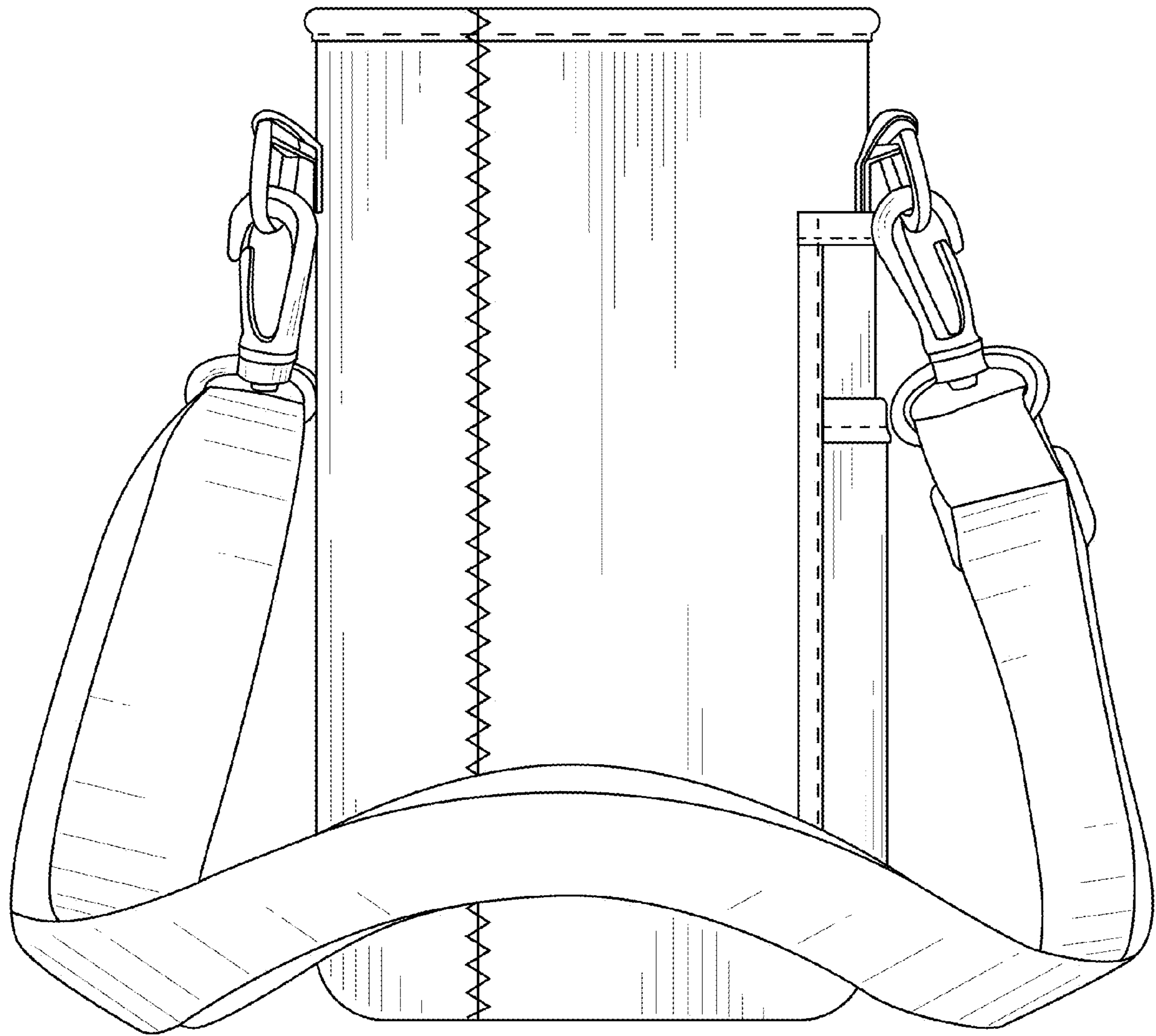


FIG. 2

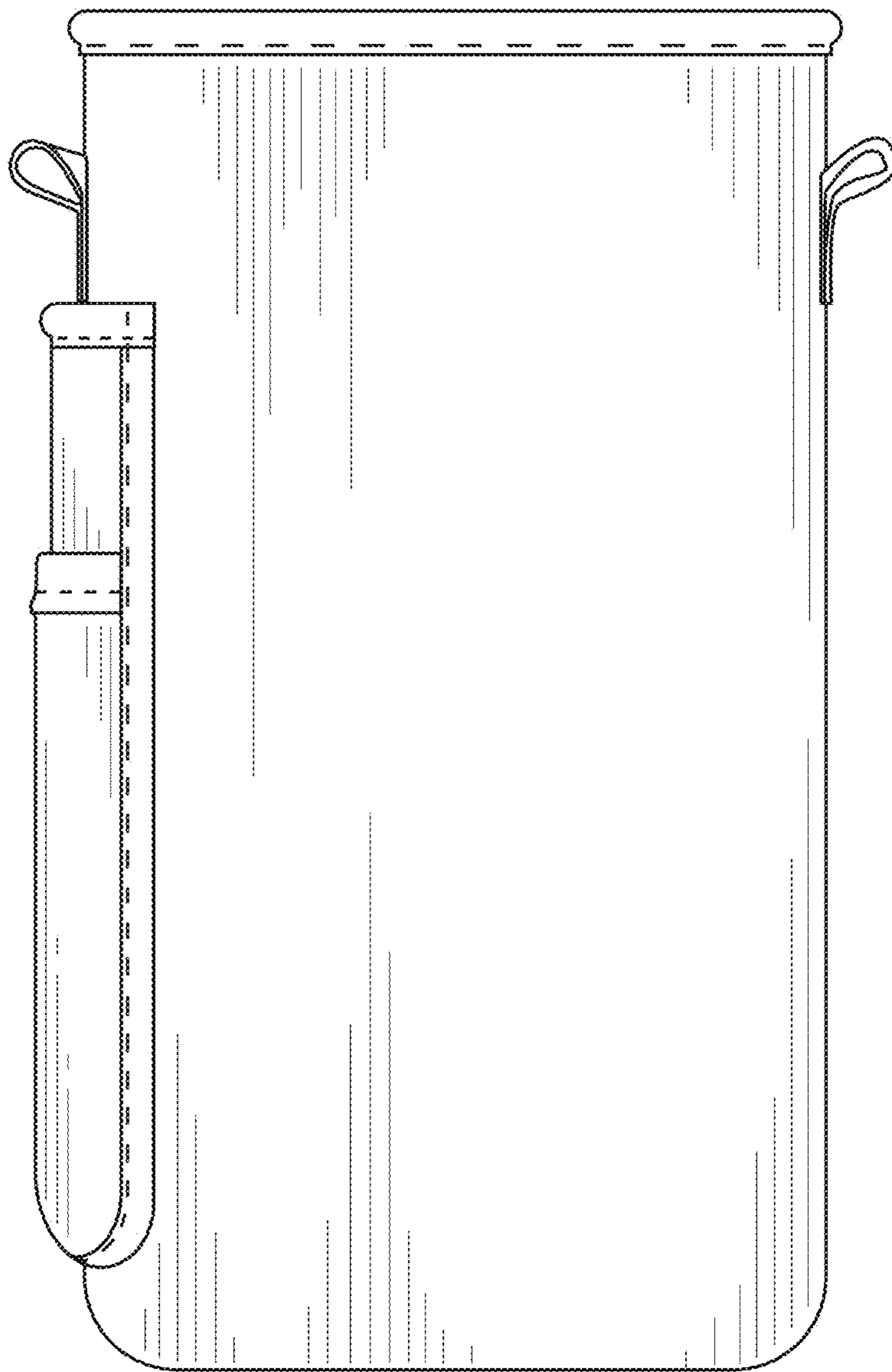


FIG. 3

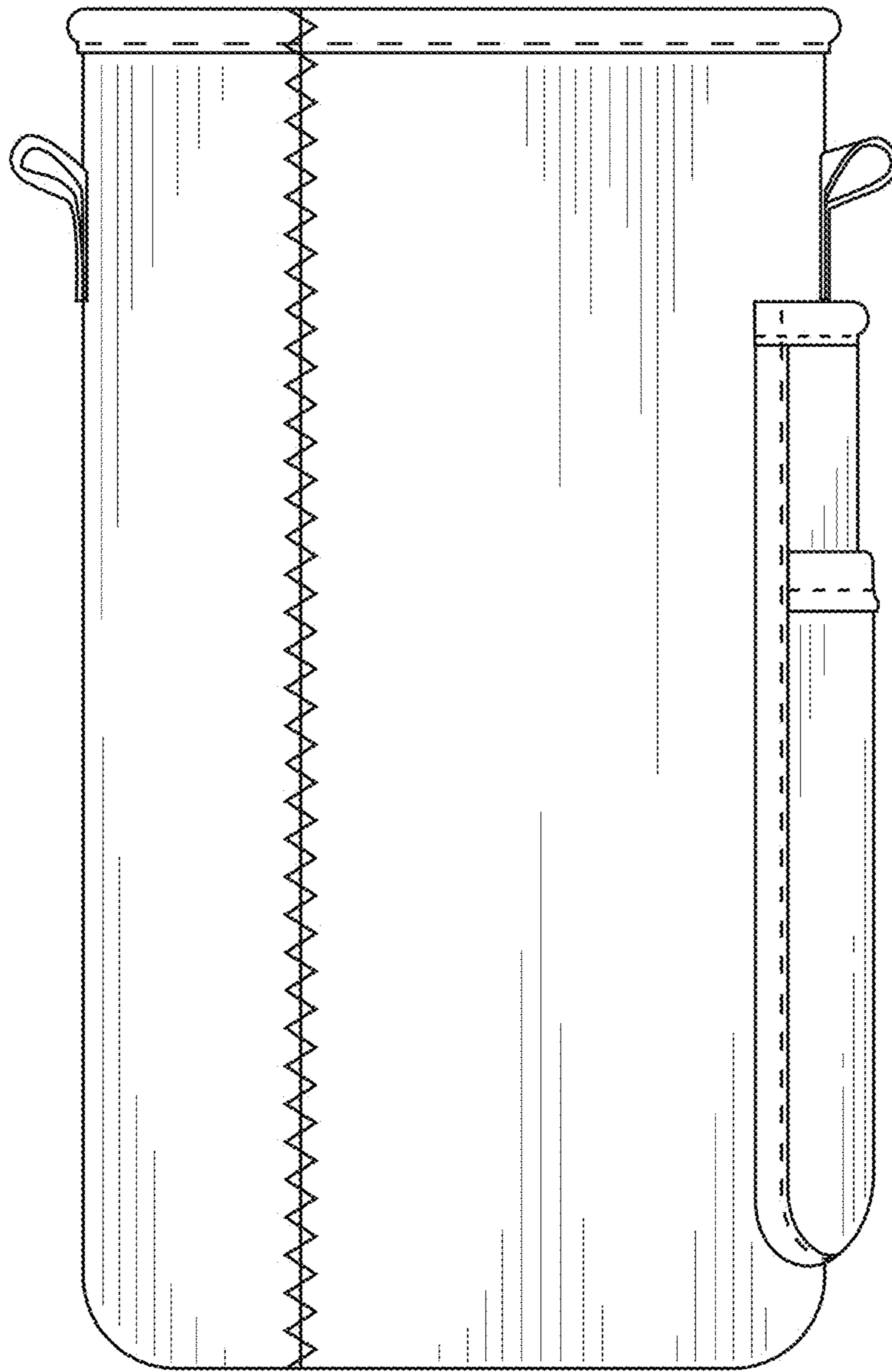


FIG. 4

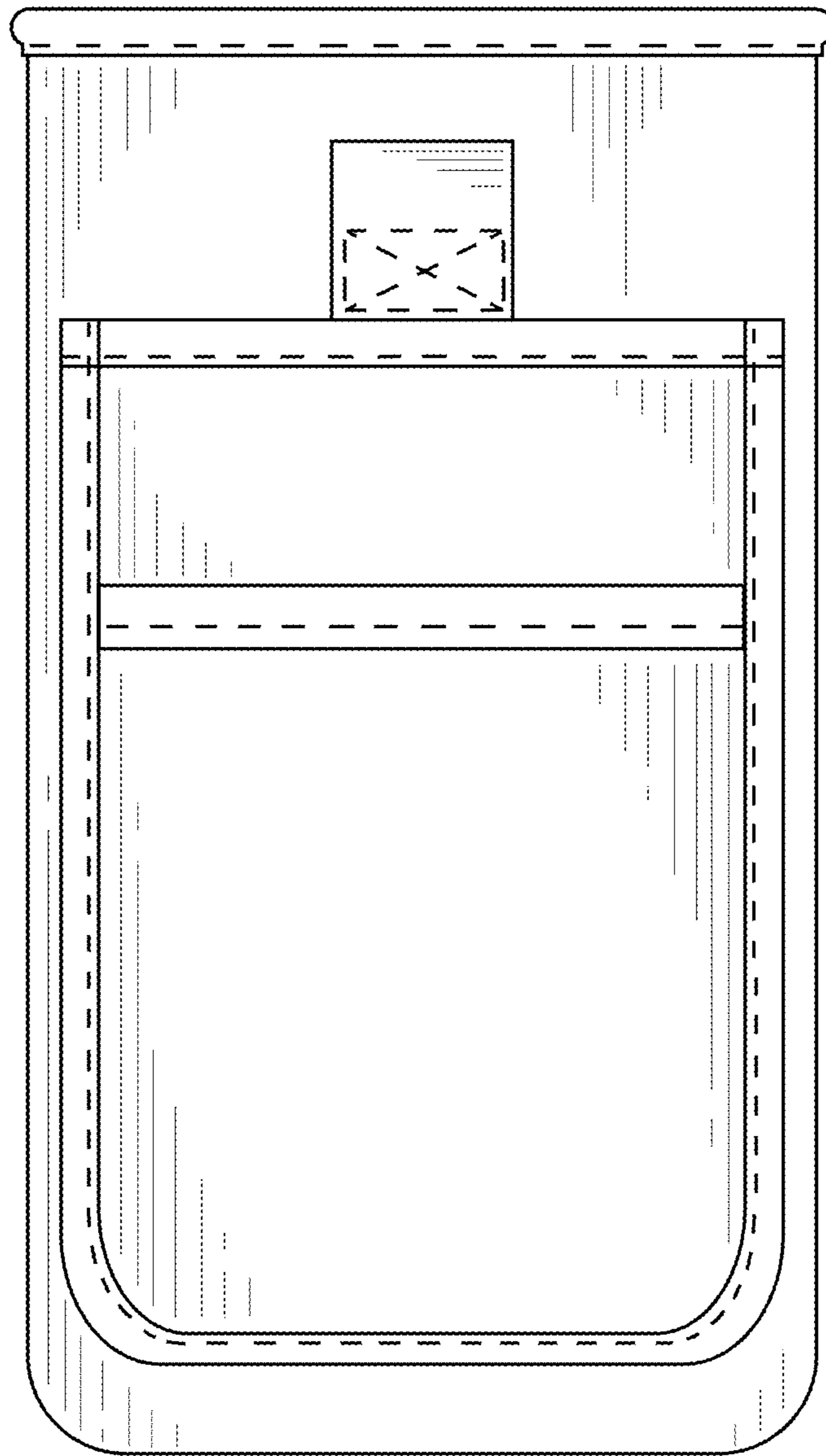


FIG. 5

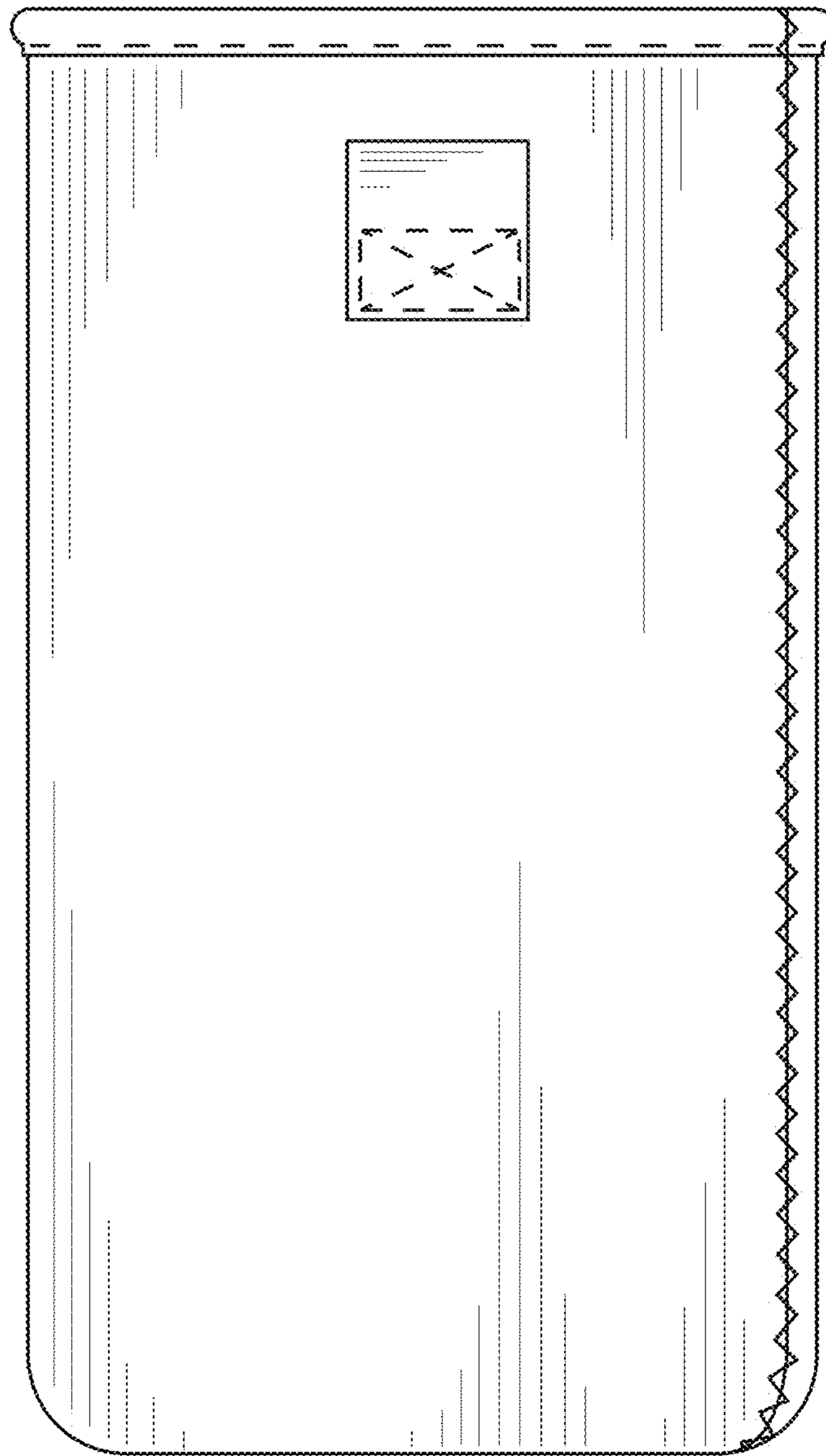


FIG. 6

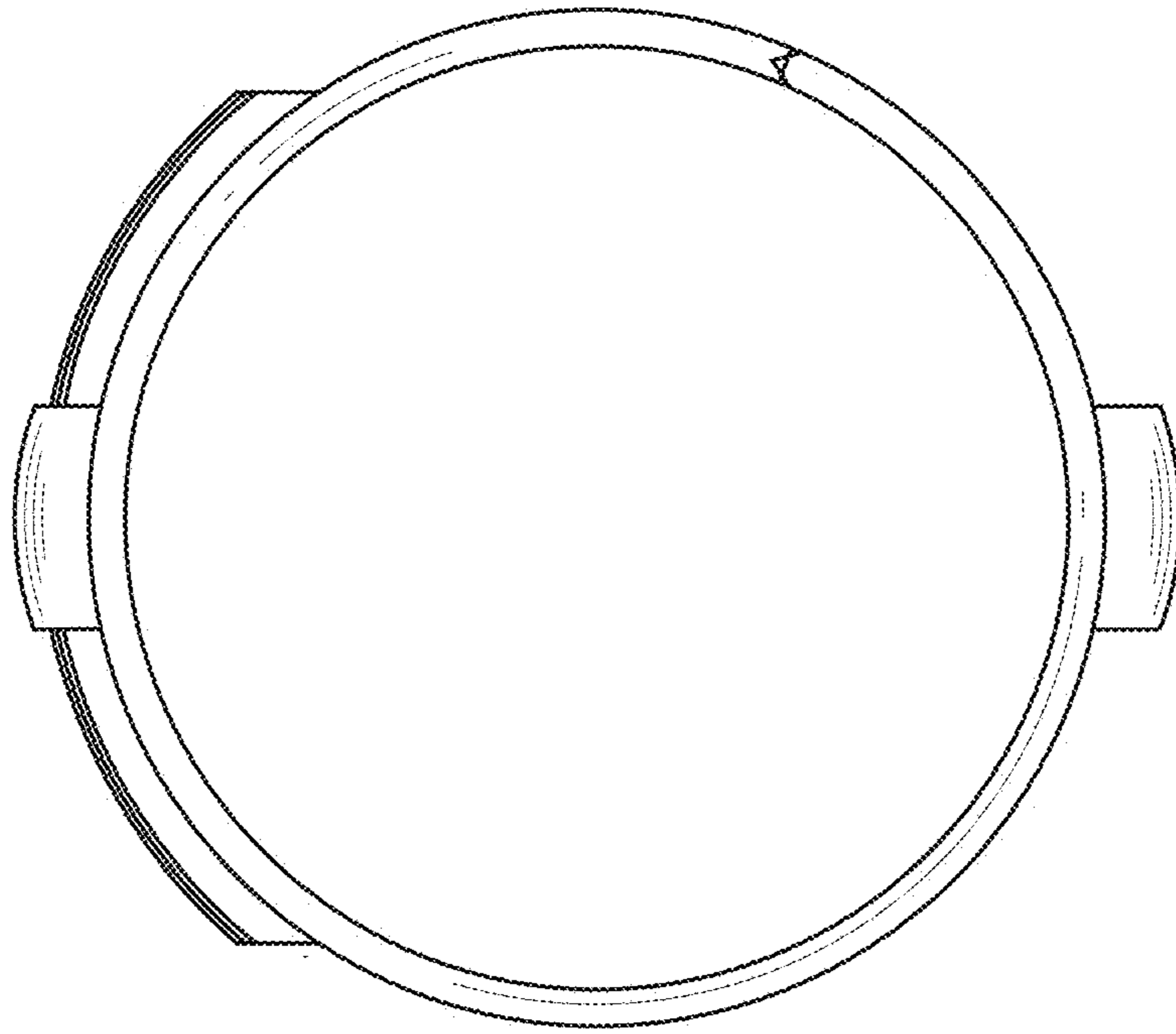


FIG. 7



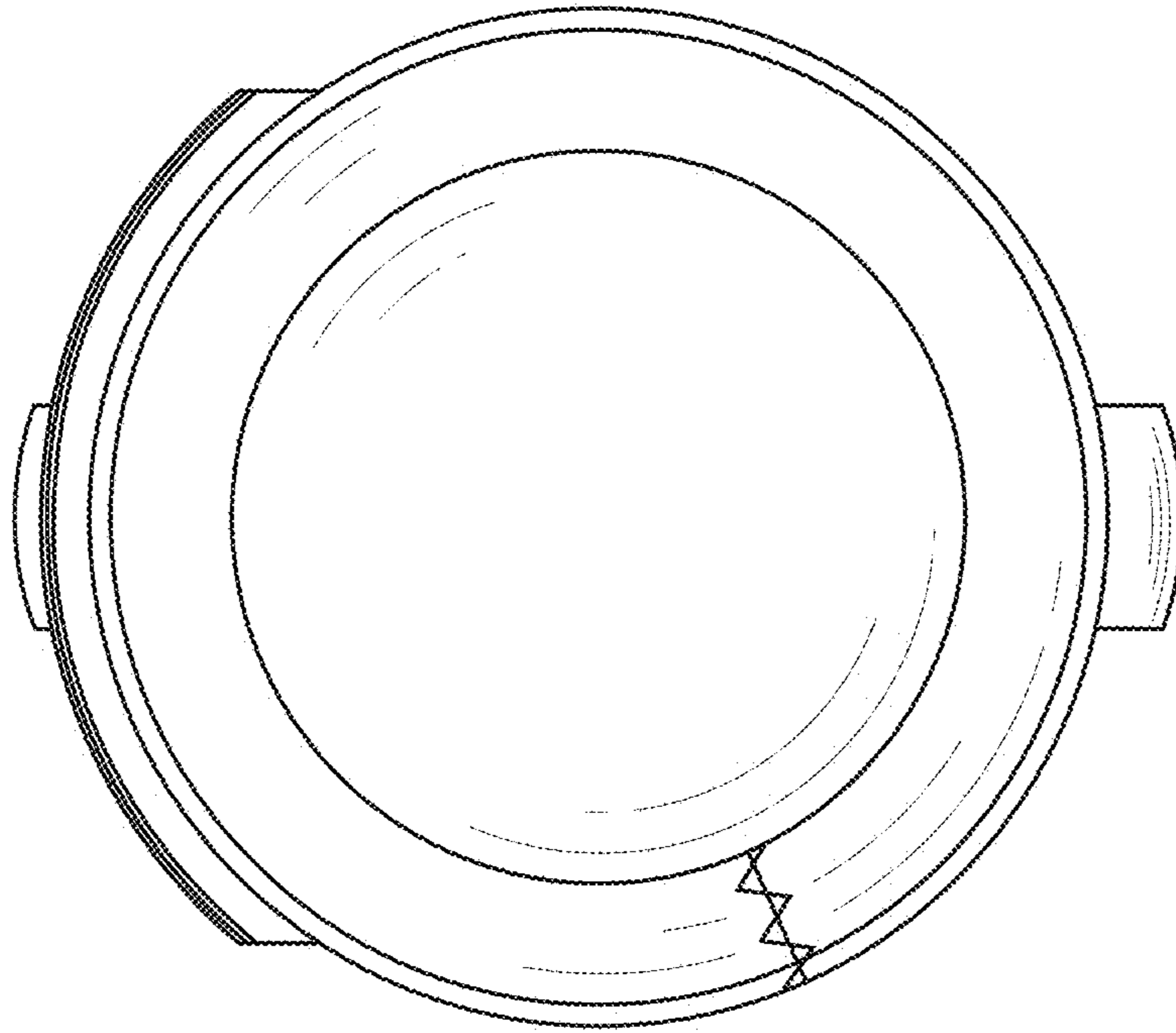


FIG. 8