



US00D874116S

(12) **United States Design Patent**  
**Avecilla**

(10) **Patent No.:** **US D874,116 S**

(45) **Date of Patent:** **\*\* Feb. 4, 2020**

(54) **RETRACTABLE PUSH BUTTON HEELS**

(71) Applicant: **Francés Melody Avecilla**, Studio City, CA (US)

(72) Inventor: **Francés Melody Avecilla**, Studio City, CA (US)

(\*\*) Term: **15 Years**

(21) Appl. No.: **29/618,297**

(22) Filed: **Sep. 20, 2017**

(51) **LOC (12) Cl.** ..... **02-04**

(52) **U.S. Cl.**  
USPC ..... **D2/964; D2/966; D2/968**

(58) **Field of Classification Search**  
USPC ..... D2/896–898, 914, 915, 925, 946,  
D2/964–968, 976  
CPC ..... A43B 3/24; A43B 21/36; A43B 21/24;  
A43B 21/48  
See application file for complete search history.

(56) **References Cited**

**U.S. PATENT DOCUMENTS**

3,805,418	A *	4/1974	Matuka	.....	A43B 21/30 36/34 A
4,363,177	A *	12/1982	Boros	.....	A43B 21/39 36/101
5,309,651	A *	5/1994	Handel	.....	A43B 21/433 36/100
5,524,365	A *	6/1996	Goldenberg	.....	A43B 3/24 36/36 C
D378,548	S *	3/1997	Harman, II	.....	A43B 21/39 D2/925
6,021,586	A *	2/2000	Bucalo	.....	A43B 3/24 36/42
7,877,902	B2 *	2/2011	Pieriboni	.....	A43B 3/24 36/100

7,954,256	B2 *	6/2011	Colella	.....	A43B 21/39 36/100
D665,980	S *	8/2012	Ruano Cerdan	.....	D2/965
8,322,053	B2 *	12/2012	Handel	.....	A43B 3/24 36/100
8,453,351	B1 *	6/2013	Hale	.....	A43B 21/437 36/100
D693,555	S *	11/2013	Savill, Jr.	.....	A43B 21/433 D2/965
9,220,317	B2 *	12/2015	Green	.....	A43B 13/04
9,936,761	B2 *	4/2018	Alan	.....	A43B 21/433
10,034,518	B2 *	7/2018	Beaufort	.....	A43B 21/51
10,039,340	B2 *	8/2018	Berberian	.....	A43B 3/246
10,045,591	B2 *	8/2018	Isinhue	.....	A43B 21/42

\* cited by examiner

*Primary Examiner* — Rashida C. Walshon

(57) **CLAIM**

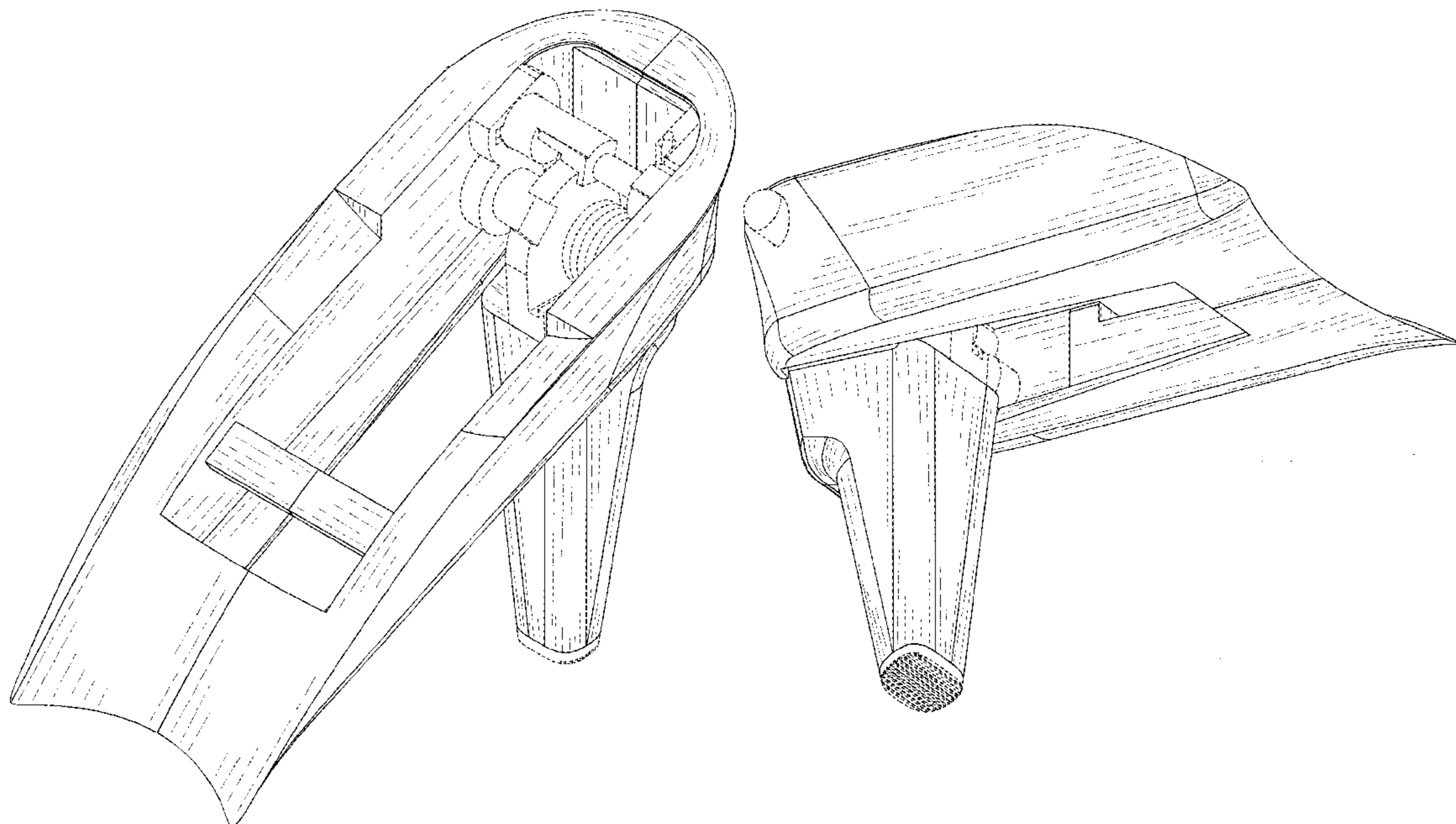
The ornamental design for retractable push button heels, as shown and described.

**DESCRIPTION**

FIG. 1 is a top right perspective view of retractable push button heels;  
FIG. 2 is a top left perspective view thereof;  
FIG. 3 is a bottom left perspective view thereof;  
FIG. 4 is a front elevational view thereof;  
FIG. 5 is a rear elevational view thereof;  
FIG. 6 is a right side elevational view thereof;  
FIG. 7 is a left side elevational view thereof;  
FIG. 8 is a top plan view thereof; and,  
FIG. 9 is a bottom plan view thereof.

The broken line showing of a locking mechanism and pivot point is included for the purpose of illustrating environmental structure and forms no part of the claimed design.

**1 Claim, 9 Drawing Sheets**



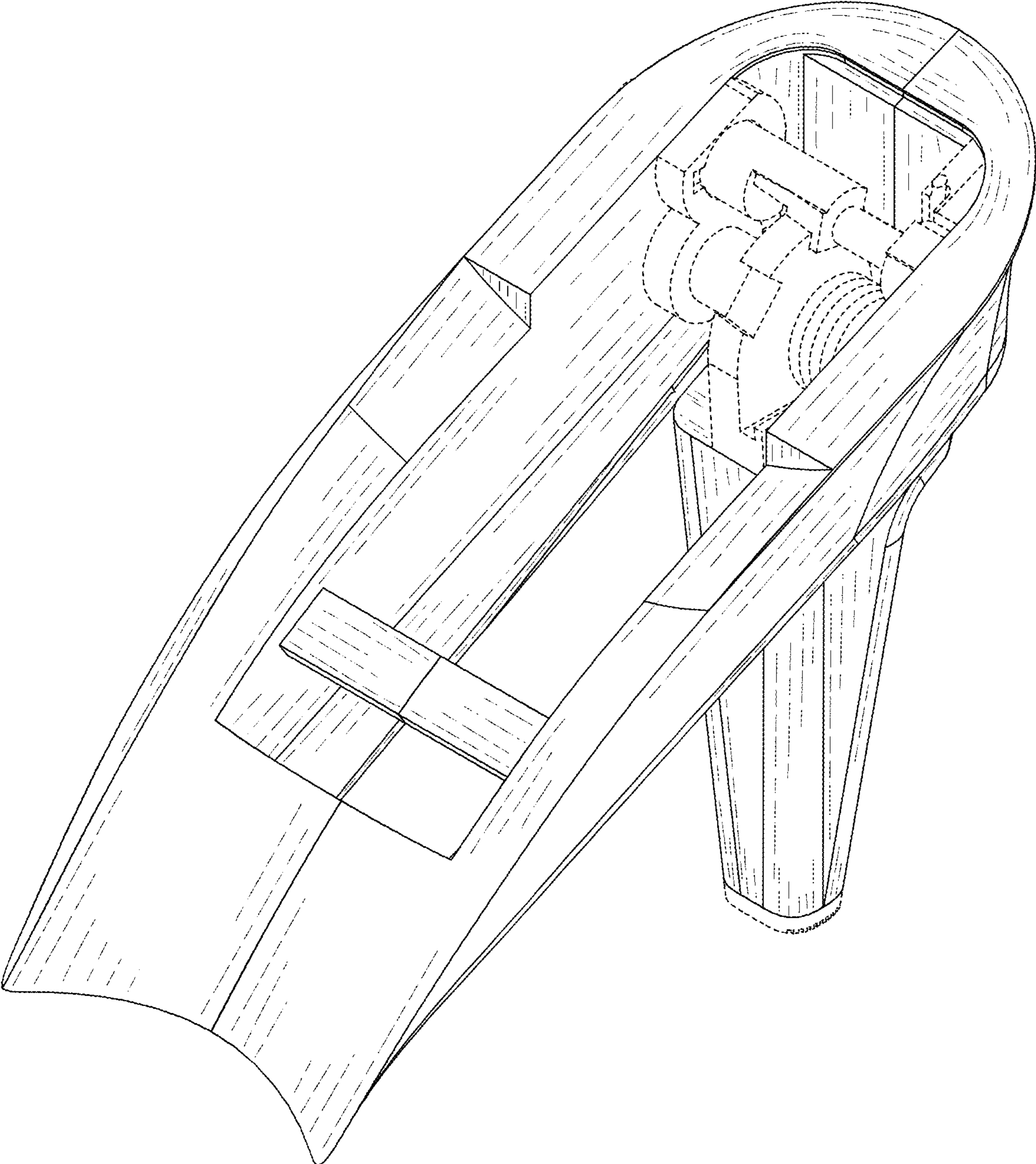


FIG. 1

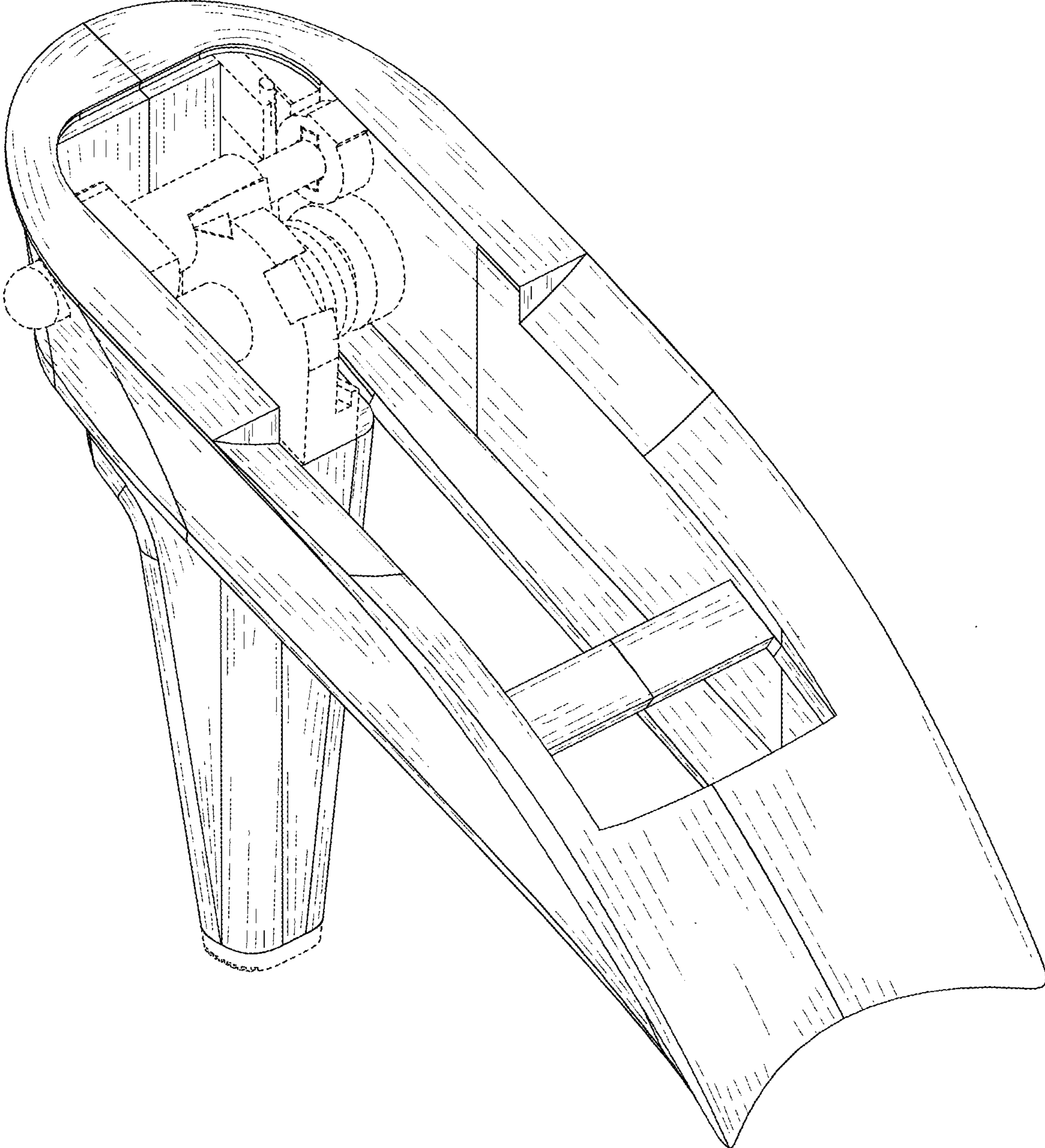


FIG. 2

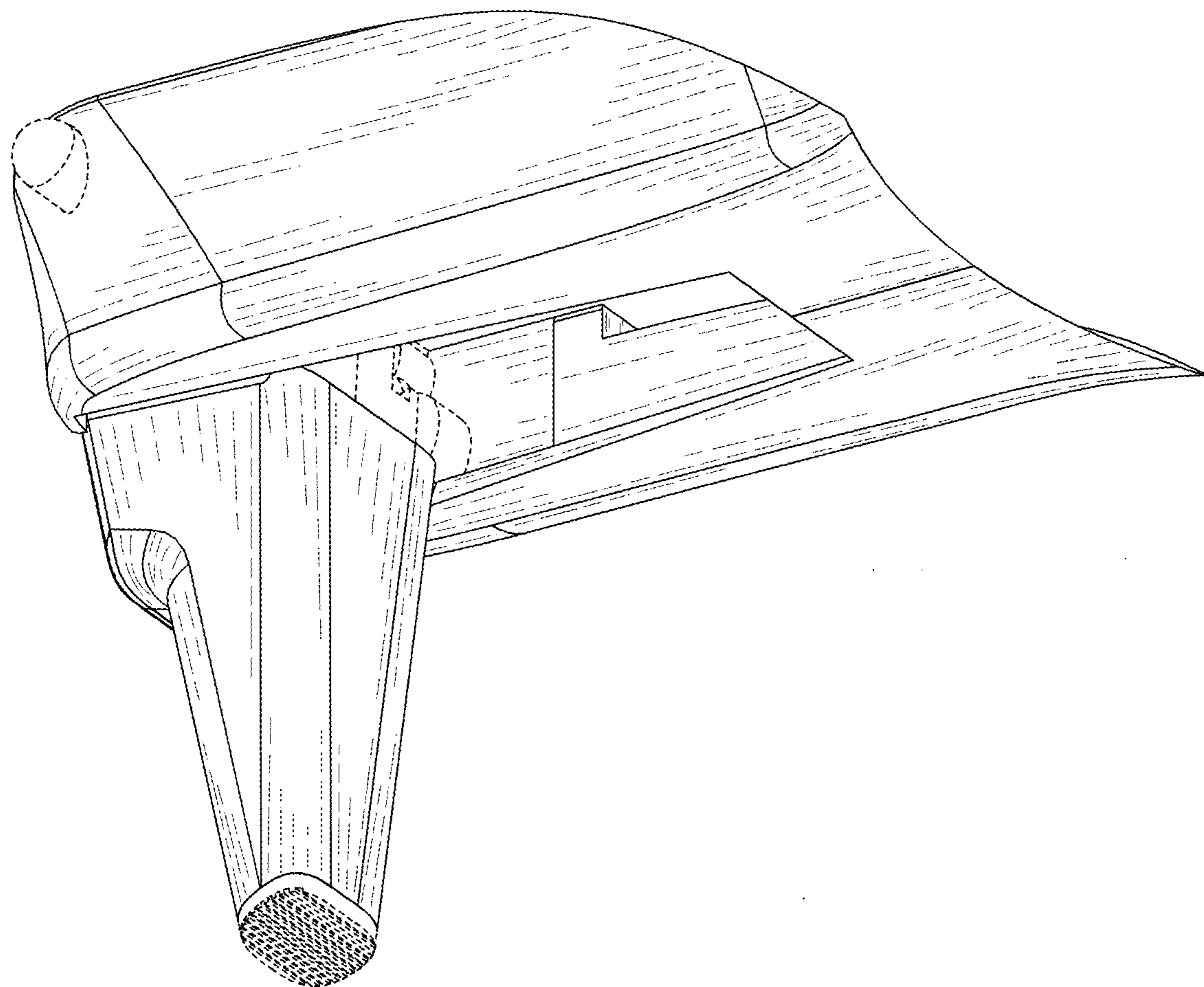


FIG. 3

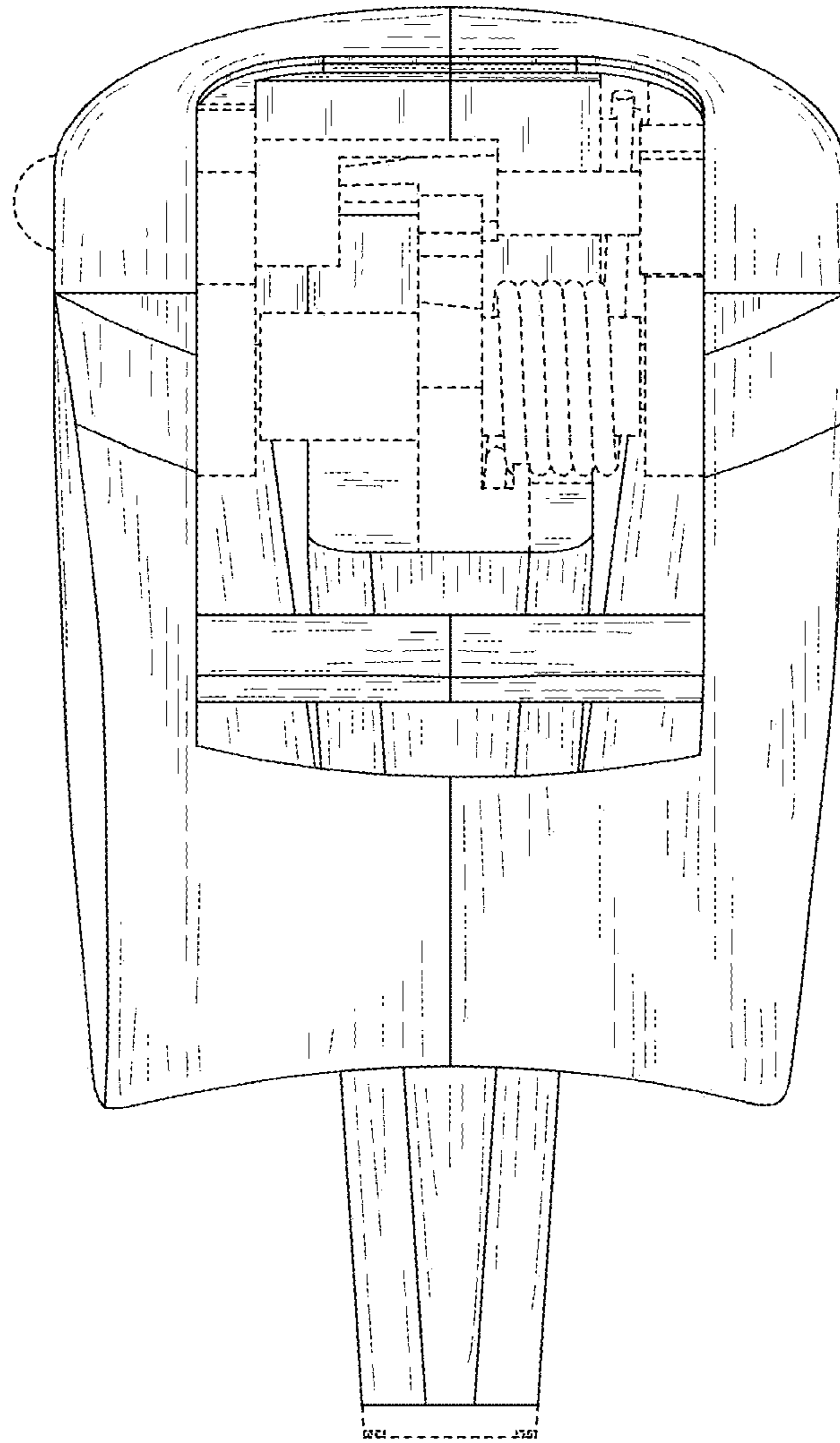


FIG. 4

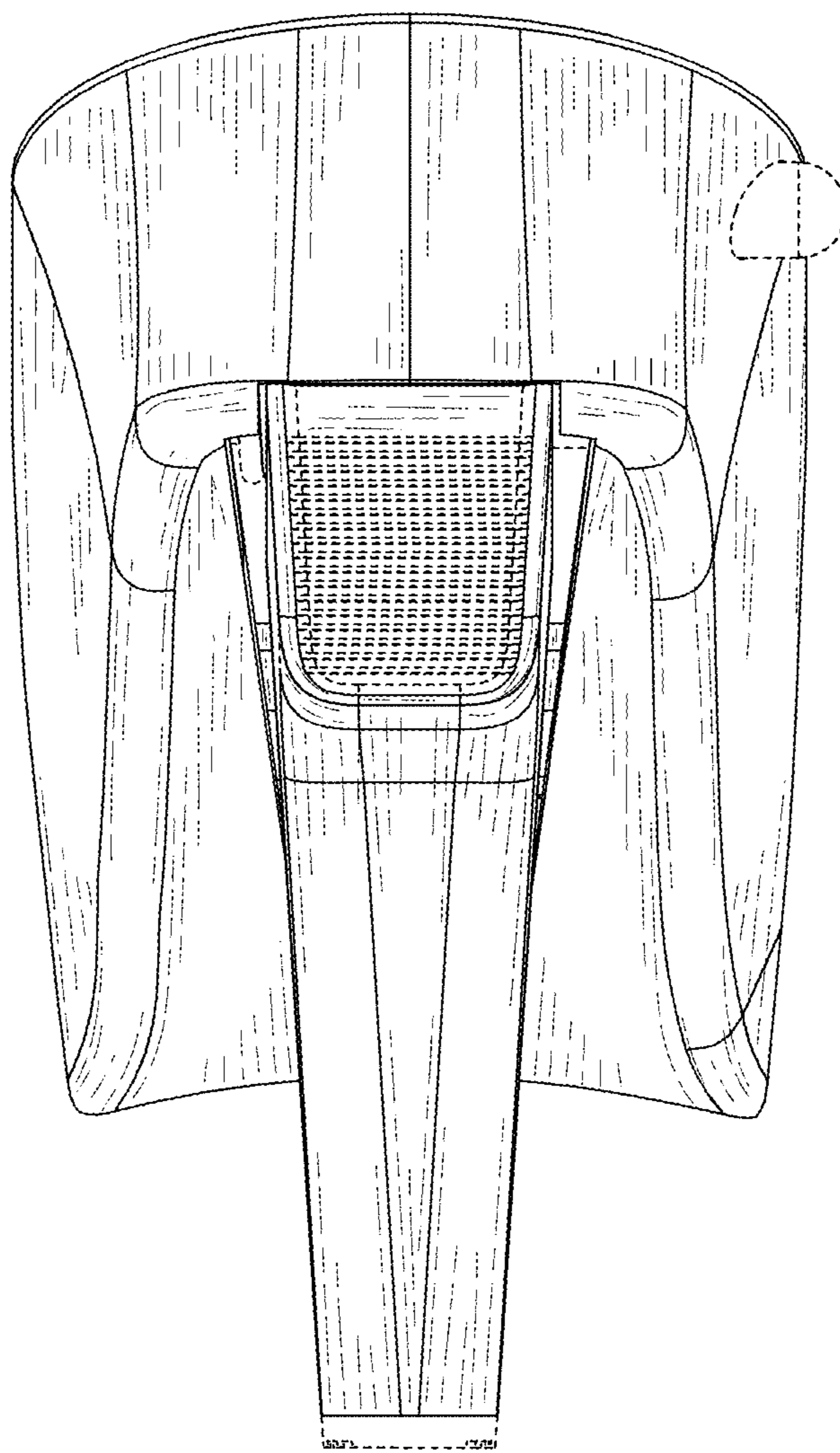


FIG. 5

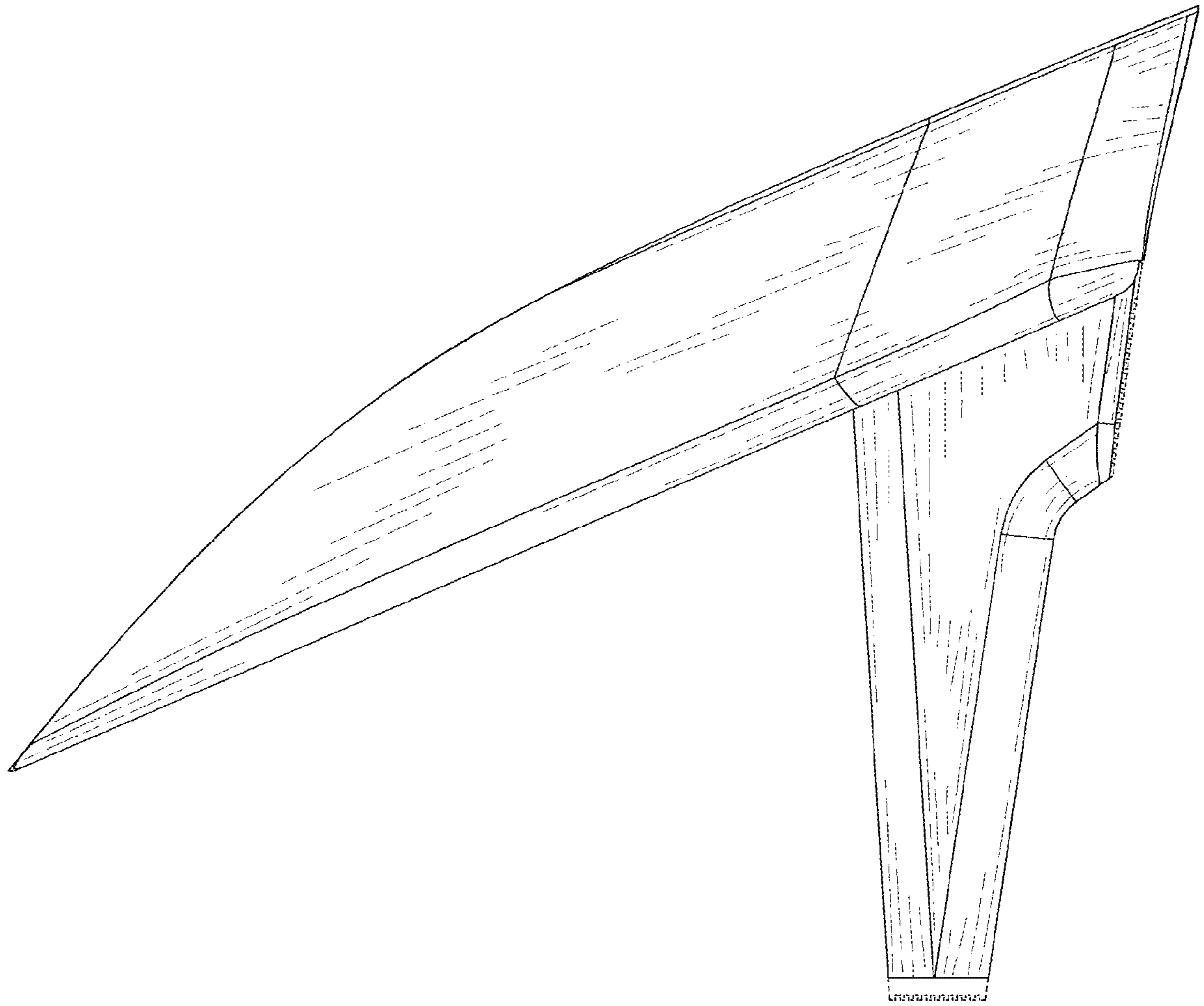


FIG. 6

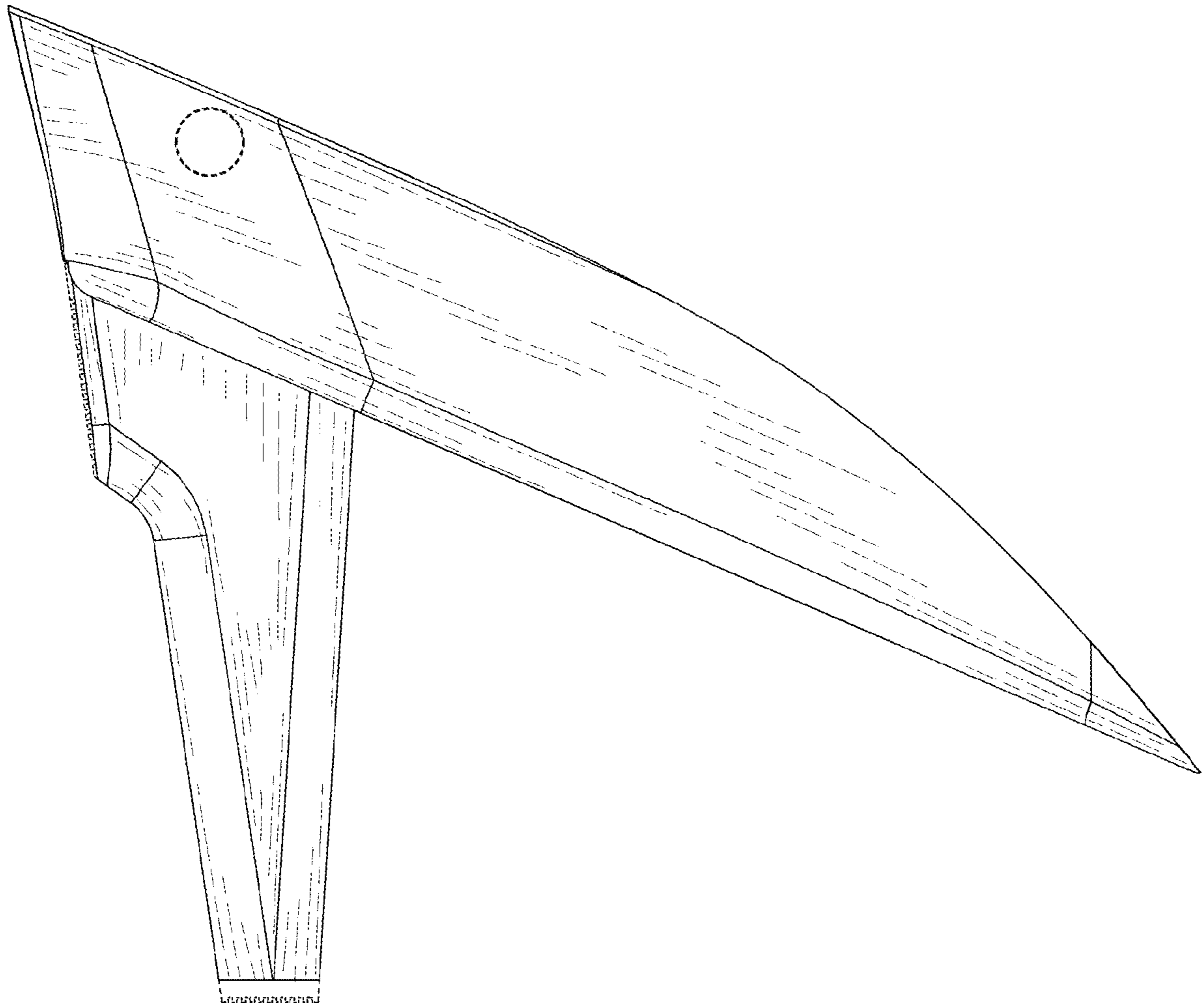


FIG. 7



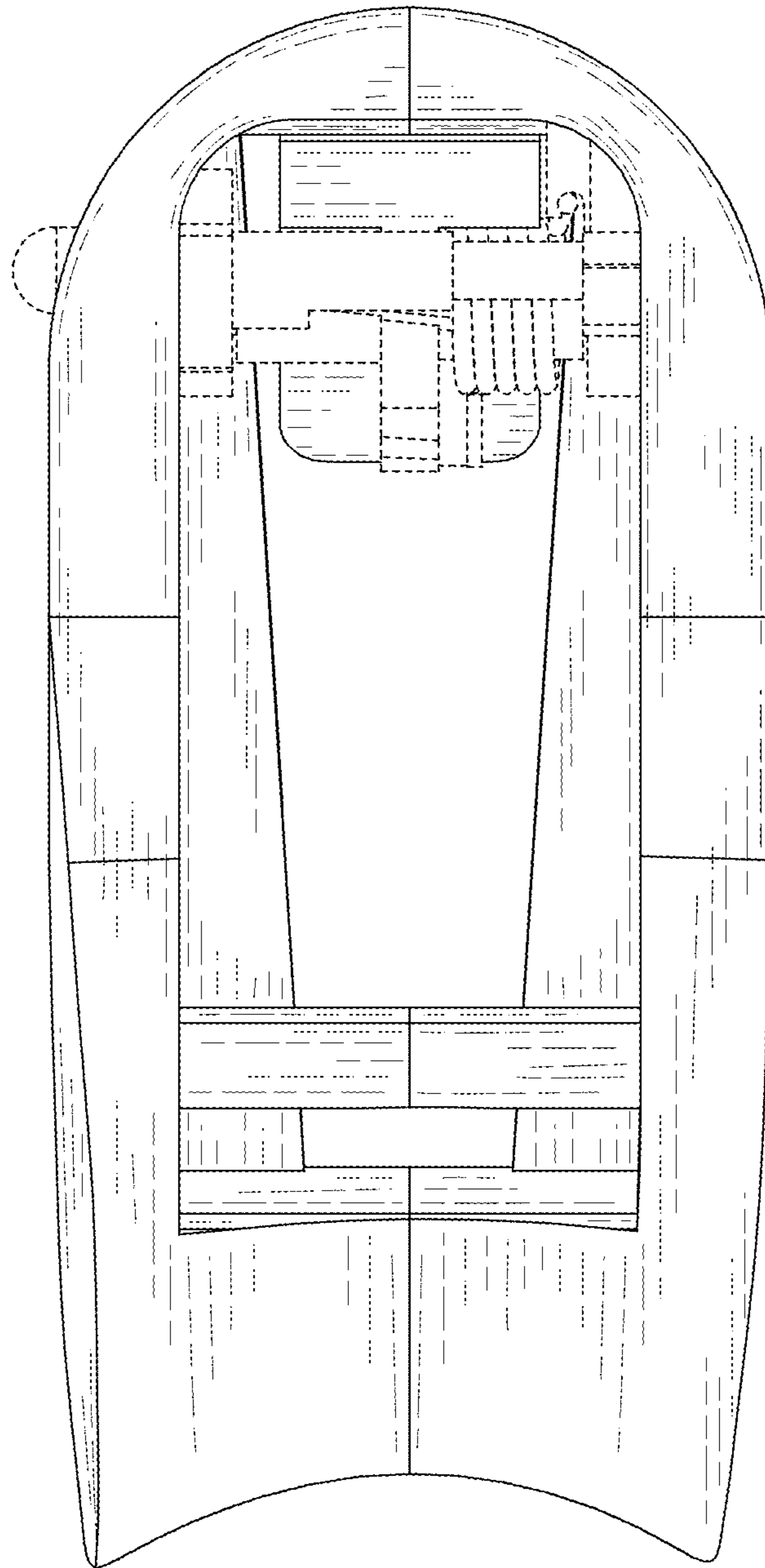


FIG. 8

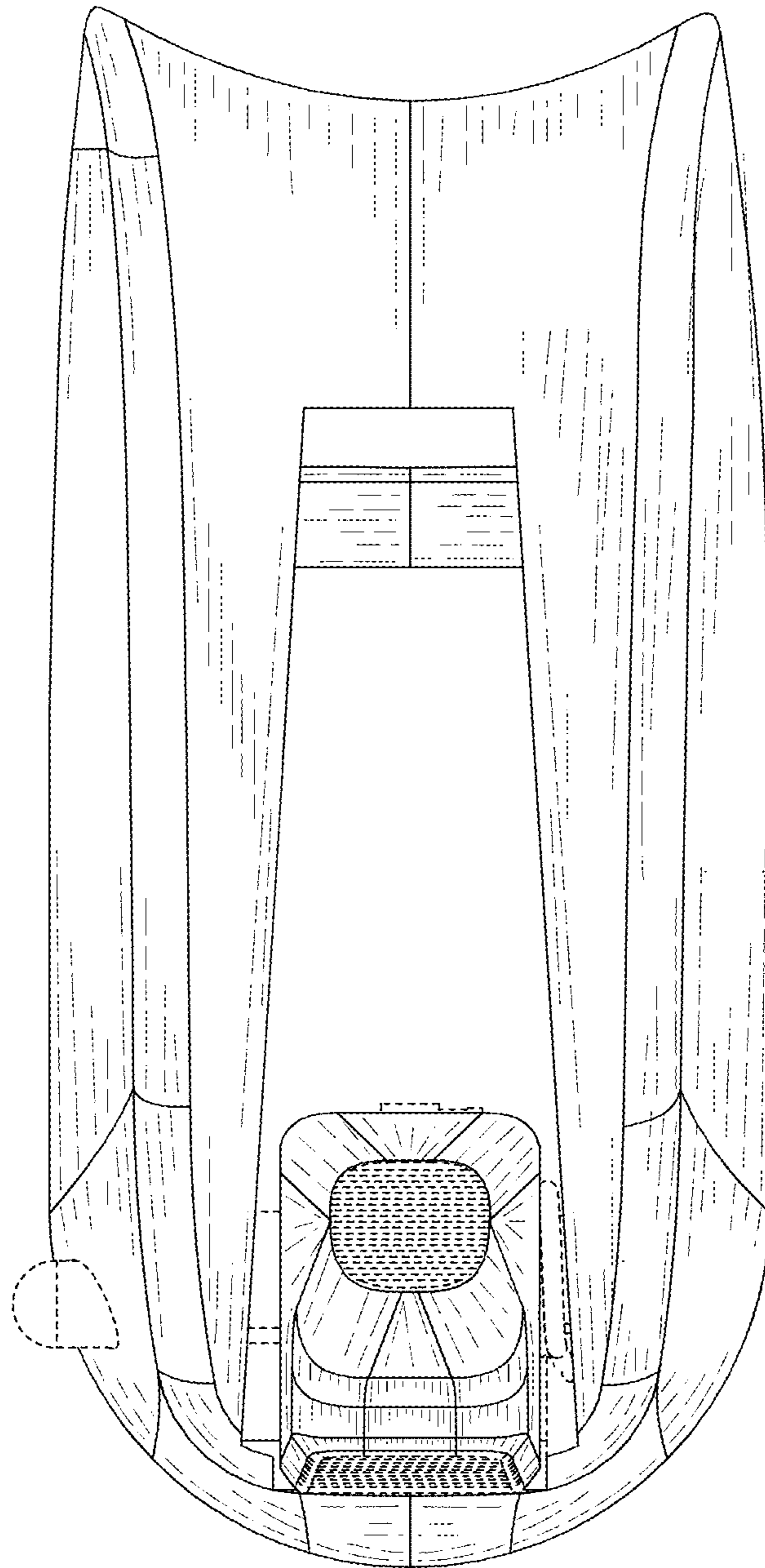


FIG. 9