



US00D874115S

(12) **United States Design Patent** (10) **Patent No.:** **US D874,115 S**
Cheskin (45) **Date of Patent:** **** Feb. 4, 2020**

(54) **METATARSAL PAD**

(71) Applicant: **Melvyn Cheskin**, Deerfield Beach, FL (US)

(72) Inventor: **Melvyn Cheskin**, Deerfield Beach, FL (US)

(**) Term: **15 Years**

(21) Appl. No.: **29/691,503**

(22) Filed: **May 16, 2019**

Related U.S. Application Data

(63) Continuation-in-part of application No. PCT/US2018/058384, filed on Oct. 31, 2018, and a continuation-in-part of application No. 15/846,791, filed on Dec. 19, 2017, now abandoned.

(51) **LOC (12) Cl.** **02-04**

(52) **U.S. Cl.**
USPC **D2/961**

(58) **Field of Classification Search**
 USPC D2/896, 914, 946–962, 969–976; 36/83, 36/88, 89, 91, 92, 93, 94, 136, 138, 43, 36/44, 45, 54, 69, 71, 100, 101, 145, 154, 36/173
 CPC A43B 1/00; A43B 1/10; A43B 1/14; A43B 7/00; A43B 7/14; A43B 7/1405; A43B 7/141; A43B 7/1415; A43B 7/142; A43B 7/1425; A43B 7/143; A43B 7/1445; A43B 7/1465; A43B 7/1475; A43B 7/149; A43B 7/1495; A43B 7/22; A43B 7/223; A43B 7/226; A43B 7/26; A43B 7/32; A43B 13/00; A43B 13/18; A43B 13/181; A43B 17/00; A43B 17/003; A43B 17/02; A43B 17/14

See application file for complete search history.

(56) **References Cited**

U.S. PATENT DOCUMENTS

1,675,711 A *	7/1928	Jones	A43B 7/144 12/146 M
1,741,419 A *	12/1929	Jones	A43B 7/14 36/145
1,745,627 A *	2/1930	Lapidus	A43B 7/1445 36/182
1,746,002 A *	2/1930	Lobel	A43B 7/14 36/180
1,768,491 A *	6/1930	Richardson et al.	A43B 7/14 36/182
1,775,202 A *	9/1930	Johnson	A43B 7/1445 36/162
1,809,731 A *	6/1931	Scholl	A43B 7/141 36/179
1,827,044 A *	10/1931	Simon	A43B 7/14 12/142 N

(Continued)

Primary Examiner — Elizabeth J Oswecki

(74) *Attorney, Agent, or Firm* — Melvin K. Silverman

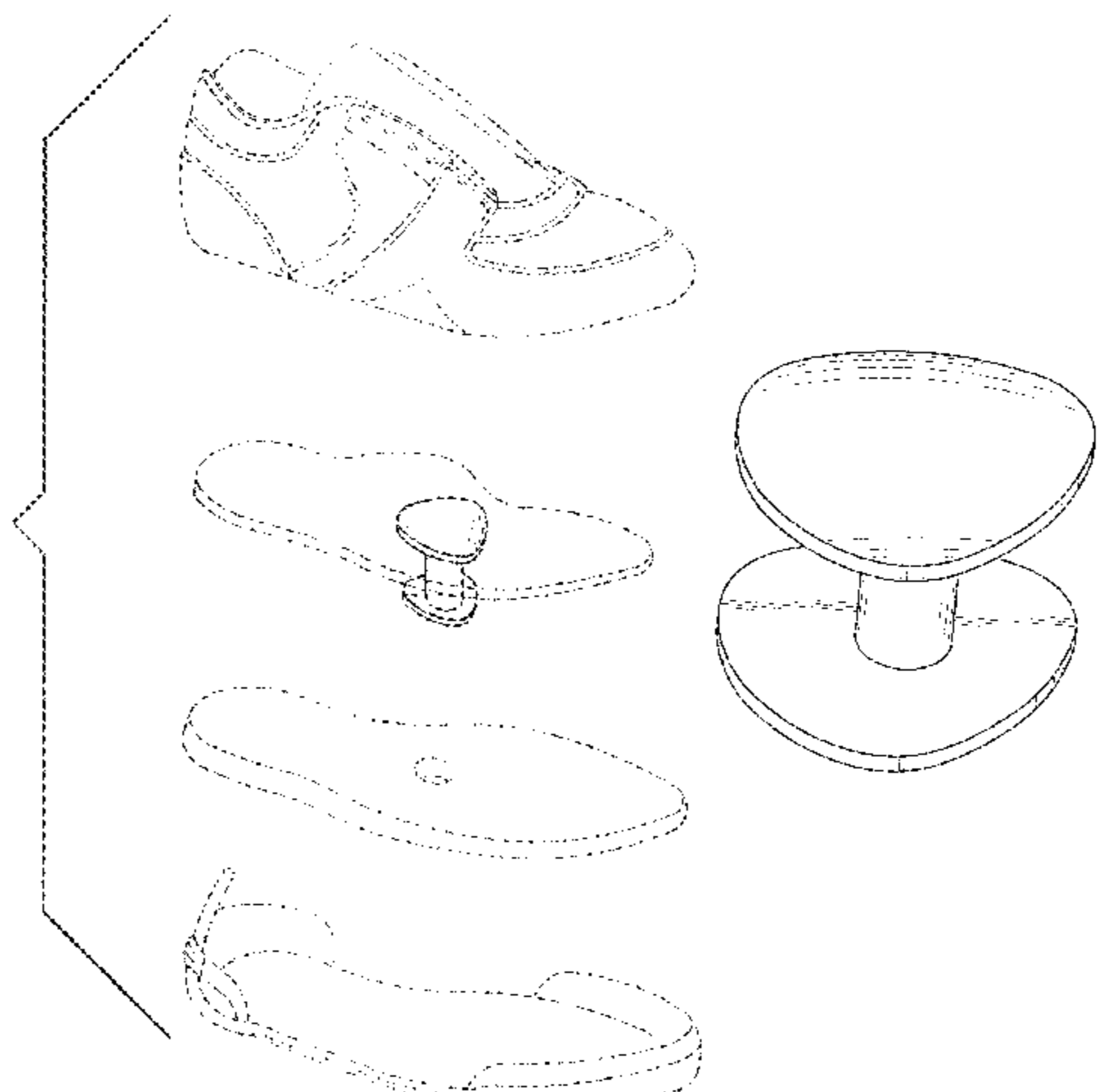
(57) **CLAIM**

The ornamental design for a metatarsal pad, as shown and described.

DESCRIPTION

FIG. 1 is an exploded perspective view of a metatarsal pad showing my new design, shown in a used condition with a shoe shown in broken lines;
 FIG. 2 is a perspective view thereof, shown in an unused condition;
 FIG. 3 is a side view thereof;
 FIG. 4 is an opposite side view thereof; and,
 FIG. 5 is a bottom plan view thereof.
 The broken lines showing portions of the attachable shoe in FIG. 1 are for the purpose of illustrating environmental structure only and do not form part of the claimed design.
 All surfaces not shown form no part of the claimed design.

1 Claim, 5 Drawing Sheets



(56)

References Cited

U.S. PATENT DOCUMENTS

1,837,488 A *	12/1931	Romero	A43B 7/142	36/180	2,286,495 A *	6/1942	Matteson	A43B 13/20	36/153
1,860,595 A *	5/1932	Reed	A43B 7/1445	36/163	2,468,887 A *	5/1949	Malouf	A43B 7/143	36/178
1,907,136 A *	5/1933	Weitsen	A43B 7/14	36/145	2,475,417 A *	7/1949	Wysowski	A43B 7/1445	36/145
1,927,889 A *	9/1933	Doty	A43B 7/14	36/182	2,591,378 A *	4/1952	Scholl	A43B 7/1445	602/30
1,947,000 A *	2/1934	Benning	A43B 7/142	36/162	2,600,864 A *	6/1952	Fuller	A43B 7/1415	36/164
1,953,048 A *	3/1934	Crompton	A43B 7/1445	36/145	2,765,546 A *	10/1956	Johnson	A43B 7/1415	36/162
1,981,920 A *	11/1934	Lelyveld	A43B 7/1445	36/162	2,917,846 A *	12/1959	Scholl	A43B 7/142	36/145
2,050,210 A *	8/1936	Griffin	A43B 7/14	36/145	3,084,695 A *	4/1963	O'Donnell	A43B 7/142	36/174
2,070,116 A *	2/1937	Cuttillo	A43B 7/14	36/169	4,934,073 A *	6/1990	Robinson	A43B 5/00	36/103
2,070,404 A *	2/1937	Hiles	A43B 7/1445	36/162	D351,719 S *	10/1994	Piotrowicz	D2/961	
2,101,761 A *	12/1937	Stagl	A43B 7/14	36/145	D388,946 S *	1/1998	Lin	D2/896	
2,253,429 A *	8/1941	Hess	A43B 7/14	36/180	D396,341 S *	7/1998	Lozano	D2/961	
						D571,989 S *	7/2008	Siegal	D2/961	
						D578,299 S *	10/2008	Dennis	D2/946	
						D607,194 S *	1/2010	Zagula	D2/961	
						D655,076 S *	3/2012	Rosenberg	D2/961	
						D665,987 S *	8/2012	El	D2/976	
						D806,999 S *	1/2018	Donahue	D2/946	
						D822,979 S *	7/2018	Wang	D2/976	

* cited by examiner

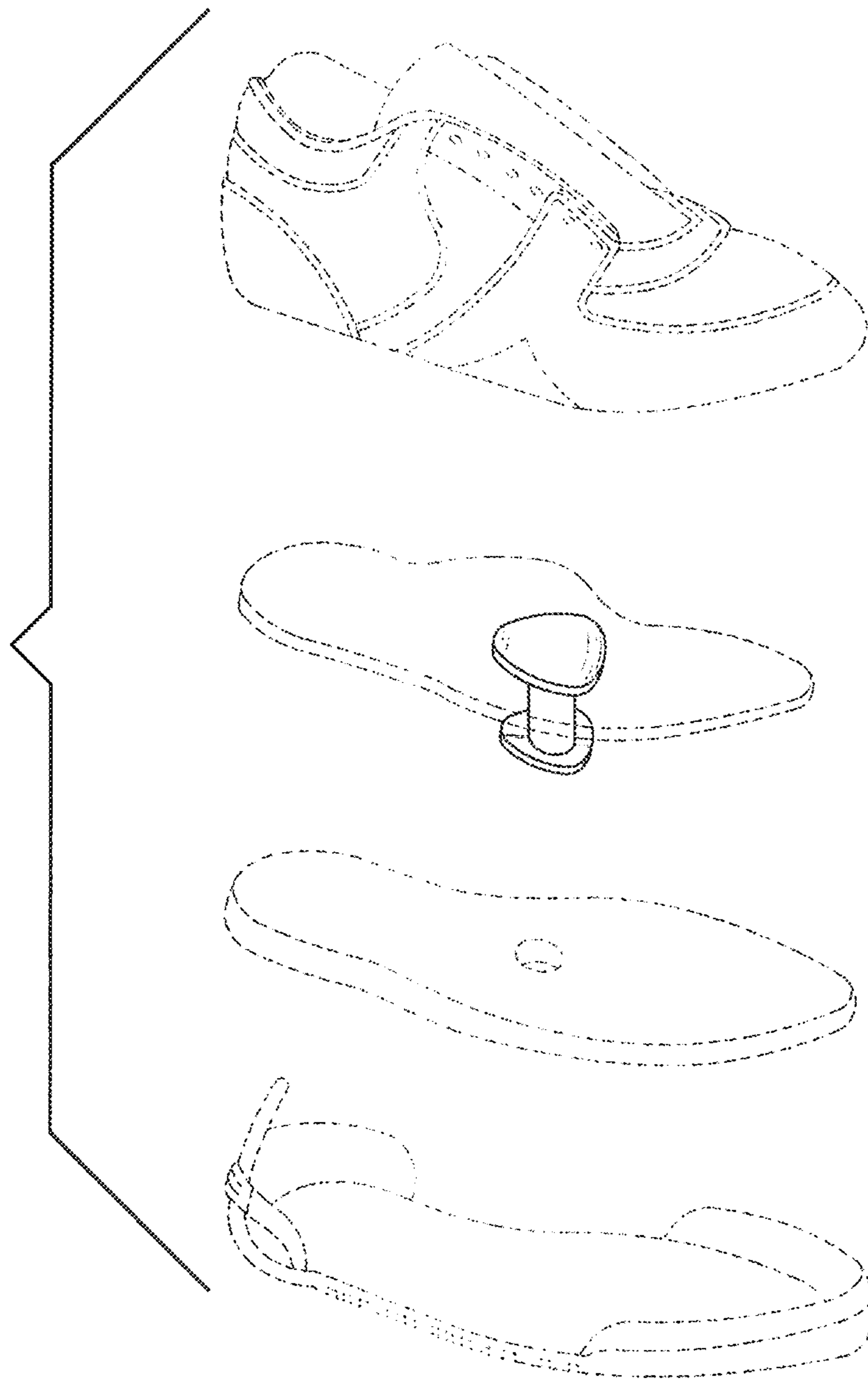


FIG. 1

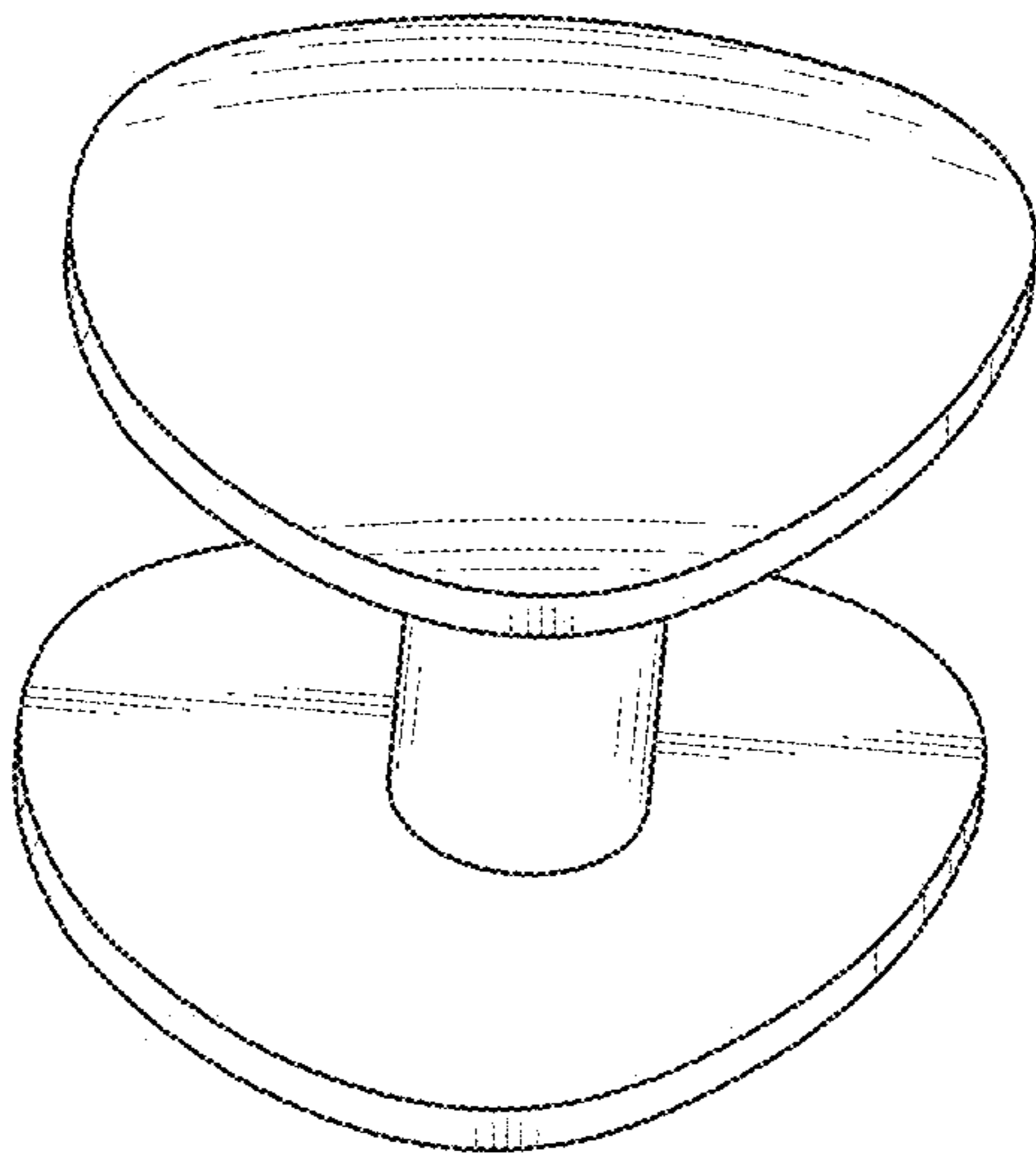


FIG. 2

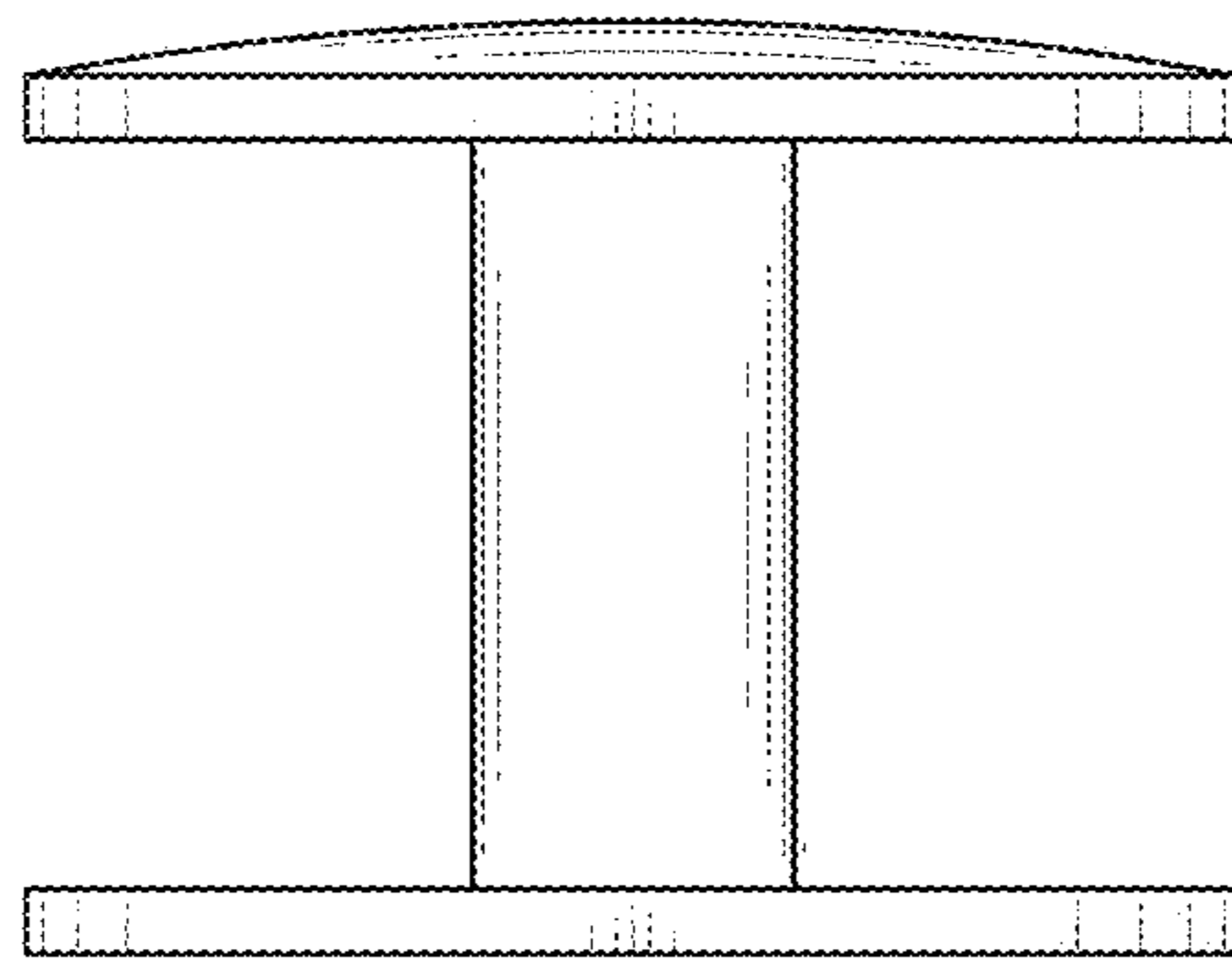


FIG. 3

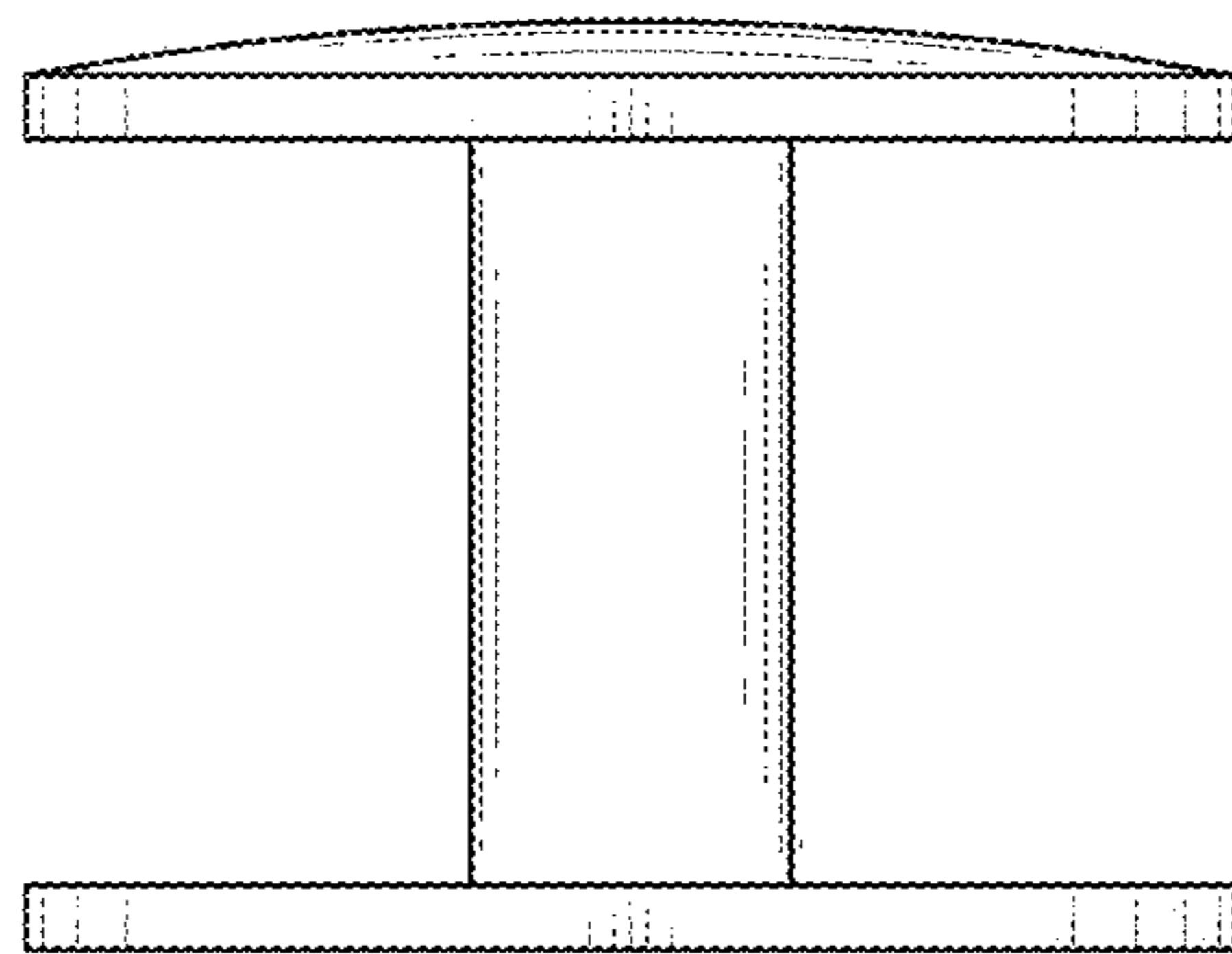


FIG. 4

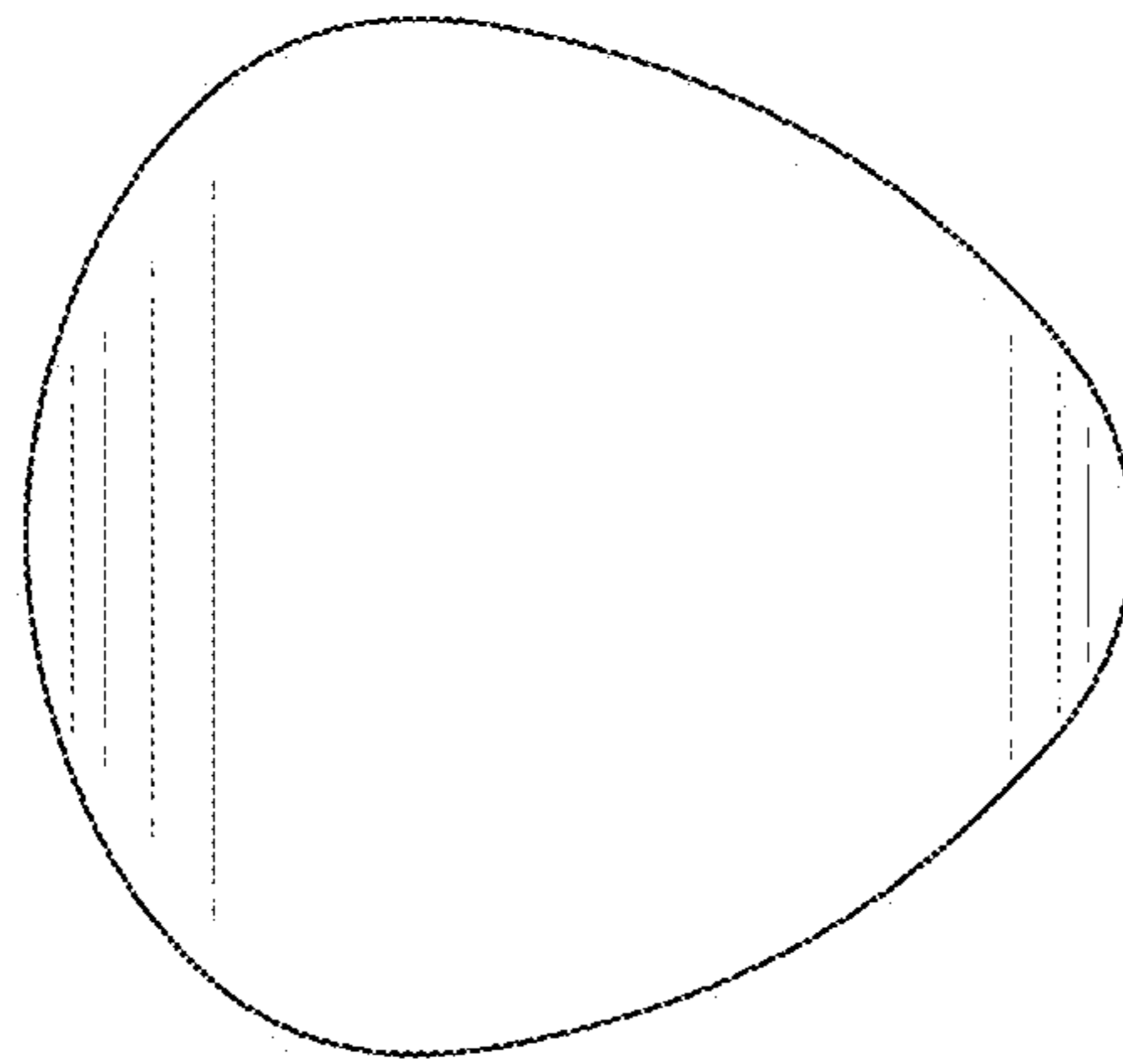


FIG. 5