



US00D874105S

(12) **United States Design Patent**
Rauner et al.

(10) **Patent No.:** **US D874,105 S**

(45) **Date of Patent:** **** Feb. 4, 2020**

(54) **SHOE**

(71) Applicant: **Converse Inc.**, Boston, MA (US)

(72) Inventors: **Amy N. Rauner**, Somerville, MA (US);
Matthew Sleep, Boston, MA (US)

(73) Assignee: **Converse Inc.**, Boston, MA (US)

(**) Term: **15 Years**

(21) Appl. No.: **29/689,875**

(22) Filed: **May 2, 2019**

(51) **LOC (12) Cl.** **02-04**

(52) **U.S. Cl.**
USPC **D2/947**; D2/951; D2/953; D2/960

(58) **Field of Classification Search**
USPC D2/902, 906, 908, 916, 918, 925,
D2/946-962, 977; 36/3 B, 22 R, 24.5,
36/25 R, 28, 32 R, 34 R, 59 C, 67 A, 103
CPC A43B 13/00; A43B 13/02; A43B 13/023;
A43B 13/026; A43B 13/04; A43B 13/08;
A43B 13/10; A43B 13/12; A43B 13/14;
A43B 13/141; A43B 13/143; A43B
13/16; A43B 13/18; A43B 13/181; A43B
13/187; A43B 13/189; A43B 13/20; A43B
13/22; A43B 13/223; A43B 13/24; A43B
13/28; A43B 13/30; A43B 13/32; A43B
13/34; A43B 13/36

See application file for complete search history.

(56) **References Cited**
U.S. PATENT DOCUMENTS

D163,956 S * 7/1951 Capdevila D2/960
2,710,461 A * 6/1955 Hack A43B 13/184
36/28
2,833,057 A * 5/1958 Hack A43B 13/184
36/59 C
D185,462 S 6/1959 Ratner

2,930,149 A * 3/1960 Hack A43B 13/181
36/28
2,937,462 A * 5/1960 Hack A43B 13/223
36/149
D189,839 S * 3/1961 Nakashima D2/917
D190,162 S * 4/1961 Hubbard D2/960
2,981,011 A * 4/1961 Lombardo A43B 13/223
36/59 R
3,444,632 A * 5/1969 Hack A43B 13/184
36/32 R
3,470,879 A * 10/1969 Meiller A43B 13/14
36/142
D241,586 S 9/1976 Sebestik
D266,797 S 11/1982 Lucarelli et al.
D268,299 S 3/1983 Argyropoulos
D273,437 S 4/1984 Kohno
D287,184 S 12/1986 Sironi
4,631,842 A * 12/1986 Koskela A43B 13/26
36/103

(Continued)

OTHER PUBLICATIONS

Nike Footwear Catalog 1996 Spring Footwear p. 176.

(Continued)

Primary Examiner — T. Chase Nelson

(74) *Attorney, Agent, or Firm* — Banner & Witcoff, Ltd.

(57) **CLAIM**

The ornamental design for a shoe, as shown and described.

DESCRIPTION

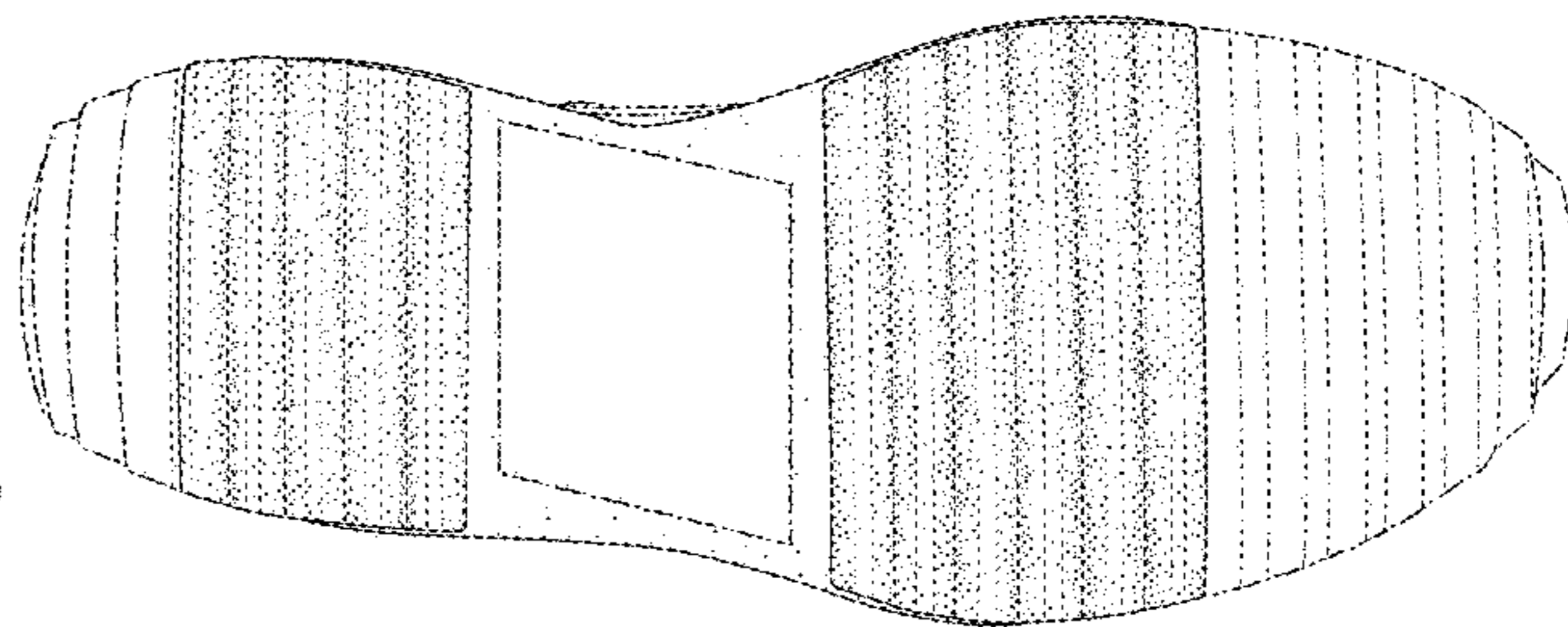
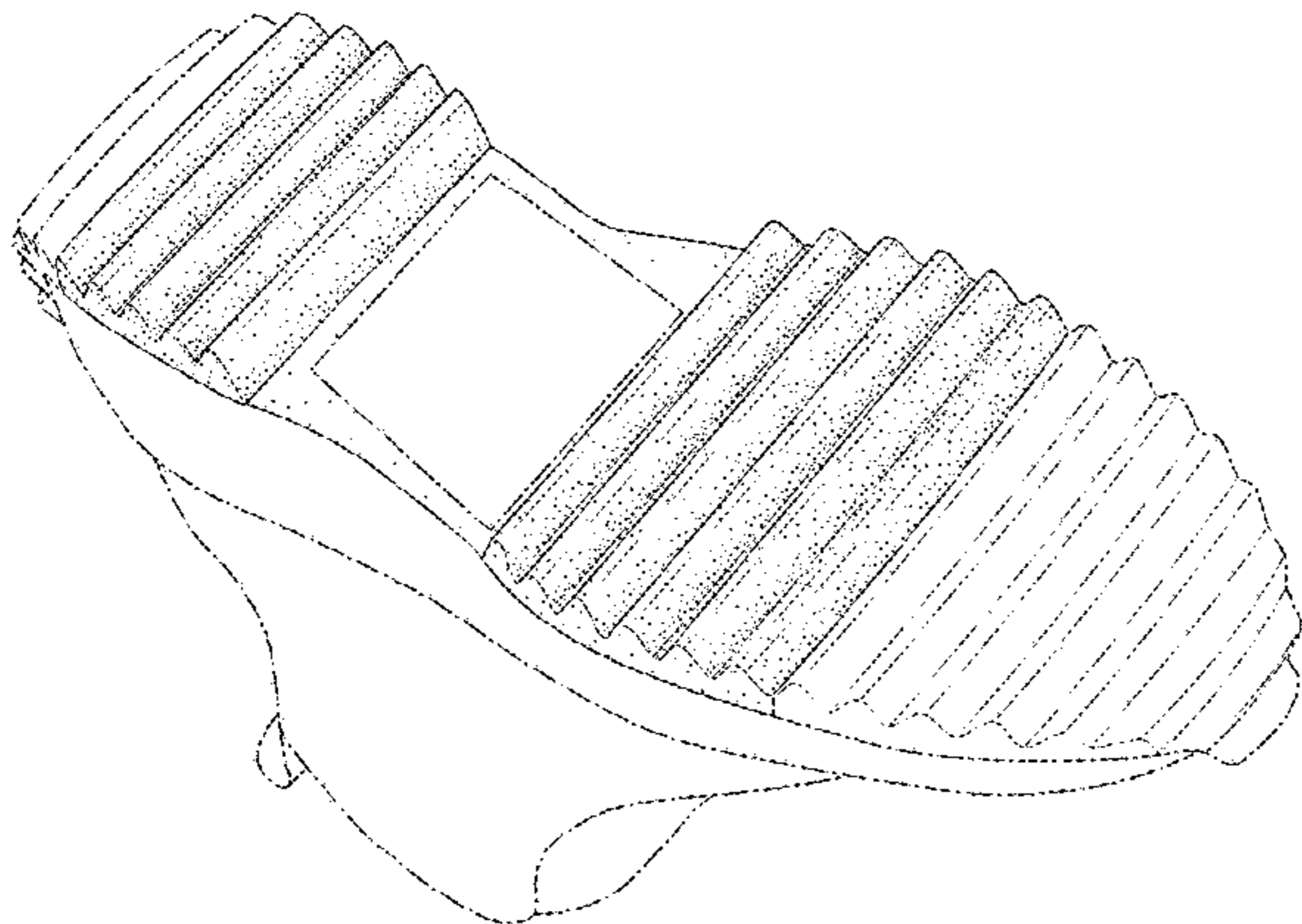
FIG. 1 is a front bottom perspective view of a shoe showing our new design;

FIG. 2 is a bottom view thereof; and,

FIG. 3 is a rear bottom perspective view thereof.

The unshaded broken line region within the shaded area forms no part of the claimed design. The broken lines depicting the remainder of the shoe show features that form no part of the claimed design.

1 Claim, 3 Drawing Sheets



(56)

References Cited

U.S. PATENT DOCUMENTS

D316,930 S * 5/1991 Bernasconi D2/957
 D339,463 S 9/1993 Dyer et al.
 D350,434 S 9/1994 Goldstein
 D356,436 S 3/1995 Sutton et al.
 D388,597 S 1/1998 Gavigan
 D398,440 S * 9/1998 Rowland D2/951
 5,987,782 A * 11/1999 Bramani A43B 3/0057
 36/107
 D421,586 S 3/2000 Toms
 6,041,518 A * 3/2000 Polycarpe A43B 3/0005
 36/2.6
 D490,225 S 5/2004 McClaskie
 D503,028 S * 3/2005 Merceron A43B 13/181
 D2/947
 D514,288 S * 2/2006 Burg D2/947
 D526,377 S 8/2006 Edwards
 D586,995 S 2/2009 Chen
 D593,742 S 6/2009 Issler
 D622,490 S 8/2010 McClaskie
 D624,294 S 9/2010 Skovgaard
 D649,754 S * 12/2011 Callahan A43B 13/184
 D2/951
 D660,568 S 5/2012 Blakeslee
 D667,619 S 9/2012 Blakeslee
 D713,134 S * 9/2014 Hardigan A43B 7/32
 D2/951
 D730,640 S * 6/2015 Spring D2/951
 D738,077 S 9/2015 Montross et al.
 D774,741 S 12/2016 Mokos et al.
 D776,413 S 1/2017 Mokos et al.
 D808,626 S * 1/2018 Matsui A43B 13/26
 D2/960
 D819,944 S 6/2018 Martin
 D820,570 S 6/2018 Mokos et al.
 D827,257 S 9/2018 Ringholz et al.
 D832,564 S 11/2018 Mokos et al.
 D844,960 S * 4/2019 Cooper A43B 13/14
 D2/957
 D845,601 S 4/2019 Cooper

D848,713 S 5/2019 Blauer
 D861,309 S * 10/2019 Wang A43B 13/223
 D2/957
 D862,056 S * 10/2019 Wang D2/947
 D862,859 S * 10/2019 Gerig A43B 13/184
 D2/960
 2012/0167416 A1 * 7/2012 Christensen A43B 7/32
 36/103
 2016/0136910 A1 * 5/2016 Krajcir B29D 35/10
 12/146 B

OTHER PUBLICATIONS

Nike Footwear Catalog 1996 Spring Footwear p. 178.
 Nike Footwear Catalog 1996 Late Spring Footwear p. 5.
 Nike Footwear Catalog 1999 Late Spring Footwear p. M66.
 Nike Footwear Catalog 2000 Fall Footwear Red Cover p. 45.
 Nike Footwear Catalog 2007 Fall Footwear p. 51.
 Nike Footwear Catalog 2008 Spring Footwear p. 201.
 Nike Footwear Catalog 2011 Fall Men's Energy Icons Footwear p. 3.
 Nike Footwear Catalog 2013 Spring Mens Sportswear Footwear Best p. 17.
 Nike Footwear Catalog 2014 Fall City Specialty Footwear Best Final p. 72.
 Nike Footwear Catalog 2015 Spring Men's Performance Footwear p. 6.
 Nike Footwear Catalog, 1982 Footwear, p. 1, published Jan. 1982, NIKE, Inc., USA.
 Nike Footwear Catalog, 1982 Footwear, p. 11, published Jan. 1982, NIKE, Inc., USA.
 Nike Footwear Catalog, 1984 Footwear, p. 33, published Nov. 1983, NIKE, Inc., USA.
 Nike Footwear Catalog, 2003 Fall Footwear, p. 6, published Nov. 2002, NIKE, Inc., USA.
 Nike Footwear Catalog, 2014 Spring Women's NIKE Sportswear Footwear Best, p. 11, published May 17, 2013, NIKE, Inc., USA.
 U.S. Appl. No. 29/689,878.

* cited by examiner

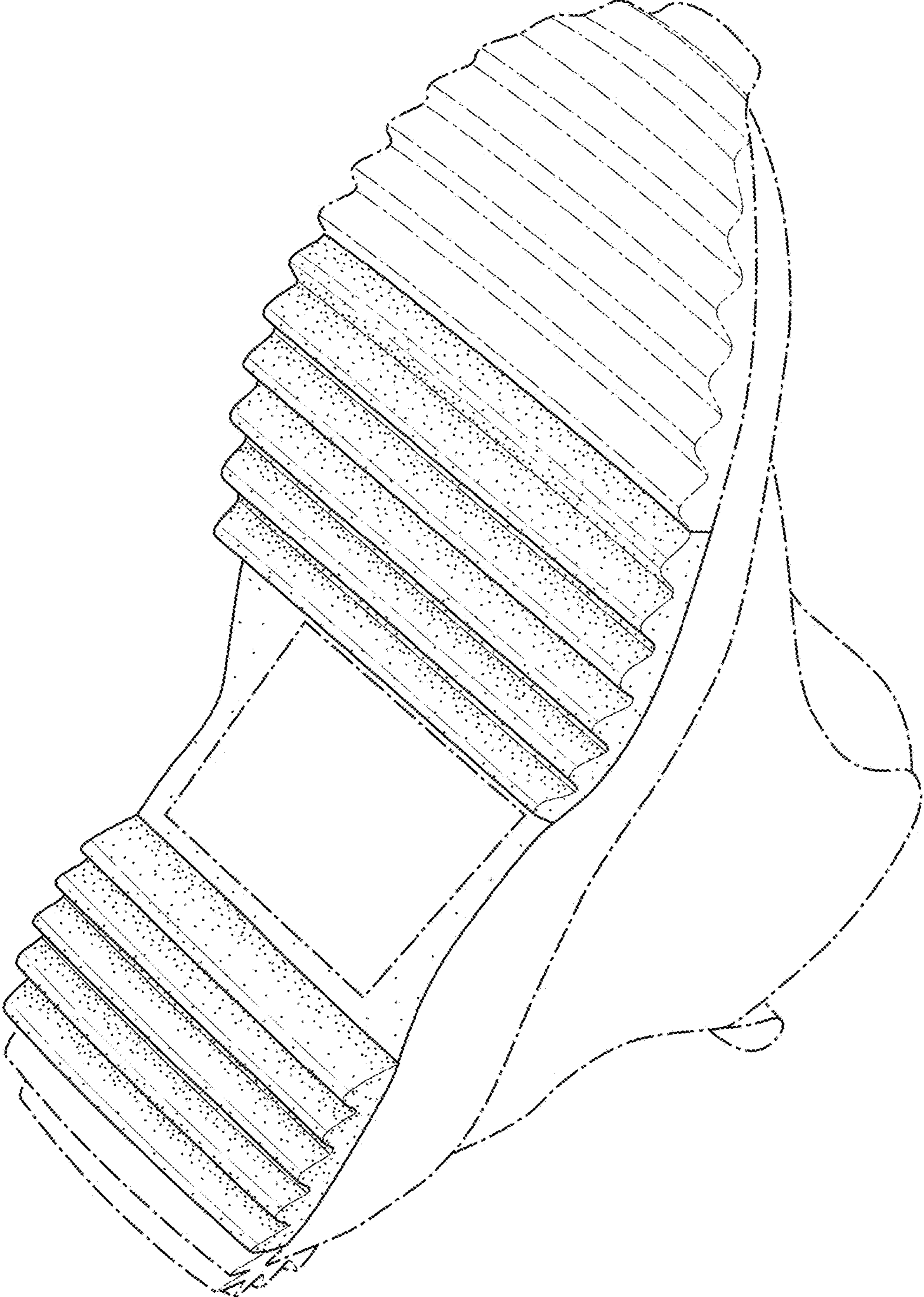


FIG. 1

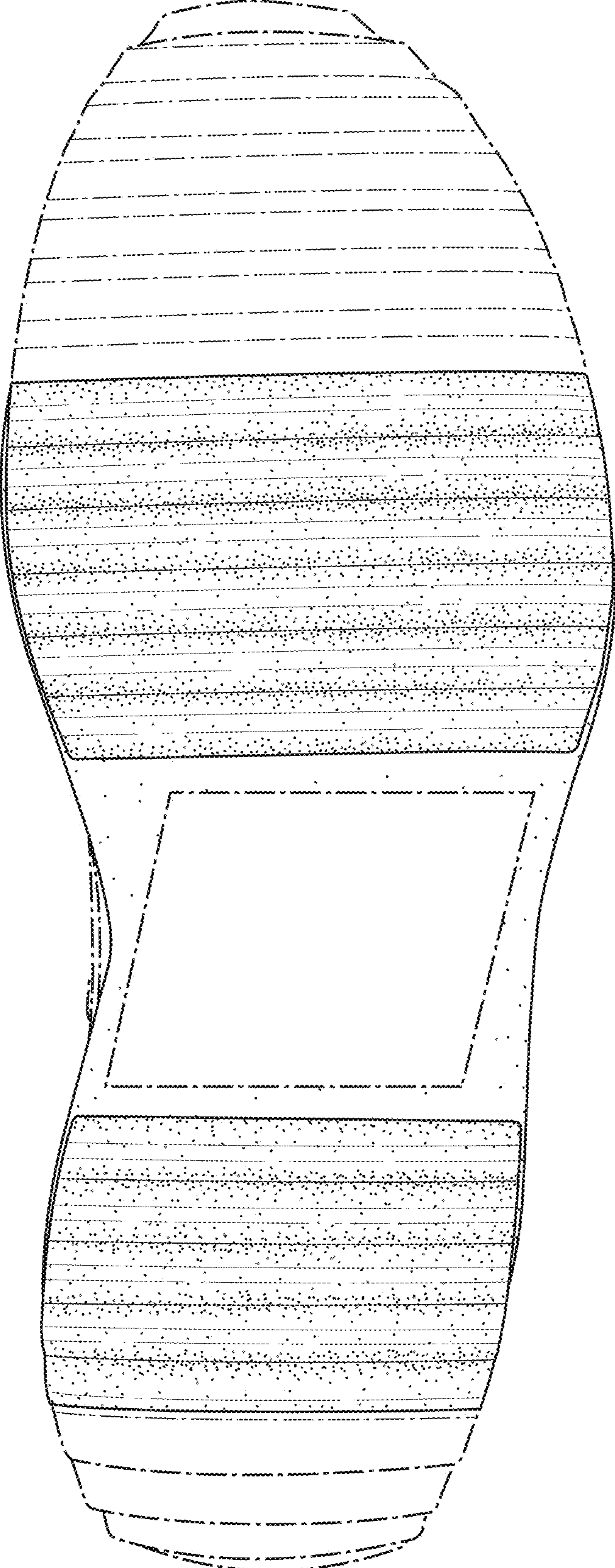


FIG. 2

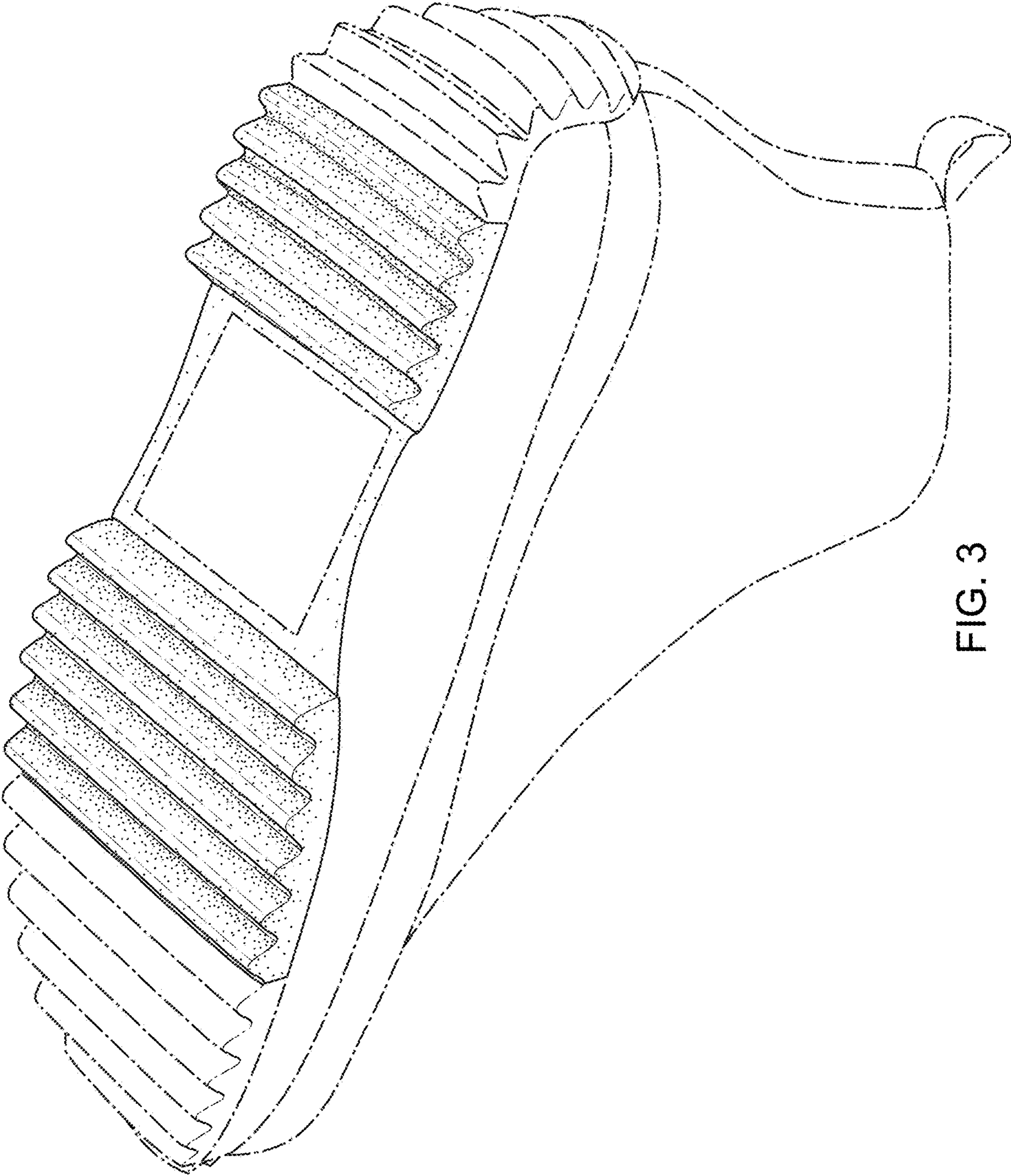


FIG. 3