



US00D874087S

(12) **United States Design Patent** (10) **Patent No.:** **US D874,087 S**  
**Amoako-Poku et al.** (45) **Date of Patent:** **\*\* Feb. 4, 2020**

(54) **CONFECTION**

(71) Applicant: **INTERCONTINENTAL GREAT BRANDS LLC**, East Hanover, NJ (US)

(72) Inventors: **Francis Amoako-Poku**, Whippany, NJ (US); **Susan Pettigrew**, Whippany, NJ (US); **Doris Tancredi**, Whippany, NJ (US); **Zi Yang**, Whippany, NJ (US); **Kishor Kabse**, Whippany, NJ (US); **Atsushi Ueminami**, Kanagawa (JP)

(73) Assignee: **INTERCONTINENTAL GREAT BRANDS LLC**, East Hanover, NJ (US)

(\*\*) Term: **15 Years**

(21) Appl. No.: **29/677,940**

(22) Filed: **Jan. 24, 2019**

**Related U.S. Application Data**

(60) Division of application No. 29/642,056, filed on Mar. 27, 2018, now Pat. No. Des. 843,681, which is a division of application No. 29/607,889, filed on Jun. 16, 2017, now Pat. No. Des. 822,333, which is a division of application No. 29/557,231, filed on Mar. 7, 2016, now Pat. No. Des. 796,775, which is a continuation-in-part of application No. 29/538,880, filed on Sep. 9, 2015, now abandoned.

(51) **LOC (12) Cl.** ..... **01-01**

(52) **U.S. Cl.**  
USPC ..... **D1/127**

(58) **Field of Classification Search**  
USPC ..... D1/100–130, 199; 426/74, 92–94, 104, 426/134, 138, 143, 275, 277, 279, 426/281–284, 292, 295, 391, 439, 496, 426/514, 566, 572, 660; 249/92; D21/623, 803, 386; 119/710; D7/359; D25/113, 118, 138; D23/366  
CPC .... A23L 1/1641; A23L 1/1643; A23L 1/1817; A23L 1/2175

See application file for complete search history.

(56) **References Cited**

**U.S. PATENT DOCUMENTS**

1,267,320 A 5/1918 Fries  
1,771,506 A 7/1930 Mustin  
1,771,981 A 7/1930 Mustin  
1,771,982 A 7/1930 Mustin

(Continued)

**FOREIGN PATENT DOCUMENTS**

CN 1668210 A 9/2005  
CN 101378664 A 3/2009

(Continued)

**OTHER PUBLICATIONS**

Amoako-Poku et al., U.S. Appl. No. 14/771,323, entitled “Chewing Gum Snacks; and Method of Making Thereof”, filed with the USPTO on Aug. 28, 2015.

(Continued)

*Primary Examiner* — Katie Jane Stofko

(74) *Attorney, Agent, or Firm* — Cantor Colburn LLP

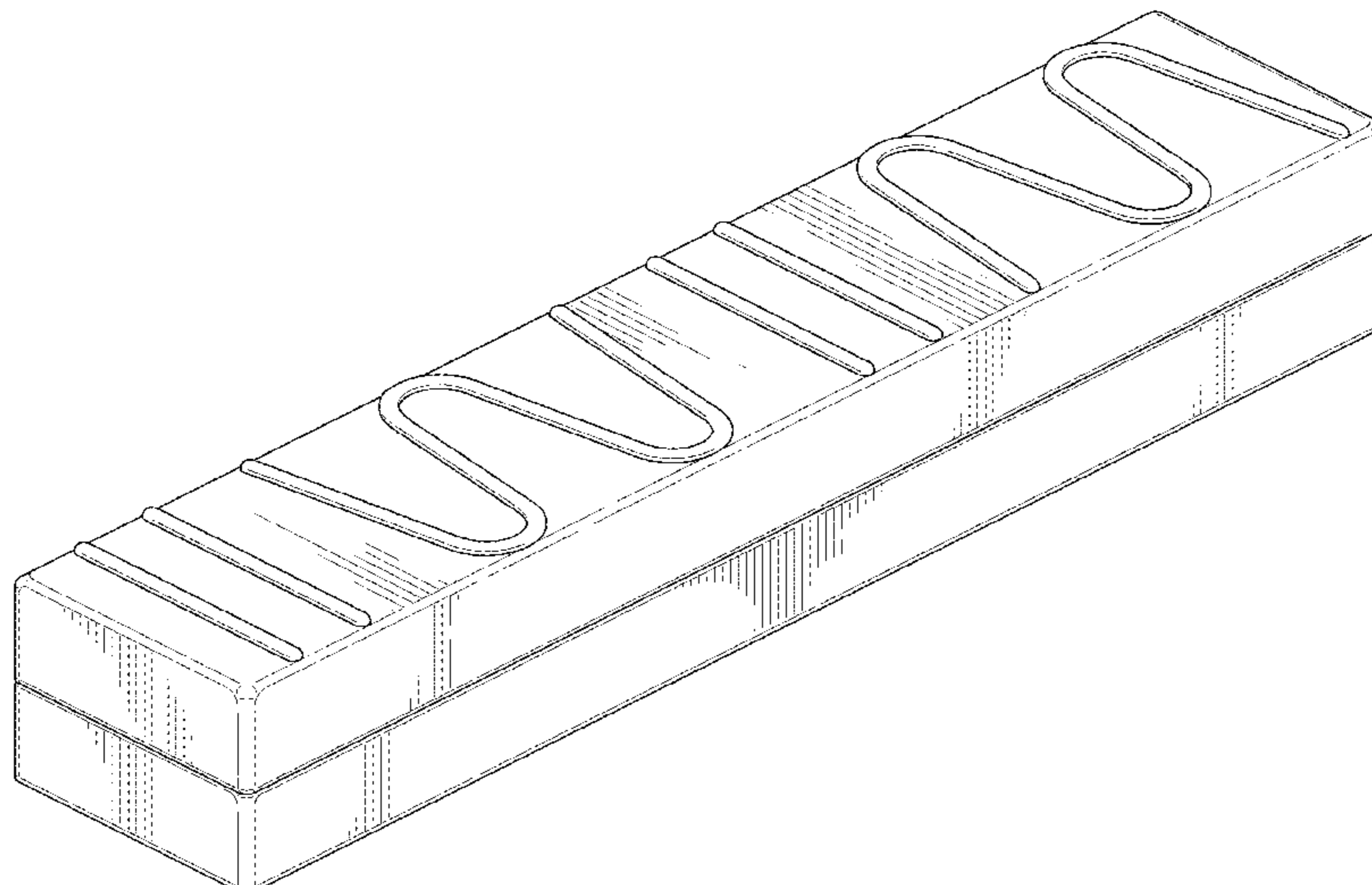
(57) **CLAIM**

We claim, the ornamental design for a confection, as shown and described.

**DESCRIPTION**

FIG. 1 is a perspective view of a confection, showing our new design;  
FIG. 2 is a left side elevation view thereof;  
FIG. 3 is a right side elevation view thereof;  
FIG. 4 is a front elevation view thereof;  
FIG. 5 is a rear elevation view thereof;  
FIG. 6 is a top plan view thereof; and,  
FIG. 7 is a bottom plan view thereof.

**1 Claim, 4 Drawing Sheets**



(56)

References Cited

U.S. PATENT DOCUMENTS

D90,687 S 9/1933 Sherrill  
 D90,688 S 9/1933 Sherrill  
 D91,644 S 3/1934 Blackstone  
 2,019,653 A 11/1935 Buyer  
 D98,858 S 3/1936 Gager  
 2,217,392 A 10/1940 Warfield, Jr.  
 D170,362 S 9/1953 Opler  
 3,492,131 A 1/1970 Schlatter  
 3,969,513 A 7/1976 Canonne  
 D243,855 S 3/1977 Hynes  
 D245,340 S 8/1977 Johnson  
 4,352,824 A 10/1982 Puglia et al.  
 4,455,320 A 6/1984 Syrmis  
 4,587,128 A 5/1986 Cummings  
 4,619,834 A 10/1986 Zanno et al.  
 D291,242 S 8/1987 Harden et al.  
 4,741,905 A 5/1988 Huzinec  
 4,847,090 A 7/1989 Della Posta et al.  
 4,946,696 A 8/1990 Nendl et al.  
 D310,579 S 9/1990 Ni et al.  
 5,017,385 A 5/1991 Wienecke  
 D318,360 S \* 7/1991 Sam ..... D1/129  
 5,061,218 A 10/1991 Garage et al.  
 D330,794 S 11/1992 Kesdekoglu  
 D334,645 S 4/1993 Kennedy  
 D358,927 S 6/1995 Davis et al.  
 D360,969 S 8/1995 Uecker et al.  
 5,437,879 A 8/1995 Kabse et al.  
 5,679,397 A 10/1997 Kuroda et al.  
 D387,431 S 12/1997 Tremblay  
 5,879,728 A 3/1999 Graff et al.  
 D426,933 S 6/2000 Redfern  
 D428,682 S 8/2000 Rapaport  
 6,200,611 B1 3/2001 Ganesan et al.  
 D463,866 S 10/2002 Jang  
 D468,839 S 1/2003 Bland  
 6,506,424 B2 1/2003 Nielsen et al.  
 D487,181 S 3/2004 Ghaffari et al.  
 D499,228 S 12/2004 Malina et al.  
 D508,302 S 8/2005 Malina et al.  
 D518,274 S \* 4/2006 Palmer, Jr. .... D1/127  
 7,078,052 B2 7/2006 Ream et al.  
 7,214,396 B2 5/2007 Rivier  
 D557,877 S 12/2007 Maly et al.  
 D560,876 S 2/2008 Rosso  
 D571,978 S 7/2008 Yusufov  
 7,452,558 B2 11/2008 Jani et al.  
 D588,778 S 3/2009 Winward et al.  
 D588,779 S 3/2009 Winward et al.  
 D595,855 S \* 7/2009 Petersen ..... D24/155  
 D652,952 S 1/2012 Angel  
 D654,656 S 2/2012 Mangel  
 D658,347 S 5/2012 Maia  
 8,263,168 B2 9/2012 Bellody, Jr. et al.  
 D697,689 S 1/2014 Krumholz et al.  
 D702,551 S 4/2014 Wisniewski et al.  
 D703,050 S 4/2014 Lopez et al.  
 D703,051 S 4/2014 Riley et al.  
 D703,057 S 4/2014 Moore et al.  
 D703,068 S 4/2014 Kick  
 8,703,228 B2 4/2014 Boghani et al.  
 D715,019 S 10/2014 Rosenberg  
 D719,718 S 12/2014 Schweitzer  
 9,187,895 B2 11/2015 Rodriguez Carassus  
 D752,843 S 4/2016 Krumholz et al.  
 D767,241 S 9/2016 Sanctis et al.  
 D767,242 S \* 9/2016 Sanctis ..... D1/101  
 D767,243 S 9/2016 Sanctis et al.  
 9,486,002 B2 11/2016 Boghani et al.  
 D786,586 S 5/2017 Rosan  
 D791,885 S 7/2017 Rosan  
 D796,775 S \* 9/2017 Amoako-Poku ..... D1/127  
 D800,846 S 10/2017 Rosan  
 D822,333 S \* 7/2018 Amoako-Poku ..... D1/127  
 D834,780 S \* 12/2018 Kamper ..... D1/128

2004/0142074 A1 7/2004 Hentzel et al.  
 2005/0074518 A1 4/2005 Soldani  
 2005/0220934 A1 10/2005 Leadbeater et al.  
 2006/0039872 A1 2/2006 Schmidt  
 2006/0057276 A1 3/2006 Carcasona et al.  
 2006/0263481 A1 11/2006 Fritz et al.  
 2007/0231427 A1 5/2007 Ream  
 2008/0160138 A1 7/2008 Boghani et al.  
 2008/0166449 A1 7/2008 Kabse et al.  
 2008/0187621 A1 8/2008 Boghani et al.  
 2008/0199564 A1 8/2008 Boghani et al.  
 2009/0123502 A1 5/2009 Kumiega et al.  
 2009/0202673 A1 8/2009 Phillips et al.  
 2009/0311368 A1 12/2009 Wittorff  
 2010/0136165 A1 6/2010 Miladinov et al.  
 2010/0136185 A1 6/2010 Miladinov et al.  
 2010/0196548 A1 8/2010 Mederer  
 2010/0252788 A1 10/2010 Wickwire  
 2011/0159142 A1 6/2011 Marin et al.  
 2011/0159143 A1 6/2011 Elejalde et al.  
 2011/0262588 A1 10/2011 Elejalde et al.  
 2011/0268837 A1 11/2011 Jani  
 2012/0207875 A1 8/2012 Aldridge et al.  
 2013/0209644 A1 8/2013 Miladinov et al.  
 2013/0295271 A1 11/2013 Ueda et al.  
 2014/0004224 A1 1/2014 Jani et al.  
 2014/0271985 A1 9/2014 Amoako-Poku et al.  
 2016/0015053 A1 1/2016 Amoako-Poku et al.

FOREIGN PATENT DOCUMENTS

CN 102083323 A 6/2011  
 CN 102387709 A 3/2012  
 EP 1765304 A1 1/2006  
 EP 2124631 B1 8/2012  
 EP 2206438 B1 8/2012  
 JP 0947226 A 2/1997  
 JP 2010501201 A 1/2010  
 JP 2011519563 A 7/2011  
 JP 2012117074 A 6/2012  
 JP 2013042665 A 3/2013  
 RU 2313224 C2 12/2007  
 WO 2003055325 A1 7/2003  
 WO 2006037322 A1 4/2006  
 WO 2006116995 A1 11/2006  
 WO 2007076025 A2 7/2007  
 WO 2007076170 A2 7/2007  
 WO 2008027952 A1 3/2008  
 WO 2008067207 A1 6/2008  
 WO 2008116700 A1 10/2008  
 WO 2009154887 A1 12/2009  
 WO 2011117638 9/2011  
 WO 2011153229 A1 12/2011  
 WO 2012090860 A1 7/2012  
 WO 2012106582 A2 8/2012  
 WO 2014057637 A1 4/2014  
 WO 2014152952 A1 9/2014

OTHER PUBLICATIONS

Communication pursuant to Article 94(3) EPC; European Application No. 14720387.1-1357; dated Jan. 2, 2017; 6 Pages.  
 Communication pursuant to Rules 161(1) and 162 EPC; European Application No. 14720387.1-1357; dated Oct. 29, 2015; 2 Pages.  
 Communication pursuant to Rules 161(1) and 162 EPC; European Application No. 14720387.7-1357; dated Mar. 8, 2017; 9 Pages.  
 Decision of Rejection; Chinese Application No. 201480009924.6; dated Jan. 23, 2018; 8 Pages.  
 Final Office Action; U.S. Appl. No. 14/210,502, filed Mar. 14, 2014; Chewing Gum Snacks; and Methods of Making Thereof; Notification Date: Dec. 22, 2016; 13 Pages.  
 First Office Action; Chinese Application No. 201630064416.X; dated Jun. 22, 2016; 2 Pages.  
 Harris, Nicole; "Triple Chocolate Mocha Brownies". Wonky Wonderful: Family Recipes with Flair!, Published on May 18, 2015, Accessed on the Web Dec. 11, 2017. <<https://cupoftea3.wordpress.com/2013/11/15/chocolate-fudge-cookie-bars-with-biscoff-drizzle-and-pretzel-crust/>>.

(56)

**References Cited**

## OTHER PUBLICATIONS

Inglett G.E.; "Production and Use of High Fructose Corn Syrup"; Symposium—Sweeteners; 1974; pp. 93.

International Preliminary Report on Patentability; International Application No. PCT/US2014/028376; International Filing Date: Mar. 14, 2014; dated Sep. 24, 2015; 6 Pages.

International Search Report of the International Searching Authority; International Application No. PCT/US2014/028376; International Filing Date: Mar. 14, 2014; dated Jul. 25, 2014; 6 pages.

Kirk-Othmer Encyclopedia of Chemical Technology. 4th Ed.; John Wiley and Sons; 1991; vol. 1: p. 492-494.

Non-Final Office Action; U.S. Appl. No. 14/210,502, filed Mar. 14, 2014; Chewing Gum Snacks; and Methods of Making Thereof; Notification Date: Aug. 25, 2016; 31 pages.

Non-Final Office Action; U.S. Appl. No. 14/771,323, filed Aug. 28, 2015; Chewing Gum Snacks; and Methods of Making Thereof; Notification Date: Apr. 12, 2018; 31 Pages.

Notice of Allowance; Japanese Application No. 2016-005208; dated Sep. 29, 2016; 2 Pages.

Notice of Allowance; Japanese Application No. 2016-005209; dated Jan. 10, 2017; 2 Pages.

Notice of Allowance; Japanese Application No. 2016-005210; dated Jan. 11, 2017; 2 Pages.

Notice of Allowance; U.S. Appl. No. 29/557,231, filed Mar. 7, 2016; Confection; Notification Date: Mar. 16, 2017; 20 pages.

Notice of Allowance; U.S. Appl. No. 29/557,231, filed Mar. 7, 2016; Confection; Notification Date: Jun. 28, 2017; 11 Pages.

Notice of Allowance; U.S. Appl. No. 29/607,889, filed Jun. 16, 2017; Confection; Notification Date: Dec. 27, 2017; 24 Pages.

Notice of Reasons for Refusal; Japanese Application No. 2015-552693; dated May 26, 2016; 21 Pages.

Notice of Reasons for Rejection and Instructions; Japanese Application No. 2016-005209; dated Sep. 30, 2016; 8 Pages.

Notice of Reasons for Rejection and Instructions; Japanese Application No. 2016-005210; dated Sep. 30, 2016; 8 Pages.

Notice of Reasons for Rejection; Japanese Application No. 2015-552693; dated Dec. 22, 2016; 15 Pages.

Notification of Correction; Chinese Application No. 201710412283.4; dated Aug. 2, 2017; 2 Pages.

Notification of First Office Action and Search Report; Chinese Application No. 201480009924.6; dated Nov. 21, 2016; 22 Pages.

Notification of Granting Patent Right for Design and Notification of Going Through the Formalities of Registration; Chinese Application No. 201630064416.X; Issue Date: Sep. 19, 2016; 5 Pages.

Office Action and Search Report; Russian Application No. 2015133024; dated Jan. 18, 2017; 9 Pages.

Requirement for Restriction/Election; U.S. Appl. No. 29/538,880, filed Sep. 9, 2015; Confection; Notification Date: Aug. 4, 2016; 7 pages.

Requirement for Restriction/Election; U.S. Appl. No. 29/557,231, filed Mar. 7, 2016; Confection; Notification Date: Oct. 28, 2016; 8 Pages.

Requirement for Restriction/Election; U.S. Appl. No. 29/607,889, filed Jun. 16, 2017; Confection; Notification Date: Sep. 26, 2017; 7 Pages.

Restriction Requirement; U.S. Appl. No. 14/771,323, filed Aug. 28, 2015; Chewing Gum Snacks; and Methods of Making Thereof; Notification Date: Dec. 5, 2017; 8 Pages.

Sarah; "How Strong is Spaghetti? Stem Challenge for Kids!"; Frugal Fun for Boys and Girls; Date Posted: Oct. 25, 2016; URL Accessed: <https://frugalfun4boys.com/strong-spaghetti-stem-challenge-kids/>; Date Accessed: Oct. 12, 2018; 11 Pages.

Stone & Sidel, Sensory Evaluation Practices, Preface, 3rd ed., San Diego, CA., Elsevier Academic Press (2004), 2 pages.

Written Opinion of the International Searching Authority; International Application No. PCT/US2014/028376; International Filing Date: Mar. 14, 2014; dated Jul. 25, 2014; 8 pages.

\* cited by examiner

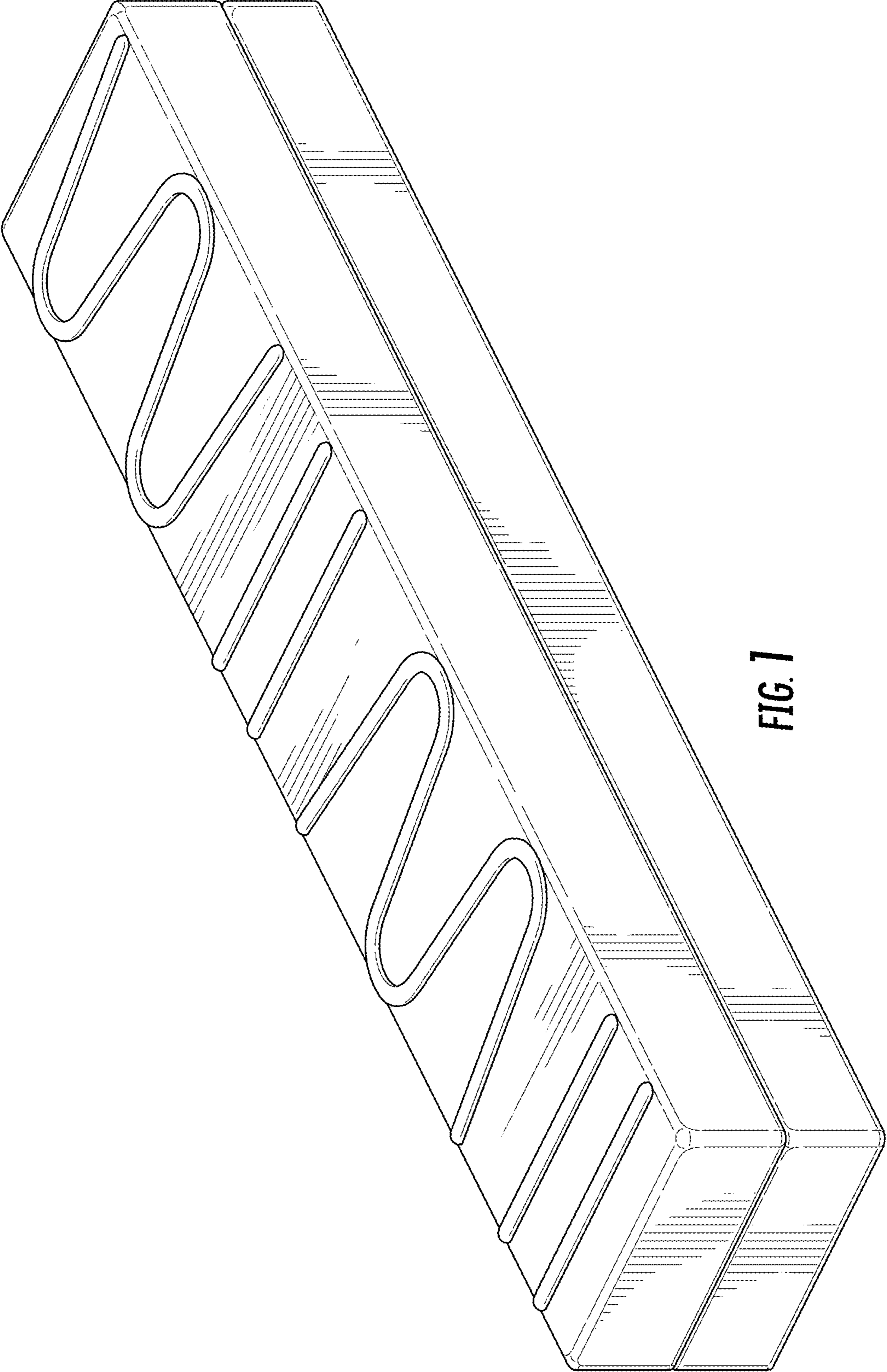


FIG. 1

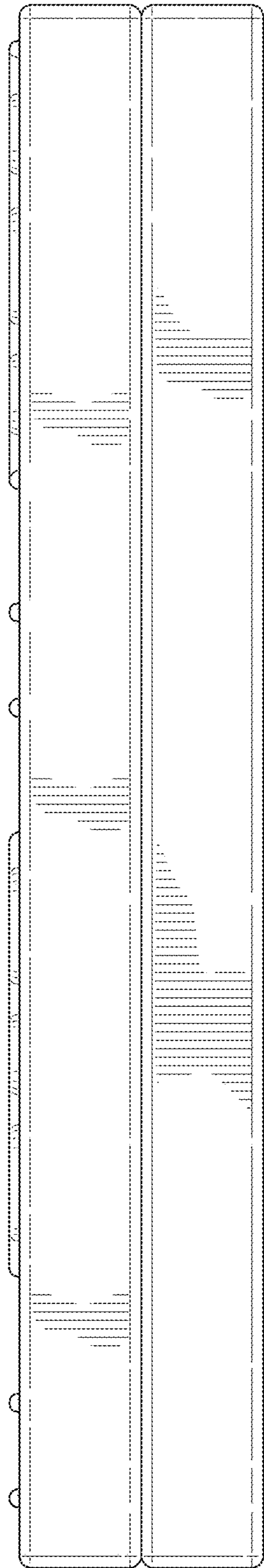


FIG. 2

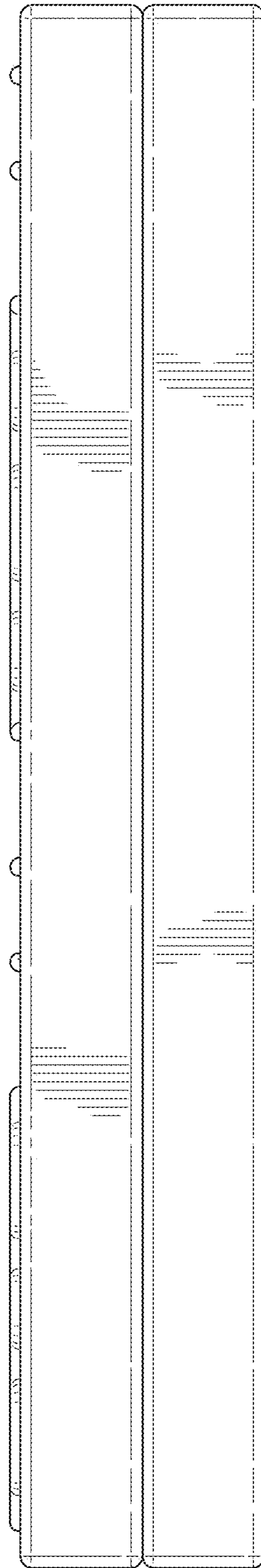
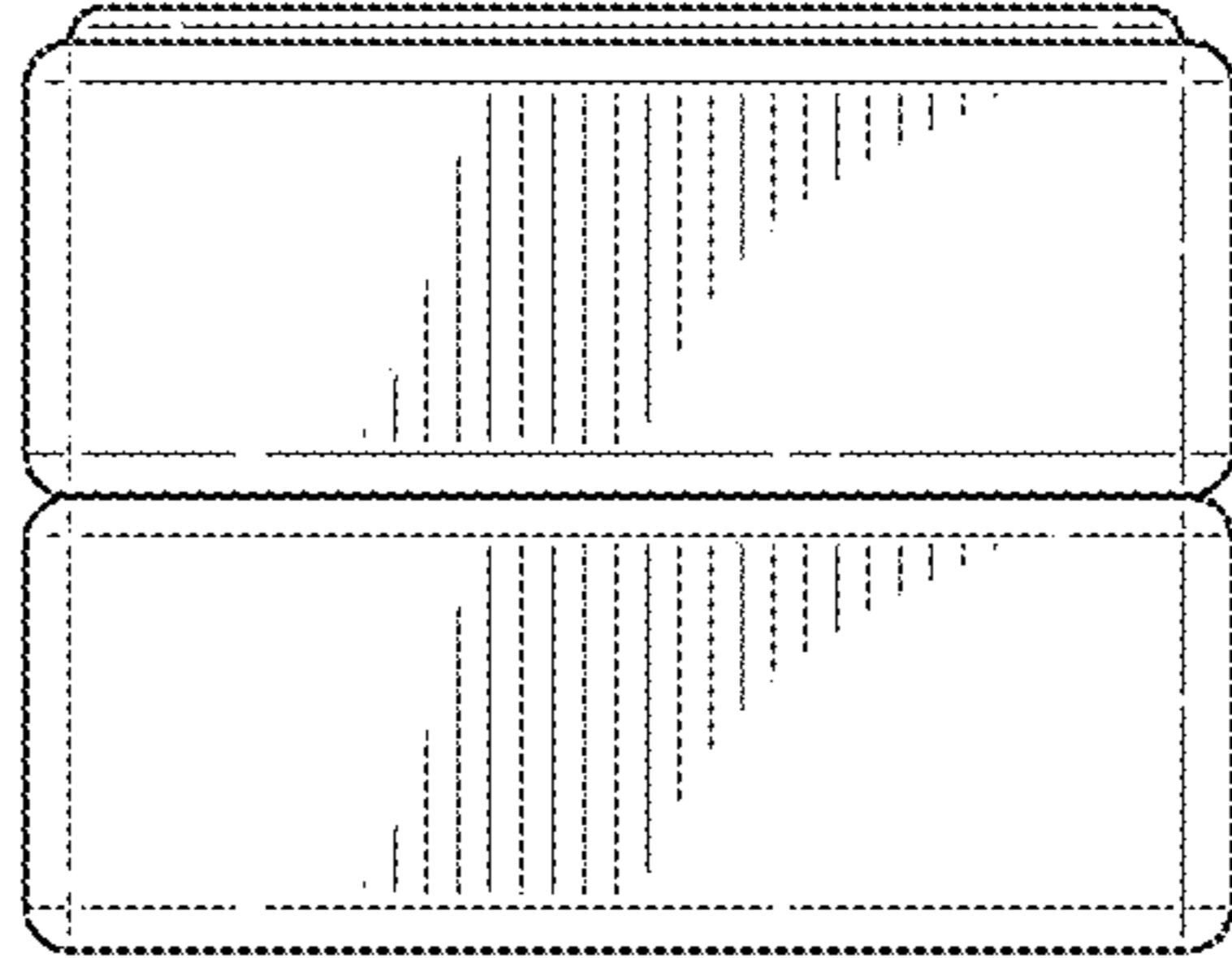
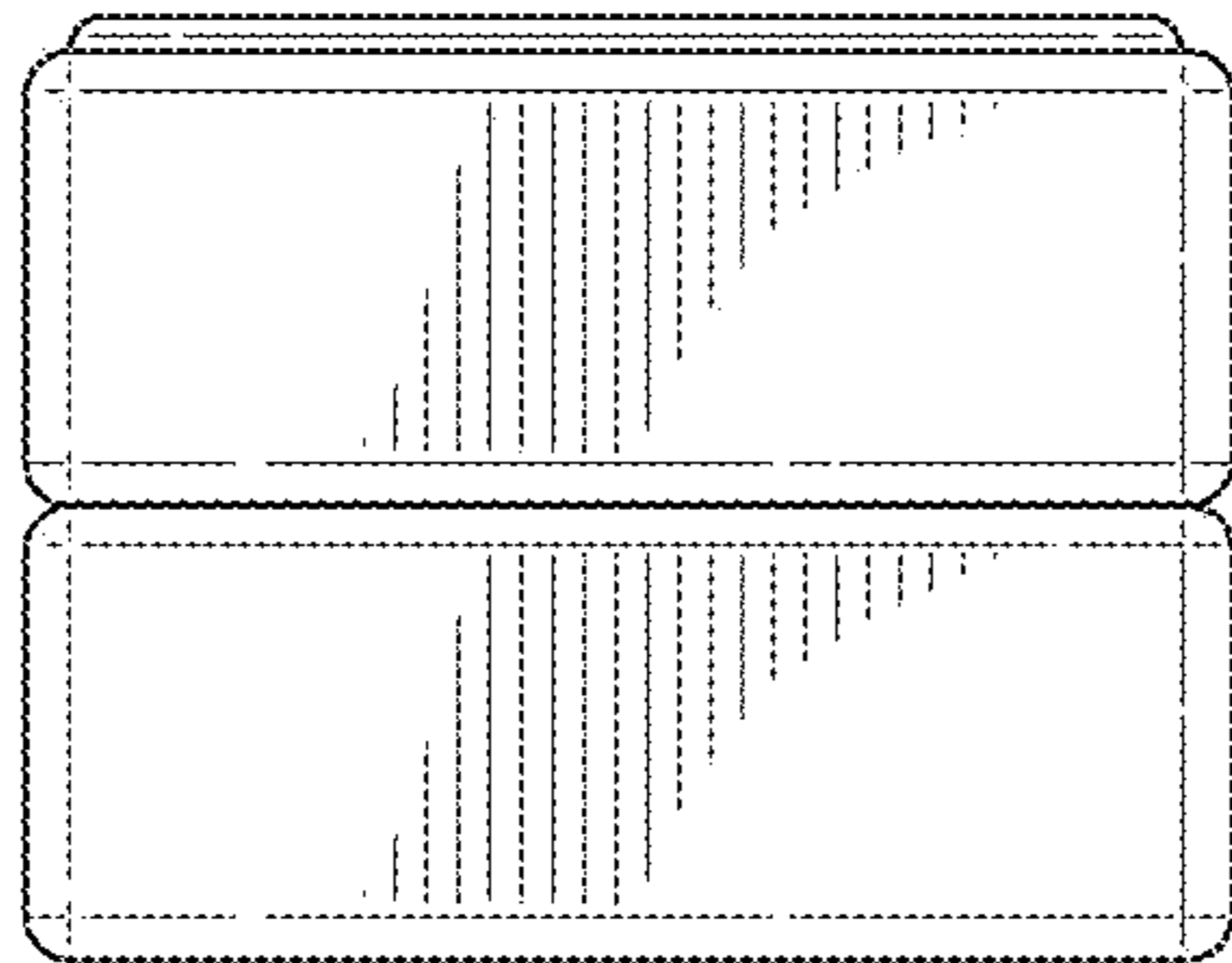


FIG. 3



**FIG. 4**



**FIG. 5**

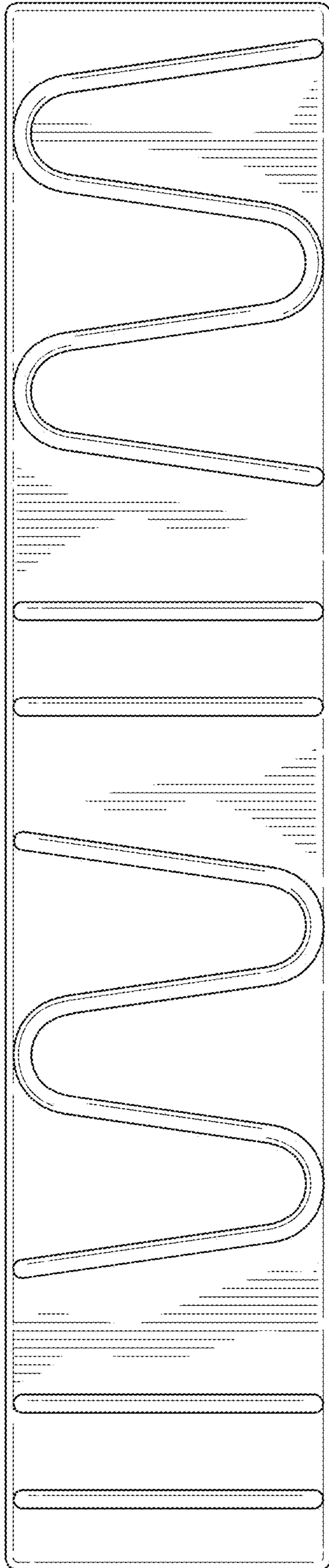


FIG. 6

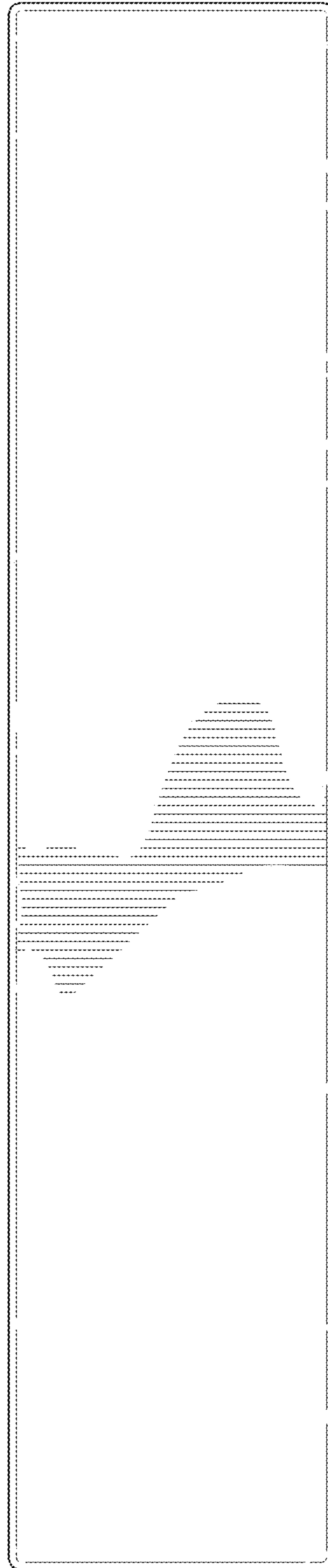


FIG. 7