



US00D874085S

(12) **United States Design Patent** (10) **Patent No.:** **US D874,085 S**  
**Guidry** (45) **Date of Patent:** **\*\* Jan. 28, 2020**

(54) **CROSS WITH ANGLED FISH SWIVEL ENDS**

(71) Applicant: **Jeffrey M. Guidry**, Nederland, TX  
(US)

(72) Inventor: **Jeffrey M. Guidry**, Nederland, TX  
(US)

(\*\*) Term: **15 Years**

(21) Appl. No.: **29/633,413**

(22) Filed: **Jan. 13, 2018**

(51) **LOC (12) Cl.** ..... **11-01**

(52) **U.S. Cl.**  
USPC ..... **D99/25**

(58) **Field of Classification Search**  
USPC ..... D99/25-27, 16, 99; D22/144-146;  
D11/96; D19/65

CPC ..... G09F 13/00; A44C 25/00  
See application file for complete search history.

(56) **References Cited**

**U.S. PATENT DOCUMENTS**

- D34,560 S \* 5/1901 De Long ..... D19/65
- 1,391,945 A \* 9/1921 Flagge ..... A47G 33/02  
362/121
- D60,685 S \* 3/1922 Johnson ..... D99/23
- 2,427,655 A \* 9/1947 Blankenship ..... G09F 13/00  
362/35
- 2,528,913 A \* 11/1950 Allan ..... A47G 33/02  
206/19
- D167,275 S \* 7/1952 Rickspoone ..... D99/27
- D167,276 S \* 7/1952 Rickspoone ..... D99/27
- D224,914 S \* 10/1972 David ..... D99/27
- D225,537 S \* 12/1972 Bowers ..... D99/27
- D226,969 S \* 5/1973 Quigley ..... D99/27
- D383,785 S \* 9/1997 Shyu ..... D19/65
- D396,929 S \* 8/1998 Vinson ..... D11/96
- D416,513 S \* 11/1999 Tavone ..... D11/96
- D513,550 S \* 1/2006 King ..... D99/26
- D527,677 S \* 9/2006 Cavness ..... D11/157
- D603,531 S \* 11/2009 Gallagher ..... D25/101

- D623,229 S \* 9/2010 Ray ..... D19/65
- D623,230 S \* 9/2010 Ray ..... D19/65
- D637,107 S \* 5/2011 Baker ..... D11/96
- D647,138 S \* 10/2011 Ray ..... D19/65
- D652,764 S \* 1/2012 Cadigan ..... D11/157
- D664,887 S \* 8/2012 Courtney ..... D11/96
- D678,118 S \* 3/2013 Cadigan ..... D11/96
- D772,753 S \* 11/2016 Bresser ..... D11/96

(Continued)

**FOREIGN PATENT DOCUMENTS**

- CN 304344395 \* 11/2017
- EM 002673319-0012 \* 6/2015

**OTHER PUBLICATIONS**

Amazon.com : Jshanmei Barrel Swivel with Safty Snap, reviews 2018, <https://www.amazon.com/...55048045931741&hvpon=&hvptwo=&hvqmt=&hvdev=c&hvdvcm dl=&hvlocint=&hvlocphy=9008192&hvtargid=pla-567750774620&psc=1#customerReviews>, site visited Aug. 13, 2019.\*

(Continued)

*Primary Examiner* — Lilyana Bekic

*Assistant Examiner* — John R Yeh

(74) *Attorney, Agent, or Firm* — Clark Hill Strasburger

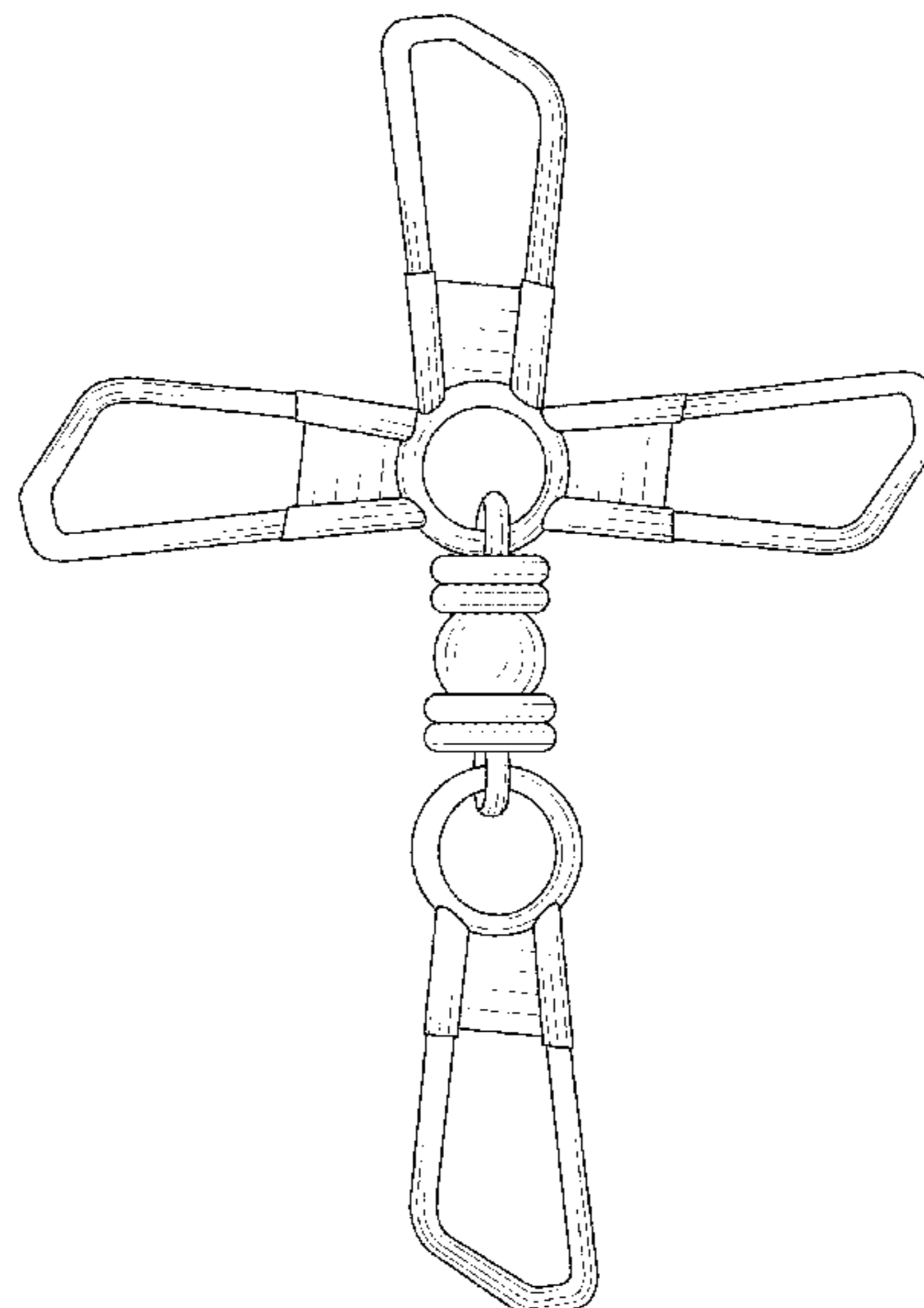
(57) **CLAIM**

I claim the ornamental design of a cross with angled fish swivel ends, as shown and described.

**DESCRIPTION**

FIG. 1 is a front view of a cross with angled fish swivel ends; FIG. 2 is a top view of the cross with angled fish swivel ends; FIG. 3 is a side view of the cross with angled fish swivel ends; and, FIG. 4 is a perspective view from the front of the cross with angled fish swivel ends.

**1 Claim, 4 Drawing Sheets**



(56)

**References Cited**

U.S. PATENT DOCUMENTS

D786,128 S \* 5/2017 Leung ..... D11/103  
D808,286 S \* 1/2018 O'Neill ..... D10/69  
D809,323 S \* 2/2018 Kroll ..... D6/674  
D810,388 S \* 2/2018 Podgurny ..... D99/27  
D830,744 S \* 10/2018 Kroll ..... D6/674  
2019/0159437 A1 \* 5/2019 Baker, Jr. .... A01K 85/10

OTHER PUBLICATIONS

T-shape cross-line rolling fishing swivel | Wish website reviews  
2018, [https://www.wish.com/...03554661&gclid=Cj0KCQjwv8nqBRDGARIsAHfR9wBIRzUFfB90tCGknM3mTAhUu9HH0LcpPUZah2EID\\_XS3ER7Q9MuSWkaAmCaEALw\\_wcB&hide\\_login\\_modal=true](https://www.wish.com/...03554661&gclid=Cj0KCQjwv8nqBRDGARIsAHfR9wBIRzUFfB90tCGknM3mTAhUu9HH0LcpPUZah2EID_XS3ER7Q9MuSWkaAmCaEALw_wcB&hide_login_modal=true), site visited Aug. 13, 2019.\*

Shogun 3 Way Crane Swivels, <https://www.hookedonline.com.au/10-pack-of-shogun-3-way-crane-swivels-black-crossl>, site visited Nov. 23, 2019.\*

\* cited by examiner

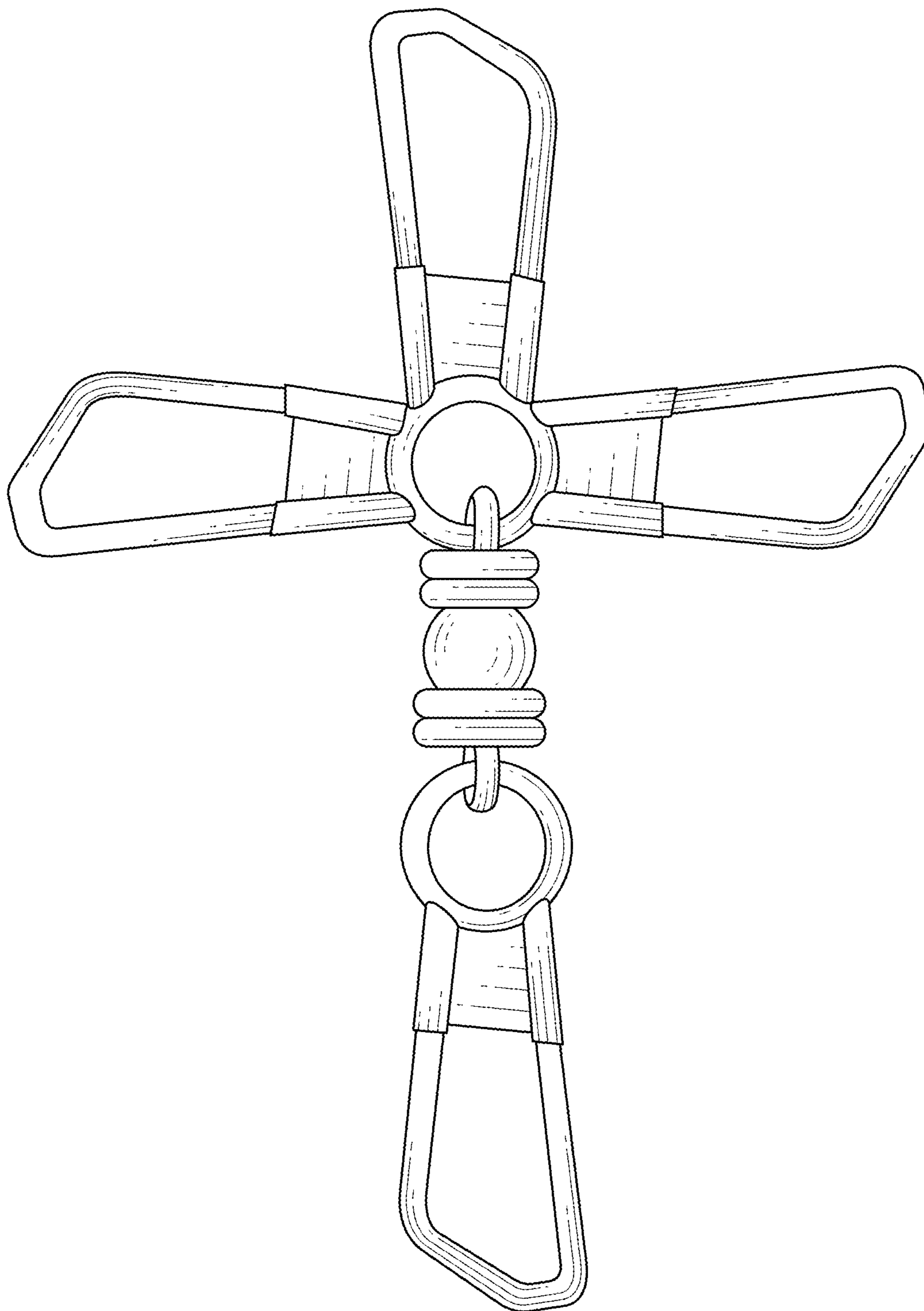


FIG. 1

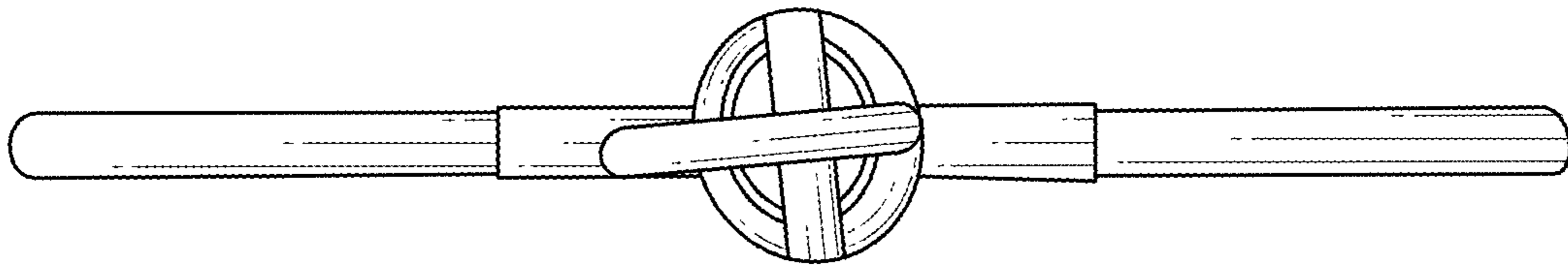


FIG. 2

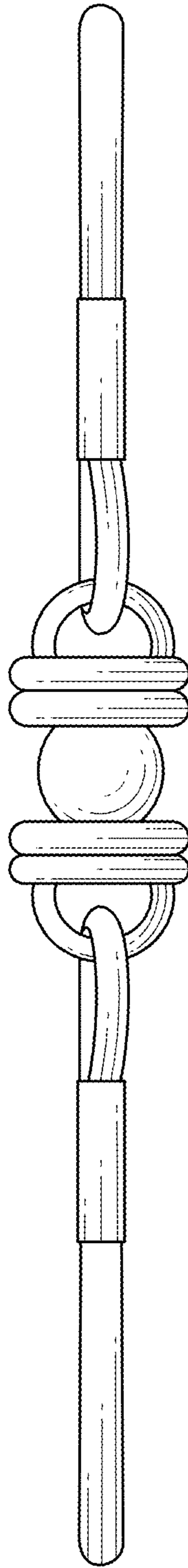


FIG. 3

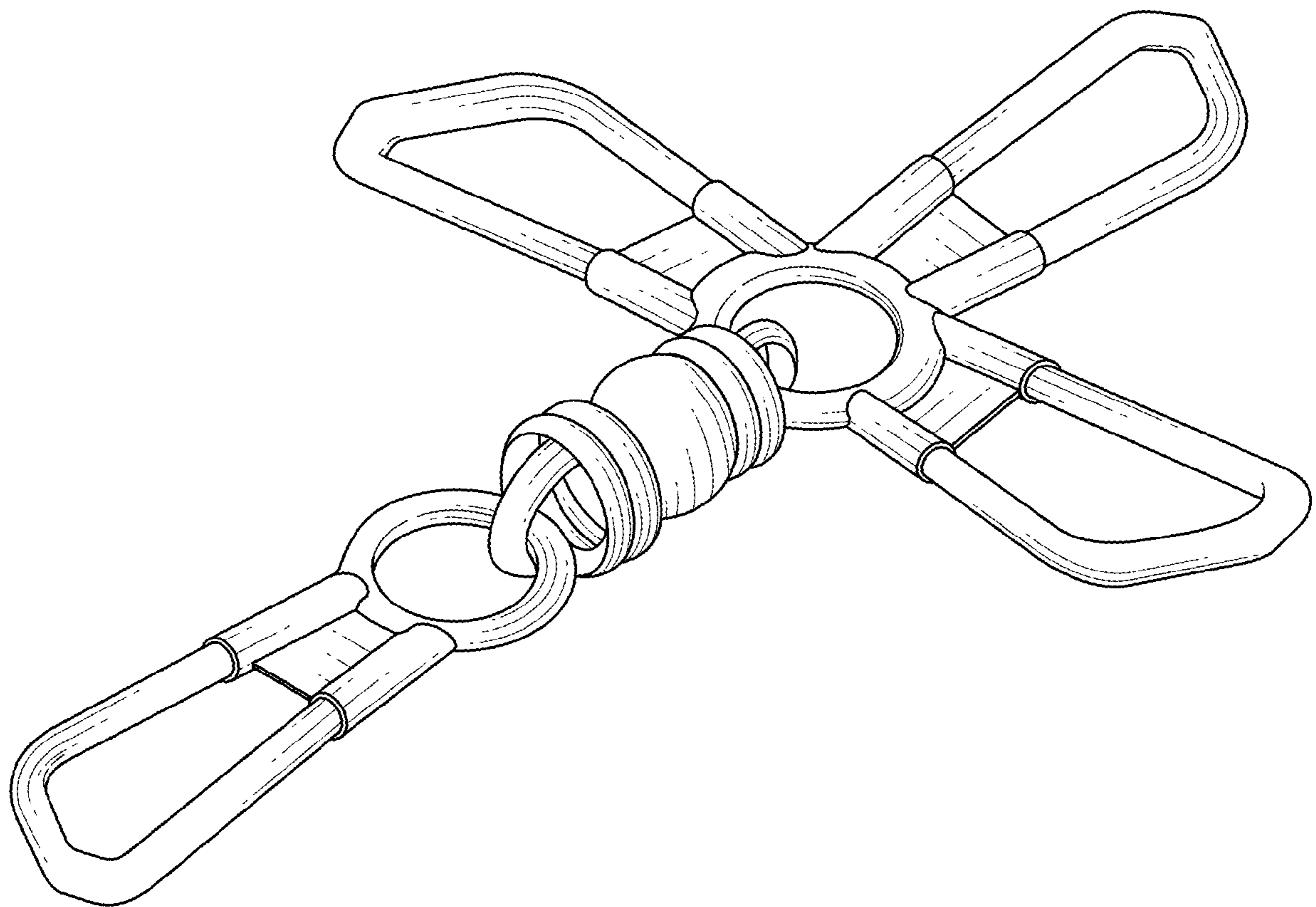


FIG. 4