

US00D874083S

(12) **United States Design Patent**  
**Chao et al.**

(10) **Patent No.:** **US D874,083 S**  
(45) **Date of Patent:** **\*\* Jan. 28, 2020**

(54) **PALLET TRUCK**  
(71) Applicant: **Big Lift, LLC**, Lombard, IL (US)  
(72) Inventors: **Huang Chao**, Hangzhou (CN); **Ma Qichen**, Hangzhou (CN); **Wu Lili**, Hangzhou (CN); **Weng Lijian**, Hangzhou (CN); **Xu Linjie**, Hangzhou (CN)

4,096,961 A 6/1978 Rocco  
4,103,795 A 8/1978 Miller  
4,287,959 A 9/1981 Inman  
4,577,463 A 3/1986 Kedem  
4,615,533 A 10/1986 Sewell  
5,113,960 A 5/1992 Prinz

(Continued)

(73) Assignee: **Zhejiang E-P Equipment Co., Ltd.** (CN)

(\*\*) Term: **15 Years**

(21) Appl. No.: **29/644,483**

(22) Filed: **Apr. 18, 2018**

(51) **LOC (12) Cl.** ..... **12-05**

(52) **U.S. Cl.**  
USPC ..... **D34/34**

(58) **Field of Classification Search**  
USPC ..... D34/28, 34  
CPC ... B62B 3/0612; B62B 3/0618; B62B 5/0069;  
B62B 5/0438; B62B 2203/20; B66F 9/22;  
B66F 9/085; B66F 9/186  
See application file for complete search history.

(56) **References Cited**

**U.S. PATENT DOCUMENTS**

D136,279 S 8/1943 Holland et al.  
2,592,091 A 4/1952 Weaver  
3,043,388 A 7/1962 Hansen  
3,249,170 A 5/1966 Quayle  
3,295,881 A 1/1967 Worthington  
3,601,423 A 8/1971 Goodacre  
D222,670 S 11/1971 Goodacre et al.  
3,854,748 A 12/1974 Goodacre  
D239,165 S 3/1976 Mono  
4,047,698 A 9/1977 Ellis  
4,065,012 A 12/1977 Rocco

**OTHER PUBLICATIONS**

Brochure for "PDS Power Drive Straddle Trucks" issued by Blue Giant®, Sep. 1, 2010 (2 pages).

(Continued)

*Primary Examiner* — Cynthia Ramirez

(74) *Attorney, Agent, or Firm* — Cook Alex Ltd.

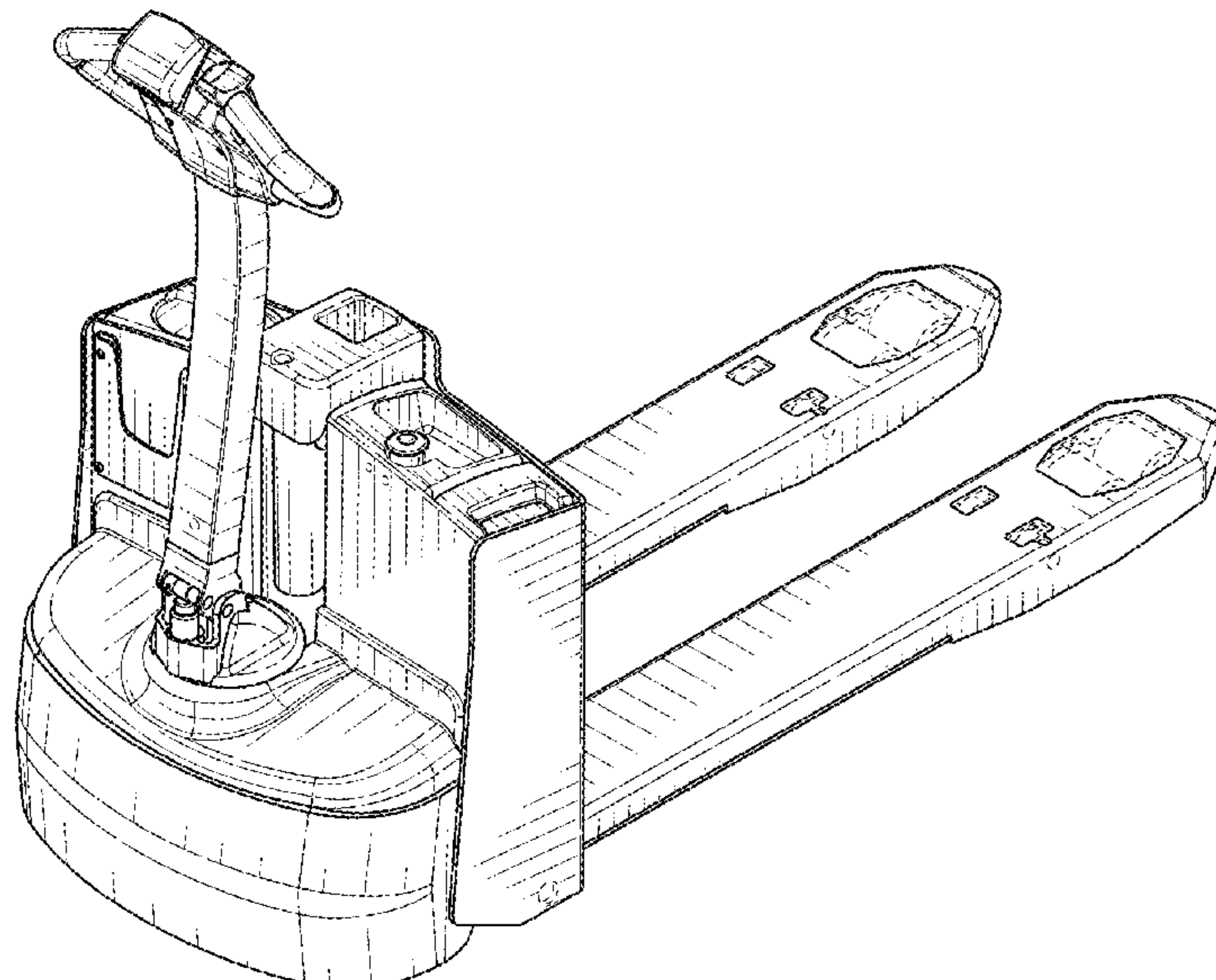
(57) **CLAIM**

We claim the ornamental design for a pallet truck, as shown and described.

**DESCRIPTION**

FIG. 1 is a right rear perspective view of a pallet truck according to our new design;  
FIG. 2 is a left rear perspective view of the embodiment in FIG. 1;  
FIG. 3 is a right side elevational view of the embodiment in FIG. 1;  
FIG. 4 is a left side elevational view of the embodiment in FIG. 1;  
FIG. 5 is a front elevational view of the embodiment in FIG. 1;  
FIG. 6 is a rear elevational view of the embodiment in FIG. 1;  
FIG. 7 is a top plan view of the embodiment in FIG. 1; and,  
FIG. 8 is a bottom plan view of the embodiment in FIG. 1.  
The broken lines shown in the figures are included for the purpose of illustrating portions of the pallet truck and form no part of the claimed design.

**1 Claim, 6 Drawing Sheets**



(56)

References Cited

U.S. PATENT DOCUMENTS

D343,935 S 2/1994 Drobeck et al.  
 5,618,154 A 4/1997 Irons, Jr. et al.  
 5,752,584 A 5/1998 Magoto et al.  
 D408,958 S 4/1999 Schneider  
 D419,741 S 1/2000 Johansson  
 6,125,971 A 10/2000 Niebuhr et al.  
 6,260,646 B1 7/2001 Fernandez et al.  
 D447,612 S 9/2001 Niebuhr  
 D464,785 S 10/2002 Gallagher  
 7,040,427 B2 5/2006 Toomey  
 D530,878 S 10/2006 Ruppert et al.  
 D542,004 S 5/2007 Righi  
 D559,498 S 1/2008 Ruppert et al.  
 D562,525 S 2/2008 Graf et al.  
 D565,270 S 3/2008 Ruppert et al.  
 D583,124 S 12/2008 Stark  
 D601,324 S 9/2009 Knie et al.  
 D608,075 S 1/2010 Berger et al.  
 D608,522 S 1/2010 Berger et al.  
 D608,523 S 1/2010 Knie et al.  
 7,641,011 B2 1/2010 Fridlington, Jr. et al.  
 D609,424 S 2/2010 Knie et al.  
 7,744,335 B1 6/2010 Cleary  
 D640,031 S 6/2011 Kretschmer  
 D655,064 S 2/2012 Knie  
 8,230,976 B2 7/2012 Baldini  
 8,246,008 B2 8/2012 De Jong et al.  
 D674,982 S 1/2013 Babel et al.  
 8,360,443 B2 1/2013 Ellington  
 8,540,213 B2 9/2013 Feiquan et al.  
 D692,202 S 10/2013 Feiquan et al.  
 D692,203 S 10/2013 Feiquan et al.  
 D692,204 S 10/2013 Feiquan et al.  
 8,752,657 B2 6/2014 Newell  
 8,833,736 B2 9/2014 Feiquan et al.  
 D730,614 S 5/2015 Wu et al.  
 D739,112 S 9/2015 He et al.  
 D754,415 S 4/2016 Liu et al.

D765,939 S 9/2016 Liu et al.  
 D767,236 S 9/2016 Meng et al.  
 9,475,513 B2 10/2016 Liu et al.  
 D770,719 S 11/2016 He et al.  
 D798,524 S \* 9/2017 Meng ..... D34/34  
 D799,780 S \* 10/2017 Meng ..... D34/34  
 D801,616 S \* 10/2017 Qichen ..... D34/28  
 D802,243 S 11/2017 Qichen et al.  
 D805,712 S 12/2017 Qichen et al.  
 D819,293 S \* 5/2018 Qichen ..... D34/34  
 D819,923 S \* 6/2018 Qichen ..... D34/34  
 D824,633 S \* 7/2018 Qichen ..... D34/34  
 D855,924 S \* 8/2019 Qichen ..... D34/34  
 D856,627 S \* 8/2019 Qichen ..... D34/34  
 2005/0036880 A1 2/2005 Magoto et al.  
 2006/0181039 A1 8/2006 Fridlington, Jr. et al.  
 2009/0260923 A1 10/2009 Baldini  
 2010/0096606 A1 \* 4/2010 Lee ..... B62B 3/0618  
 254/10 C

OTHER PUBLICATIONS

Website for Shanghai Noblelift Co. Ltd. Guangzhou Subsidiary  
 “Semi-electric Pallet Truck Spt” <http://gdnoblift.en.busytrade.com/products/info/1904267/Semi-electric-Pallet-Truck-Spt.html>, accessed Jan. 13, 2012, (4 pages).  
 Website for Stars for “Electric Vehicle—Electric Pallet Truck”, <http://www.starstw.com/news/stars-electric-pallet-truck.html>, accessed Jan. 13, 2012 (1 page).  
 Website for Cherry’s Industrial Equipment for “SPT15-Semi Electric Pallet Truck” <http://www.pallettruck.com/spt15.html>, accessed Jan. 17, 2012 (1 page).  
 E-P Equipment Co., Ltd.—Maximin Electric Pallet Truck EPT20-15ET photographs (1 page).  
 Brochure for “Walkie Pallet Trucks 4,000-5,000 lbs.”, Model MPB040-E issued by Yale Materials Handling Corporation, 2006, (14 pages).  
 Three (3) photographs of the “Walkie Pallet Trucks 4,000-5,000 lbs.”, Model MPB040-E by Yale Materials Handling Corporation.

\* cited by examiner



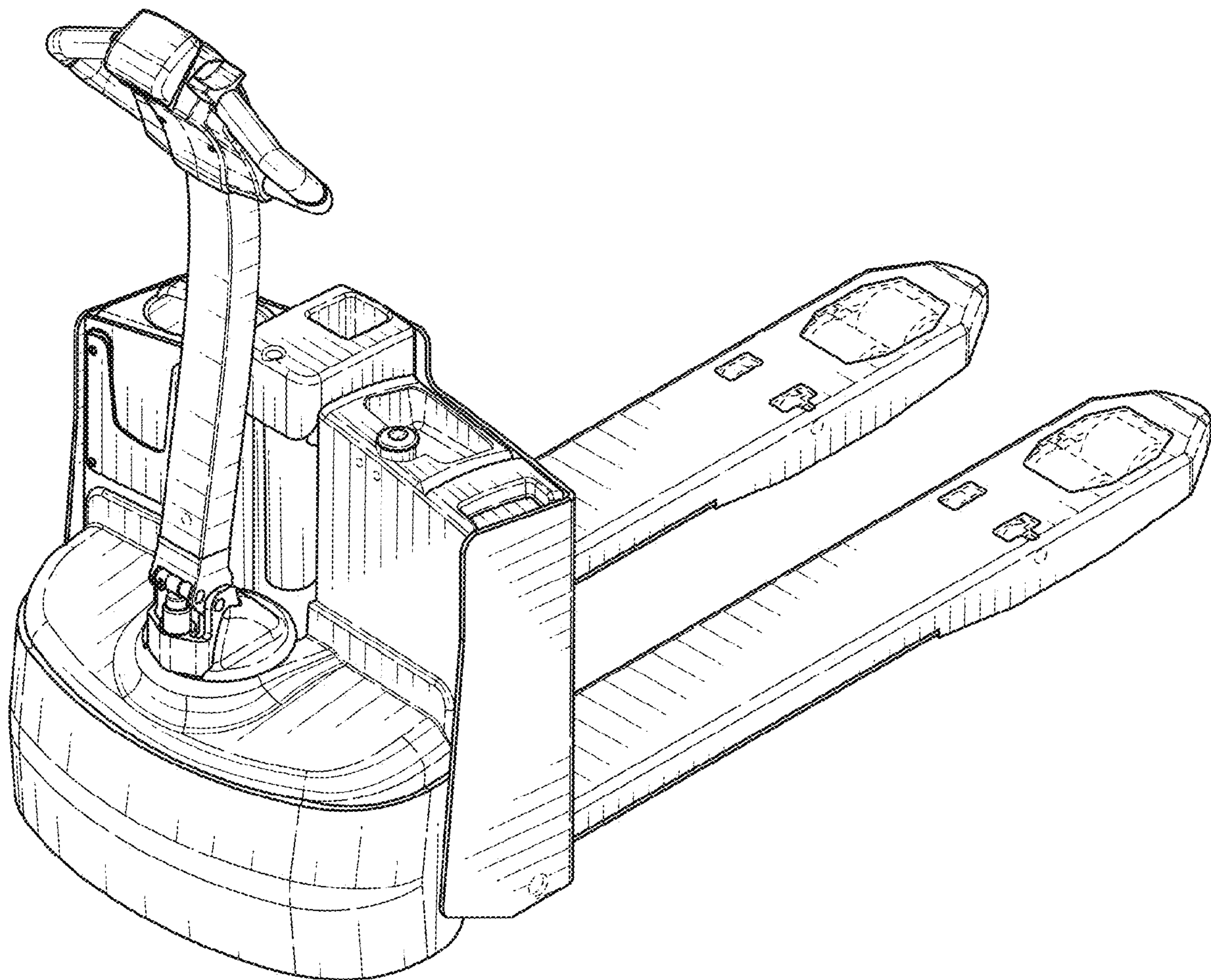


FIG. 1

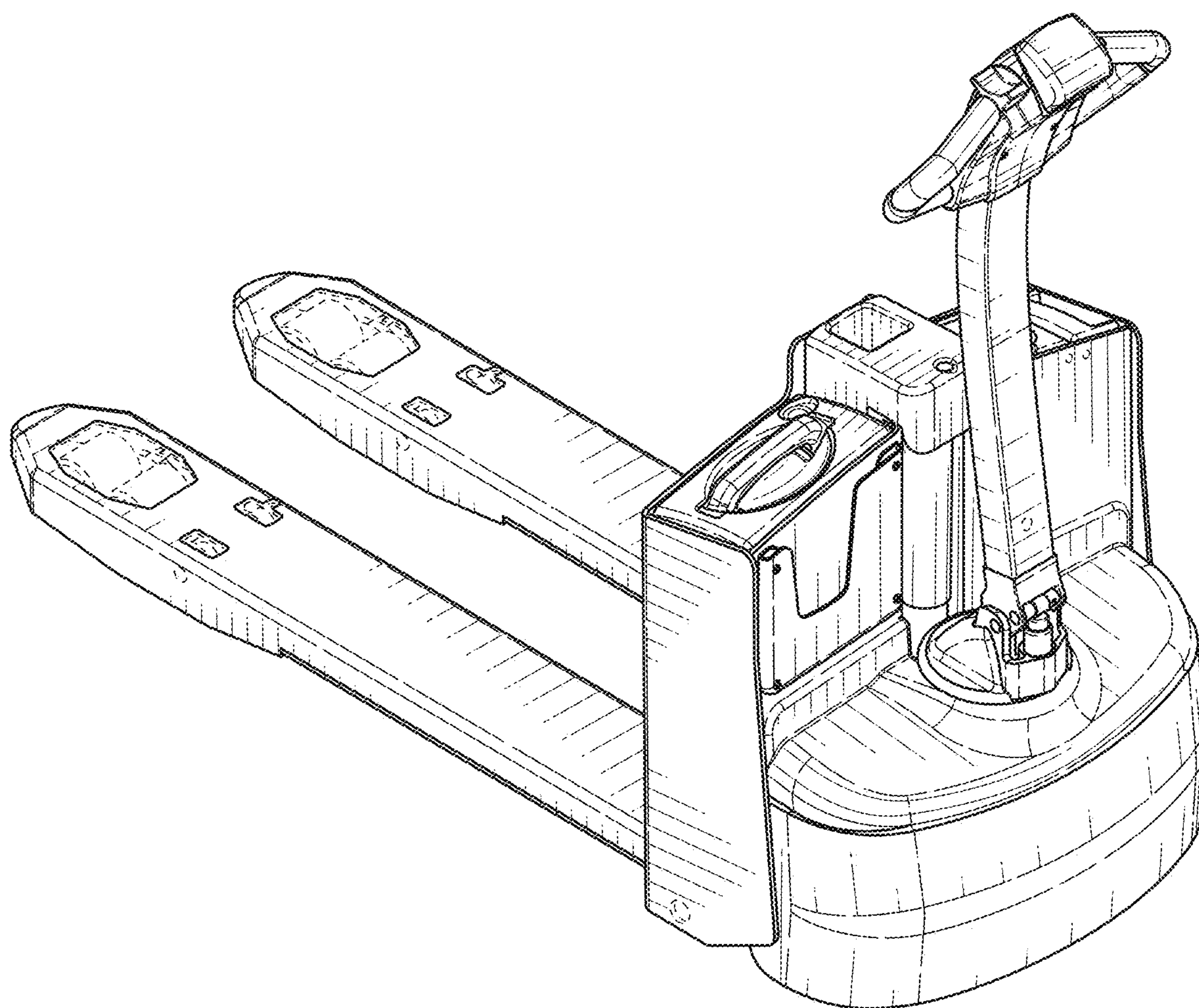


FIG. 2

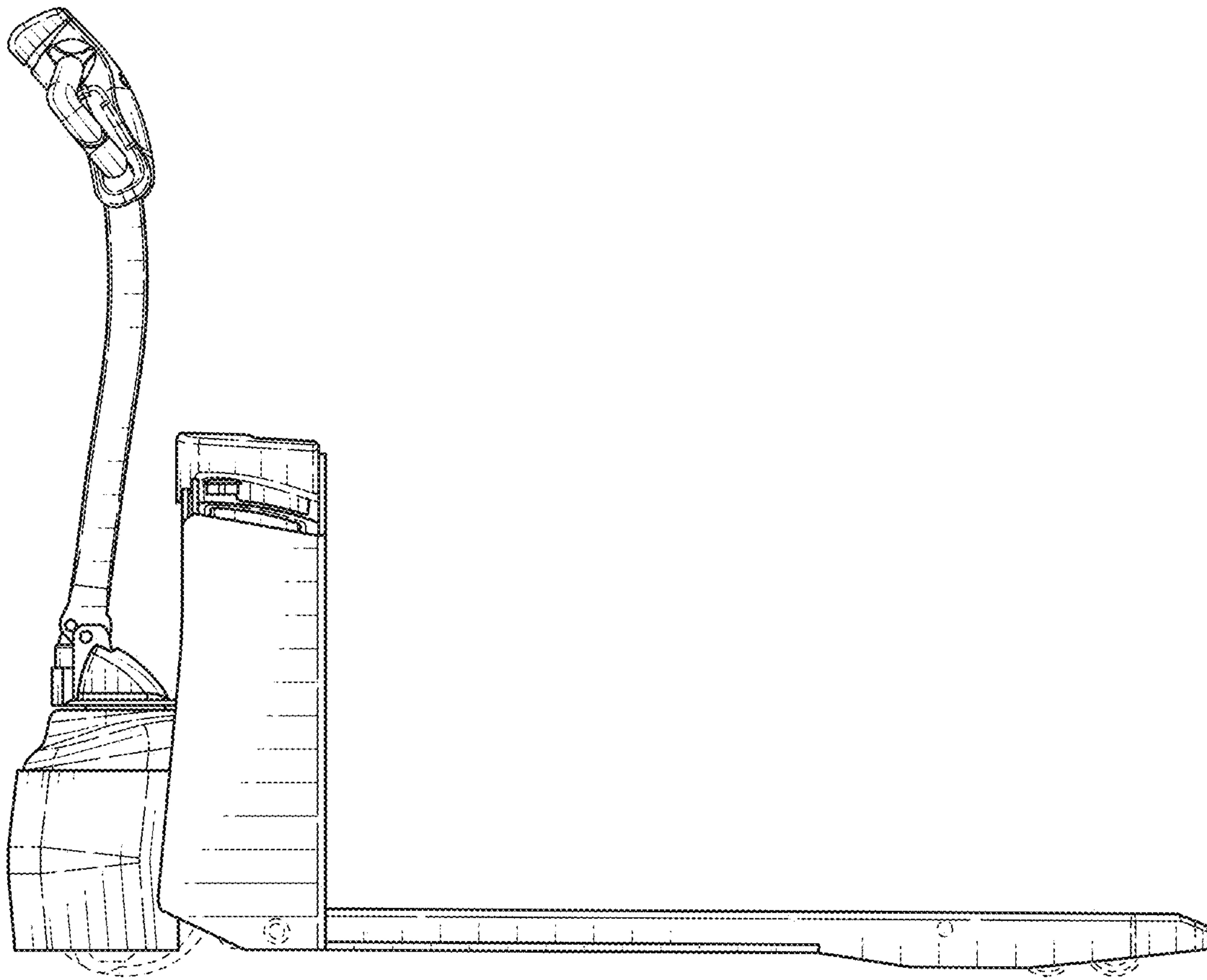


FIG. 3

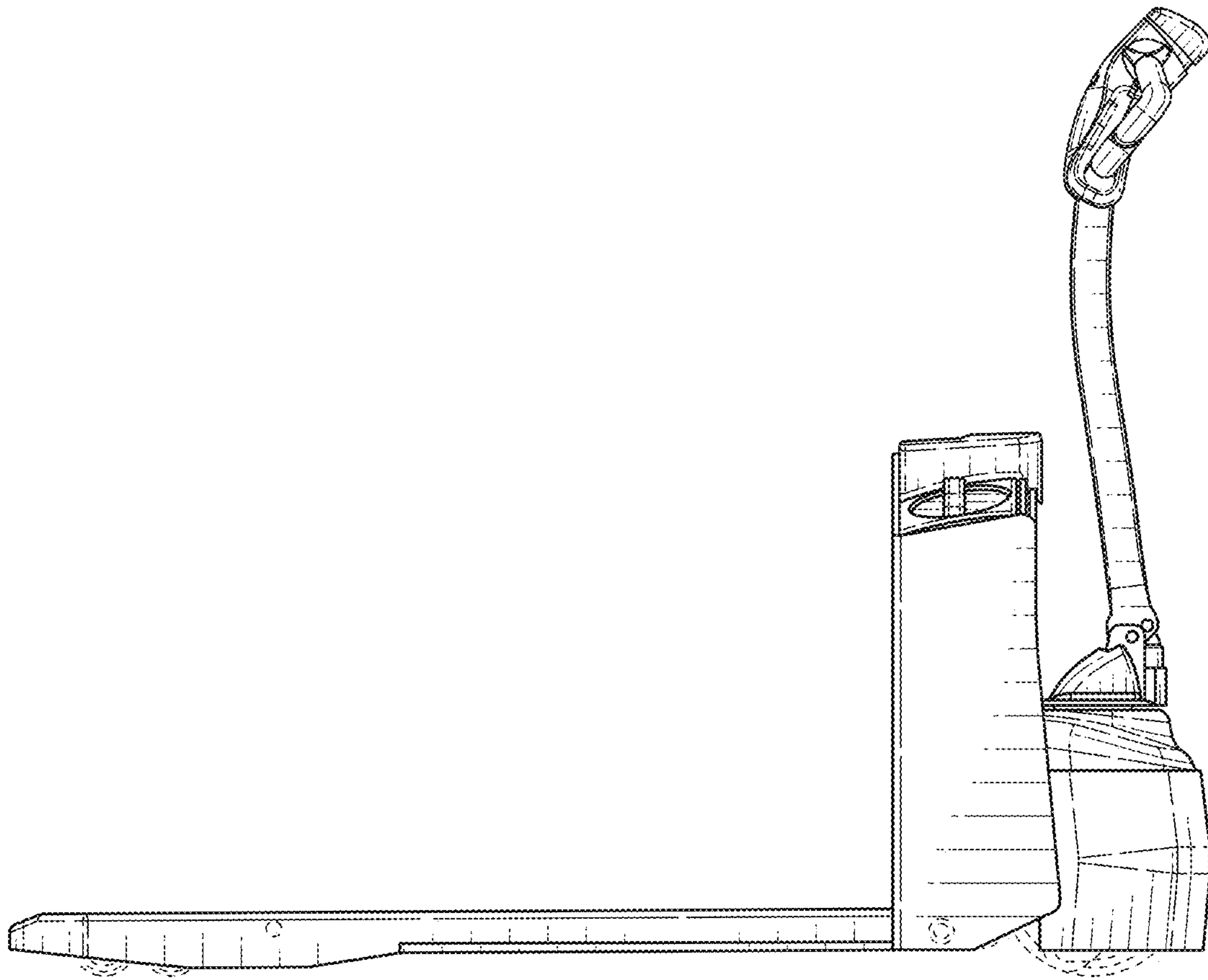


FIG. 4



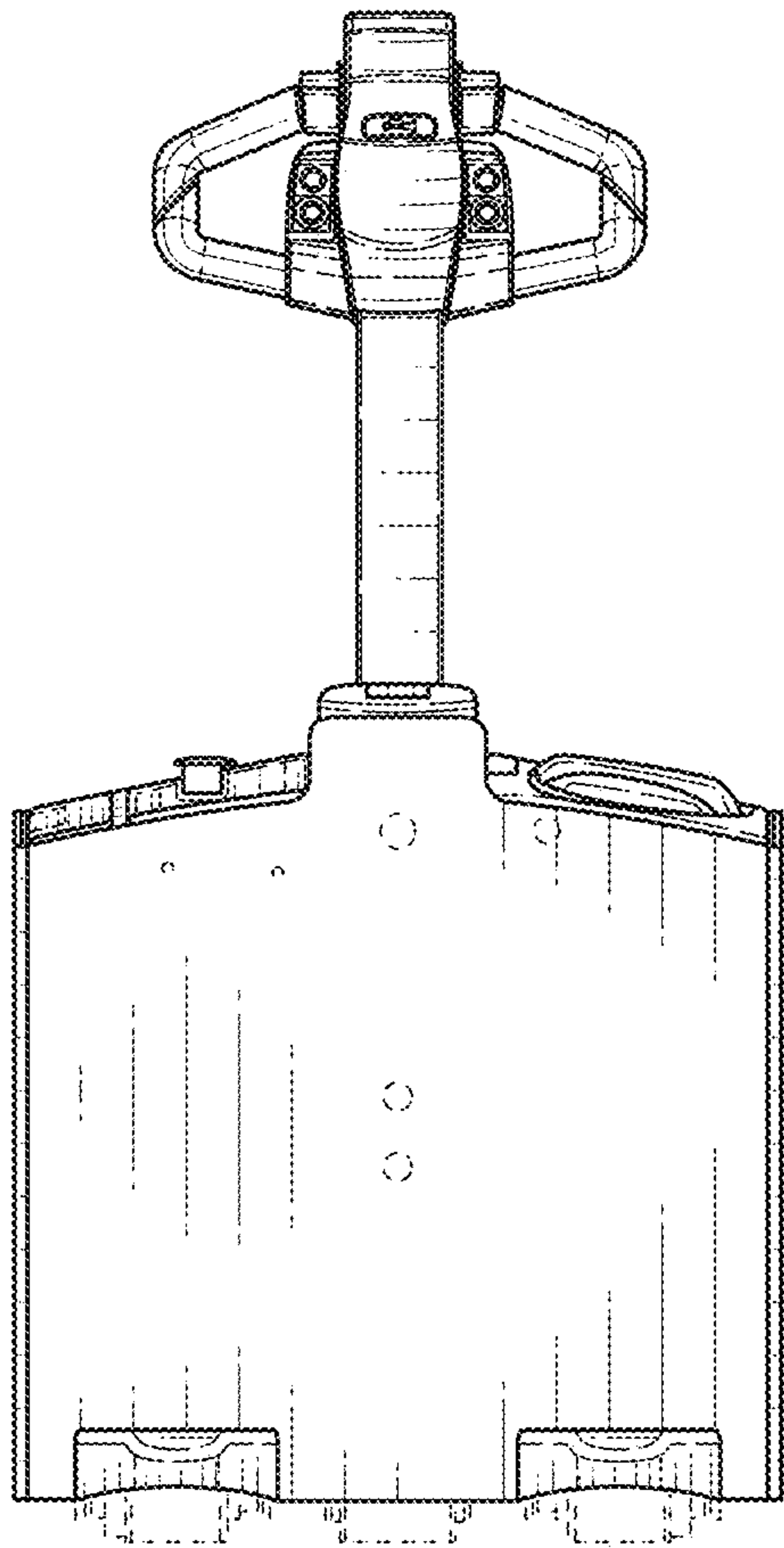


FIG. 5

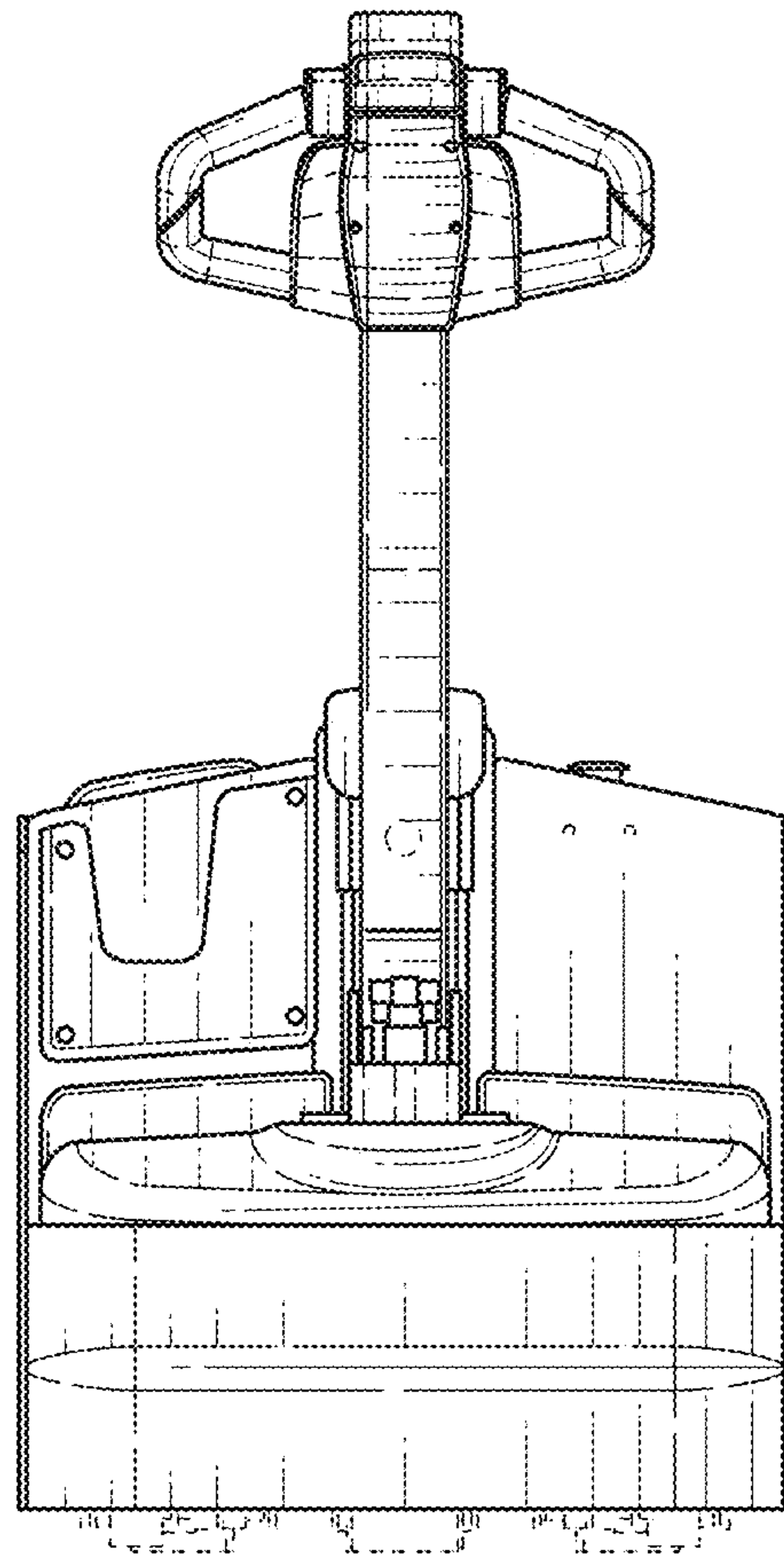


FIG. 6

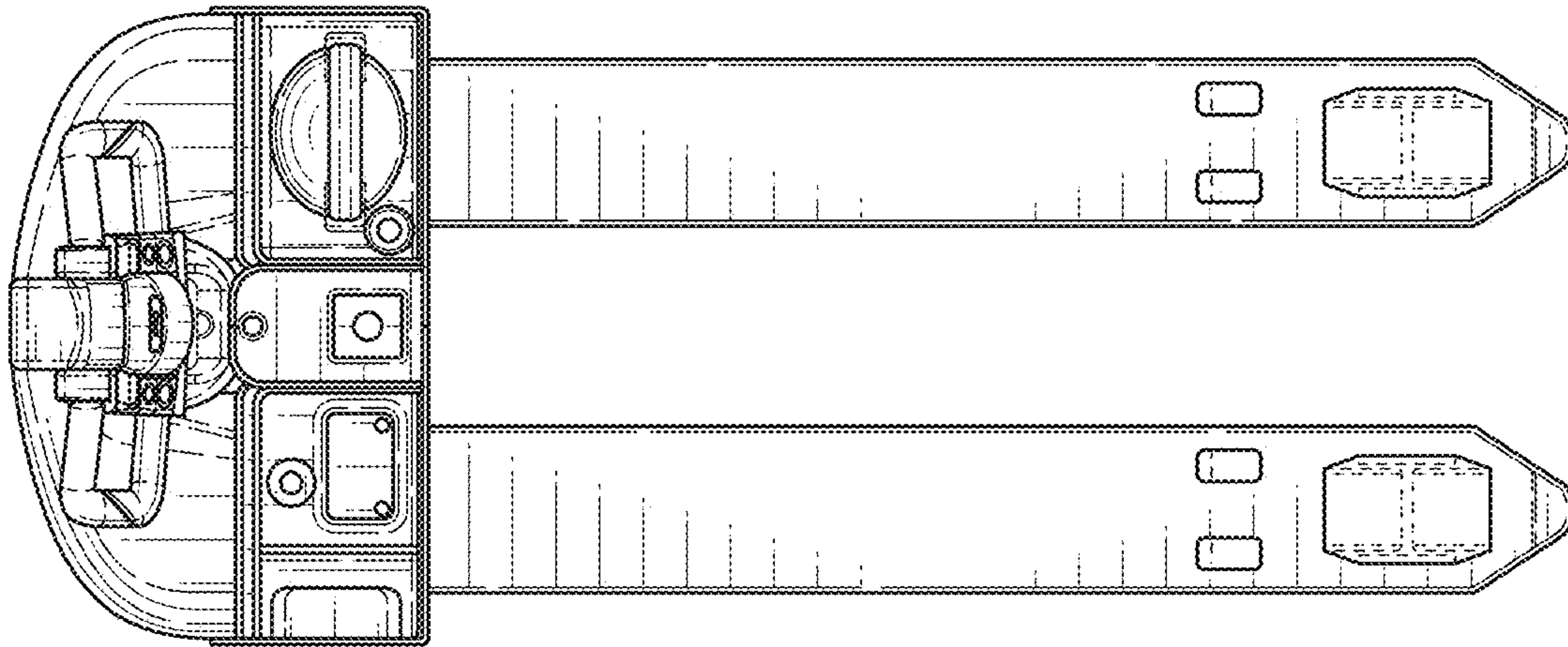


FIG. 7

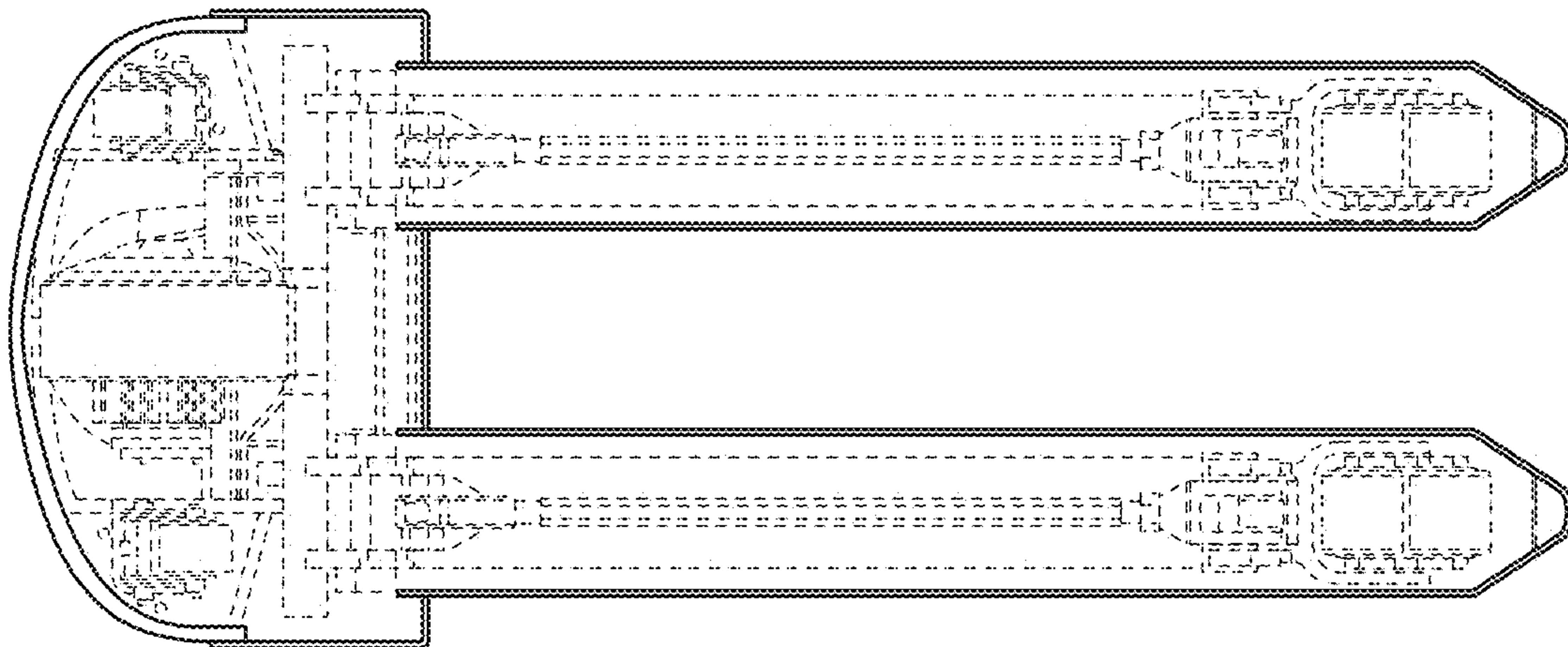


FIG. 8