



US00D874081S

(12) **United States Design Patent** (10) **Patent No.:** **US D874,081 S**
De Jong (45) **Date of Patent:** **** Jan. 28, 2020**

(54) **LIFTING DEVICE FOR VEHICLE**
(71) Applicant: **Stertil B.V., Kootstertille (NL)**
(72) Inventor: **Jurjen Jan De Jong, Buitenpost (NL)**
(73) Assignee: **Stertil B.V., Kootstertille (NL)**
(**) Term: **15 Years**
(21) Appl. No.: **29/660,111**
(22) Filed: **Aug. 17, 2018**

D613,022 S * 3/2010 Laursen D34/23
D636,552 S * 4/2011 Finkbeiner D34/28
D636,553 S * 4/2011 Finkbeiner D34/28
D702,911 S * 4/2014 Roshell D34/28
D704,914 S * 5/2014 Campbell D34/28
D752,838 S * 3/2016 Ziaylek D34/28
10,076,931 B2 * 9/2018 Finkbeiner B66F 7/04
2004/0022611 A1 * 2/2004 Finkbeiner B66F 3/46
414/458
2006/0182563 A1 8/2006 De Jong et al.
2011/0073819 A1 * 3/2011 Chan B66F 3/46
254/2 B
2015/0232310 A1 * 8/2015 Jaipaul B66F 3/46
414/800

(Continued)

(30) **Foreign Application Priority Data**

Jul. 3, 2018 (NL) 2021228
(51) **LOC (12) Cl.** **12-05**
(52) **U.S. Cl.**
USPC **D34/28**
(58) **Field of Classification Search**
USPC D34/28, 31
CPC B66F 9/06; B66F 9/18; B66F 9/20; B66F
5/00; B66F 3/46; B66F 7/28; B60P
3/035; B60P 3/0618; B65H 49/38; B61K
5/00

See application file for complete search history.

(56) **References Cited**

U.S. PATENT DOCUMENTS

D204,009 S * 3/1966 Gray D34/31
D214,930 S * 8/1969 Kincaid et al. D34/31
3,763,965 A * 10/1973 Riekkinen B60P 3/035
187/231
4,940,381 A * 7/1990 Rysewyk B66F 9/06
187/234
D357,106 S * 4/1995 Francis D34/31
D420,482 S * 2/2000 Hultqvist D34/28
7,163,112 B2 * 1/2007 Lehnen B66C 23/68
212/238
7,500,816 B2 3/2009 Berends et al.

FOREIGN PATENT DOCUMENTS

NL 2013152 B1 9/2016
WO 2015163757 A1 10/2015

(Continued)

Primary Examiner — Cynthia Ramirez
(74) *Attorney, Agent, or Firm* — The Webb Law Firm

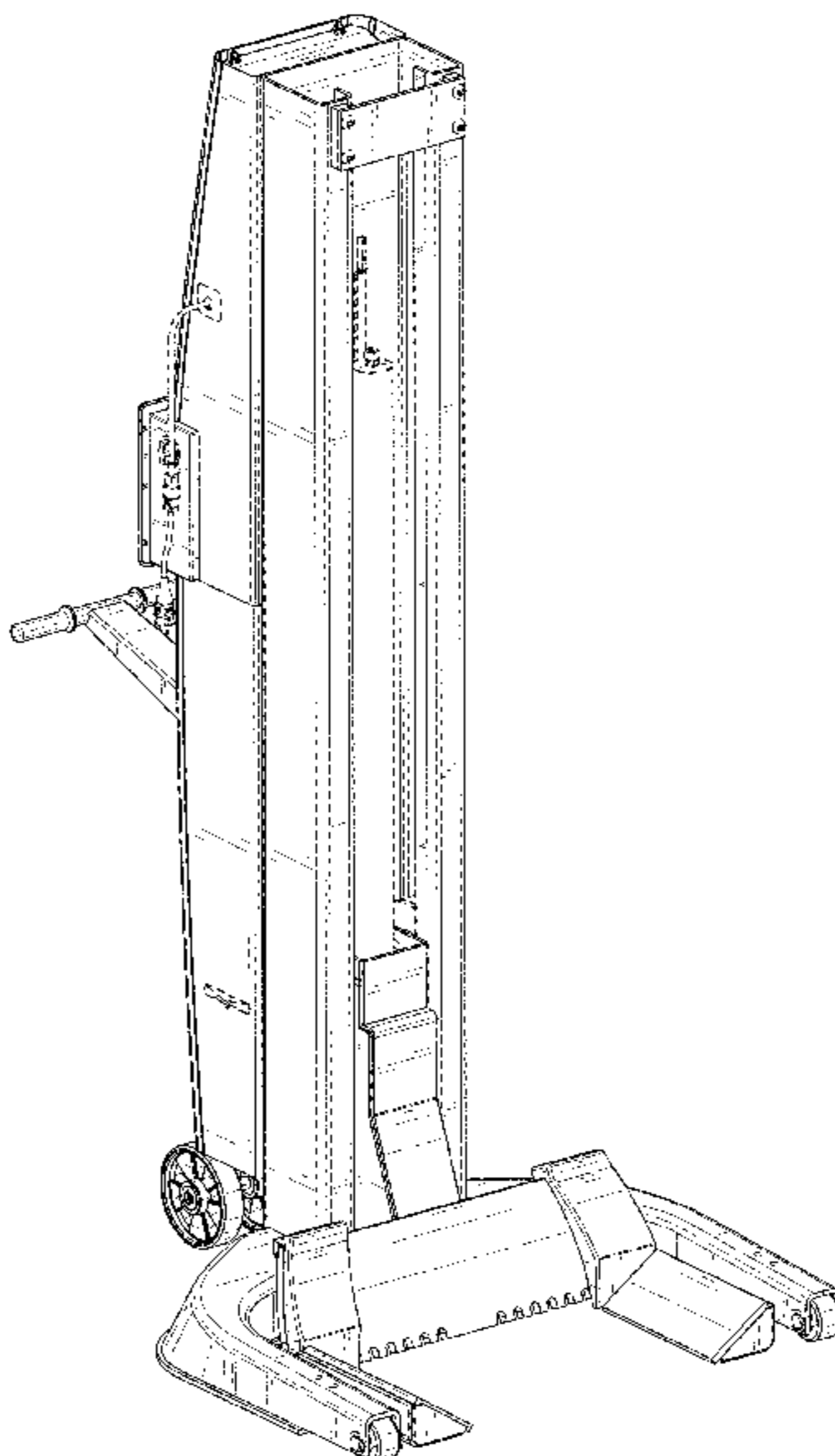
(57) **CLAIM**

The ornamental design for a lifting device for vehicle, as shown and described.

DESCRIPTION

FIG. 1 is an upper front perspective view of a lifting device for vehicle, showing my new design;
FIG. 2 is a lower rear perspective view thereof;
FIG. 3 is a rear elevation view thereof;
FIG. 4 is a front elevation view thereof;
FIG. 5 is a top view thereof;
FIG. 6 is a bottom view thereof;
FIG. 7 is a right side elevation view thereof; and,
FIG. 8 is a left side elevation view thereof.
The portions of the lifting device for vehicle shown in broken lines form no part of the claimed design.

1 Claim, 8 Drawing Sheets



(56)

References Cited

U.S. PATENT DOCUMENTS

2015/0368079 A1* 12/2015 Scholfield B66F 9/125
414/642
2016/0002015 A1* 1/2016 De Jong B66F 7/28
29/426.2
2016/0052757 A1 2/2016 De Jong
2016/0152454 A1 6/2016 Stapensea et al.
2017/0088405 A1 3/2017 De Jong et al.
2017/0101265 A1* 4/2017 Lilley B62B 3/10
2017/0113884 A1* 4/2017 Demers B65G 65/23
2017/0174484 A1 6/2017 Van Houten et al.
2018/0194601 A1 7/2018 Van Houten
2018/0354760 A1* 12/2018 Elliott B66F 3/46

FOREIGN PATENT DOCUMENTS

WO 2017007311 A1 1/2017
WO 2017010879 A1 1/2017

* cited by examiner

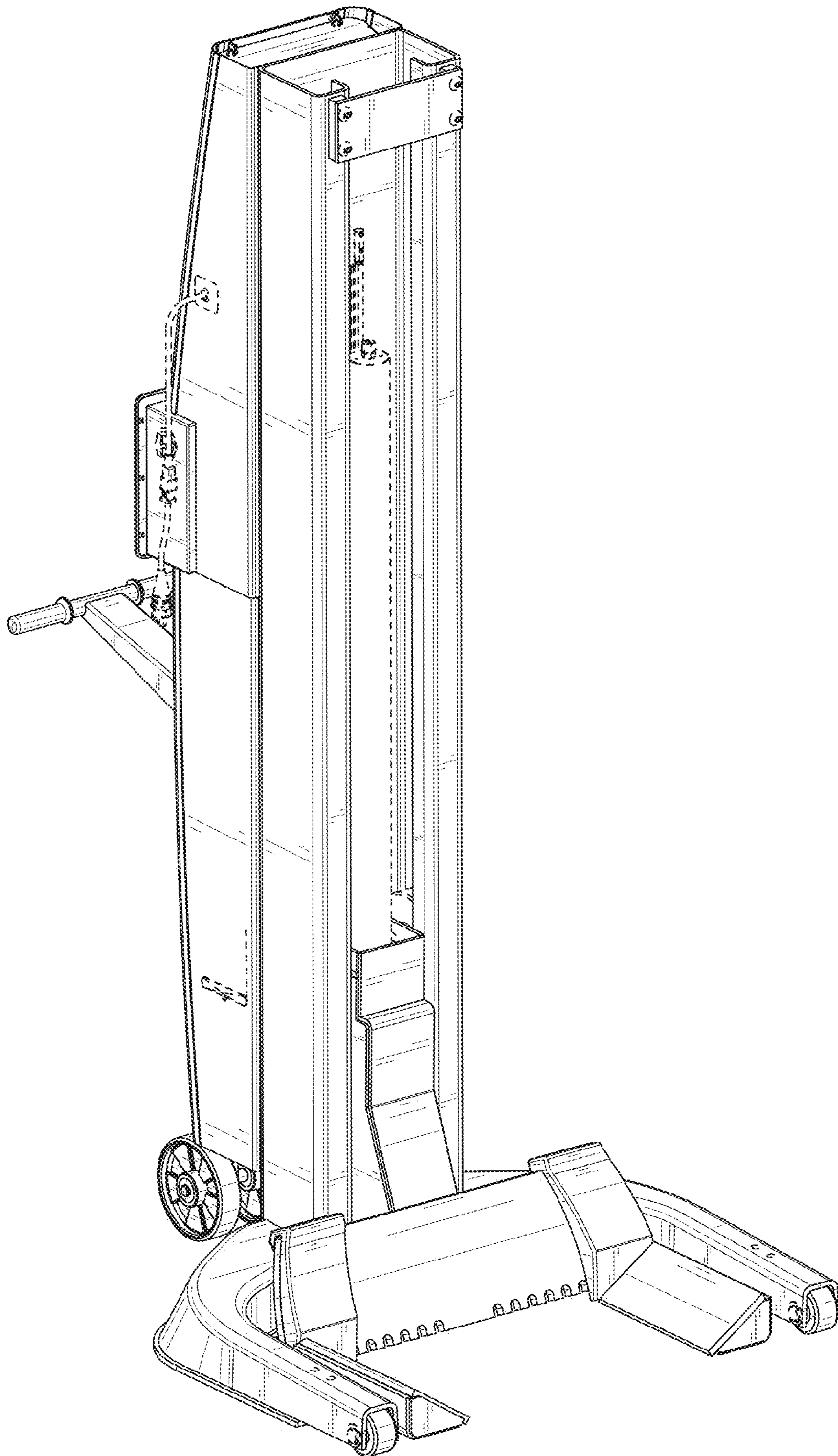


FIG. 1

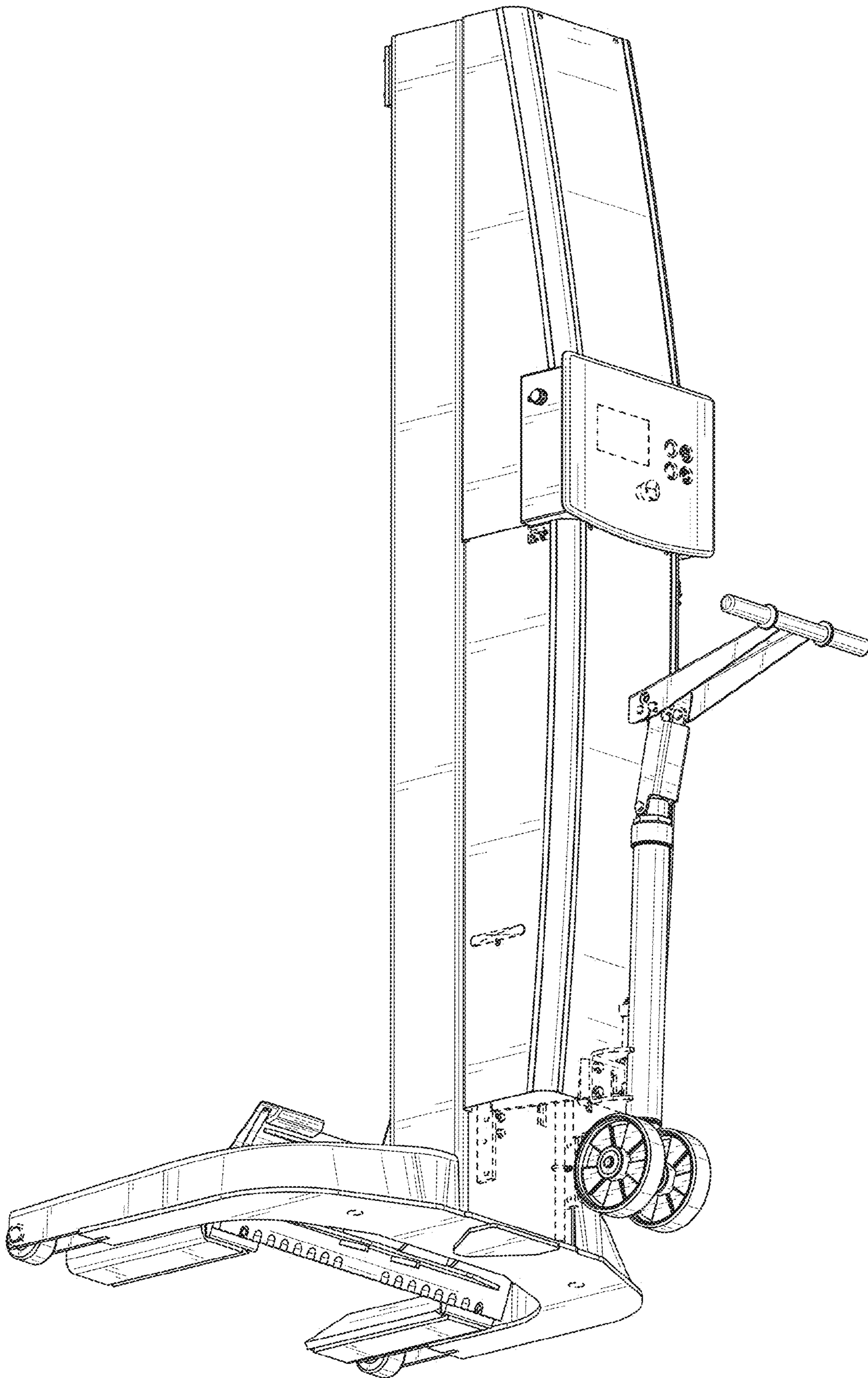


FIG. 2

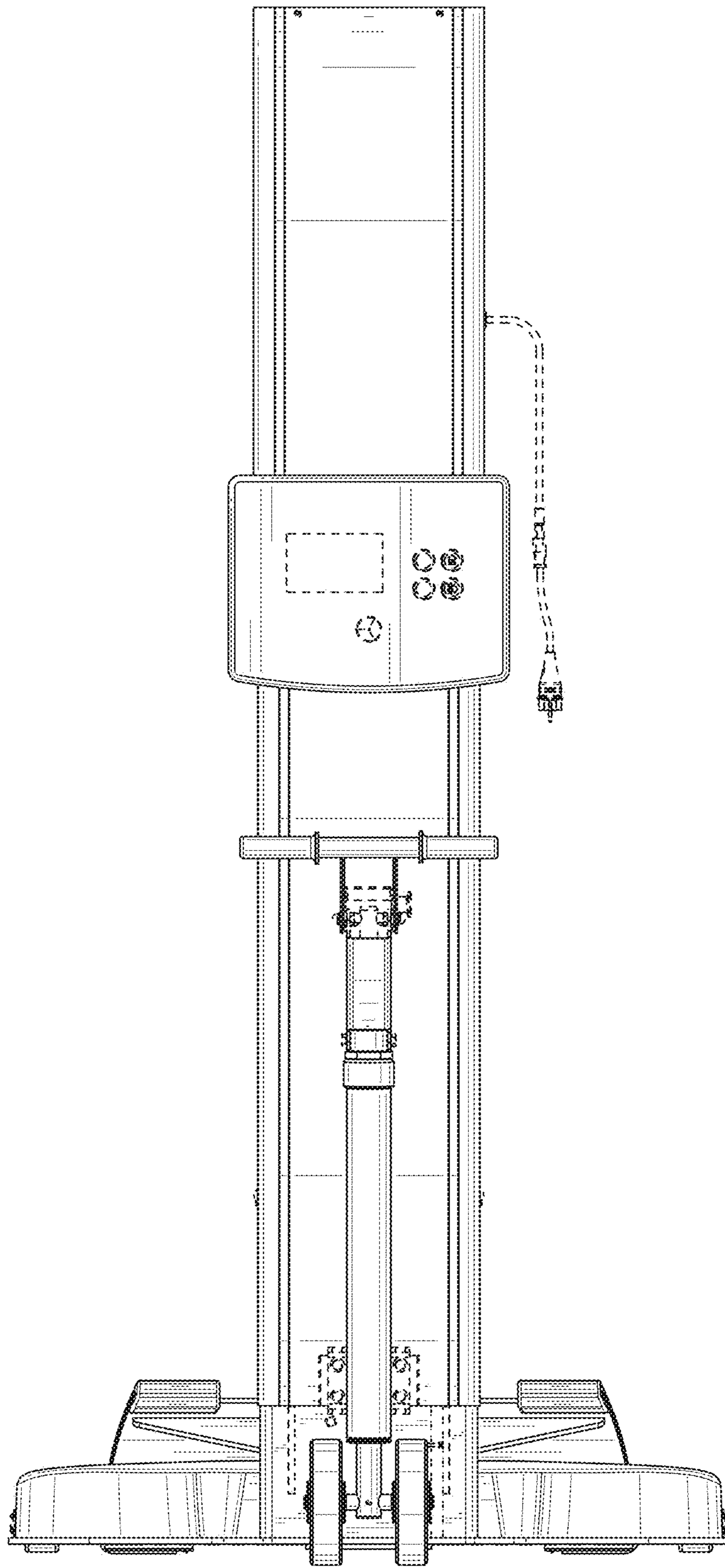


FIG. 3

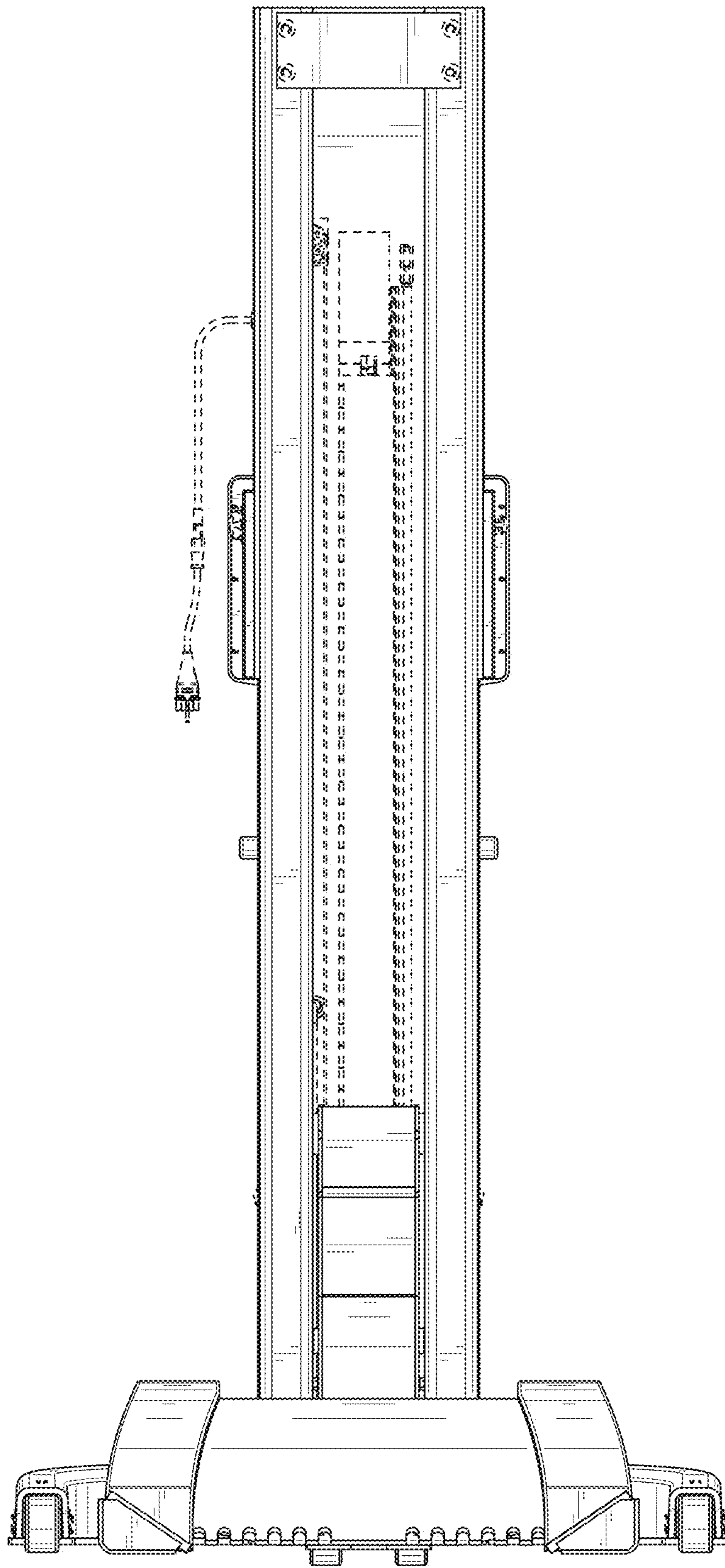


FIG. 4

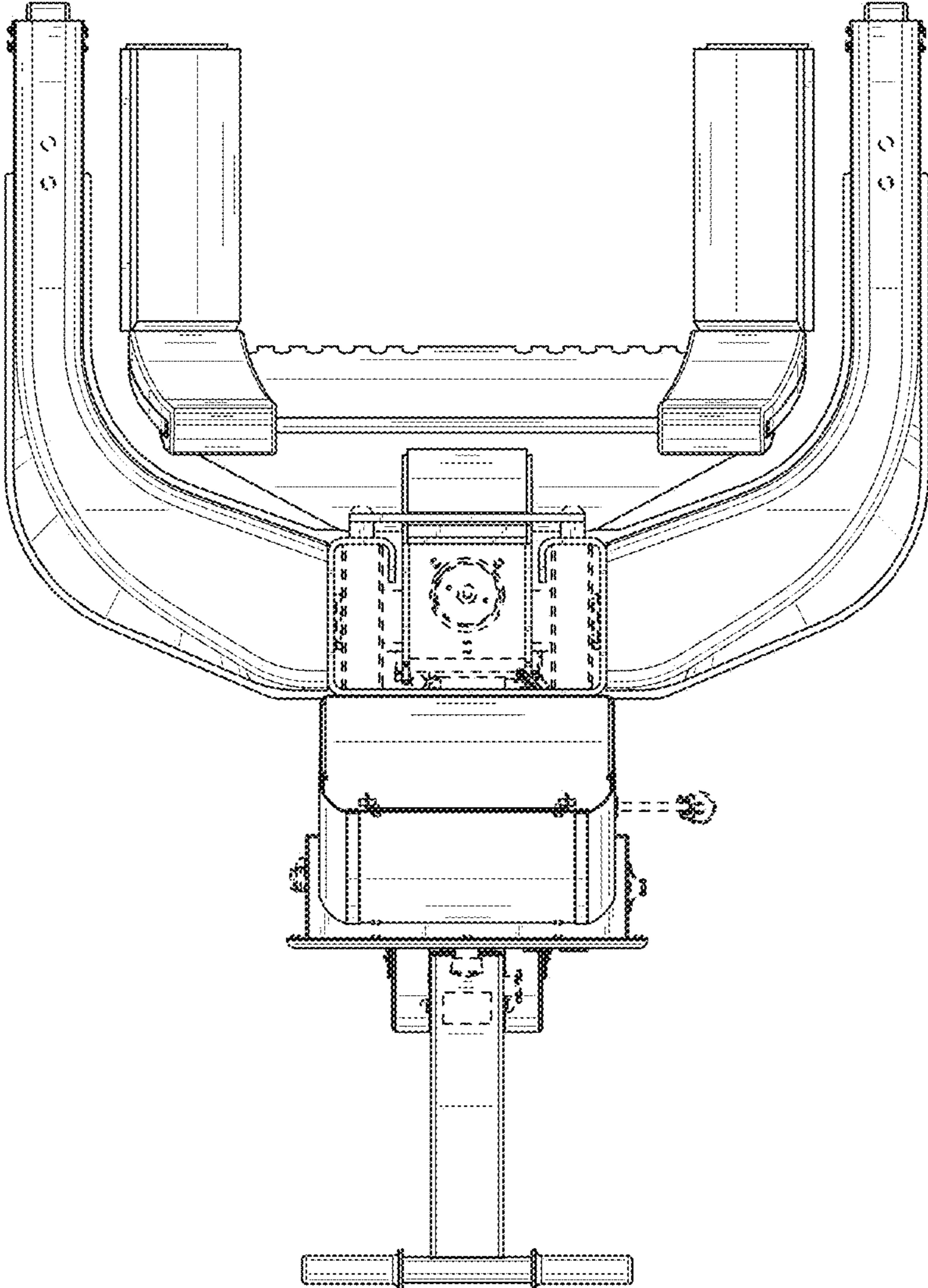


FIG. 5

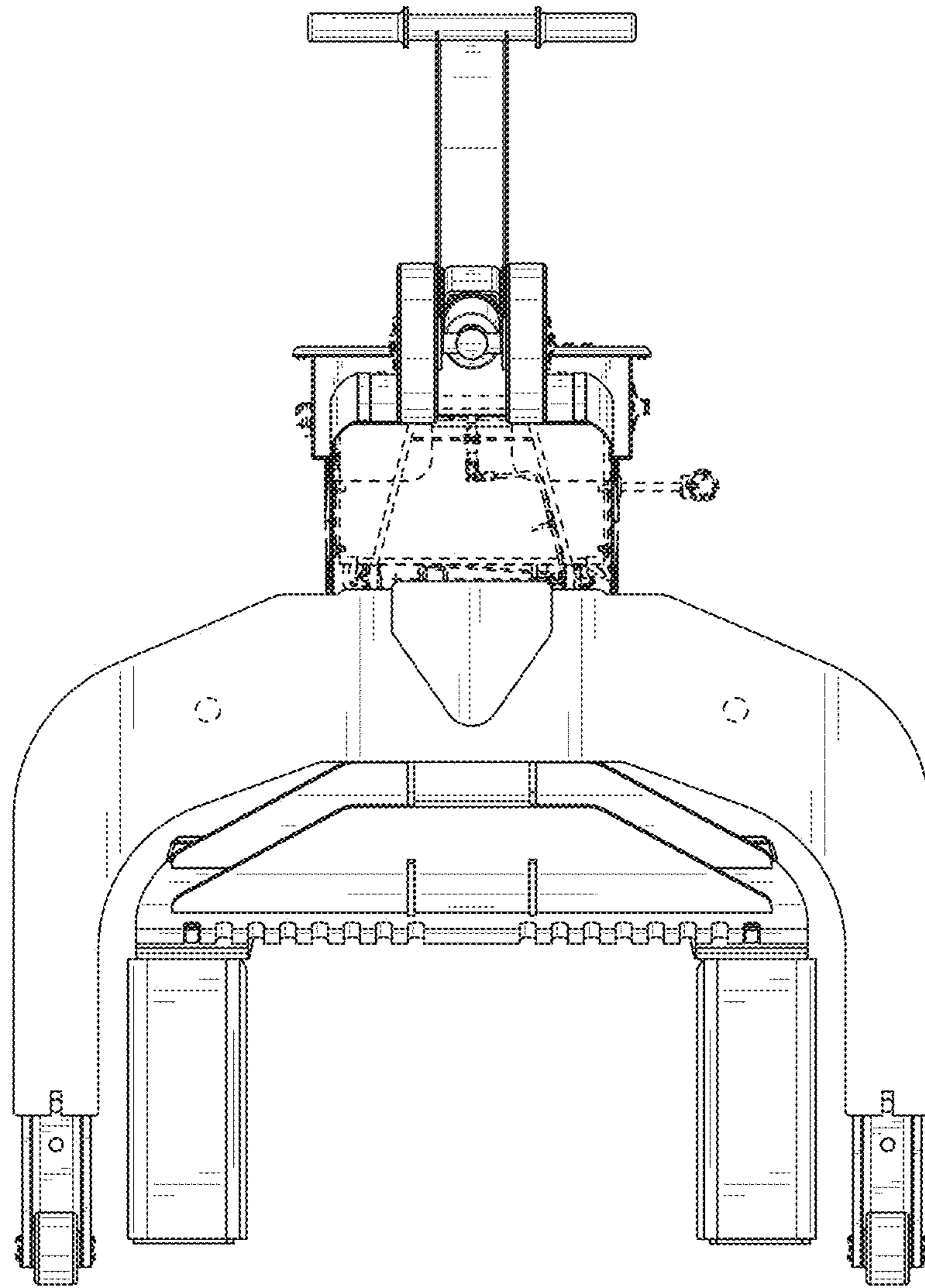


FIG. 6

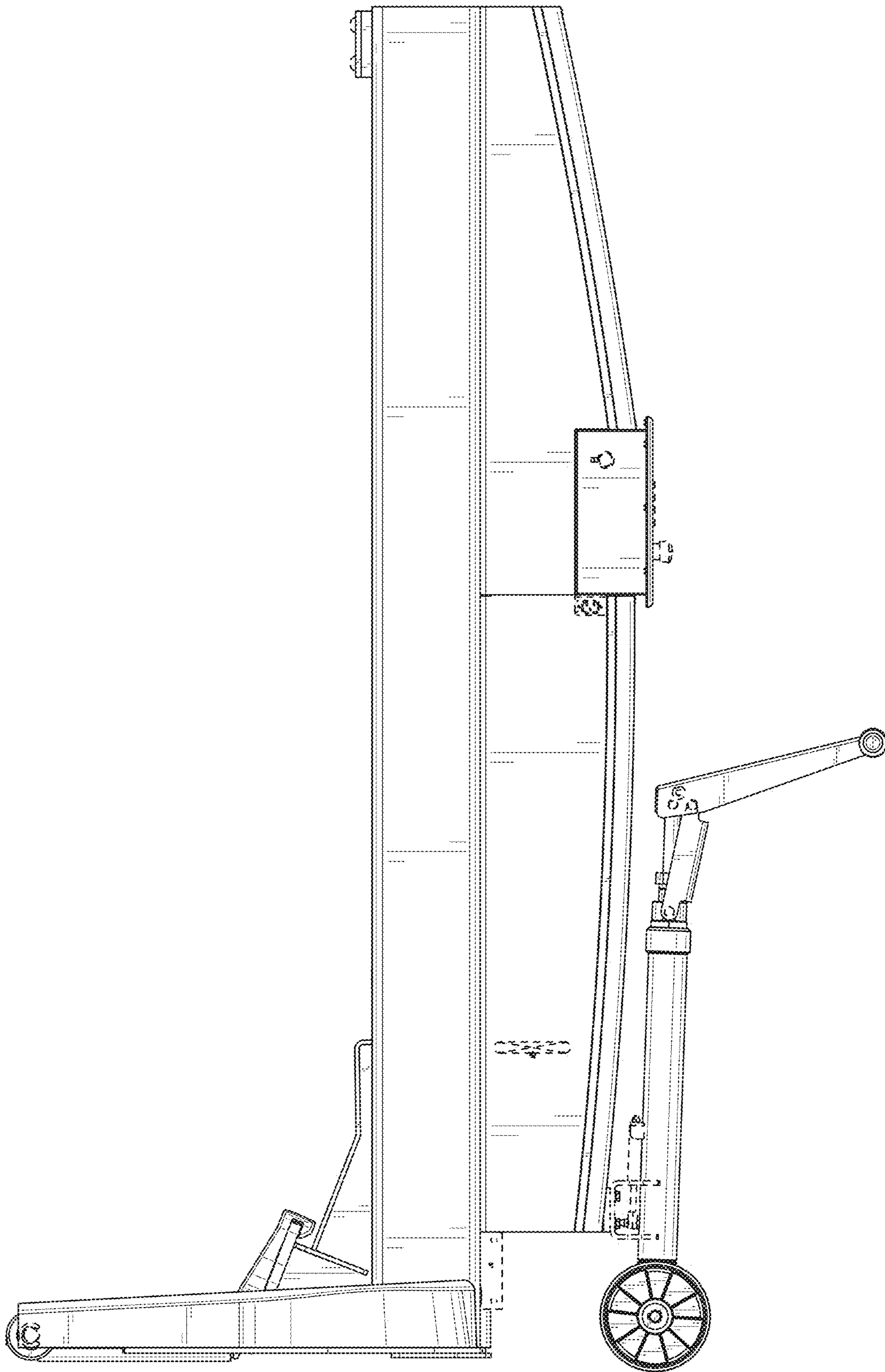


FIG. 7

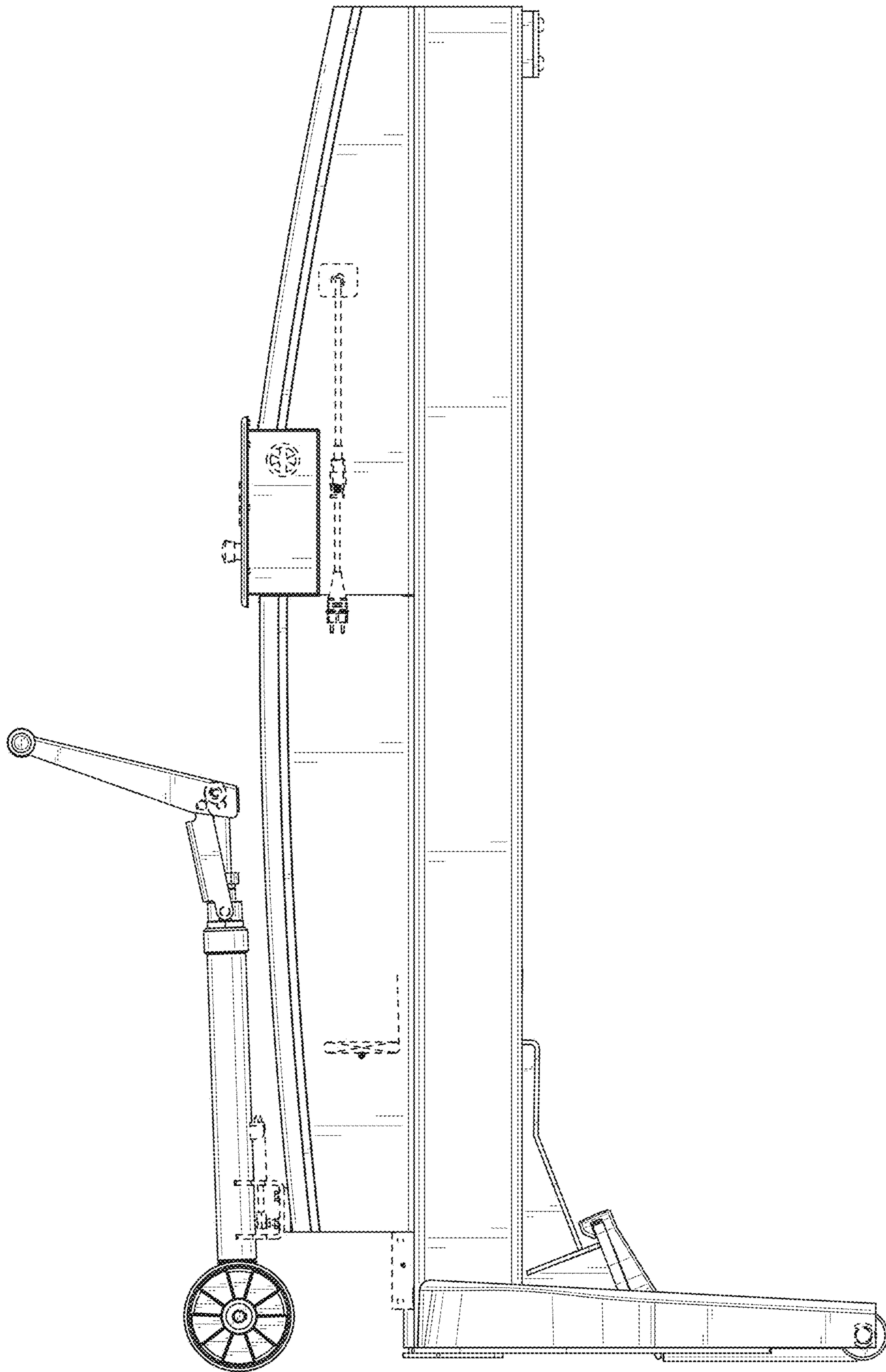


FIG. 8