



US00D874080S

(12) **United States Design Patent**
Walash

(10) **Patent No.:** **US D874,080 S**

(45) **Date of Patent:** **** Jan. 28, 2020**

(54) **WIRE DISPENSER ENCLOSURE**

(71) Applicant: **Neil Walash**, New York, NY (US)

(72) Inventor: **Neil Walash**, New York, NY (US)

(73) Assignee: **VonRohr Equipment Corp.**, East Orange, NJ (US)

(**) Term: **15 Years**

(21) Appl. No.: **29/661,137**

(22) Filed: **Aug. 24, 2018**

(51) **LOC (12) Cl.** **12-02**

(52) **U.S. Cl.**
USPC **D34/21**

(58) **Field of Classification Search**
USPC D6/329, 641, 642, 647, 653.11, 653.12, D6/657, 660-663, 672, 675, 681, 683, D6/684, 682, 512, 513, 432, 465; D34/5, D34/12, 17, 19, 20, 21; D3/24, 25; 211/44, 204, 206; 233/106; 242/55.3, 242/131, 131.1; 280/47.35, 79.1 A, 79.3; D13/184; D30/108-119, 160, 161, 199
CPC A01K 1/0245; A01K 1/00; A01K 1/02; A01K 1/03; A01K 1/031

See application file for complete search history.

(56) **References Cited**

U.S. PATENT DOCUMENTS

D272,954 S *	3/1984	Sparks	D34/21
D283,182 S *	4/1986	Marshall	D30/108
D491,330 S *	6/2004	Violo	D34/17
D510,831 S *	10/2005	Schmidt	D6/703.3
D521,285 S *	5/2006	Schmidt	D6/703
9,622,575 B2 *	4/2017	Vickary	E05C 19/002
D821,052 S *	6/2018	Bohn	D34/19
D822,932 S *	7/2018	Burns	D34/5

(Continued)

OTHER PUBLICATIONS

“In-House Material Handling von Rohr Equipment Corp” available Aug. 12, 2019, [online], [site visited Aug. 12, 2019]. Retrieved from Internet, URL:https://www.vonrohrequipment.com/fabrication-1 (Year: 2019).*

(Continued)

Primary Examiner — Michael C Stout

Assistant Examiner — Katrina N Gonzalez

(74) *Attorney, Agent, or Firm* — Thomas J. Germinario

(57) **CLAIM**

The ornamental design for a wire dispenser enclosure, as shown and described.

DESCRIPTION

FIG. 1 is a front left-side perspective view of a wire dispenser enclosure showing my claimed design, shown with doors closed.

FIG. 2 is a front right-side perspective view thereof.

FIG. 3 is a front left-side perspective view, shown with the doors open.

FIG. 4 is a front right-side perspective view thereof.

FIG. 5 is a top plan view thereof, shown with the doors closed.

FIG. 6 is another front right-side perspective view of FIG. 2, shown in a configuration of use with a wire reel, reel retainer and an extended wire.

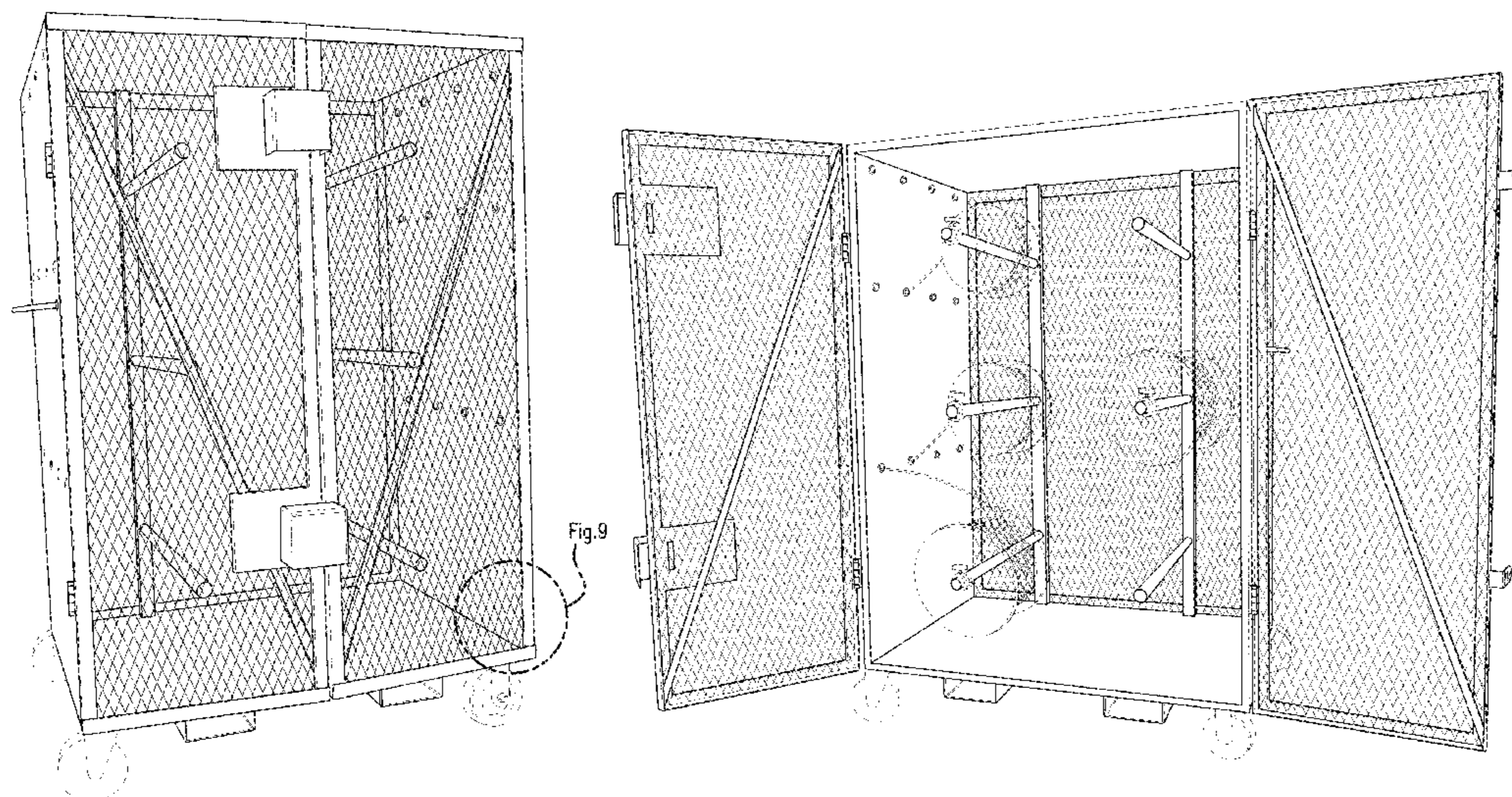
FIG. 7 is another front right-side perspective view of FIG. 4, shown in a configuration of use with four wire reels, four reel retainers and three extended wires.

FIG. 8 is a rear left-side perspective view, shown with the doors closed; and,

FIG. 9 is an enlarged detail view of the circled areas of FIG. 1, showing the mesh pattern.

The dash-dash broken lines illustrate environmental structure that forms no part of the claimed design. The bottom of the wire dispenser enclosure is flat but for the two forklift slots shown in the above-described figures.

1 Claim, 9 Drawing Sheets



(56)

References Cited

U.S. PATENT DOCUMENTS

D828,971 S * 9/2018 Cai D34/21

OTHER PUBLICATIONS

“Mesh Cabinet _ Greenlee” available Aug. 12, 2019, [online], [site visited Aug. 12, 2019]. Retrieved from Internet, URL:<https://www.greenlee.com/us/en/mesh-cabinet-5060mesh> (Year: 2019).*

“Trucks and Carts _ Security Trucks” available Mar. 23, 2018, [online], [site visited Aug. 12, 2019]. Retrieved from Internet, URL:<https://www.globalindustrial.com/p/material-handling/trucks-carts/security-cage/wire-security-storage-truck-36x18x70-with-dolly-base-1600-lb-capacity> (Year: 2018).*

“Flammable-OSHA Cabinets” available Aug. 12, 2019, [online], [site visited Aug. 12, 2019]. Retrieved from Internet, URL:<https://www.globalindustrial.com/p/storage/flammable-osh-cabinets/cylinder/cylinder-storage-cabinet-double-door-horizontal-16-cylinder-capacity> (Year: 2019).*

“High Mobile Chrome Wine and Liquor Security Cage” available Aug. 12, 2019, [online], [site visited Aug. 12, 2019]. Retrieved from Internet, URL:<https://www.precisiontools.com/14-inch-deep-x-36-inch-wide-x-63-inch-high-mobile-chrome-wine-and-liquor-security-cage.html> (Year: 2019).*

* cited by examiner

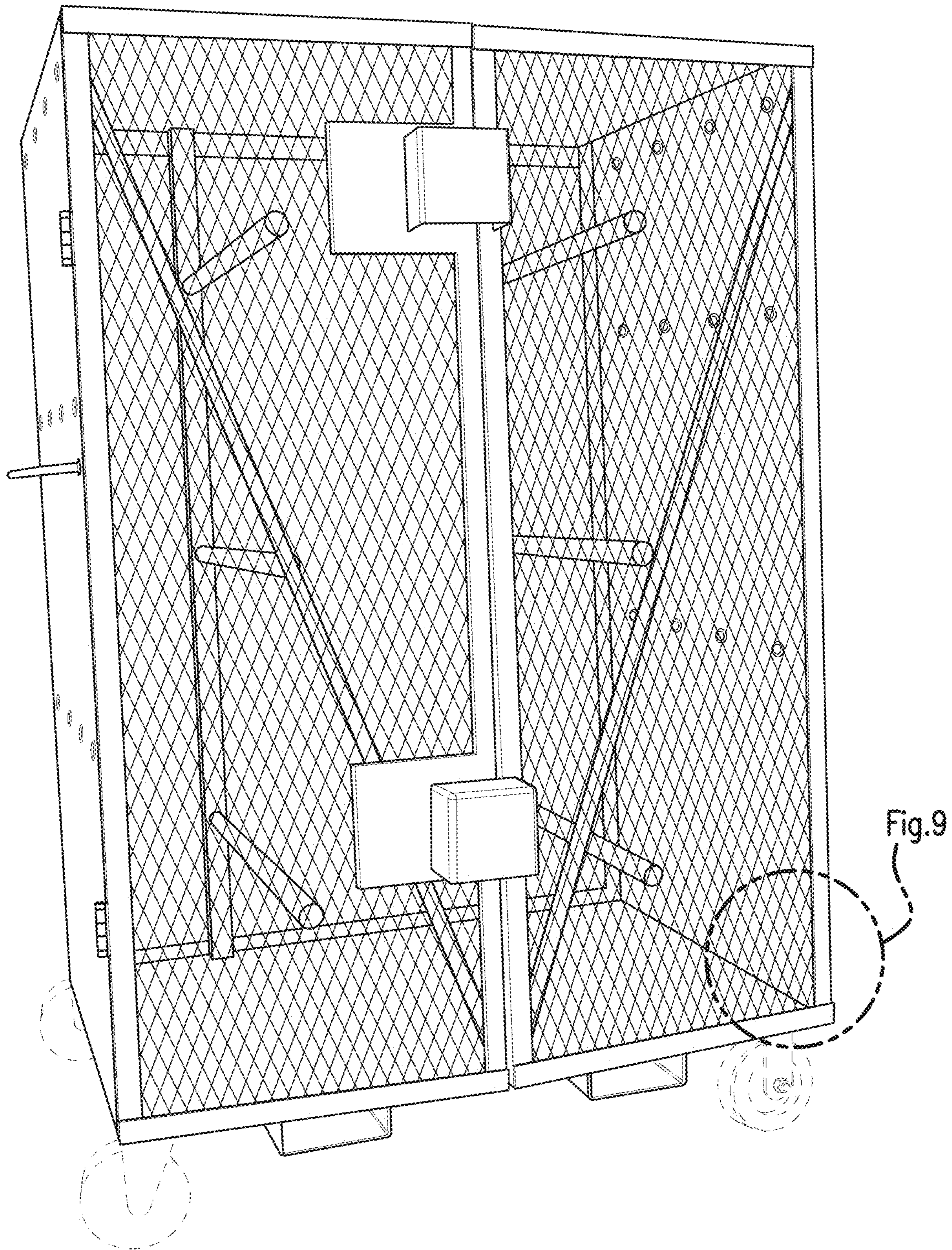


FIG. 1

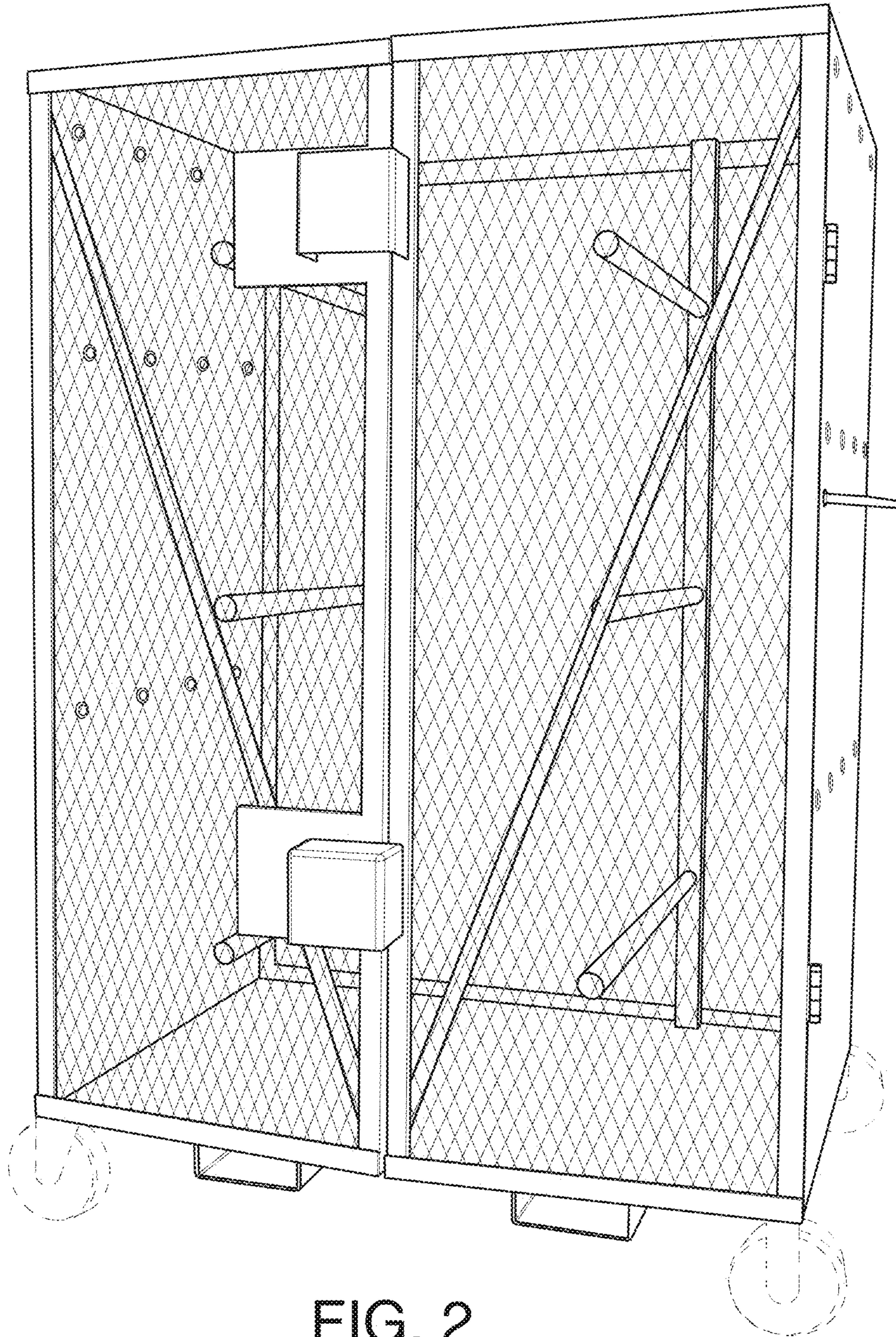


FIG. 2

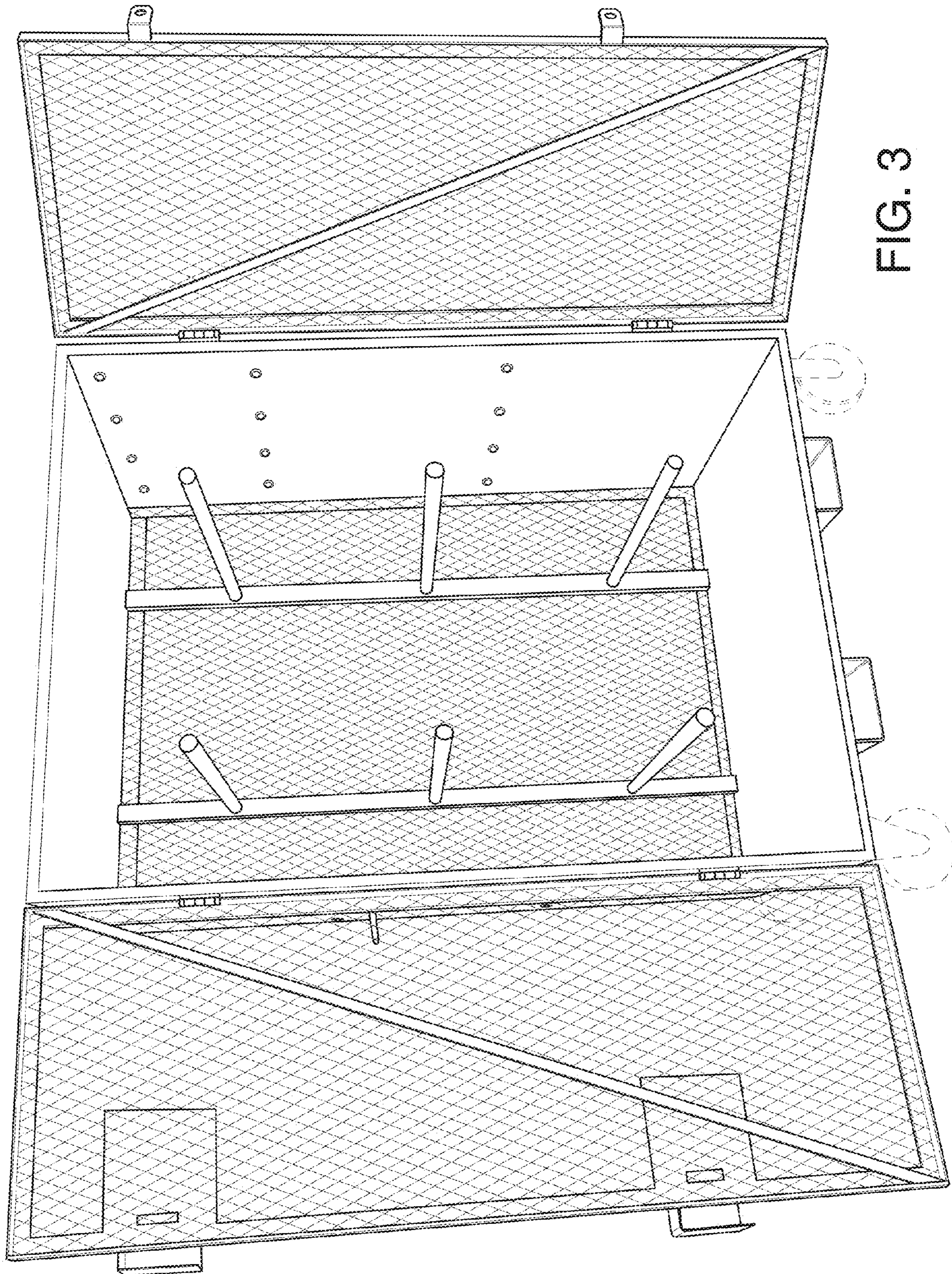


FIG. 3

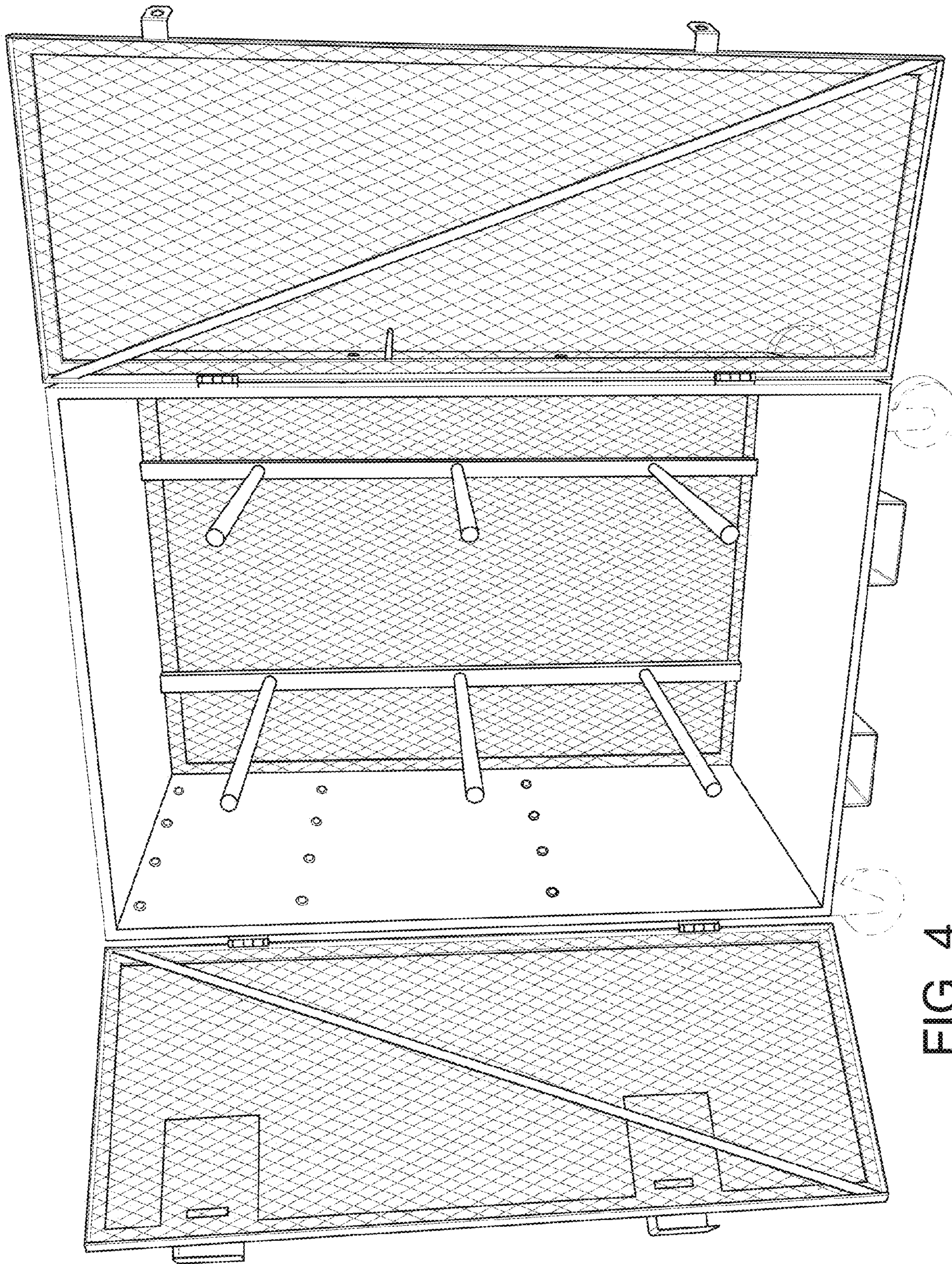


FIG. 4

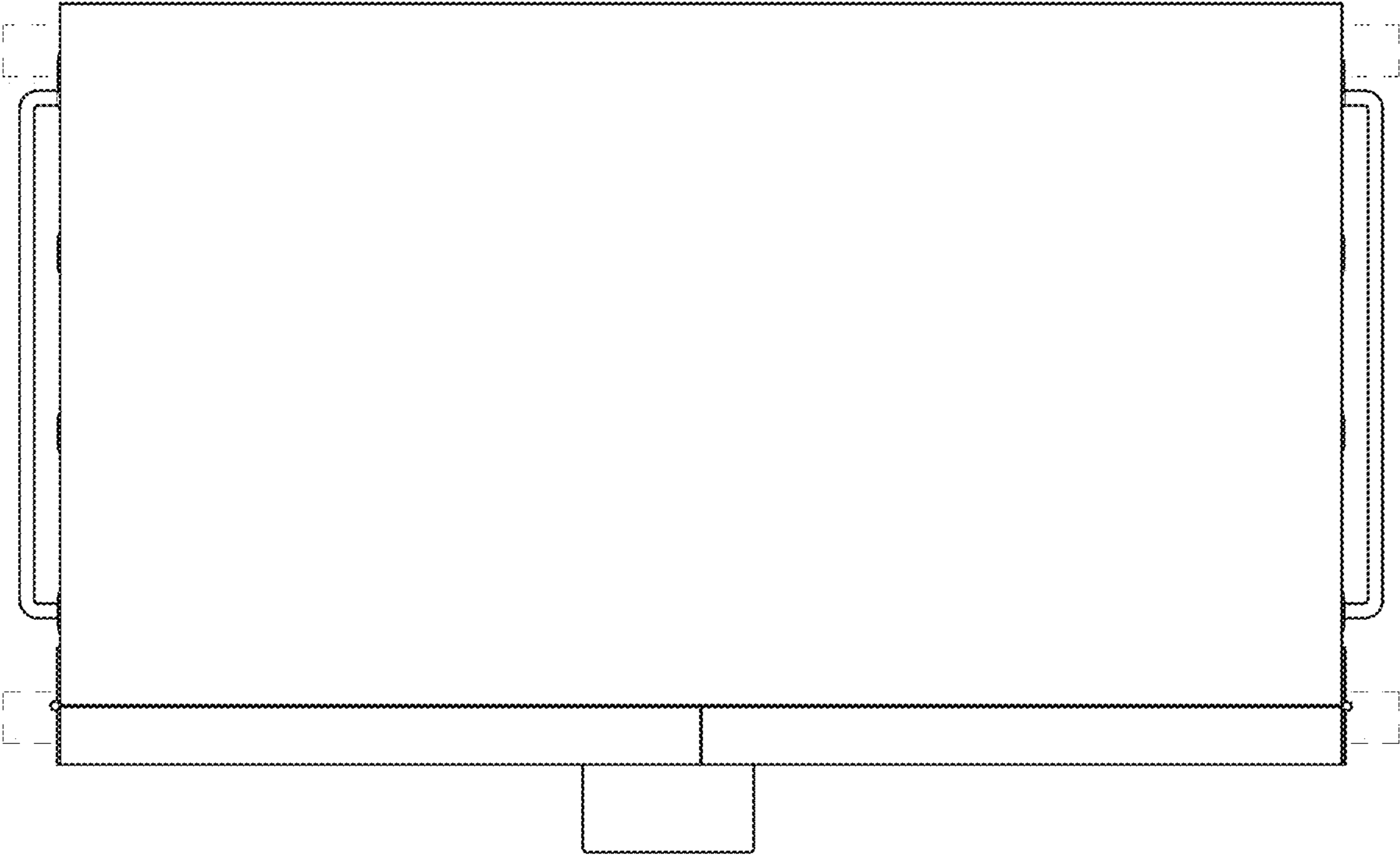


FIG. 5

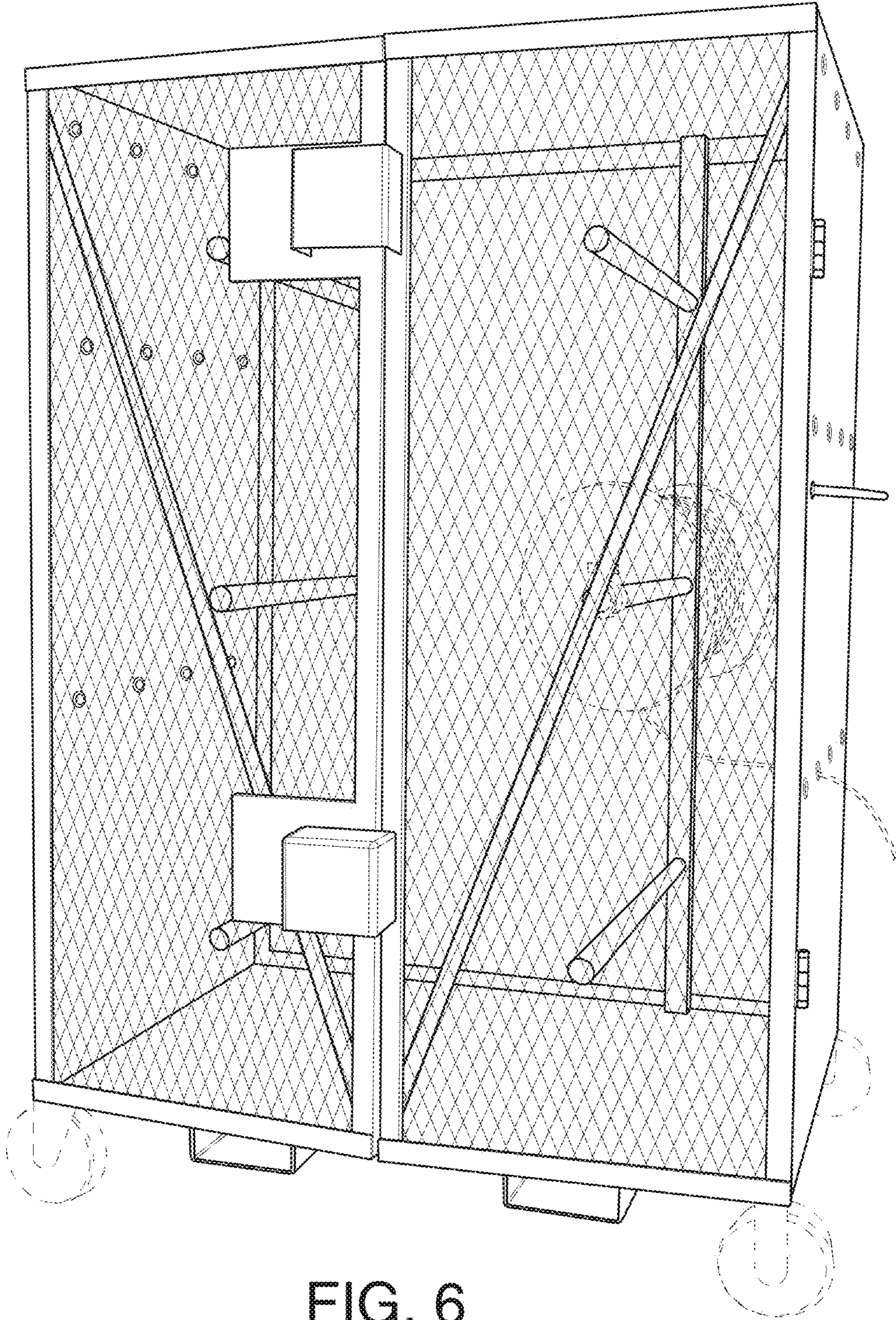


FIG. 6

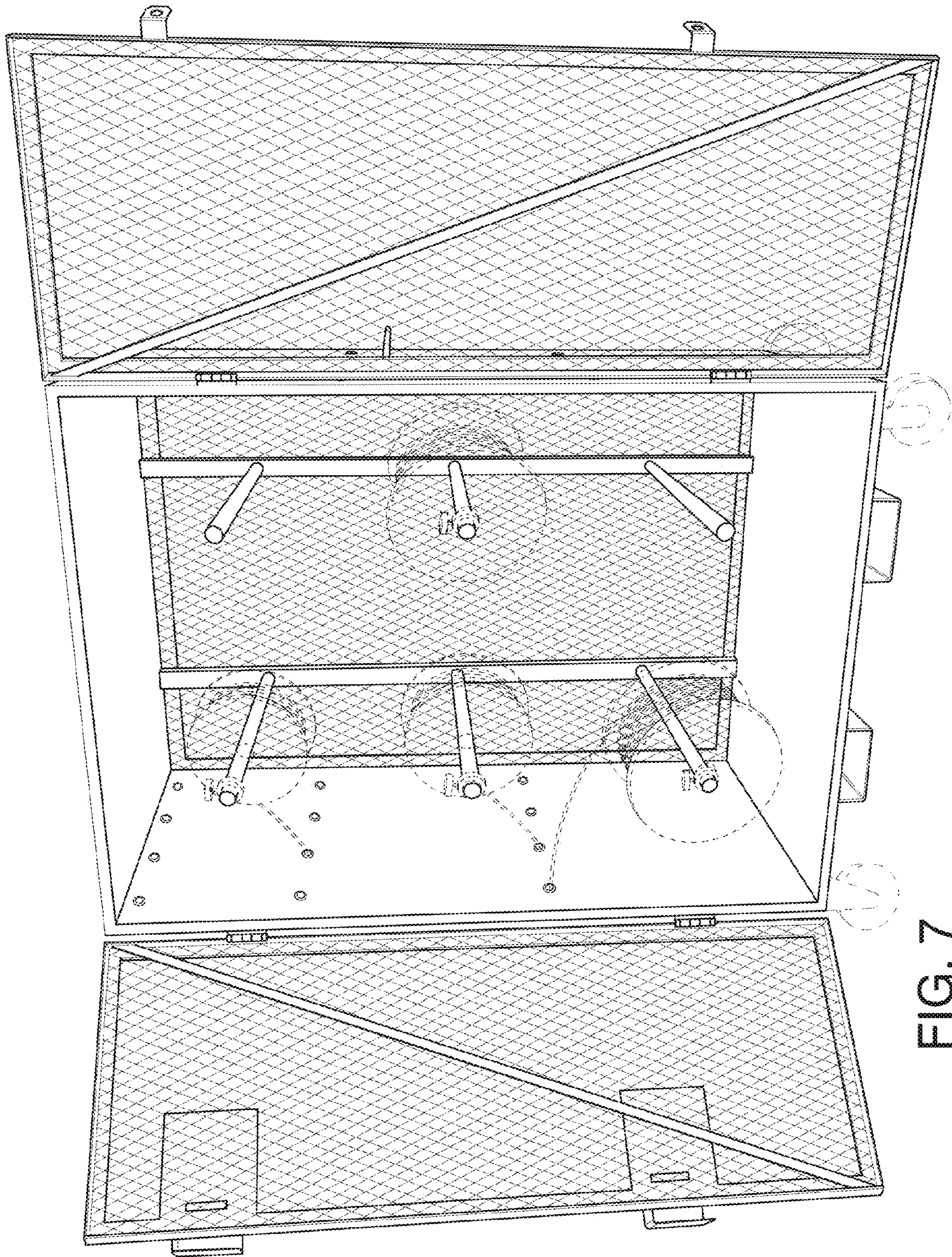


FIG. 7

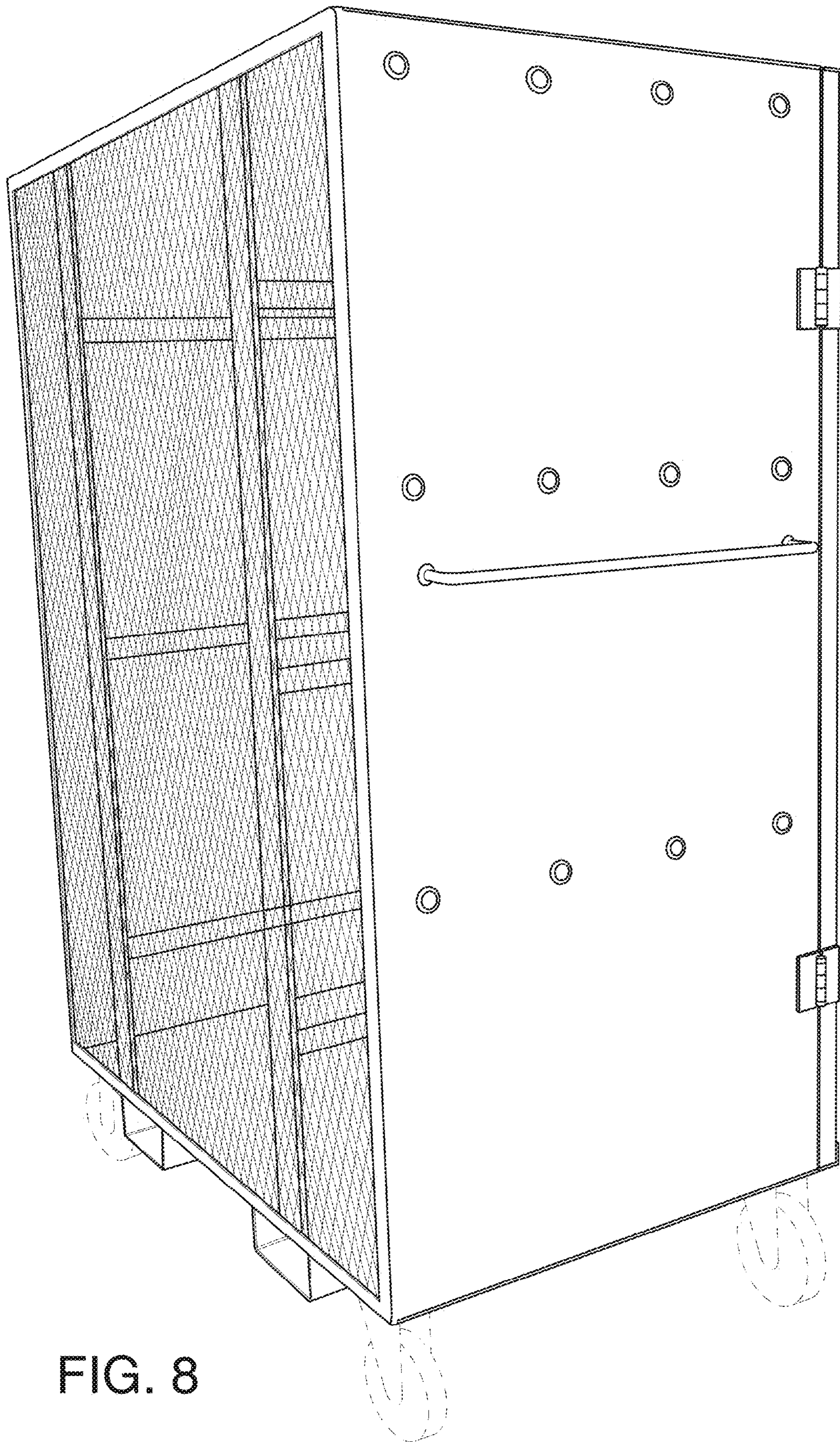


FIG. 8

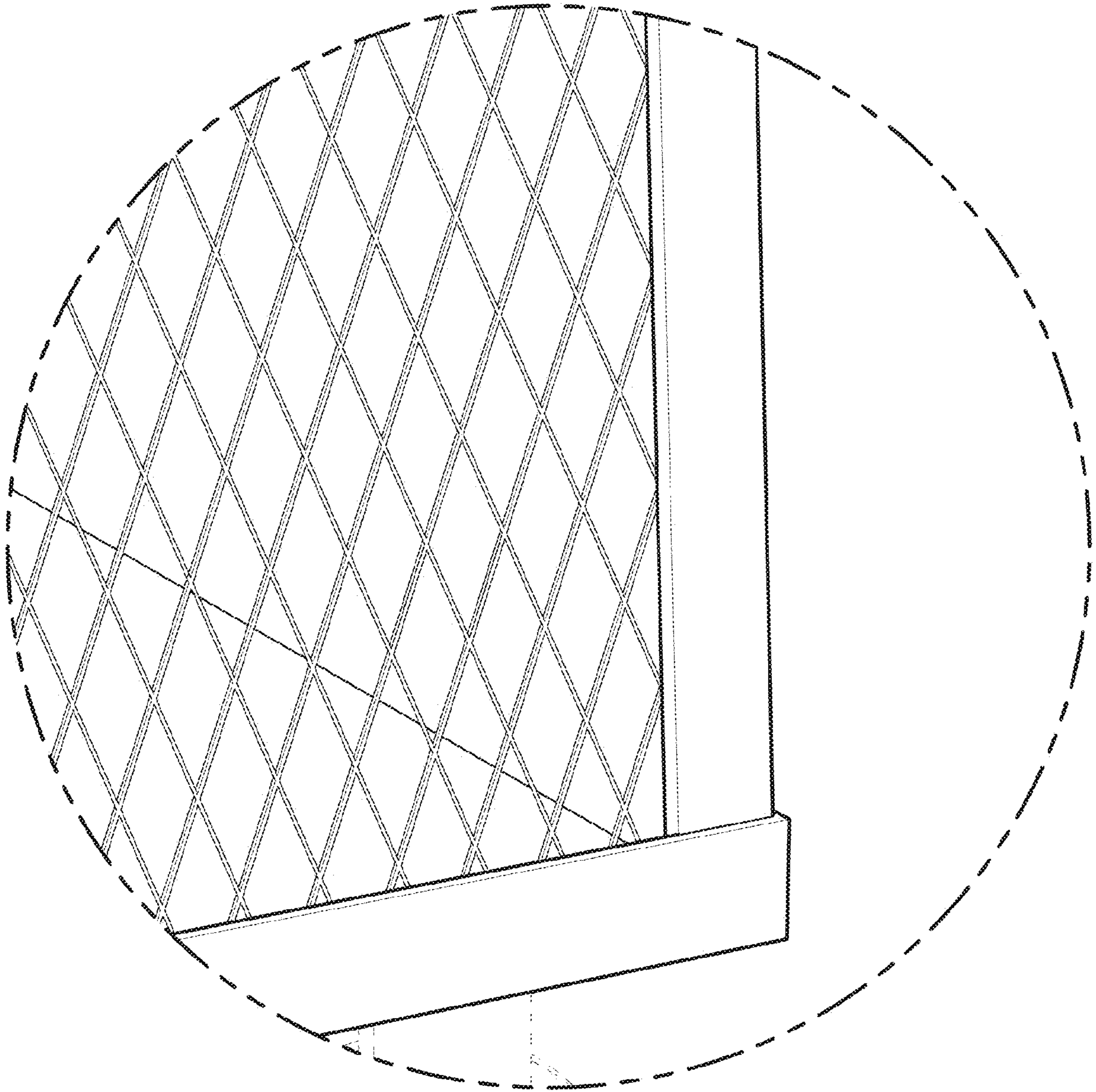


FIG. 9