



US00D874074S

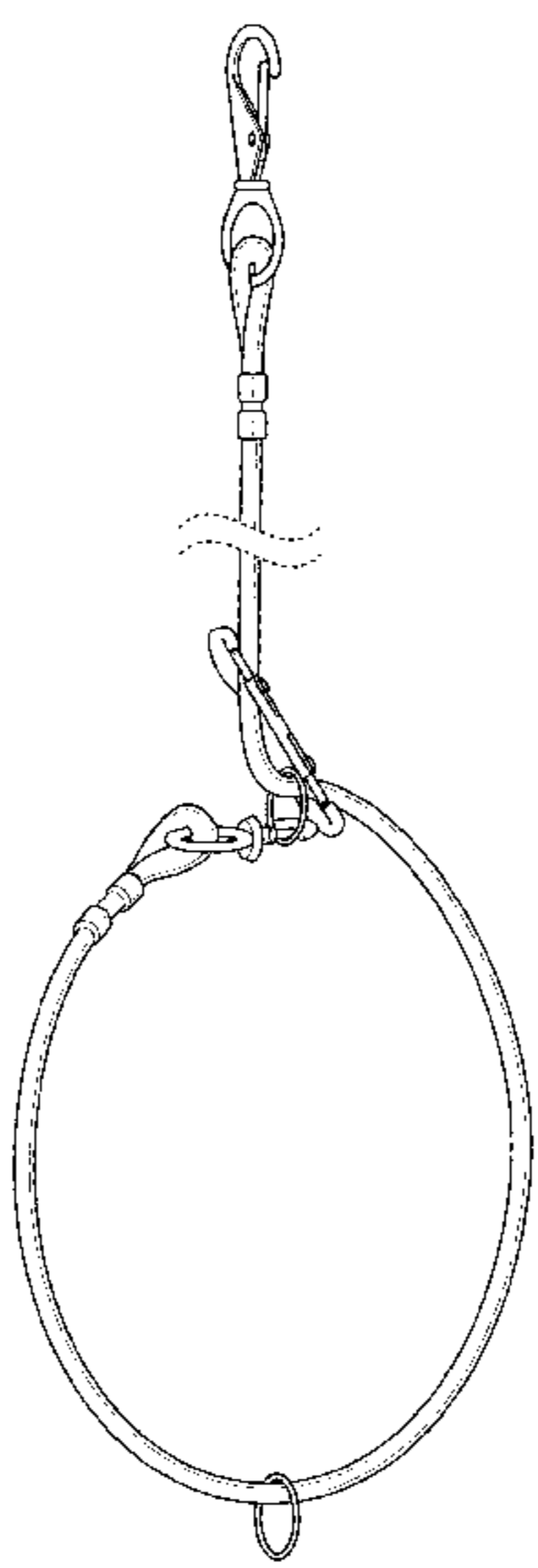
(12) **United States Design Patent** (10) **Patent No.:** **US D874,074 S**  
**Chirico** (45) **Date of Patent:** **\*\* Jan. 28, 2020**

(54) **DOG LEASH** 5,020,192 A \* 6/1991 Gerlach ..... F16G 11/12  
24/115 R  
(71) Applicant: **John Chirico**, Daly City, CA (US) 5,462,019 A 10/1995 Hong-Rong et al.  
5,511,293 A 4/1996 Hubbard et al.  
(72) Inventor: **John Chirico**, Daly City, CA (US) 5,709,172 A 1/1998 Maglich  
5,732,660 A 3/1998 David et al.  
(\*\*) Term: **15 Years** (Continued)

(21) Appl. No.: **29/594,097** FOREIGN PATENT DOCUMENTS  
(22) Filed: **Feb. 15, 2017** GB 2492314 1/2013

**Related U.S. Application Data** OTHER PUBLICATIONS  
(63) Continuation-in-part of application No. 13/889,951, "Black Raven Dog Leash". Found online Feb. 7, 2018 at mydogscool.com. Page dated Jul. 22, 2012. Retrieved from https://mydogscool.com/store/leashes/raven-dog-leash/\*  
(51) **LOC (12) Cl.** ..... **30-04** (Continued)  
(52) **U.S. Cl.** ..... **D30/153**  
(58) **Field of Classification Search** *Primary Examiner* — Kendra Leslie Hamilton  
USPC ..... D30/144, 151, 152, 153, 154, 199; (74) *Attorney, Agent, or Firm* — Global Intellectual Property Agency, LLC; Daniel Boudwin  
D3/215, 231, 299, 303; D8/107, 300, D8/303; D21/682, 683, 684, 732, 777, D21/840  
CPC ..... A01K 27/003  
See application file for complete search history.

(56) **References Cited** (57) **CLAIM**  
U.S. PATENT DOCUMENTS The ornamental design for a dog leash, as shown and described.  
**DESCRIPTION**  
1,153,724 A 8/1874 Schmidt FIG. 1 shows a perspective view of a dog leash showing my new design;  
299,179 A \* 5/1884 Sweet ..... F16G 11/00 24/115 R FIG. 2 shows a front view thereof;  
1,615,586 A \* 1/1927 Kleffman ..... A01M 23/34 119/805 FIG. 3 shows a rear view thereof;  
2,289,802 A 7/1942 Norton FIG. 4 shows a right side view thereof;  
2,827,017 A \* 3/1958 Ryan ..... A01K 27/003 119/793 FIG. 5 shows a left side view thereof;  
4,019,463 A 4/1977 Kitchen FIG. 6 shows a top plan view thereof; and,  
D293,043 S \* 12/1987 Zamboni ..... D30/153 FIG. 7 shows a bottom plan view thereof.  
4,964,369 A \* 10/1990 Sporn ..... A01K 27/002 119/818 The dog leash is shown with a symbolic break in its length.  
5,003,929 A \* 4/1991 Dean ..... A01K 27/005 119/784 The appearance of any portion of the article between the pair of dashed, broken lines forms no part of the claimed design.



**1 Claim, 5 Drawing Sheets**

(56)

**References Cited**

## U.S. PATENT DOCUMENTS

D408,103	S	*	4/1999	Snedeker	.....	D30/153
5,893,339	A		4/1999	Liu		
D435,721	S	*	1/2001	Lukach	.....	D3/207
6,662,753	B1		12/2003	Sporn		
7,013,840	B2		3/2006	Leon		
D600,863	S	*	9/2009	Goodell	.....	D30/153
D683,085	S		5/2013	Parker		
D796,124	S	*	8/2017	Ying	.....	D30/153
2006/0096552	A1		5/2006	Tsai		
2011/0203532	A1*		8/2011	Edlin	.....	A01K 27/005 119/792
2012/0204813	A1		8/2012	Chirico		
2013/0074783	A1		3/2013	Chapin		
2017/0127653	A1*		5/2017	Fang	.....	A01K 27/003

## OTHER PUBLICATIONS

“Mountain Rope Choke Collar”. Found online Feb. 27, 2017 at amazon.com. Page dated Aug. 14, 2012. Retrieved from <https://www.amazon.com/Mountain-Rope-Choke-Collar-Inch/dp/B001BUUJAY>.\*

“Mazzella 6x25 IWRC Swage Wire”. Found online Oct. 28, 2016 at [irrigingsells.blogspot.com](http://irrigingsells.blogspot.com). Page dated Oct. 2011. Retrieved from [http://irrigingsells.blogspot.com/2011/10/mazzella-6-x-25-iwrc-swage-wire-rope\\_06.html](http://irrigingsells.blogspot.com/2011/10/mazzella-6-x-25-iwrc-swage-wire-rope_06.html).\*

“Mountain Rope Leash Brass Collection”. Found online Feb. 7, 2019 at [nationalleash.com](http://nationalleash.com). Page dated Jun. 19, 2015. Retrieved from <https://web.archive.org/web/20150619181820/http://nationalleash.com/MountainRopeLeashLarge.htm>.\*

\* cited by examiner

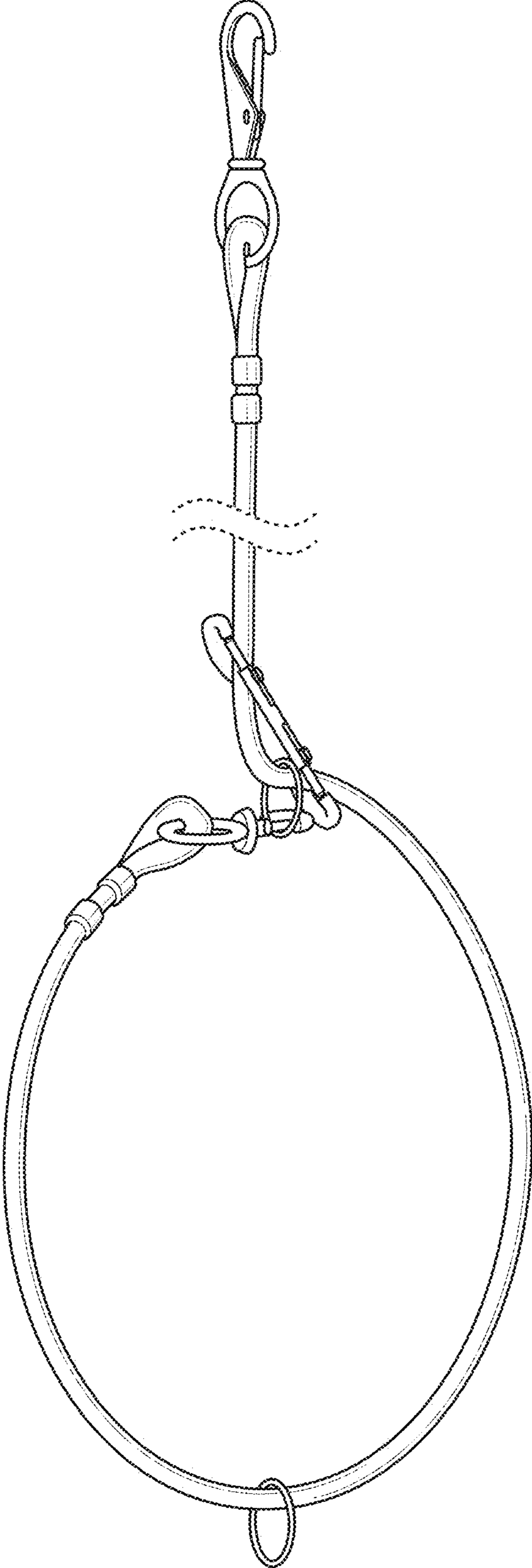


FIG. 1

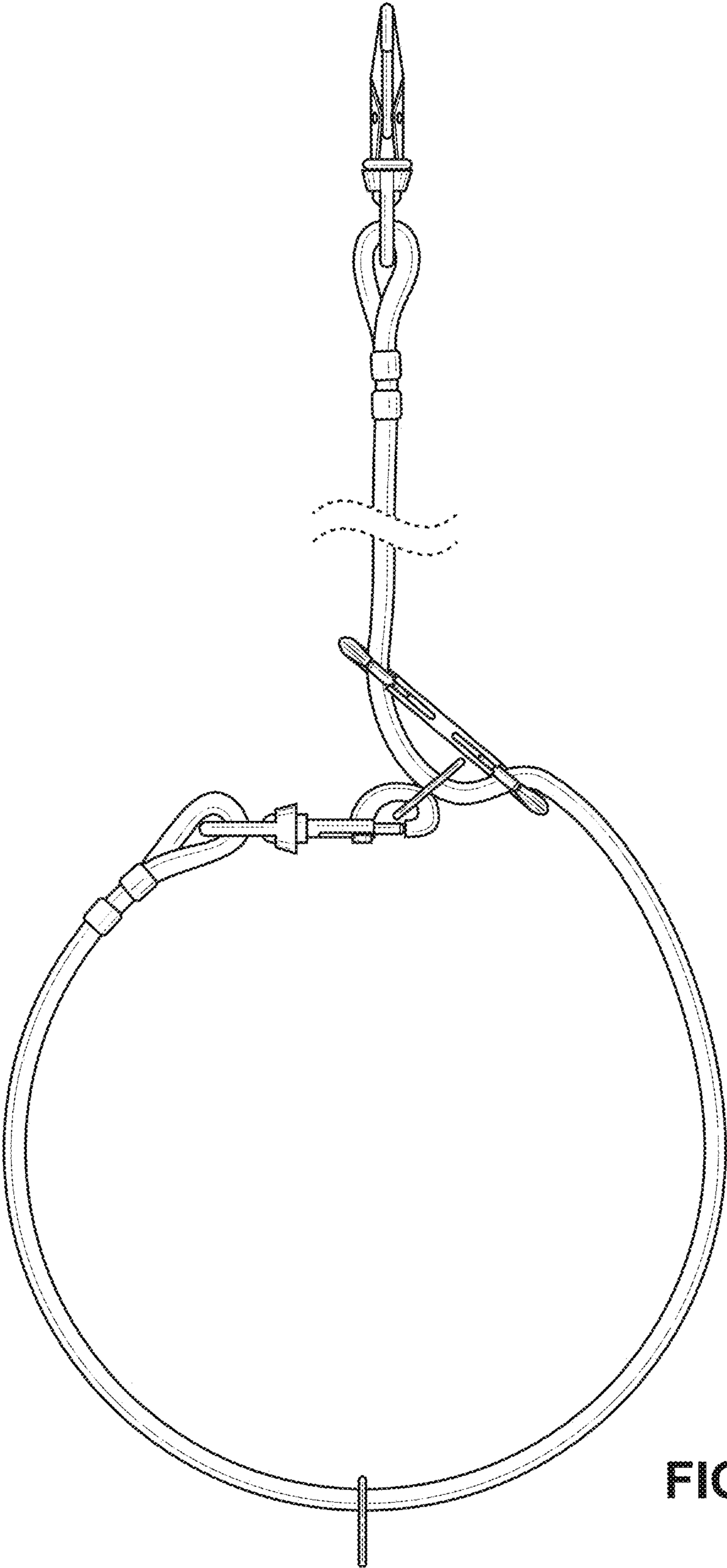


FIG. 2

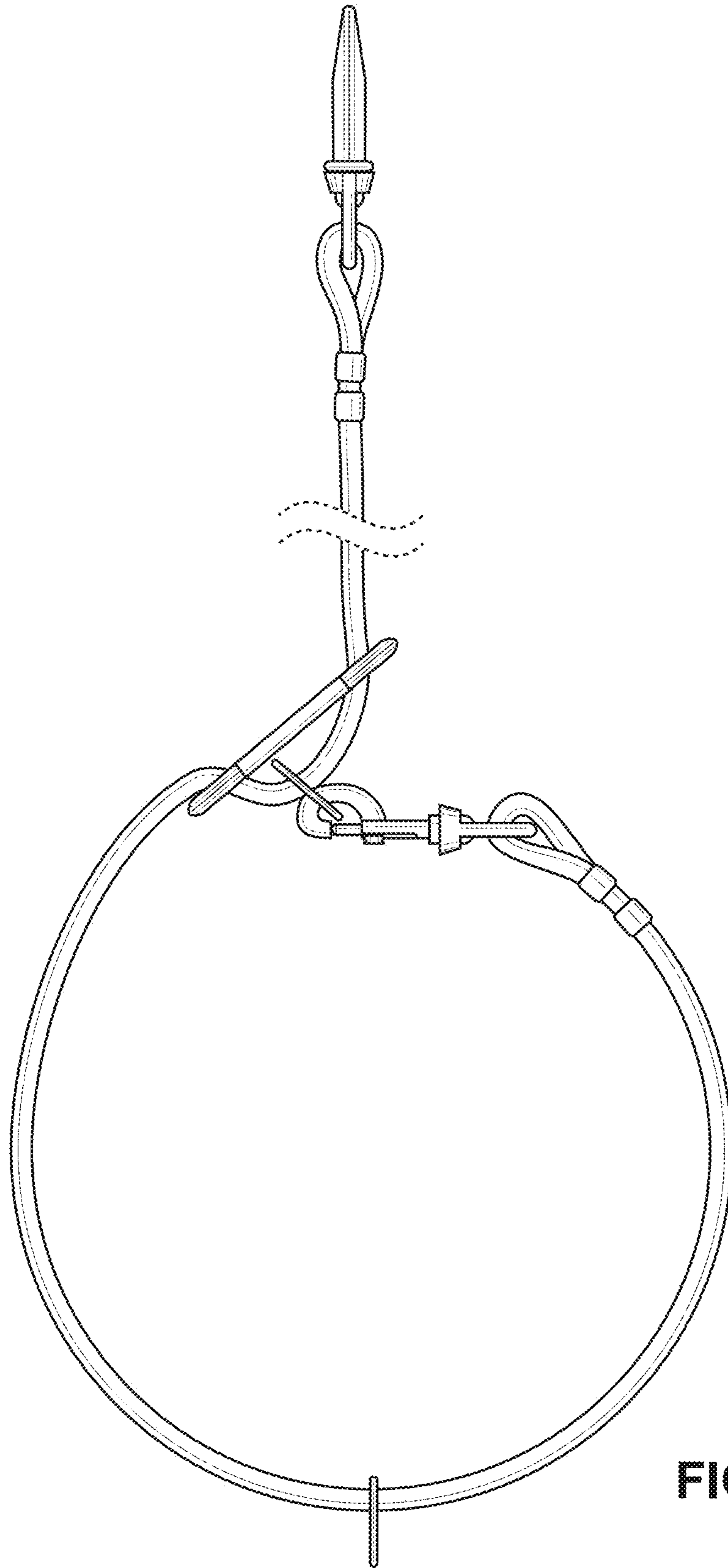


FIG. 3



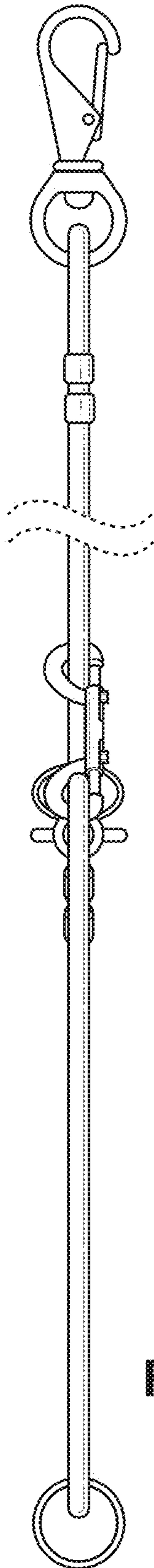


FIG. 4

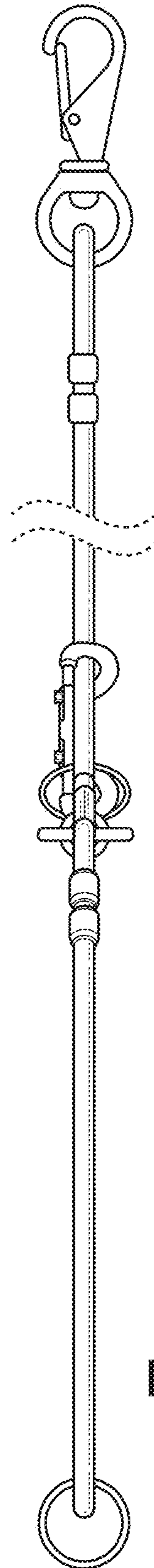


FIG. 5

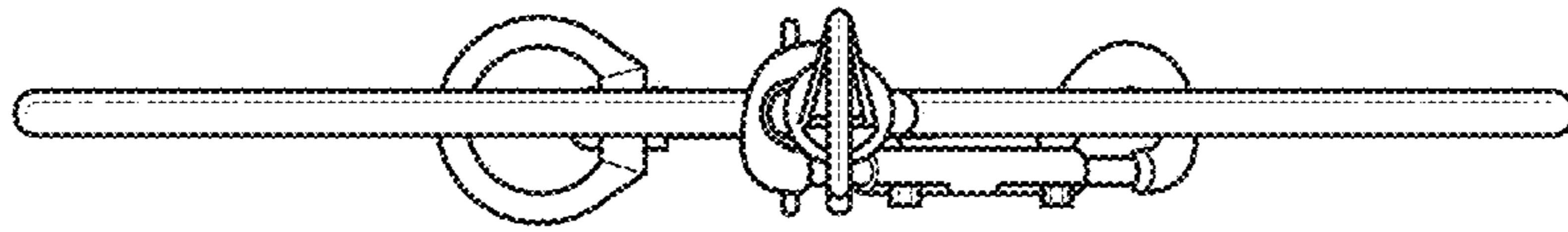


FIG. 6

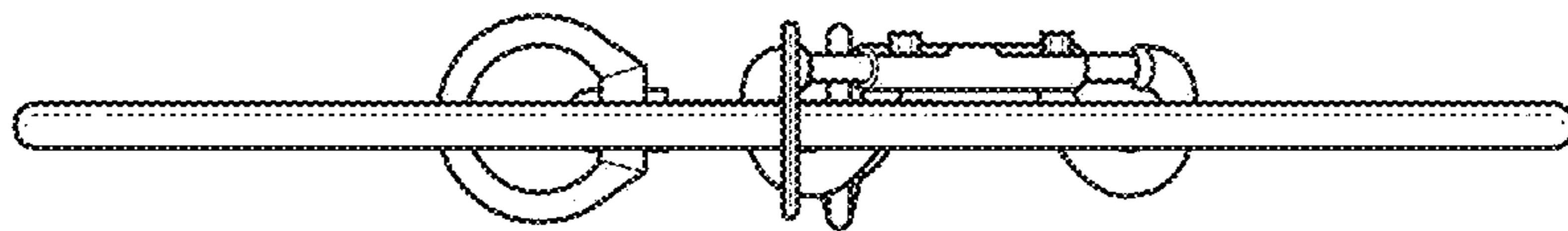


FIG. 7