



US00D874072S

(12) **United States Design Patent**
Bui

(10) **Patent No.:** **US D874,072 S**

(45) **Date of Patent:** **** Jan. 28, 2020**

(54) **PET DIAPER**

(71) Applicant: **Dang H Bui**, Henderson, NV (US)

(72) Inventor: **Dang H Bui**, Henderson, NV (US)

(73) Assignee: **Dang H Bui**, Henderson, NV (US)

(**) Term: **15 Years**

(21) Appl. No.: **29/634,241**

(22) Filed: **Jan. 19, 2018**

(51) **LOC (12) Cl.** **30-01**

(52) **U.S. Cl.**
USPC **D30/145**

(58) **Field of Classification Search**
USPC D30/144, 145; D24/124, 126, 190;
D21/683
CPC A01K 13/006; A61D 9/00
See application file for complete search history.

(56) **References Cited**

U.S. PATENT DOCUMENTS

- 58,081 A * 9/1866 Elveena B68B 1/04
54/80.1
- 3,211,132 A * 10/1965 Hersh A01K 23/00
119/850
- 4,813,949 A * 3/1989 O'Rourke A01K 21/00
119/869
- 5,005,525 A * 4/1991 Stanton A01K 23/00
119/838
- D329,927 S * 9/1992 Thomas D30/145
- D341,199 S * 11/1993 Huguley D24/124
- 5,463,985 A * 11/1995 Shover A01K 13/006
119/850
- D368,338 S * 3/1996 Levensgood 119/850
- 5,555,847 A * 9/1996 Kelly A01K 23/00
119/850
- D378,700 S * 4/1997 Taylor D24/124
- D406,410 S * 3/1999 Pasqua D24/126
- D423,098 S * 4/2000 Stancyk, Jr. D24/124

- D539,421 S * 3/2007 Donehue D24/124
- D555,297 S * 11/2007 Coleman D30/145
- D571,462 S * 6/2008 Qureshi D24/124
- D608,443 S * 1/2010 Thompson D24/126
- D638,175 S * 5/2011 Pellegrini D30/145
- D647,200 S * 10/2011 Slaughter D24/126

(Continued)

OTHER PUBLICATIONS

“Pet Parents Washable Dog Diapers.” Found online Apr. 10, 2019 at www.amazon.com. Product reviewed Nov. 30, 2016. Retrieved from URL: https://www.amazon.com/dp/B01KWLFZ0Q/ref=psdc_2975408011_t2_B00STRWFOU (Year: 2016).*

(Continued)

Primary Examiner — Mary Ann Calabrese
Assistant Examiner — Katelin G Kloberg

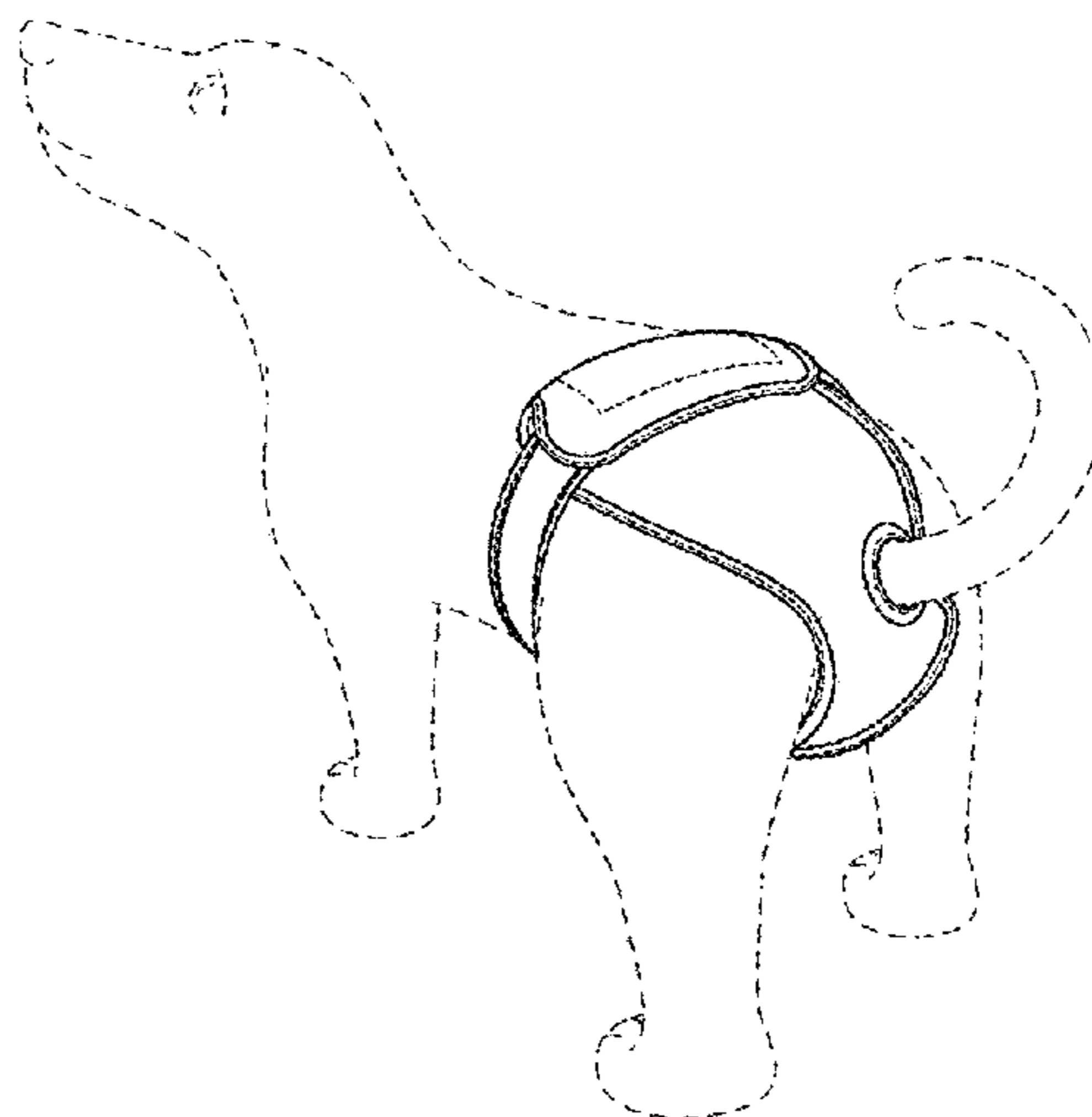
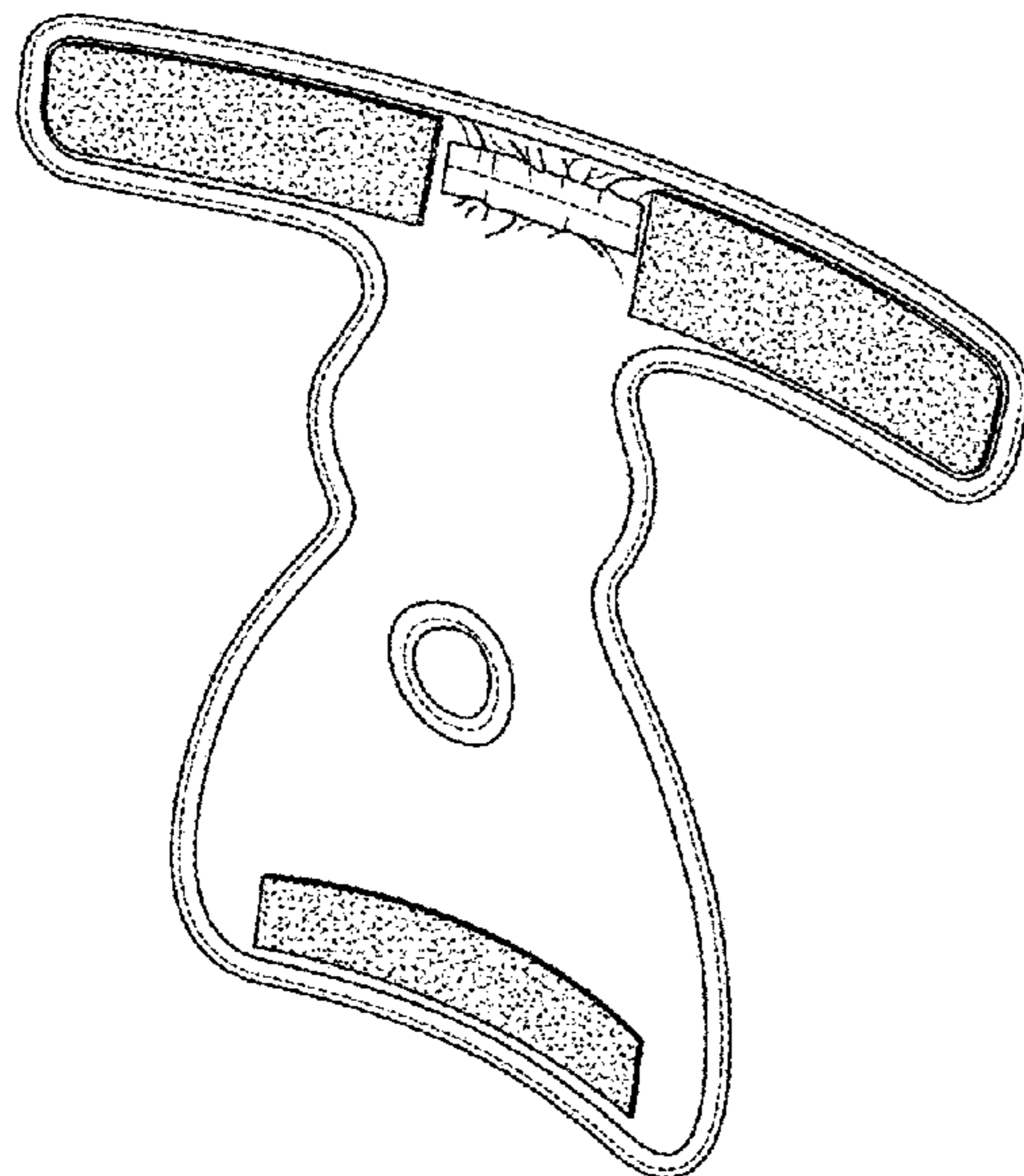
(57) **CLAIM**

The ornamental design for a pet diaper, as shown and described.

DESCRIPTION

FIG. 1 is a front perspective view a pet diaper in an open position, showing my new design; FIG. 2 is a back view thereof; FIG. 3 is a front view thereof; FIG. 4 is a right view thereof; FIG. 5 is a left side view thereof; FIG. 6 is a top view thereof; FIG. 7 is a bottom view thereof; and, FIG. 8 is a front perspective view of the pet diaper, shown in use. In the drawings, the broken lines represent stitching that forms part of the claimed design. Further the broken lines depicting the dog in FIG. 8 have been shown for the purpose of illustrating environment that forms no part of the claimed design.

1 Claim, 6 Drawing Sheets



(56)

References Cited

U.S. PATENT DOCUMENTS

8,161,916 B2 * 4/2012 Bertocci A61D 9/00
 119/850
 D679,004 S * 3/2013 Norman D24/124
 D693,524 S * 11/2013 Jangula D30/145
 D703,824 S * 4/2014 Ferguson, Jr. D21/683
 8,807,090 B1 * 8/2014 Potts A01K 23/00
 119/850
 D716,939 S * 11/2014 Giloh A61F 13/505
 D24/126
 9,107,388 B2 * 8/2015 Howell A01K 13/006
 D745,143 S * 12/2015 Coates D24/126
 D762,849 S * 8/2016 Davenport D24/126
 D788,294 S * 5/2017 Cardenas D24/126
 D792,967 S * 7/2017 Moritani D24/126
 D794,182 S * 8/2017 Roberts D24/126
 D840,026 S * 2/2019 Candy D24/124
 D842,400 S * 3/2019 Ross D21/683

2007/0204808 A1 * 9/2007 Harada A01K 13/006
 119/850
 2015/0114312 A1 * 4/2015 Cacopardo A01K 13/006
 119/850
 2017/0156295 A1 * 6/2017 Zoltanski A01K 23/00
 2018/0014508 A1 * 1/2018 Fang A01K 13/006
 2018/0249681 A1 * 9/2018 Martin A01K 23/00

OTHER PUBLICATIONS

“SnuggEase Washable Dog Diaper.” Found online Apr. 10, 2019 at www.amazon.com. Product reviewed Sep. 6, 2012. Retrieved from URL: <https://www.amazon.com/SnuggEase-Washable-Dog-Diaper-XX-Large/dp/B001VMUV0U> (Year: 2012).*

“Vet’s best Comfort Fit Dog Diapers.” Found online Apr. 10, 2019 at www.amazon.com. Product reviewed Aug. 26, 2015. Retrieved from URL: https://www.amazon.com/dp/B00STRWFOU/ref=psdc_2975408011_t4_B001VMUV0U (Year: 2015).*

* cited by examiner

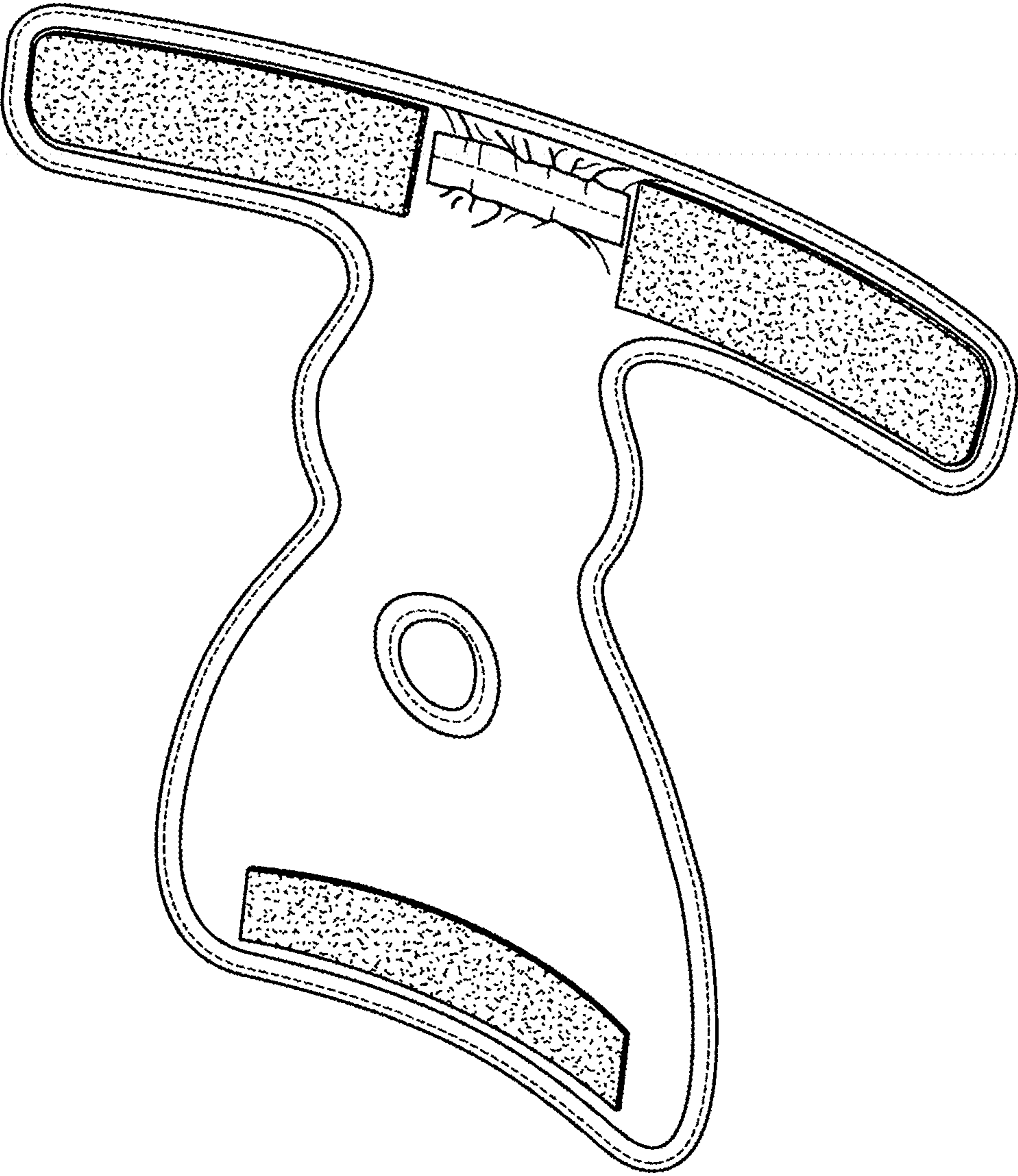


FIG. 1

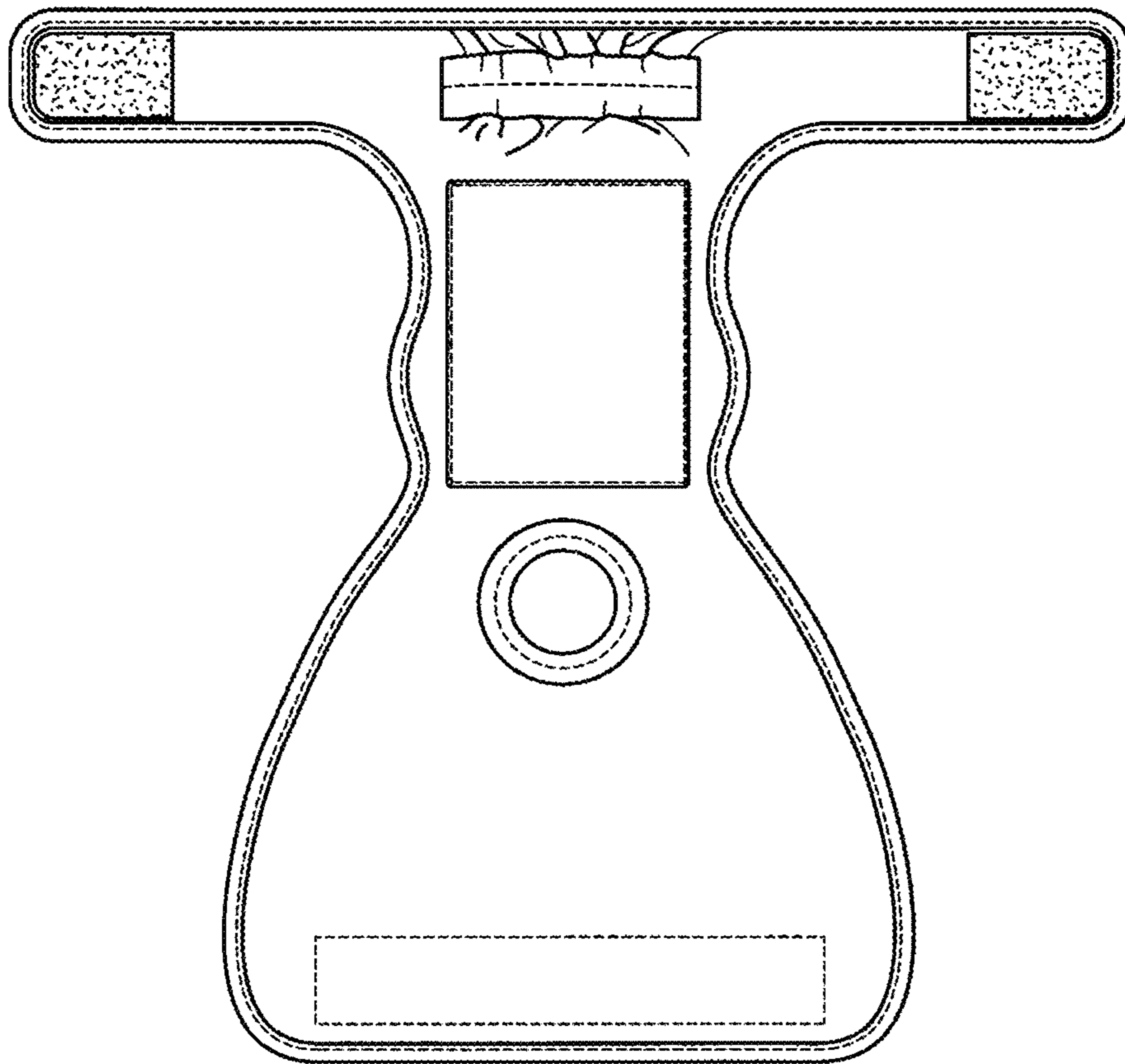


FIG. 2

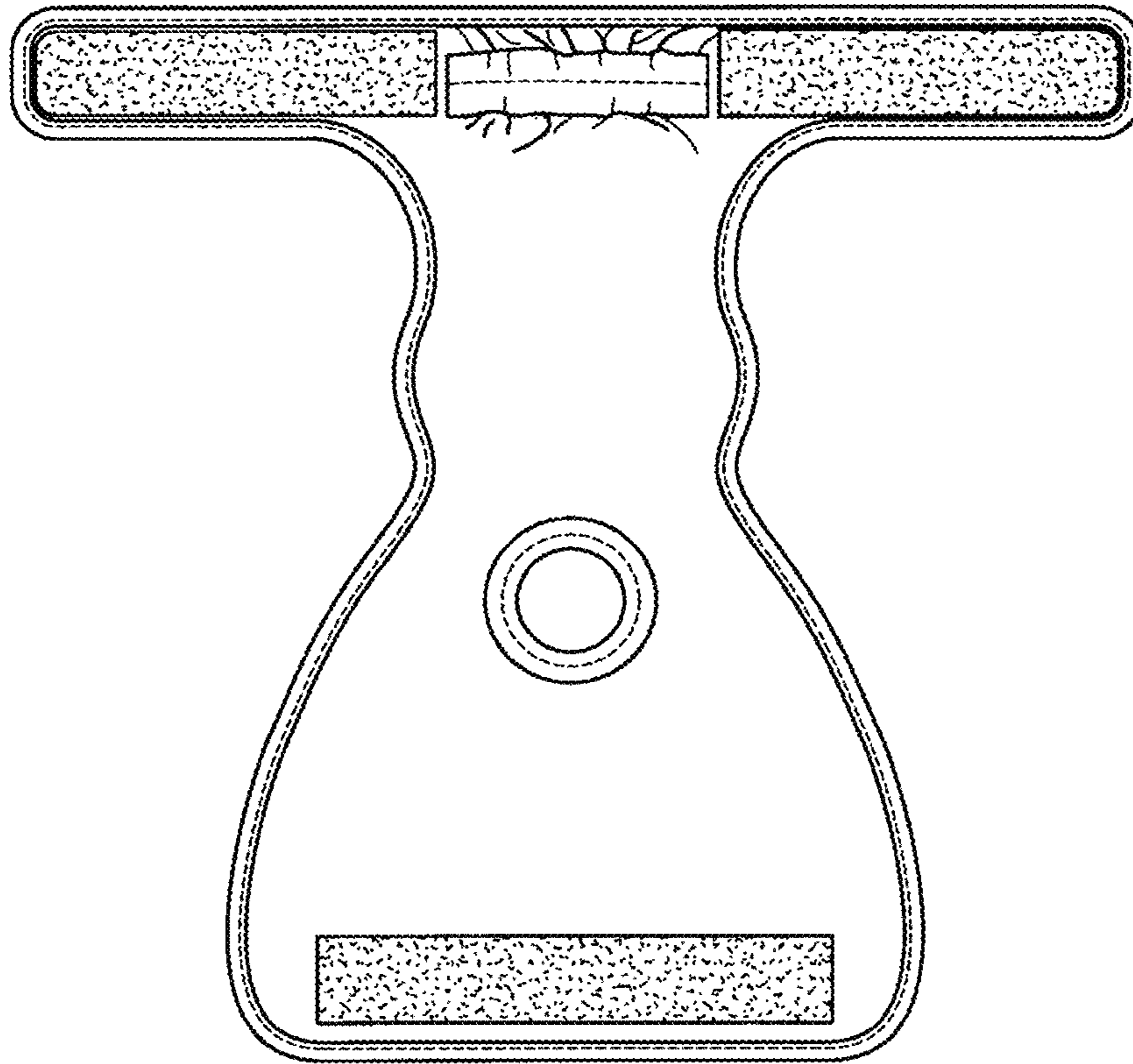


FIG. 3



FIG. 4



FIG. 5

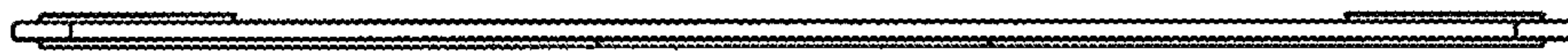


FIG. 6

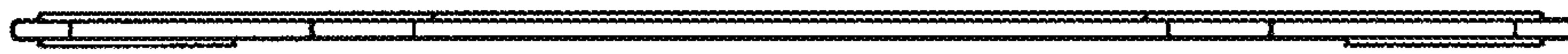


FIG. 7

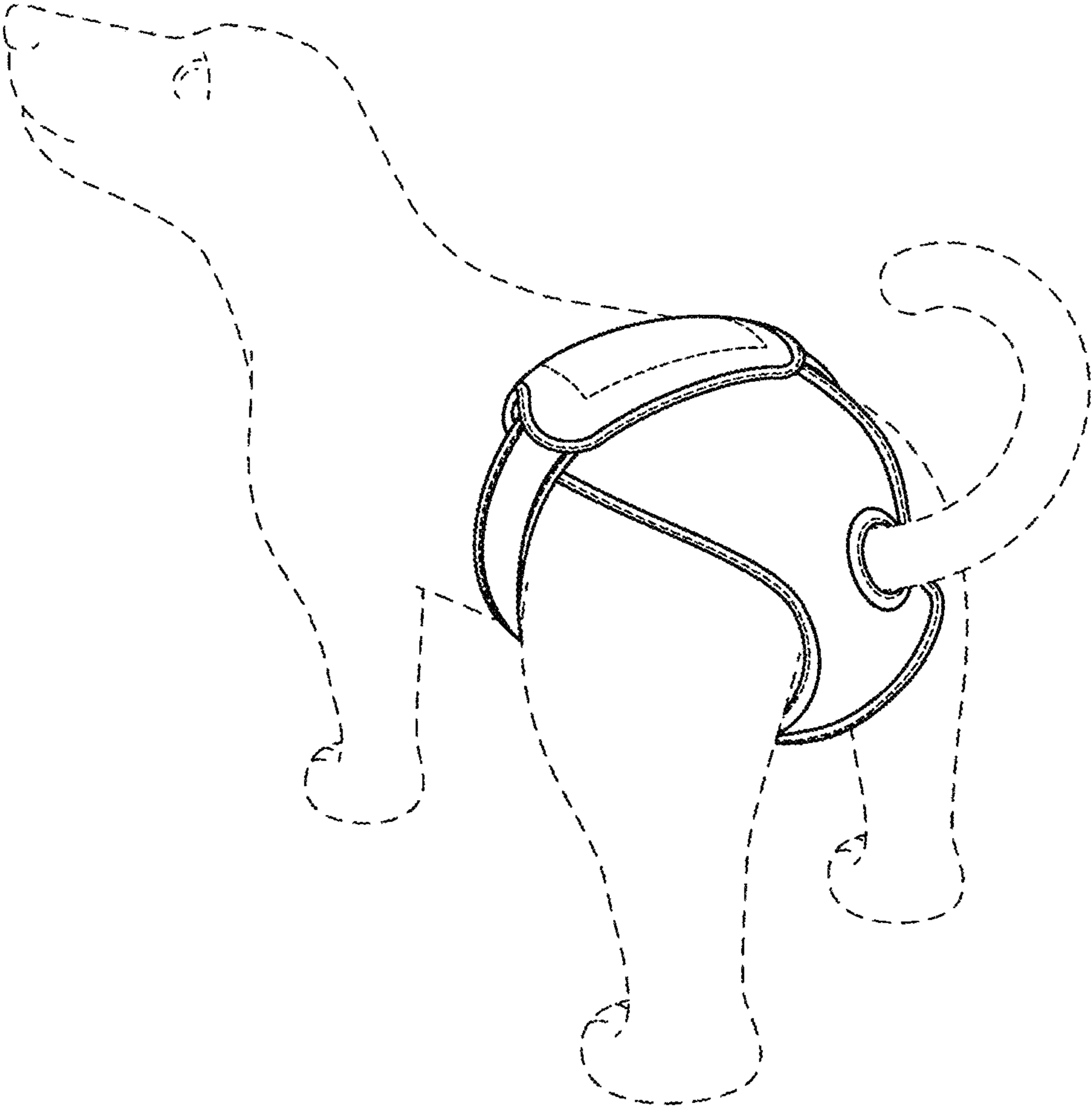


FIG. 8