



US00D874065S

(12) **United States Design Patent**
Bui

(10) **Patent No.:** **US D874,065 S**
(45) **Date of Patent:** **** Jan. 28, 2020**

(54) **HEARING PROTECTOR**

(71) Applicant: **3M INNOVATIVE PROPERTIES COMPANY**, St. Paul, MN (US)

(72) Inventor: **Van Cuong Bui**, Jönköping (SE)

(73) Assignee: **3M Innovative Properties Company**, St. Paul, MN (US)

(**) Term: **15 Years**

(21) Appl. No.: **29/643,875**

(22) Filed: **Apr. 12, 2018**

(51) **LOC (12) Cl.** **29-02**

(52) **U.S. Cl.**
USPC **D29/112; D14/205**

(58) **Field of Classification Search**
USPC D29/100, 102, 105, 106, 108, 112, 122;
D14/205, 206, 223
CPC A42B 3/16; A42B 3/163; A42B 3/166;
A61F 11/06; A61F 11/08; A61F 11/10;
A61F 11/12; A61F 11/14; A61F
2011/085; H04R 1/10; H04R 1/1008;
H04R 1/1016; H04R 1/105; H04R
1/1058; H04R 1/1066; H04R 1/1075;
H04R 1/1083; H04R 5/0335; H04R
25/652; H04R 25/654; H04R 25/656;
A63B 71/10

See application file for complete search history.

(56) **References Cited**

U.S. PATENT DOCUMENTS

2,883,671 A * 4/1959 Hornickel A61F 11/14
2/209

2,981,958 A * 5/1961 Wadsworth A61F 11/14
2/209

3,051,961 A * 9/1962 Clark A61F 11/14
2/209

D298,670 S * 11/1988 Palmaer D14/205

D313,092 S * 12/1990 Nilsson D14/205

D375,584 S * 11/1996 Westerdal D29/112

D385,665 S * 10/1997 Westerdal D29/112

D390,564 S * 2/1998 Savona D14/205

D403,126 S * 12/1998 Scanlon D29/112

D411,200 S * 6/1999 Almquist D14/192

D413,413 S * 8/1999 Dillon D14/205

D427,382 S * 6/2000 Leight D29/112

D434,191 S * 11/2000 Emilsson D29/112

D459,033 S * 6/2002 Dix D29/112

D459,034 S * 6/2002 Dix D29/112

D465,616 S * 11/2002 Nilsson A61F 11/14
D29/112

D651,764 S * 1/2012 Gresko A61F 11/14
D29/112

D663,900 S * 7/2012 Karlsson A61F 11/14
D29/112

D735,419 S * 7/2015 Rose D29/112

D747,557 S * 1/2016 Bonney D29/112

D752,816 S * 3/2016 Fletcher D29/112

D753,884 S * 4/2016 Bonney D29/112

D764,717 S * 8/2016 Fletcher D29/112

D766,520 S * 9/2016 Fletcher D29/112

(Continued)

Primary Examiner — Elizabeth J Oswecki
(74) *Attorney, Agent, or Firm* — Katherine M. Scholz;
Dena M. Ehrich

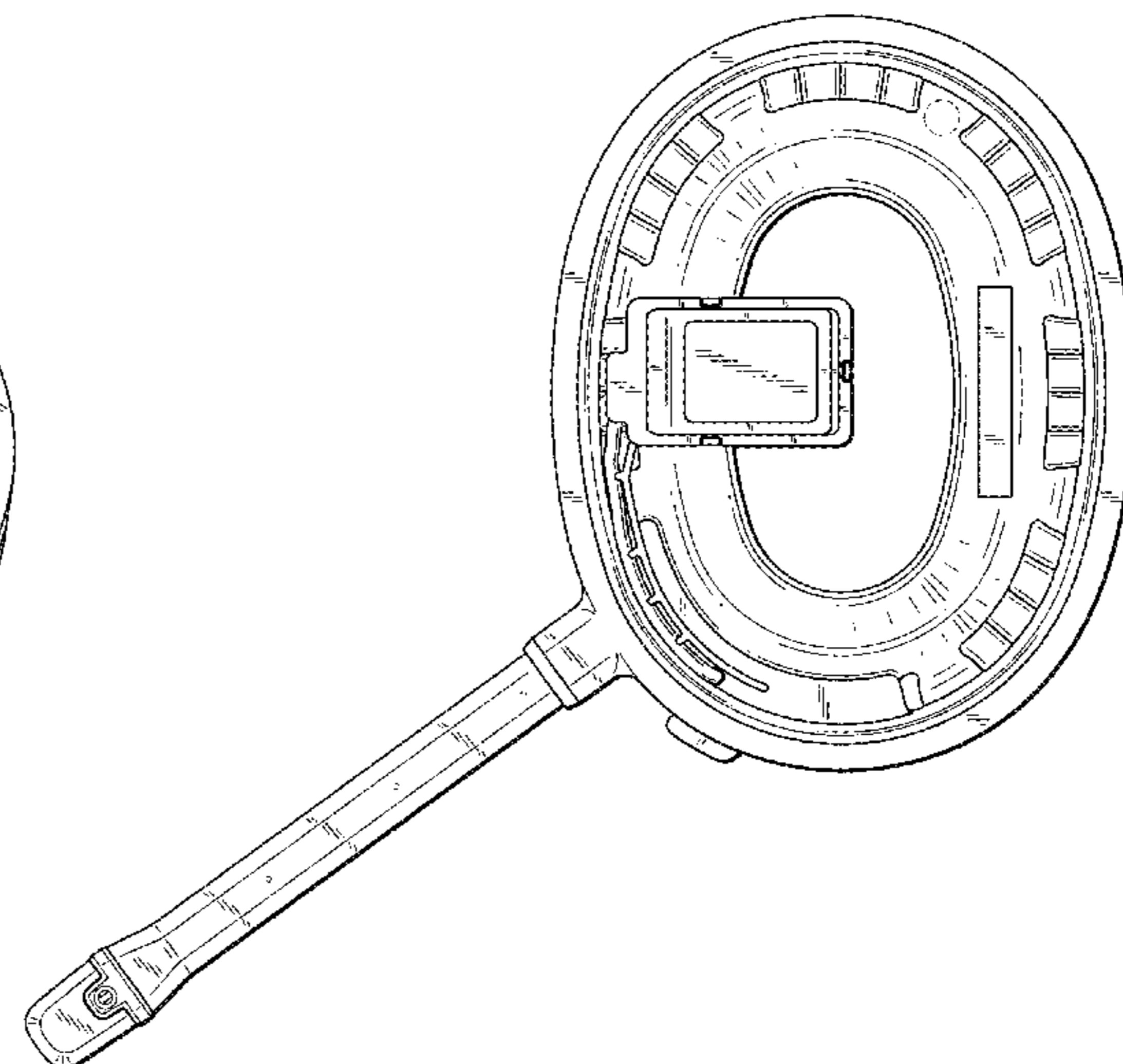
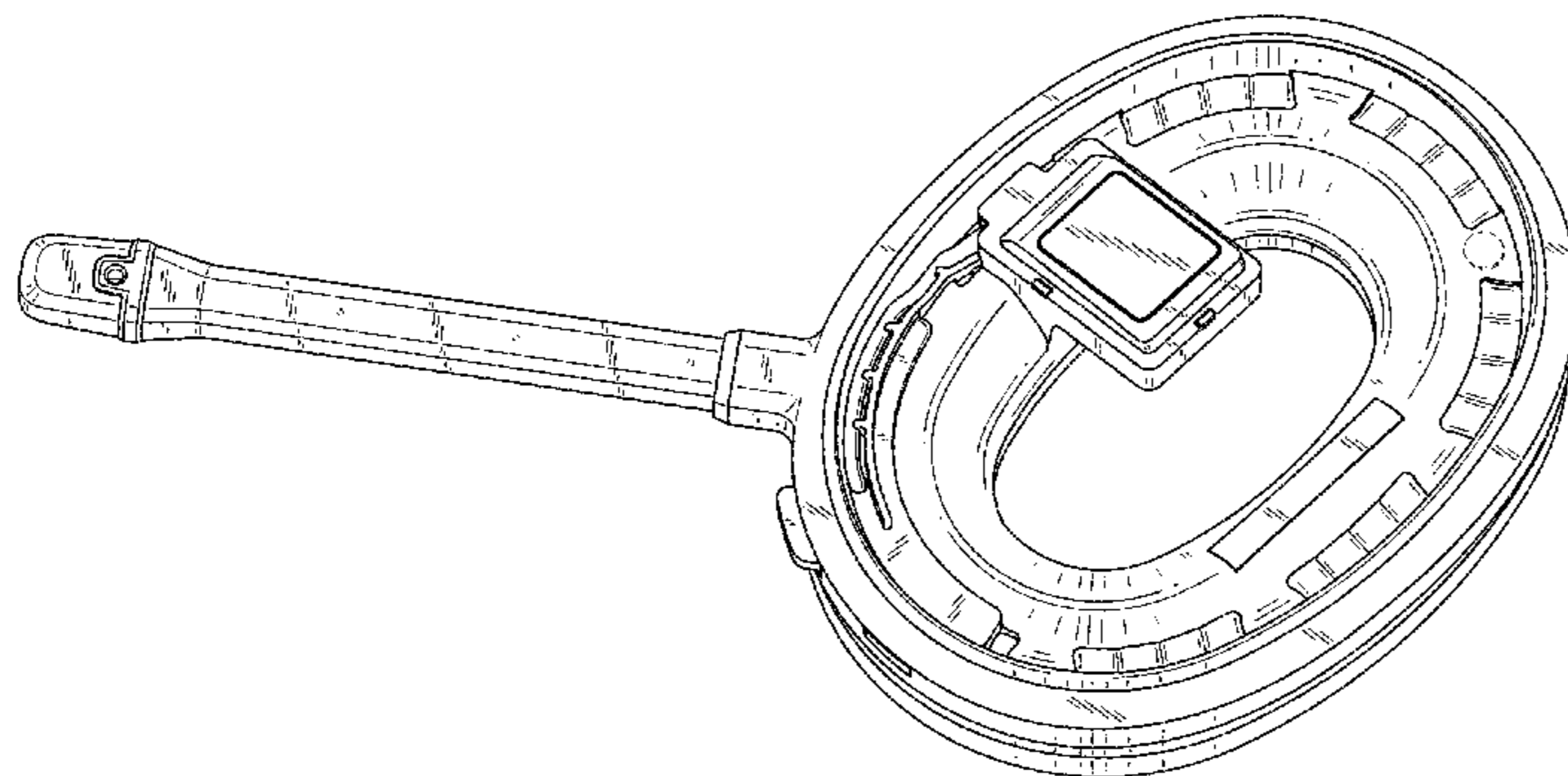
(57) **CLAIM**

The ornamental design for a hearing protector, as shown and described.

DESCRIPTION

FIG. 1 is a perspective view of a hearing protector showing my new design;
FIG. 2 is a front view thereof;
FIG. 3 is a rear view thereof;
FIG. 4 is a top view thereof;
FIG. 5 is a bottom view thereof;
FIG. 6 is a side view thereof; and,
FIG. 7 is another side view thereof.

1 Claim, 5 Drawing Sheets



(56)

References Cited

U.S. PATENT DOCUMENTS

D789,615 S *	6/2017	Pratley	D29/112
D805,697 S *	12/2017	Pratley	D29/112
D807,584 S *	1/2018	Fletcher	D29/112
D821,653 S *	6/2018	Pratley	D29/112
D834,260 S *	11/2018	Garcia Mansilla	D29/112
D848,396 S *	5/2019	Wilson	D14/205
D848,679 S *	5/2019	Wilson	D29/112
D851,839 S *	6/2019	Scanlon	D29/112

* cited by examiner

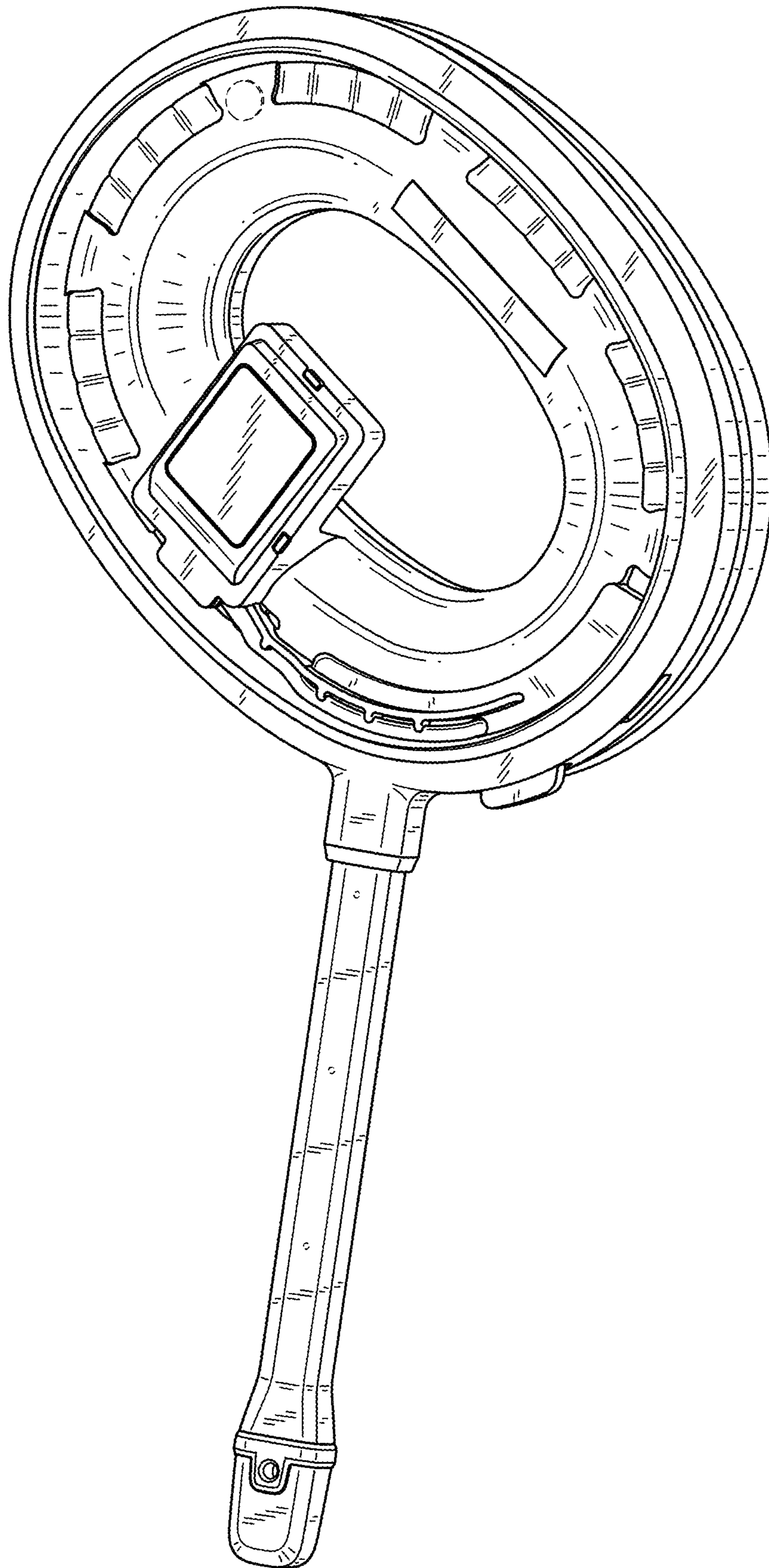


FIG. 1

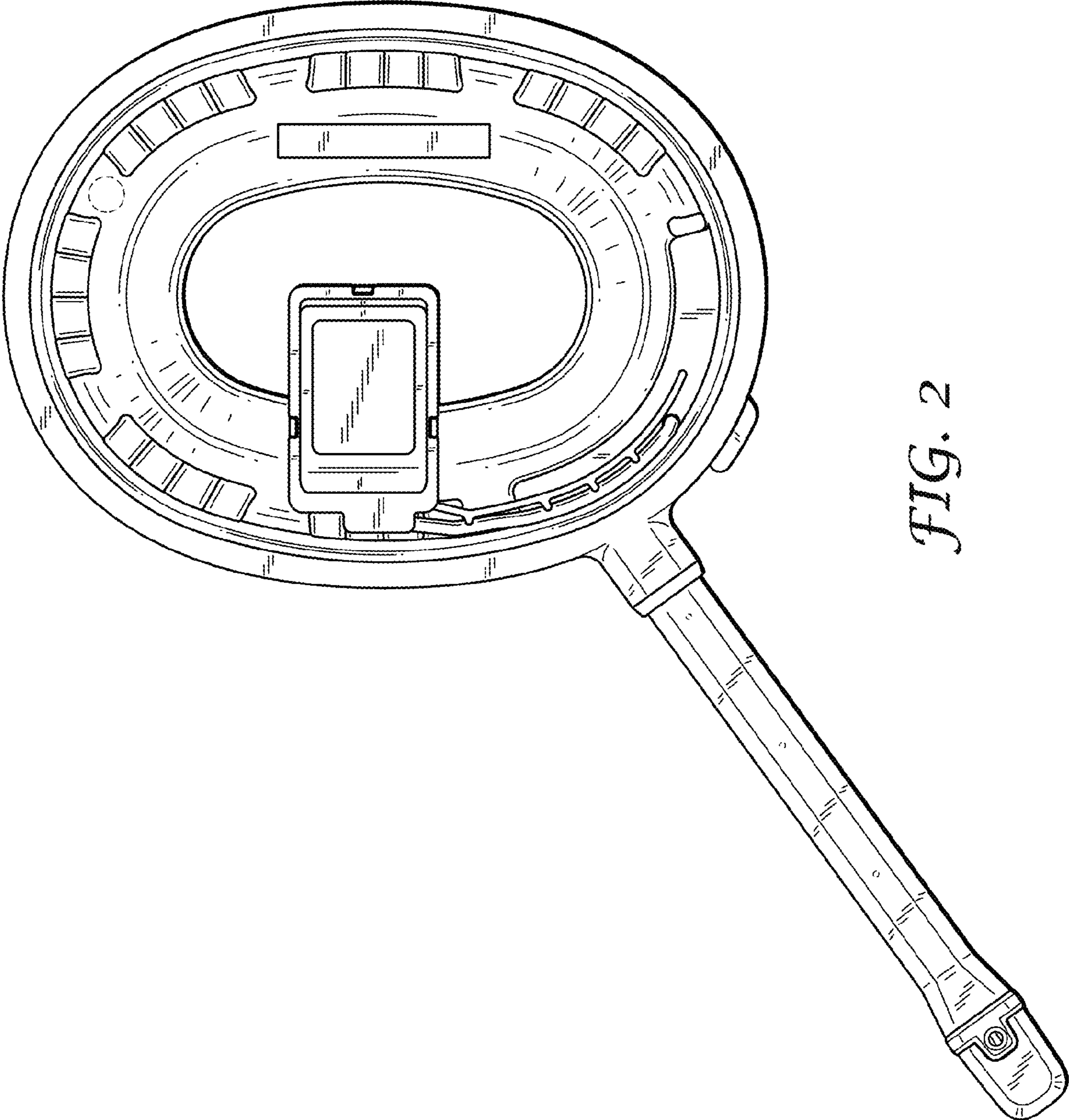


FIG. 2

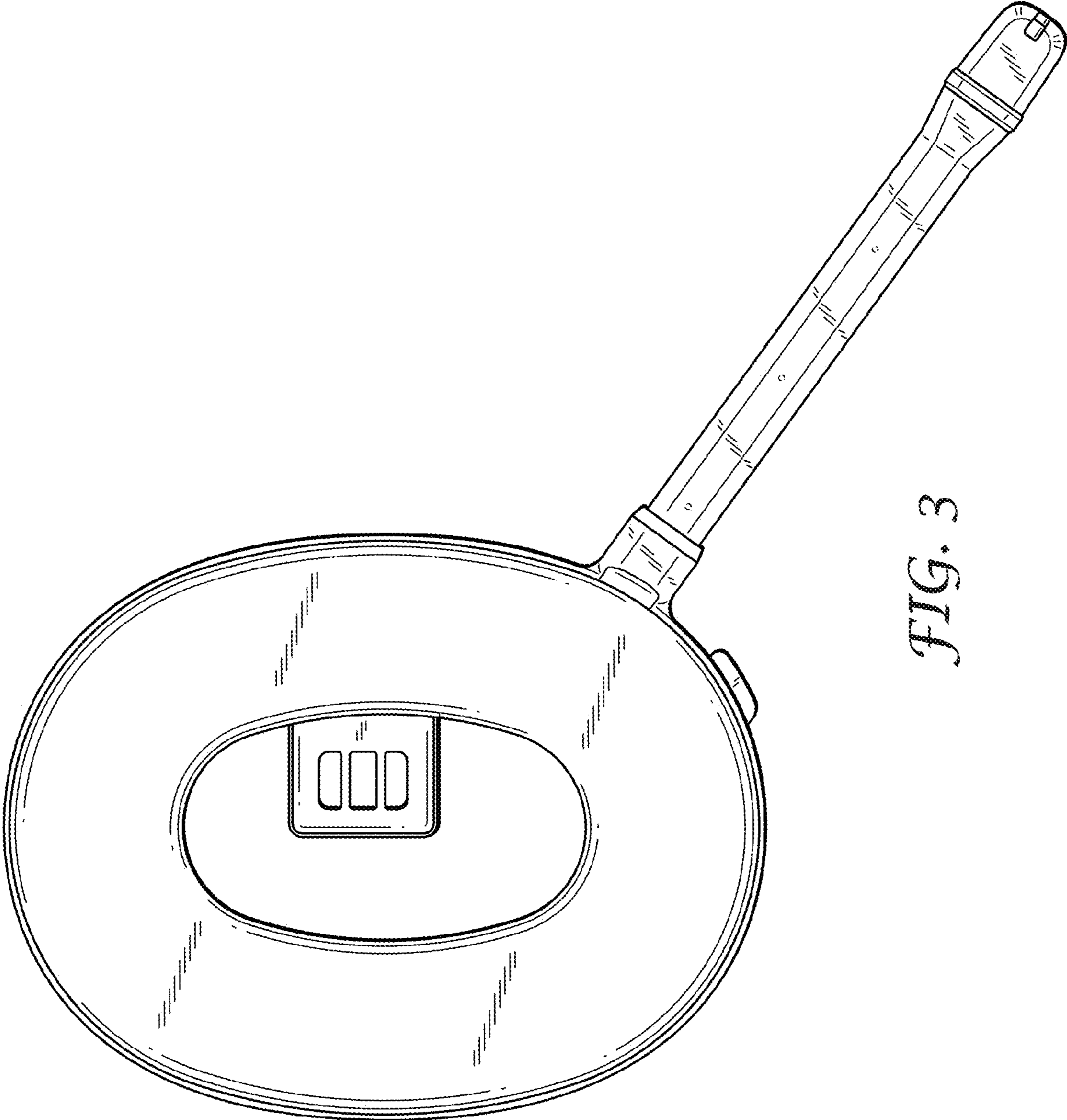


FIG. 3

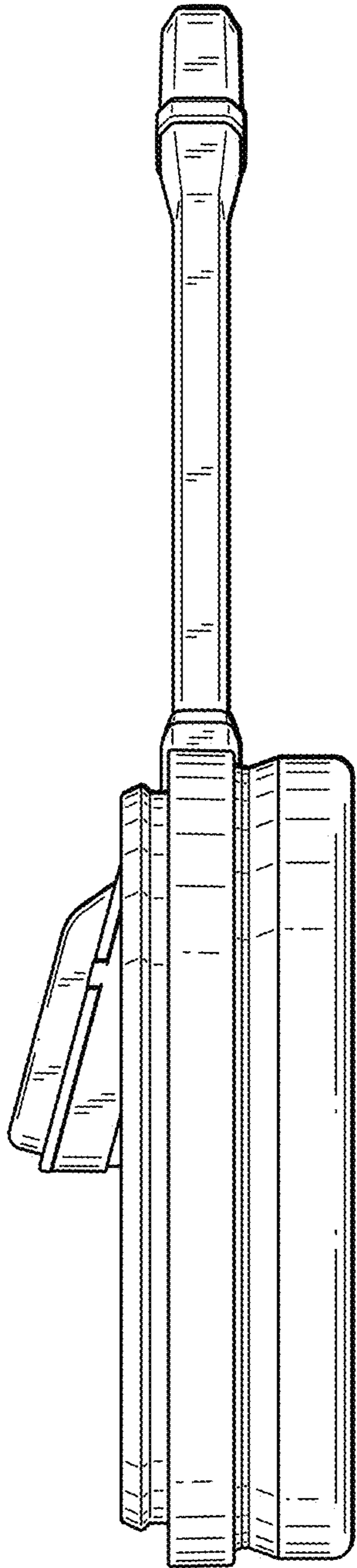


FIG. 4

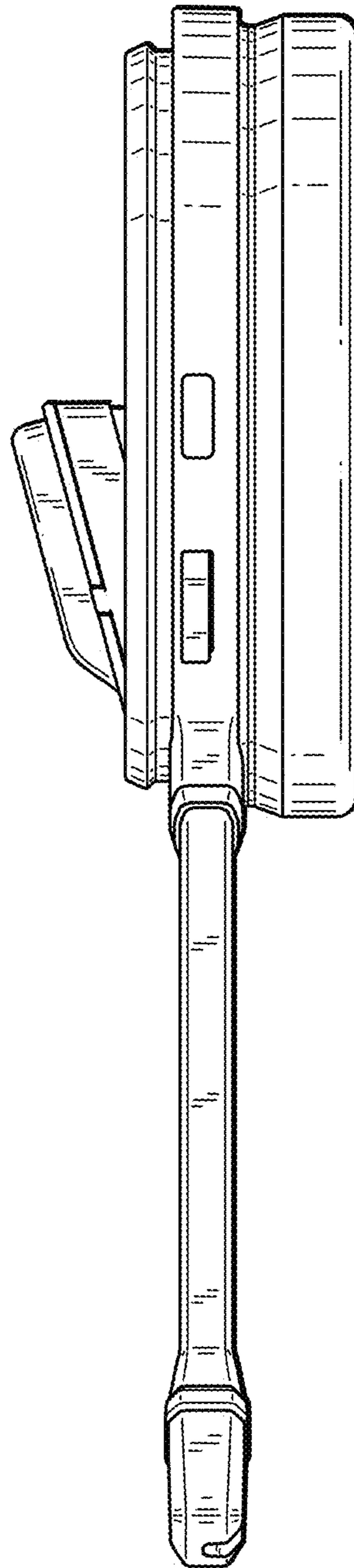


FIG. 5

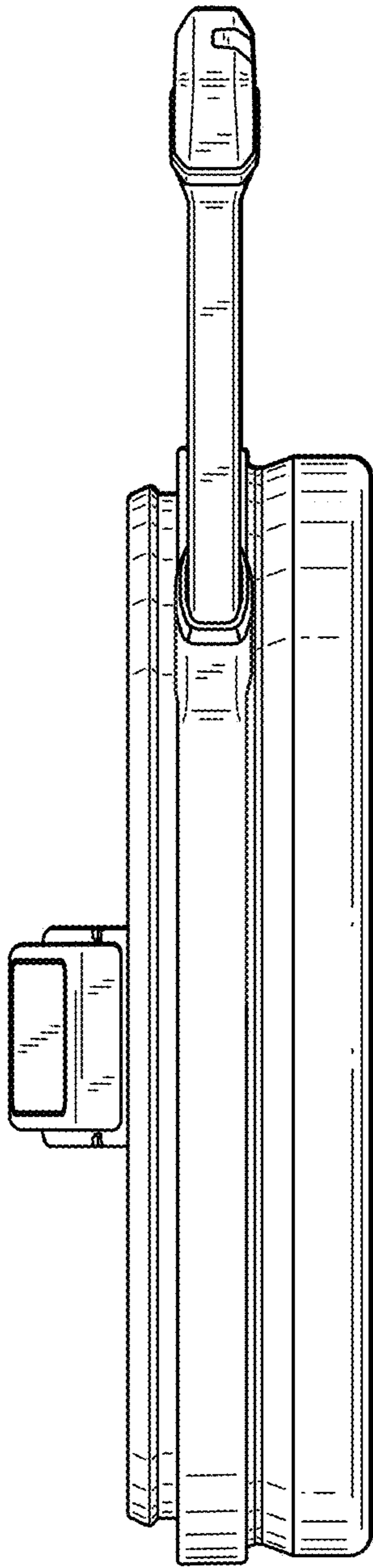


FIG. 6

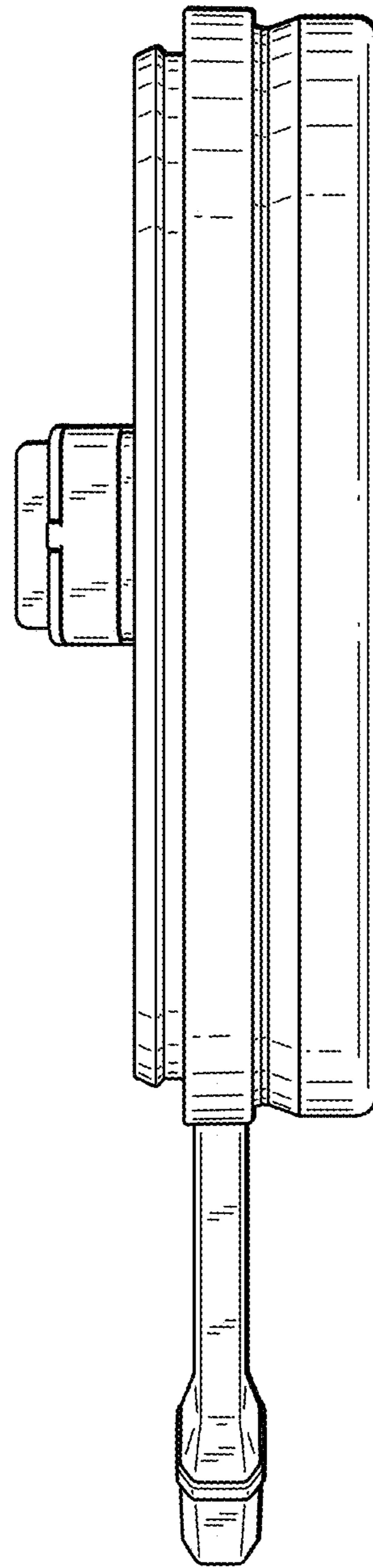


FIG. 7

UNITED STATES PATENT AND TRADEMARK OFFICE
CERTIFICATE OF CORRECTION

PATENT NO. : D874,065 S
APPLICATION NO. : 29/643875
DATED : January 28, 2020
INVENTOR(S) : Cuong Bui

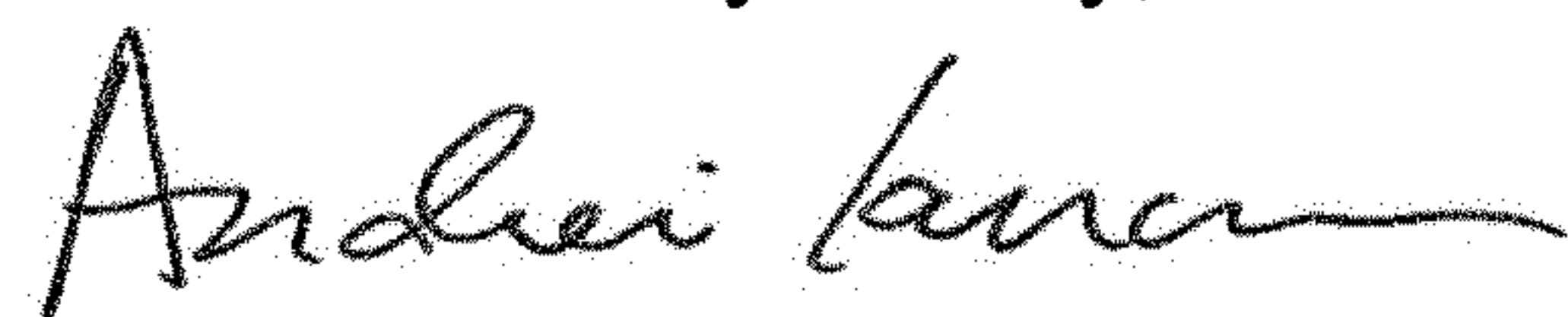
Page 1 of 1

It is certified that error appears in the above-identified patent and that said Letters Patent is hereby corrected as shown below:

On the Title Page

Line 10 (approx.), below "Apr. 12, 2018" insert Item (30) -- Foreign Application Priority
Data Oct. 13, 2017 (EM) 001461602 --, as a new entry.

Signed and Sealed this
Seventh Day of July, 2020



Andrei Iancu
Director of the United States Patent and Trademark Office